

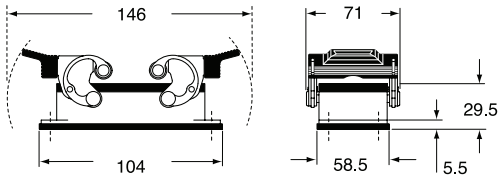
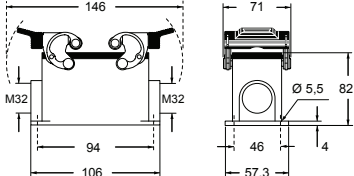



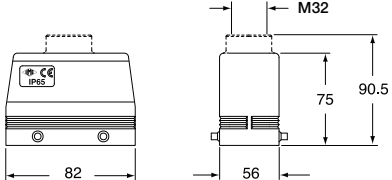
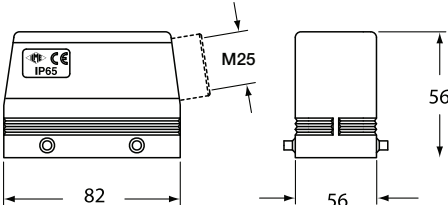
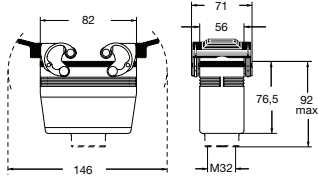




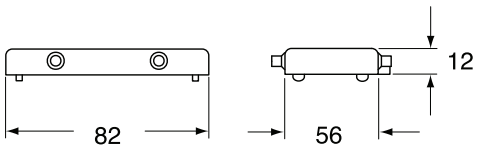
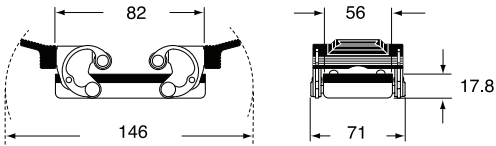
CH-MH-MA Enclosures

Size 66.40

CHI 50	MHP 50.232
	
	


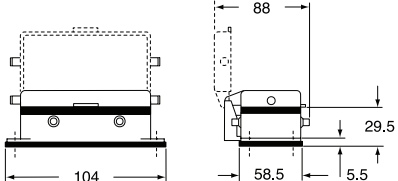

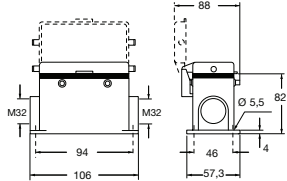
MAV 50.32 (high construction)	MHO 50.25	MAV 50 G32
		
		


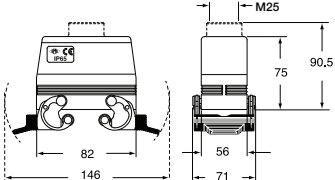

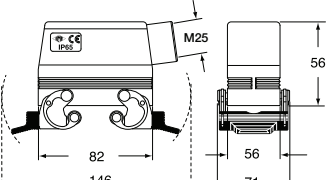
5

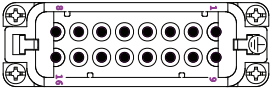
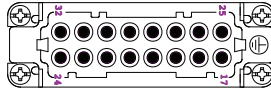
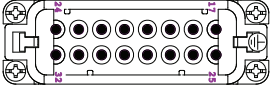
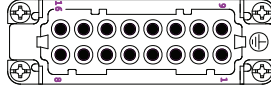
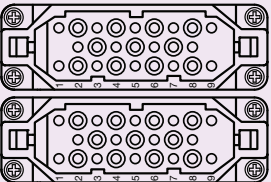
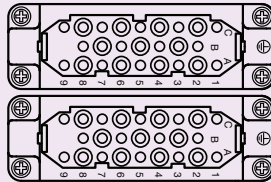
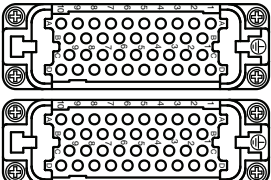
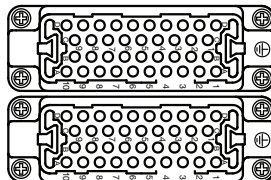
CHC 50	CHC 50 G
	
	

CH-MH-MA Enclosures

Size 66.40

CHI 50 CS	MHP 50 CS232
 	 

MAV 50 X25	MHO 50 X25
 	 

Male Inserts		Female Inserts	
<p>CDAM 16 16 Pin (1-16) 16 amp 400 volt</p>		<p>CDAF 16 16 Pin (1-16) 16 amp 400 volt</p>	
<p>CDAM 16 N 16 Pin (17-32) 16 amp 400 volt</p>		<p>CDAF 16 N 16 Pin (17-32) 16 amp 400 volt</p>	
<p>CDM 25 x 2 (inserts) 50 Pin 10 amp 250 volt (crimp)</p>		<p>CDF 25 x 2 (inserts) 50 Pin 10 amp 250 volt (crimp)</p>	
<p>CDDM 38 x 2 (inserts) 76 Pin 10 amp 250 volt (crimp)</p>		<p>CDDF 38 x 2 (inserts) 76 Pin 10 amp 250 volt (crimp)</p>	

All dimensions in mm. For crimp pins refer to page 354.