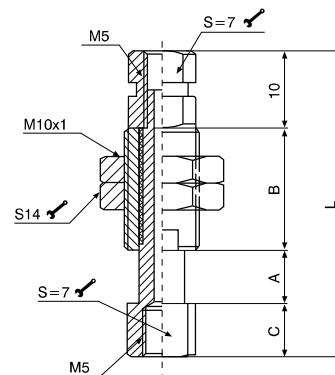


## Series 1900

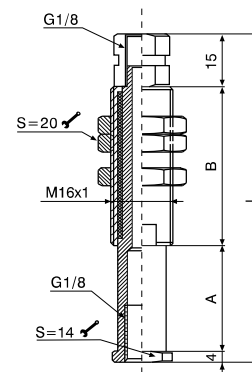
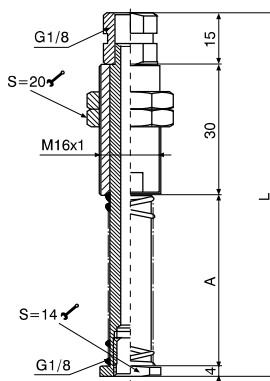
### Standard level compensator M5 - internal spring



Code	A	B	C	L	Weight (gr.)
19P05.S.07.I	7	19	7	43	18.7
19P05.S.15.I	15	23	27	75	28.2
19P05.S.20.I	20	36	7	73	28.8

The standard level compensator M5 makes it possible to compensate for differences in height when the gripping system has to deal with objects of different heights, simplifies accurate positioning on vacuum systems, and makes it possible to position the suction cups on fragile items.

### Standard level compensator G1/8" – internal and external spring

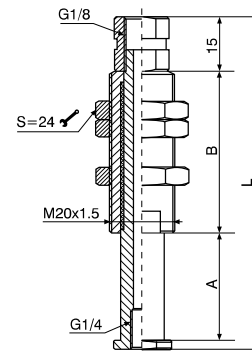
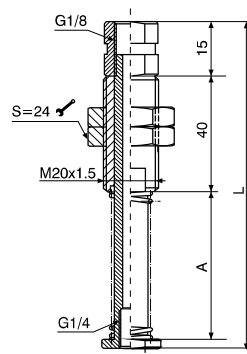


Code	A	L	Weight (gr.)
19P18.S.10.E	20	69	85
19P18.S.20.E	35	84	98
19P18.S.30.E	50	99	111.5
19P18.S.50.E	70	119	123.3

Code	A	B	L	Weight (gr.)
19P18.S.10.I	10	25	54	59.1
19P18.S.20.I	20	35	74	76.3
19P18.S.30.I	30	45	94	103.1
19P18.S.50.I	50	65	134	140.1

The standard level compensator G1/8" makes it possible to compensate for differences in height when the gripping system has to deal with objects of different heights, simplifies accurate positioning on vacuum systems, and makes it possible to position the suction cups on fragile items.

### Standard level compensator G1/4" – internal and external spring



Code	A	L	Weight (gr.)
19P14.S.10.E	20	80	152.6
19P14.S.20.E	35	95	172.5
19P14.S.30.E	50	110	194
19P14.S.50.E	70	130	218.3

Code	A	B	L	Weight (gr.)
19P14.S.10.I	10	25	55	84.8
19P14.S.20.I	20	35	75	110.3
19P14.S.30.I	30	45	95	145.3
19P14.S.50.I	50	65	135	191.6