



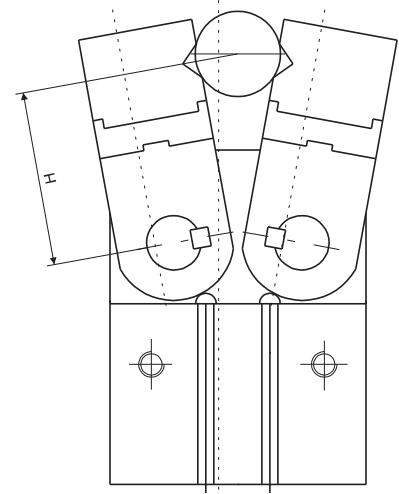
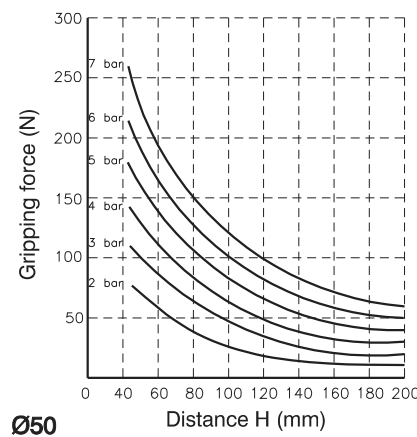
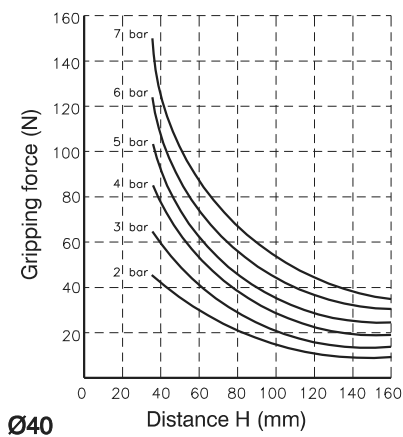
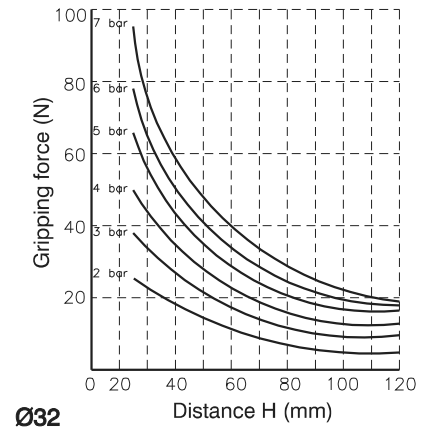
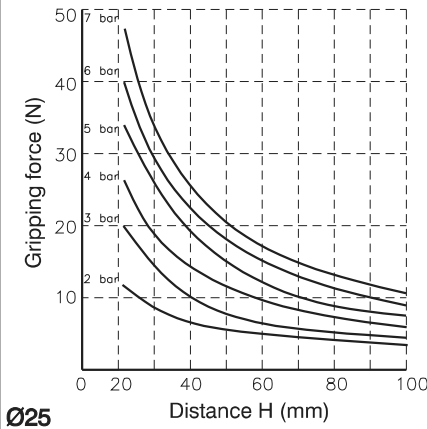
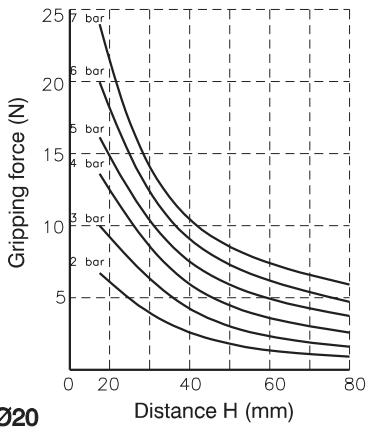
Operating criteria

Gripping force

NOTE:

Bore selection should be made considering a holding force 10 to 20 times the component weight.
 In case of acceleration/deceleration a further margin of safety should be considered.

Bore	Ø20	Ø25	Ø32	Ø40	Ø50
(Nm)	0,3	0,7	1,6	3,7	8,3



► Parallel style pneumatic grippers - Standard version



Ordering code

6310.Ø

10
16
20
25

D = Double acting
NC = Single acting (normally closed)
NO = Single acting (normally open)

Construction characteristics

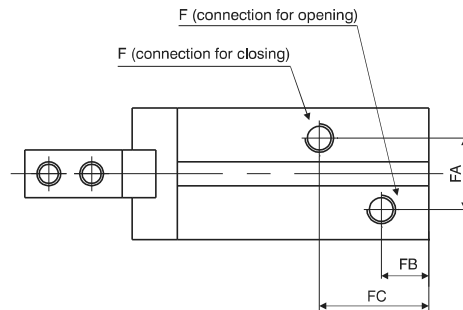
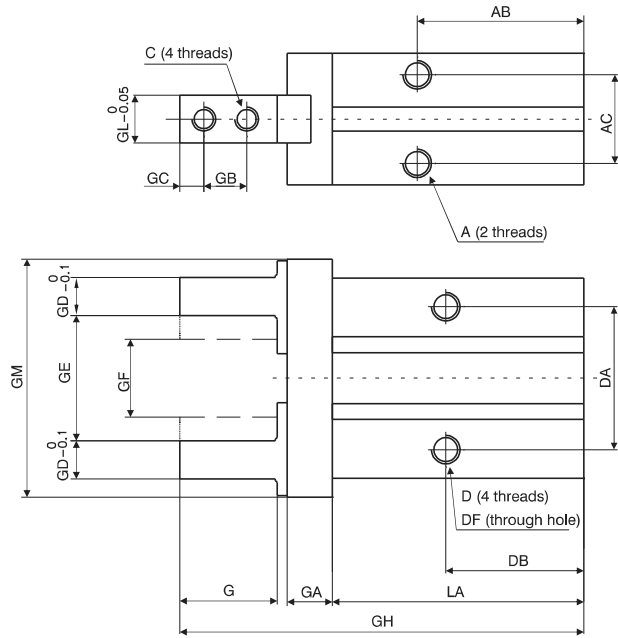
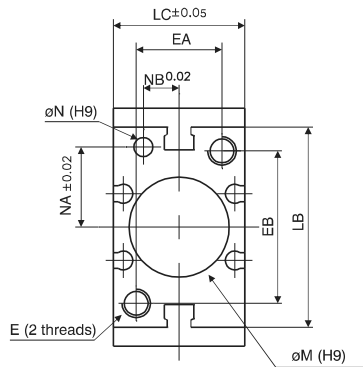
Body	anodised aluminium
Piston	aluminium or stainless steel (depending on the bore)
Fingers	steel
End cap	anodised aluminium
Seals	oil resistant NBR rubber

Operational characteristics

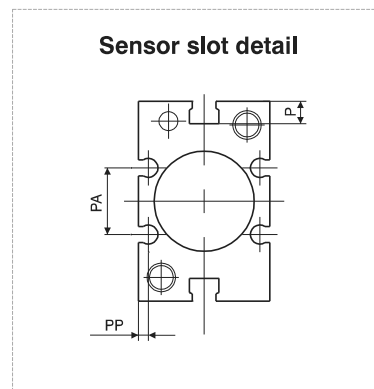
Fluid	Filtered air. No lubrication needed, if applied it shall be continuous.
Working pressure	double acting : 2 - 7 bar (for Ø10) - 1 - 7 (for other bores) single acting : 3.5 - 7 bar (for Ø10) - 2.5 - 7 (for other bores)
Operating temperature	-5°C - +70°C
Maximum operating frequency	from Ø10 to Ø25, 180 cycles/minute



Overall dimensions

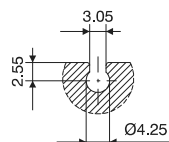


Bore		Ø10	Ø16	Ø20	Ø25
A		M3x0,5	M4x0,7	M5x0,8	M6x1
	Useful depth	6	4,5	8	10
AB		27	30	35	36,5
AC		11,4	16	18,6	22
C		M2,5x0,45	M3x0,5	M4x0,7	M5x0,8
D		M3x0,5	M4x0,7	M5x0,8	M6x1
	Useful depth	5,5	8	10	12
DA		16	24	30	36
DB		23	24,5	29	30
ØDF		2,6	3,4	4,3	5,1
E		M3x0,5	M4x0,7	M5x0,8	M6x1
	Useful depth	6	8	10	12
EA		12	15	18	22
EB		18	22	32	40
F		M3x0,5	M5x0,8	M5x0,8	M5x0,8
FA		11	13	15	20
FB		9	7,5	10	10,7
FC		19	19	23	23,5
G		12	15,5	20	25
GA		6	7,5	9,5	11
GB		5,7	7	9	12
GC		3	4	5	6
GD		4	5	8	10
GE		15,2	20,9	26,3	33,3
GF		11,2	14,9	16,3	19,3
GH		57	67,5	84,8	102,7
GL		5	8	10	12
GM		29	38	50	63
LA		37,8	42,5	52,8	63,6
LB		23	30,6	42	52
LC		16,4	23,6	27,6	33,6
ØM ^{H9}		11	17	21	26
	Useful depth	2	2	3	3,5
ØN ^{H9}		2	3	4	4
	Useful depth	3	3	4	4
NA		7,6	11	16,8	21,8
NB		5,2	6,5	7,5	10
P		5,4	5,8	9	11,5
PA		/	11,6	14	19
PB		/	2,1	2,1	2,5



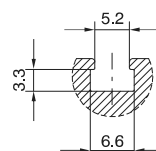
Ø16 - Ø25

Sensor slot detail type "C"



Ø10 - Ø25

Sensor slot detail type "B"



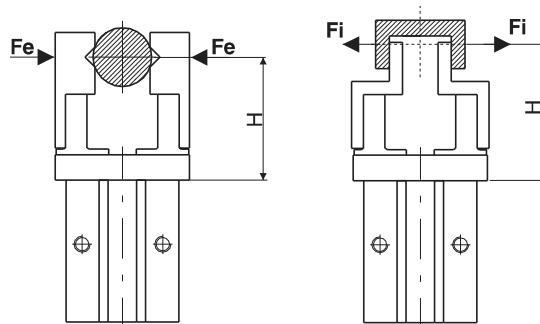


Operating criteria

Holding force (N) (pressure 5 bar, holding point H=20 half stroke)

Version	Force	Bore			
		Ø10	Ø16	Ø20	Ø25
Double acting	Fe	9,8	30	42	65
	Fi	17	40	66	104
Single acting	N.O.	6,3	24	28	45
	N.C.	12	31	56	83

Fe = external holding force Fi = internal holding force



EXTERNAL HOLD

INTERNAL HOLD

