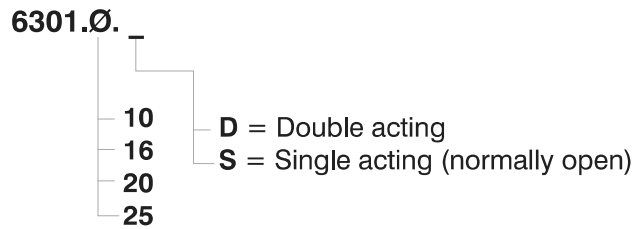




► Pneumatic grippers, angular - Standard version



Ordering code



Construction characteristics

Body	anodised aluminium
Piston	AISI 303 stainless steel
Fingers	nitrate steel
End cap	anodised aluminium
Seals	oil resistant NBR rubber

Operational characteristics

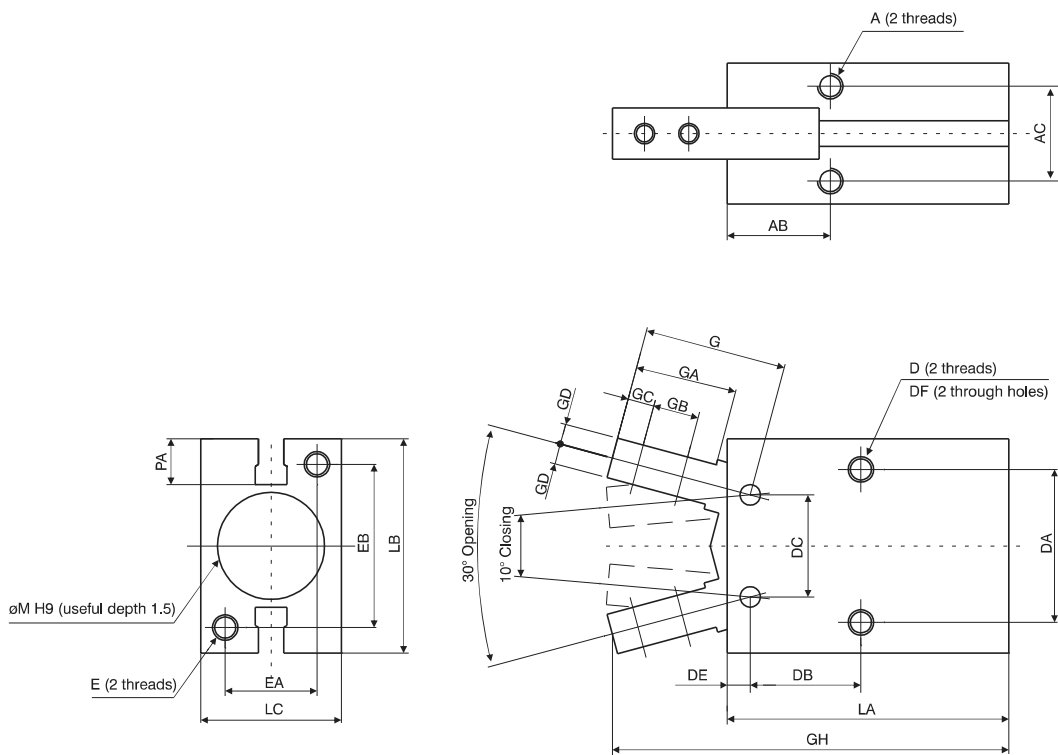
Fluid	Filtered air. No lubrication needed, if applied it shall be continuous.		
Working pressure	1 - 6 bar (double acting) - 2.5 - 6 bar (single acting)		
Operating temperature	-5°C - +70°C		
Opening total stroke	-10° - 30°		
Holding force (Nm) at 5 bar	Bore - Double acting - Single acting		
	Ø10	0.1	0.07
	Ø16	0.4	0.30
	Ø20	0.7	0.55
	Ø25	1.35	1.08
Maximum operating frequency	from Ø10 to Ø25, 190 cycles/minute		

PNEUMATIC ACTUATION

3



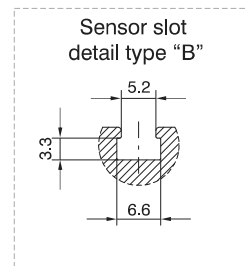
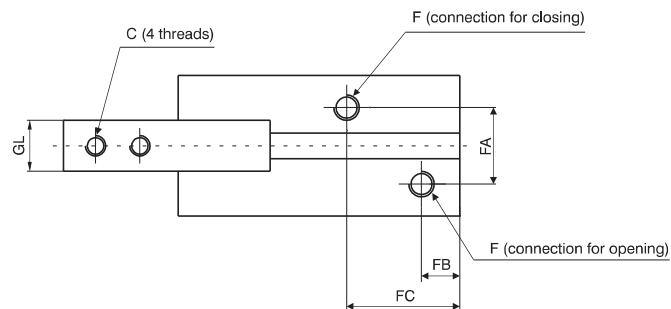
Overall dimensions



3

PNEUMATIC ACTUATION

Bore	Ø10	Ø16	Ø20	Ø25
A	M3x0,5	M4x0,7	M5x0,8	M6
	Useful depth 6	6,5	8	10
AB	11,6	14,6	20,2	23,9
AC	11,4	16	18,6	22
C	M2,5x0,45	M3x0,5	M4x0,7	M5x0,8
	Useful depth 5	8	10	12
DA	16	24	30	36
DB	12,8	16,2	21,7	25,8
DC	10	16	20	25
DE	2,8	3,9	4,5	4,6
DF	2,6	3,4	4,3	5,1
E	M3x0,5	M4x0,7	M5x0,8	M6
	Useful depth 6	8	10	12
EA	12	15	18	22
EB	18	22	32	40
F	M3x0,5	M5x0,8	M5x0,8	M5x0,8
FA	11	13	15	20
FB	7,2	7	7,5	7,7
FC	18,8	18,3	22,2	23,5
G	17,2	22,6	28	37,5
GA	12	16	20	27
GB	5,7	7	9	12
GC	3	4	5,2	8
GD	2	3,5	4	5
GH	52,4	62,5	78,7	92
GL ^{0/-0,1}	6,4	8	10	12
LA	38,6	44,6	55,2	60,4
LB	23	30,6	42	52
LC	16,4	23,6	27,6	33,6
M ^{H9}	11	17	21	26
PA	5,4	5,8	9	11,5





Gripping force 5 bar (Nm)

Bore	Ø10	Ø16	Ø20	Ø25
Double acting (Nm)	0,1	0,4	0,7	1,35
Single acting (Nm)	0,07	0,3	0,55	1,08

NOTE:

Bore selection should be made considering a holding force 10 to 20 times the component weight.
In case of acceleration/deceleration a further margin of safety should be considered.

