

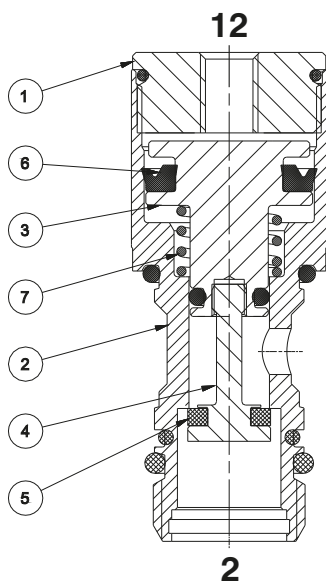
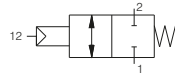
Series 50

General

The blocking valves are used to maintain pressure in the downstream part of the pneumatic circuit even when the pressure supply is shut down.  
 Blocking valves are normally assembled directly on cylinders ports in order to maintain the position even in cases of accidental loss of the pilot pressure by preventing a sudden loss of pressure in the cylinder chambers.  
 Unidirectional and bidirectional version are both available.  
 The unidirectional version allows free air to flow in one direction while requires a pneumatic signal to allow air flow in the opposite direction.  
 The bidirectional valve requires a pressure signal to allow air flow in both of the two directions.  
**The blocking valve cannot be used as safety device.**

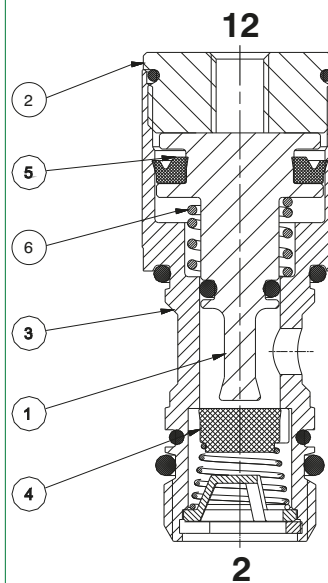
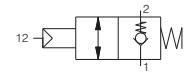
Constructive features

UNIDIRECTIONAL VERSION



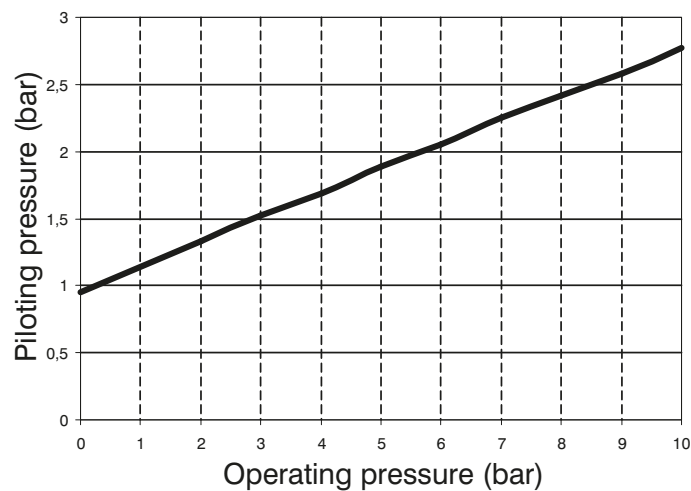
- 1 - Aluminium piston
- 2 - Brass plug
- 3 - Brass body
- 4 - FPM poppet (1/8" and 1/4" version) PUR poppet
- 5 - NBR seal
- 6 - Steel spring

BIDIRECTIONAL VERSION



- 1 - Brass plug
- 2 - Brass body
- 3 - Aluminium piston
- 4 - Steel piston extension
- 5 - PUR poppet
- 6 - NBR seal
- 7 - Steel spring

Working curves



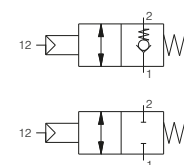
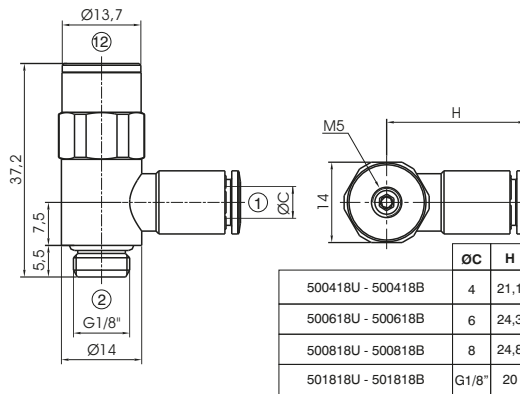
1 AIR DISTRIBUTION

**Blocking valves metal type - Size 1/8"**

Coding: 50**T**18**V**

| Operational characteristics           |  |
|---------------------------------------|--|
| Fluid                                 | Filtered air. No lubrication needed, if applied it shall be continuous |
| Max working pressure (bar)            | 0,5 ÷ 10   |
| Temperature °C                        | -5 ÷ +50   |
| Flow rate at 6 bar with Δp=1 (NI/min) | 285  |
| Flow rate with free exhaust (NI/min)  | 450  |

|          |                    |
|----------|--------------------|
| <b>T</b> | METAL TYPE         |
|          | A = Banjo only     |
|          | 04 = Banjo Ø4      |
|          | 06 = Banjo Ø6      |
|          | 08 = Banjo Ø8      |
|          | 18 = Banjo G1/8"   |
| <b>V</b> | VERSION            |
|          | U = Unidirectional |
|          | B = Bidirectional  |

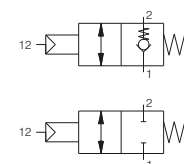
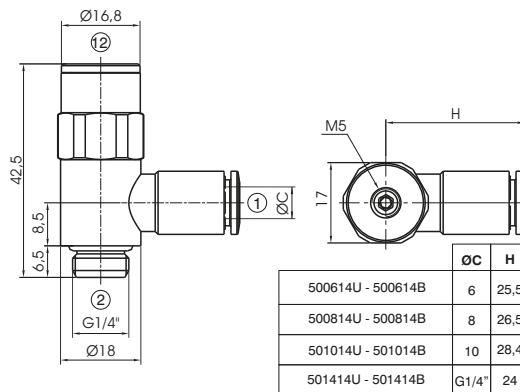


**Blocking valves metal type - Size 1/4"**

Coding: 50**T**14**V**

| Operational characteristics           |  |
|---------------------------------------|--|
| Fluid                                 | Filtered air. No lubrication needed, if applied it shall be continuous |
| Max working pressure (bar)            | 0,5 ÷ 10   |
| Temperature °C                        | -5 ÷ +50   |
| Flow rate at 6 bar with Δp=1 (NI/min) | 530  |
| Flow rate with free exhaust (NI/min)  | 800  |

|          |                    |
|----------|--------------------|
| <b>T</b> | METAL TYPE         |
|          | A = Banjo only     |
|          | 06 = Banjo Ø6      |
|          | 08 = Banjo Ø8      |
|          | 10 = Banjo Ø10     |
|          | 14 = Banjo G1/4"   |
| <b>V</b> | VERSION            |
|          | U = Unidirectional |
|          | B = Bidirectional  |

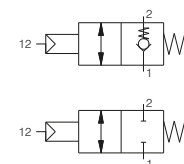
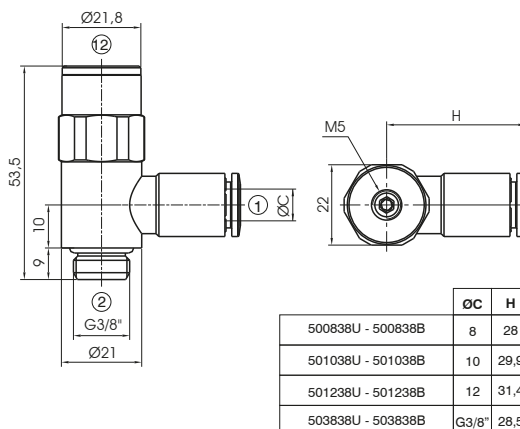


**Blocking valves metal type - Size 3/8"**

Coding: 50**T**38**V**

| Operational characteristics           |  |
|---------------------------------------|--|
| Fluid                                 | Filtered air. No lubrication needed, if applied it shall be continuous |
| Max working pressure (bar)            | 0,5 ÷ 10   |
| Temperature °C                        | -5 ÷ +50   |
| Flow rate at 6 bar with Δp=1 (NI/min) | 1000   |
| Flow rate with free exhaust (NI/min)  | 1600   |

|          |                    |
|----------|--------------------|
| <b>T</b> | METAL TYPE         |
|          | A = Banjo only     |
|          | 08 = Banjo Ø8      |
|          | 10 = Banjo Ø10     |
|          | 12 = Banjo Ø12     |
|          | 38 = Banjo G3/8"   |
| <b>V</b> | VERSION            |
|          | U = Unidirectional |
|          | B = Bidirectional  |

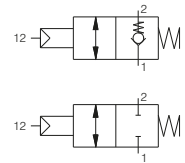
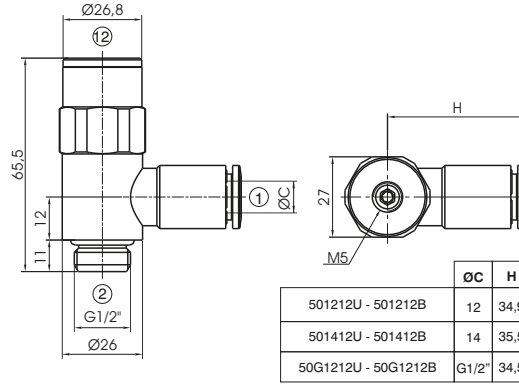


Blocking valves metal type - Size 1/2"

Coding: 50 **T** 12 **V**

| Operational characteristics                   |  |
|---|--|
| Fluid   | Filtered air. No lubrication needed, if applied it shall be continuous |
| Max working pressure (bar)                    | 0,5 ÷ 10   |
| Temperature °C                                | -5 ÷ +50   |
| Flow rate at 6 bar with $\Delta p=1$ (NI/min) | 1300   |
| Flow rate with free exhaus (NI/min)           | 2600   |

|            |                    |
|------------|--------------------|
| METAL TYPE |                    |
| <b>T</b>   | A = Banjo only     |
|            | 12 = Banjo Ø12     |
|            | G12 = Banjo G1/2"  |
| VERSION    |                    |
| <b>V</b>   | U = Unidirectional |
|            | B = Bidirectional  |



1  
AIR DISTRIBUTION



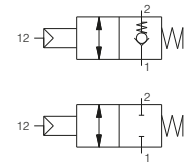
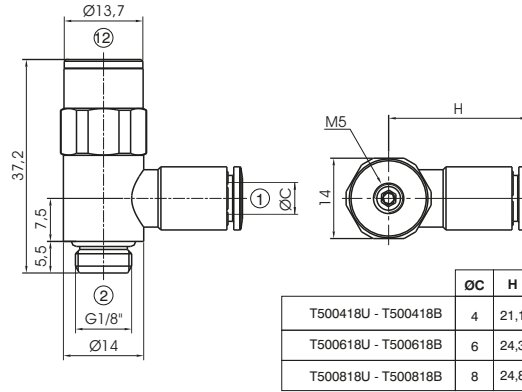
1  
AIR DISTRIBUTION

**Blocking valves technopolymer type - Size 1/8"**

Coding: T50**T**18**V**

| Operational characteristics           |  |
|---------------------------------------|--|
| Fluid                                 | Filtered air. No lubrication needed, if applied it shall be continuous |
| Max working pressure (bar)            | 0,5 ÷ 10   |
| Temperature °C                        | -5 ÷ +50   |
| Flow rate at 6 bar with Δp=1 (NI/min) | 285  |
| Flow rate with free exhaus (NI/min)   | 450  |

|             |                  |
|-------------|------------------|
| METAL TYPE  |                  |
| <b>A</b>    | = Banjo only     |
| <b>T</b> 04 | = Banjo Ø4       |
| 06          | = Banjo Ø6       |
| 08          | = Banjo Ø8       |
| VERSION     |                  |
| <b>V</b> U  | = Unidirectional |
| B           | = Bidirectional  |

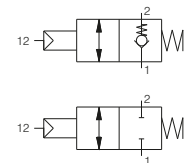
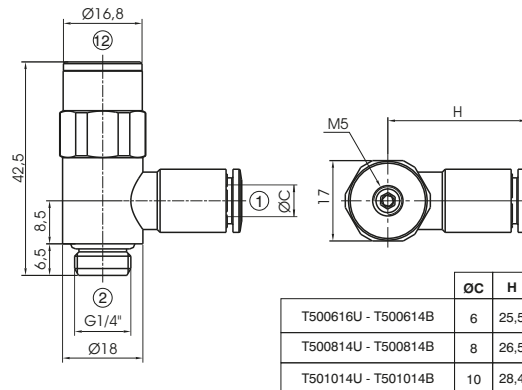


**Blocking valves technopolymer type - Size 1/4"**

Coding: T50**T**14**V**

| Operational characteristics           |  |
|---------------------------------------|--|
| Fluid                                 | Filtered air. No lubrication needed, if applied it shall be continuous |
| Max working pressure (bar)            | 0,5 ÷ 10   |
| Temperature °C                        | -5 ÷ +50   |
| Flow rate at 6 bar with Δp=1 (NI/min) | 530  |
| Flow rate with free exhaus (NI/min)   | 800  |

|             |                  |
|-------------|------------------|
| METAL TYPE  |                  |
| <b>A</b>    | = Banjo only     |
| <b>T</b> 06 | = Banjo Ø6       |
| 08          | = Banjo Ø8       |
| 10          | = Banjo Ø10      |
| VERSION     |                  |
| <b>V</b> U  | = Unidirectional |
| B           | = Bidirectional  |

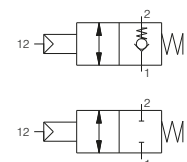
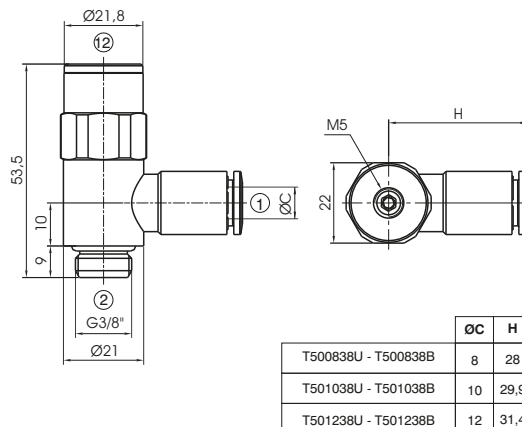


**Blocking valves technopolymer type - Size 3/8"**

Coding: T50**T**38**V**

| Operational characteristics           |  |
|---------------------------------------|--|
| Fluid                                 | Filtered air. No lubrication needed, if applied it shall be continuous |
| Max working pressure (bar)            | 0,5 ÷ 10   |
| Temperature °C                        | -5 ÷ +50   |
| Flow rate at 6 bar with Δp=1 (NI/min) | 1000   |
| Flow rate with free exhaus (NI/min)   | 1600   |

|             |                  |
|-------------|------------------|
| METAL TYPE  |                  |
| <b>A</b>    | = Banjo only     |
| <b>T</b> 08 | = Banjo Ø8       |
| 10          | = Banjo Ø10      |
| 12          | = Banjo Ø12      |
| VERSION     |                  |
| <b>V</b> U  | = Unidirectional |
| B           | = Bidirectional  |



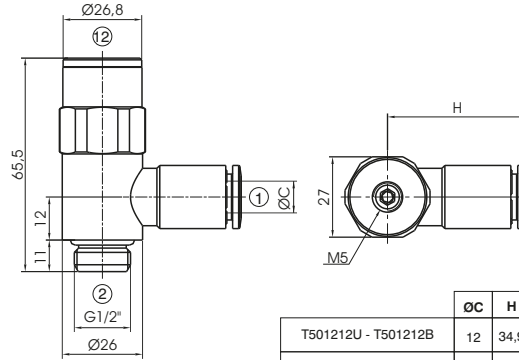


Blocking valves technopolymer type - Size 1/2"

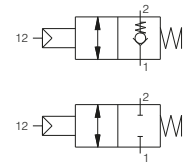
Coding: T50<sup>①</sup>12<sup>②</sup>V

| Operational characteristics           |  |
|---------------------------------------|--|
| Fluid                                 | Filtered air. No lubrication needed, if applied it shall be continuous |
| Max working pressure (bar)            | 0,5 ± 10   |
| Temperature °C                        | -5 ± +50   |
| Flow rate at 6 bar with Δp=1 (NI/min) | 1300   |
| Flow rate with free exhaus (NI/min)   | 2600   |

|            |                    |
|------------|--------------------|
| METAL TYPE |                    |
| ①          | A = Banjo only     |
|            | 10 = Banjo Ø10     |
|            | 12 = Banjo Ø12     |
| VERSION    |                    |
| ②          | U = Unidirectional |
|            | B = Bidirectional  |



|                     | ØC | H    |
|---------------------|----|------|
| T501212U - T501212B | 12 | 34.9 |
| T501012U - T501012B | 10 | 30   |



1  
AIR DISTRIBUTION