

Series 1600, Mechanically coupled cylinders Ø16

General

Mechanically coupled cylinder based on the stainless steel strip sealing technology widely used and tested on bigger bore sizes.

Available versions: sliding shoe as standard ("MH").

This system ensures high resistance and long life as the carriage which supports the weight is not tied to the piston and therefore the piston only transfers the movement without bearing any force.

Air connections: M5 threaded connections.

All air connections on one end cap version available. (side-back-bottom side)

Mountings:

- Foot brackets and intermediate supports if needed (depending on the stroke)
- Swivel bracket
- Directly in position via the slot on the end caps- in this conditions the air supply can come directly from the mounting plate.

Magnetic sensors: sensors series (1590.... , LRS.... and LHS....) can be used directly in the 2 slots on the barrel.

Construction characteristics

End cap	Anodised aluminium
Barrel	Anodised aluminium
Bands	Stainless steel
External carriage	Anodised aluminium
Sliding bushes	Special technopolymer
Piston	Acetal resin
Cushion bearings	Aluminium
Piston seals	Special NBR
Other seals	NBR

Technical characteristics

Fluid	Filtered air. No lubrication needed, if applied it shall be continuous.
Working pressure	1,5 - 8 bar
Working temperature	-5°C - +70°C
Max. speed	1 m/s (normal working conditions)
Max. stroke	2,5 meters
Cushioning length	18 mm

Please follow the suggestions below to ensure a long life for these cylinders:

- use clean and lubricated air
- Please adequately evaluate the load involved and its direction, especially in respect to the moving carriage (also see tables for loads and admitted moments).
- avoid high speeds together with long strokes and heavy loads: this would produce kinetic energy which the cylinder cannot absorb, especially if used as a limit stop (in this case use mechanical stop device)
- evaluate the environmental characteristics of cylinder used (high temperature, hard atmosphere, dust, humidity etc.)

Please note: air must be dried for applications with lower temperature.

Use hydraulic oils H class (ISO VG32) for correct continued lubrication.

Our Technical Department will be glad to help.

For applications where a low smooth uniform operations speed is required, you must specify this on your purchase order so that we can use the proper special grease.

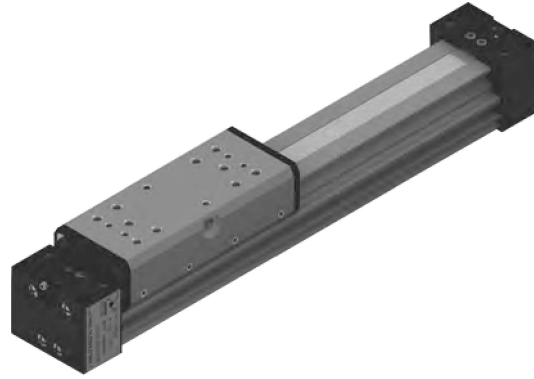
Use and maintenance

This type of cylinder, due to its characteristics, has to be used within certain criteria. Correct use will give long and troublefree operation. Filtered and lubricated compressed air reduce seal wear. Verify that the load will not produce unforeseen stresses. Never combine high speed with heavy load. Always support the long stroke cylinder with intermediate brackets and never exceed the specified working conditions.

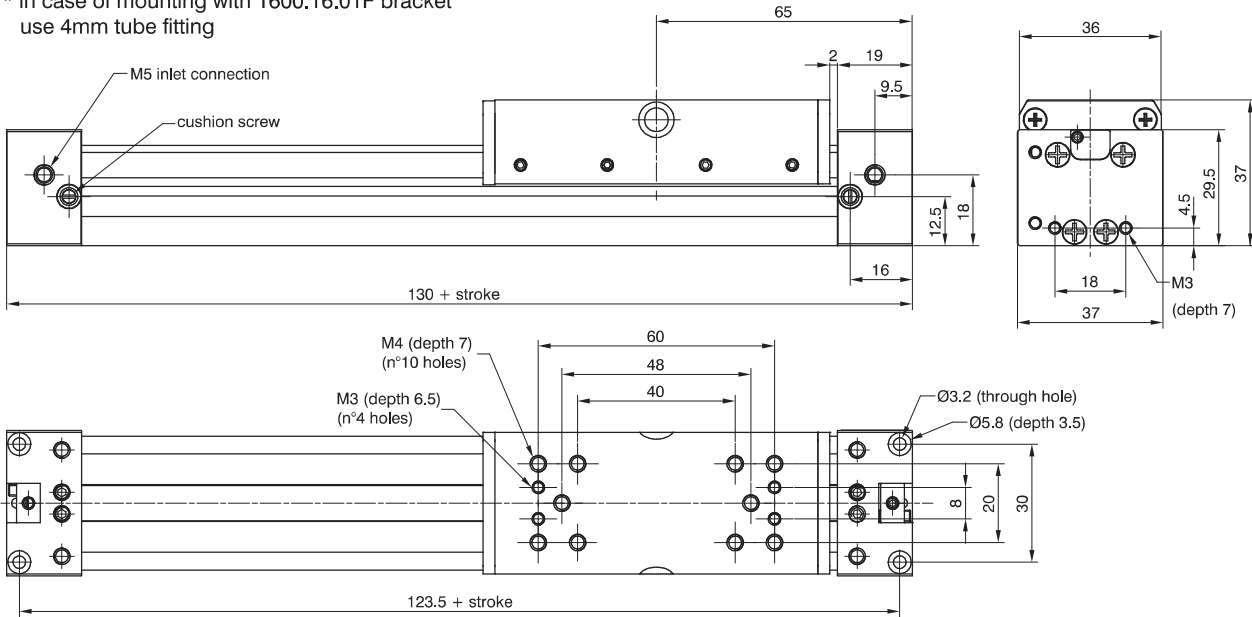


Basic version (cylinder with sliding shoes bushes)

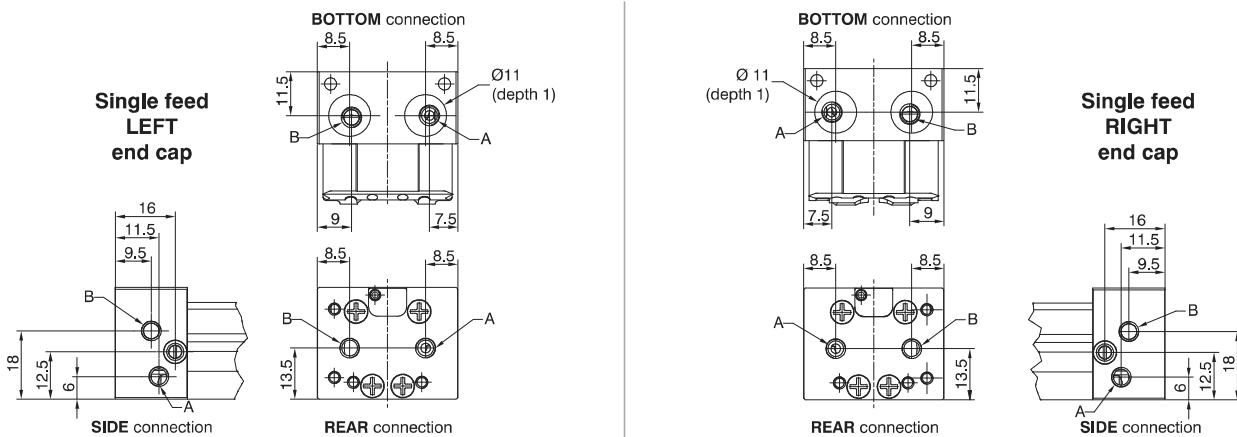
Ordering code
1605.16.stroke.01.MH
Possibility of a single feed cylinder head
1605.16.stroke.02.MH left end cap-side connection
1605.16.stroke.03.MH right end cap-side connection
1605.16.stroke.04.MH left end cap-rear connection*
1605.16.stroke.05.MH right end cap-rear connection*
1605.16.stroke.06.MH left end cap-bottom connection
1605.16.stroke.07.MH right end cap-bottom connection



* in case of mounting with 1600.16.01F bracket use 4mm tube fitting



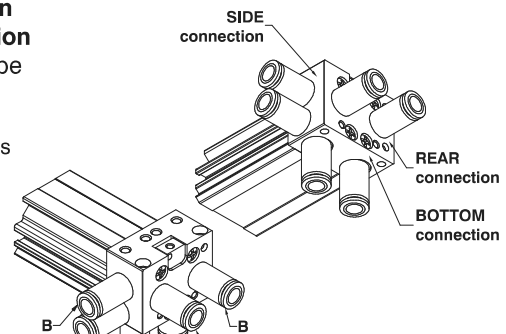
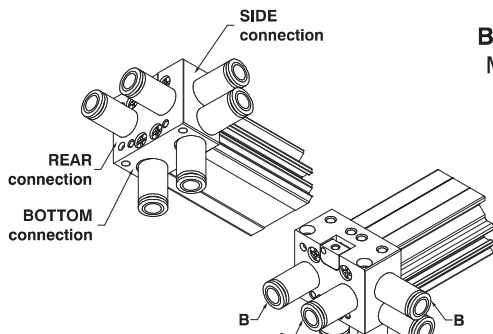
Possibility of a single feed right or left cylinder head and on 3 different end cap sides



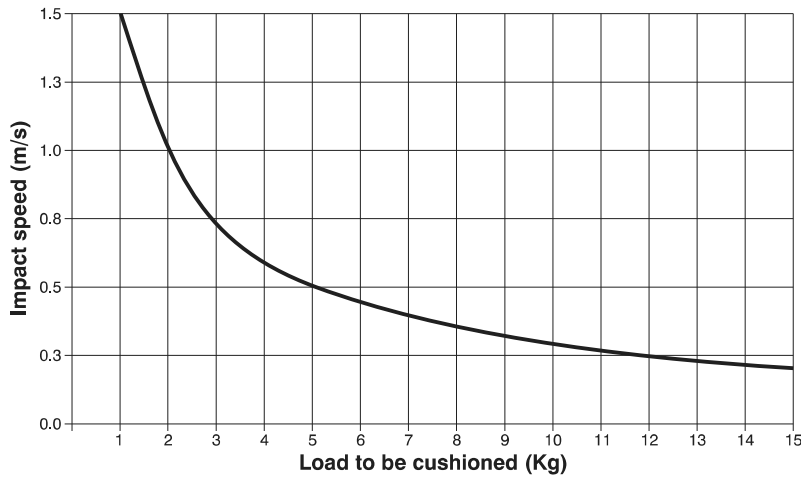
A = forward stroke connection
B = backwards stroke connection

M5 tube Ø4 and Ø6 fittings can be used for air connections.

In case of use with 1600.16.01F mounting and REAR air connections use a 4mm pipe fitting.



► Operating end stroke decelerator diagram

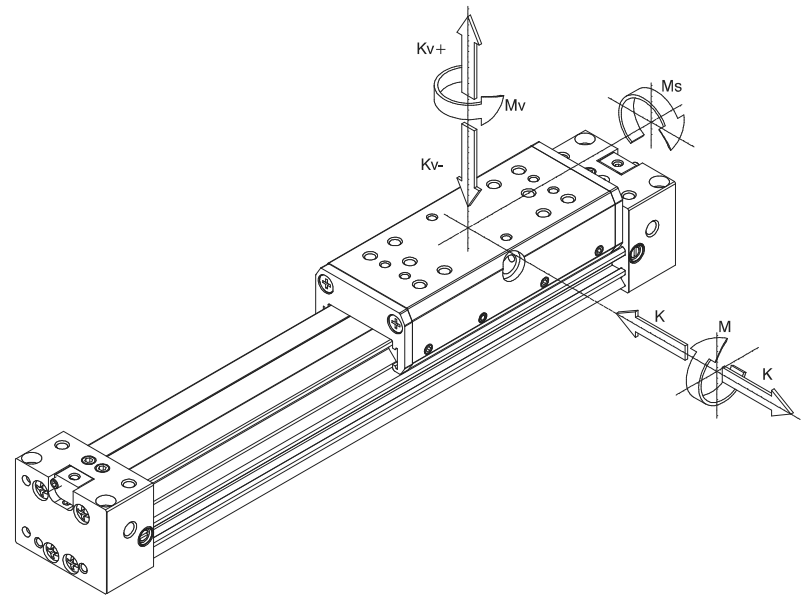


In case of extreme applications close to the maximum allowed values in the graph it is strongly recommended to add external damping systems.

► Suggested loads and moments

K1	K2	K	M	Ms	Mv
200	250	100	10	2	3
(N)			(Nm)		

Maximum Load and moments allowed
in static or dynamic conditions
(max. speed 0,2 m/s)

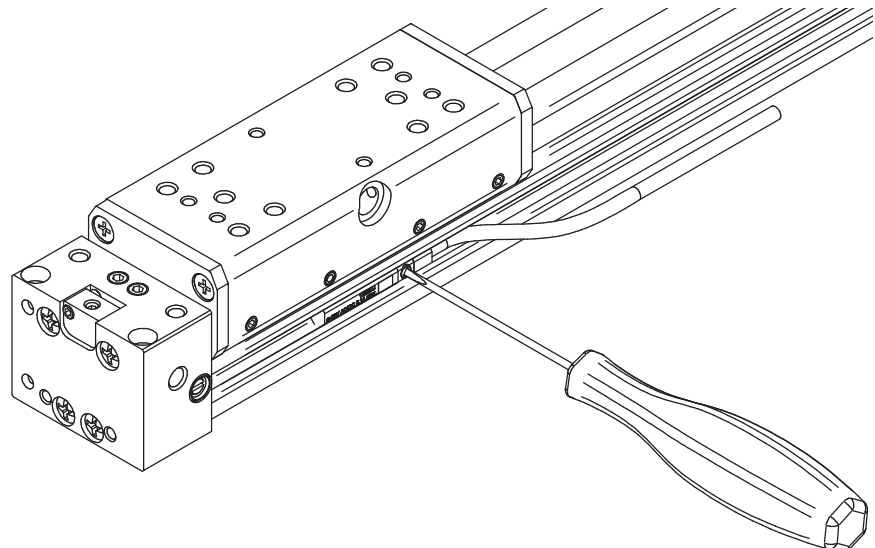


3

PNEUMATIC ACTUATION

► Magnetic sensors

Ordering code
1590...
LRS...
LHS...





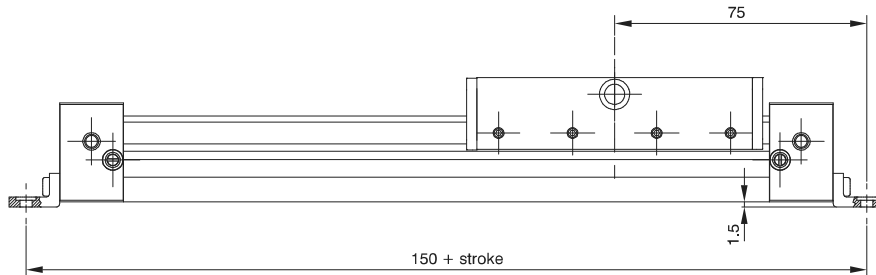
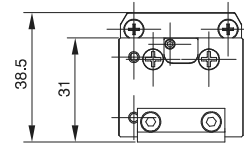
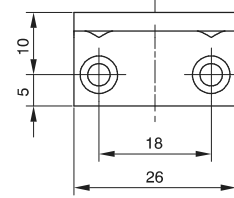
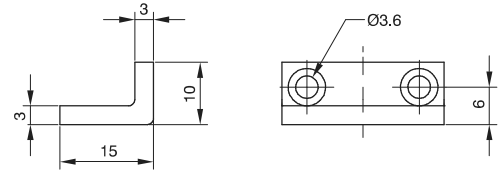
Mounting foot brackets

Ordering code

1600.16.01F
(1 piece)

The kit comprises:
n°1 foot (plated zinc steel)
n°2 screws (plated zinc steel)

Attention: based on the stroke evaluate the need to use also side mounted supports. (see below)

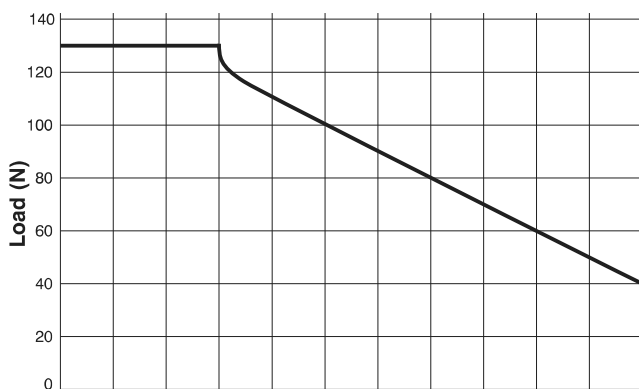
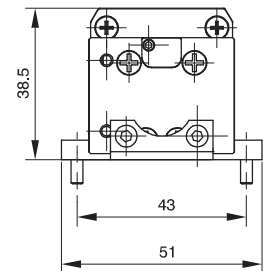
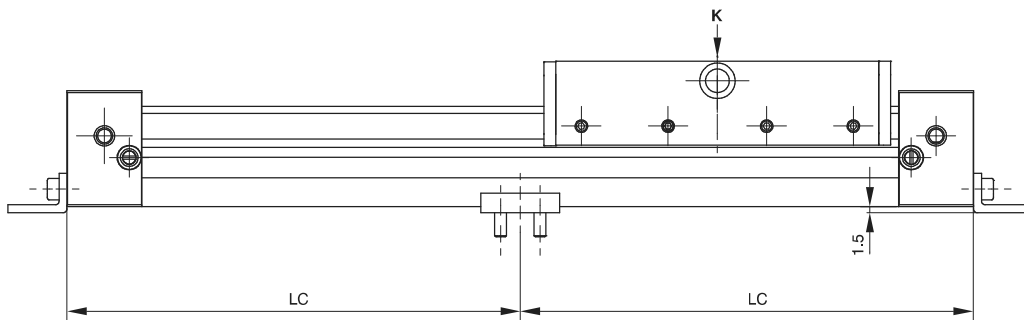
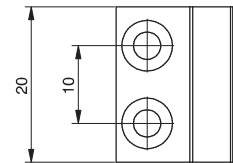
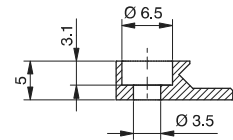
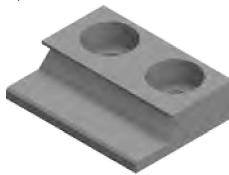


Intermediate support

Ordering code

1600.16.02F
(1 piece)

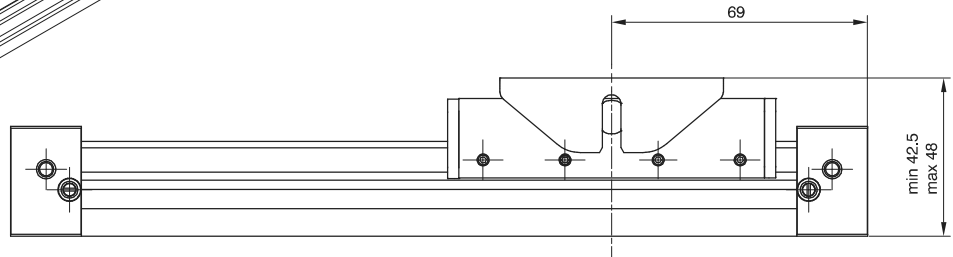
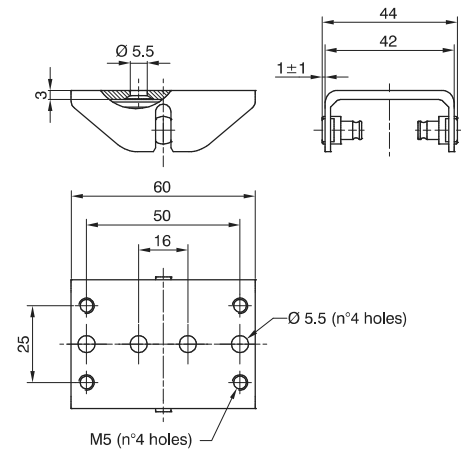
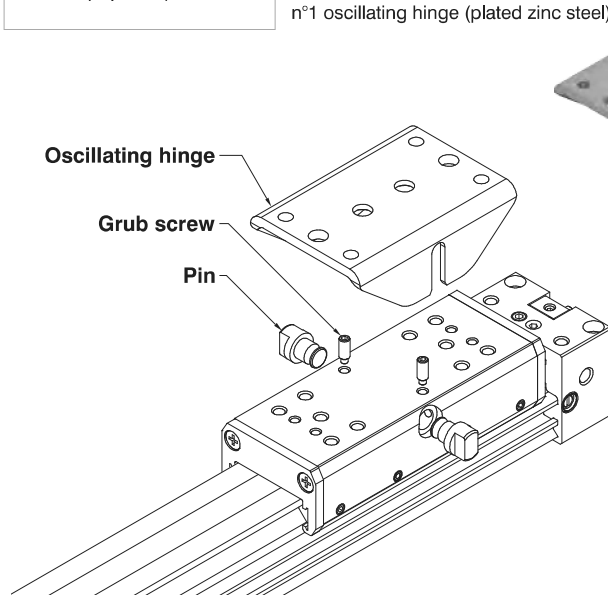
The kit comprises:
n°1 support (aluminium)
n°2 screws (plated zinc steel)



Oscillating hinge

Ordering code
1600.16.03F (1 piece)

The kit comprises:
n°2 pins (plated zinc steel)
n°2 grub screw (steel)
n°1 oscillating hinge (plated zinc steel)



mounting sequence:
- mount the pin into the dedicated housing
- tighten the blocking grub screws in the dedicated housing

Direct mounting without brackets

Ordering code
1600.16.04F (1 piece)

The kit comprises:
n°4 screws M3x35 (plated zinc steel)
n°2 O-Rings (NBR)

Direct mounting without brackets

Thanks to the mounting holes with counter bores on the end caps it is possible to mount the cylinder directly onto the mounting surface. Having the end caps and barrel flush and in contact with the mounting plate it is not necessary to use any intermediate mounting brackets even in case of long strokes. It is also possible to supply air to the cylinder directly through the mounting plate through the two air connection on the bottom side of the end cap (06.MH and 07.MH) which are machined with counterbores.

