



Series 1386-1387-1388/ 1396/1397/1398, ECOPLUS

General

Profiled tube has two "T" slots on the three sides hosting sensors 1580._, MRS._, MHS._ without adaptors.

Construction characteristics

End caps	Series 1386 - 1388: high resistant thermoplastic material	Series 1396 - 1398: Die-casting aluminium
Rod	C43 chromed steel or stainless steel	
Barrel	anodised aluminium alloy	
Rod-guide bushing	self-lubricating sintered bronze	
Piston	acetal resin, aluminium on request	
Seal	standard: NBR Oil resistant rubber, PUR Piston rod seals (PUR seals available upon request)	
Cushion adjusting screws	brass	

Operational characteristics

Fluid	Filtered air. No lubrication needed, if applied it shall be continuous.
Max. pressure	10 bar
Operating temperature	-5°C - +70°C with standard seals -30°C - +80°C with PUR seals
Bore	Ø 32 - 40 - 50 - 63 - 80 - 100
Cushioning length	mm 27 - 31 - 31 - 37 - 40 - 44
Cushioning length "K" and "PK" version	mm 20 - 20 - 22 - 22 - 32 - 32

Please follow the suggestions below to ensure a long life for these cylinders:

- use clean and lubricated air
- correct alignment during assembly with regard to the applied load so as to avoid radial components or bending the rod;
- avoid high speeds together with long strokes and heavy loads: this would produce kinetic energy which the cylinder cannot absorb, especially if used as a limit stop (in this case use mechanical stop device and aluminium piston);
- evaluate the environmental characteristics of cylinder used (high temperature, hard atmosphere, dust, humidity etc.)

Please note: air must be dried for applications with lower temperature.

Use hydraulic oils H class (ISO VG32) for correct continued lubrication.

Our Technical Department will be glad to help.

Standard strokes (for all diameters)

from 0 to 150, every 25 mm
from 150 to 500, every 50 mm
from 500 to 1000, every 100

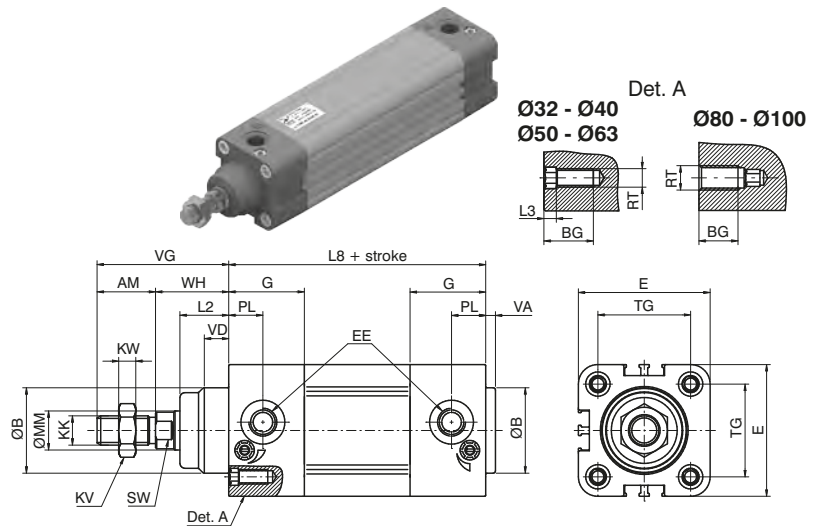
On request are available strokes up to 2800 mm

Stroke tolerance (ISO 15552)

Bore	Stroke	Tolerance
32 - 40 - 50	up to 500	+2 0
	over 500 up to 1000	+3.2 0
63 - 80 - 100	up to 500	+2.5 0
	over 500 up to 1000	+4 0

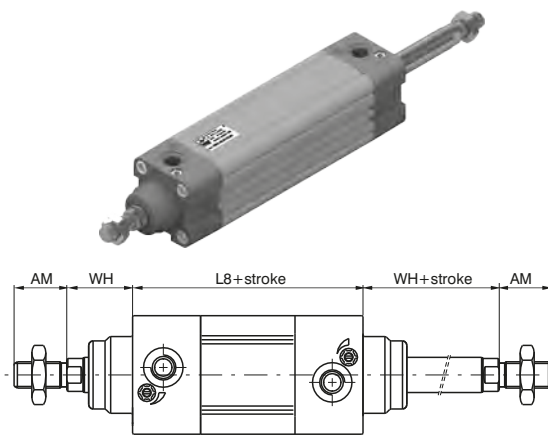
Basic version "01"

Ordering code
TECHNOPOLYMER COVERS
1386.Ø.stroke.01 Magnetic chromed rod
1387.Ø.stroke.01 Magnetic stainless steel rod
1388.Ø.stroke.01 Non magnetic chromed rod
ALUMINIUM COVERS
1396.Ø.stroke.01 Magnetic chromed rod
1397.Ø.stroke.01 Magnetic stainless steel rod
1398.Ø.stroke.01 Non magnetic chromed rod



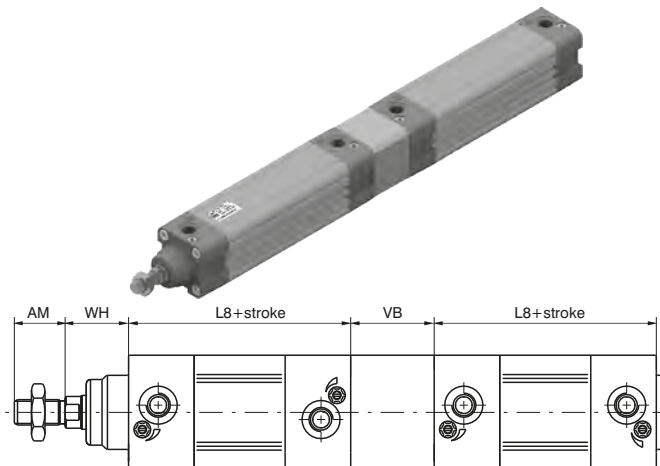
Through rod cylinder version "02"

Ordering code
TECHNOPOLYMER COVERS
1386.Ø.stroke.02 Magnetic chromed rod
1387.Ø.stroke.02 Magnetic stainless steel rod
1388.Ø.stroke.02 Non magnetic chromed rod
ALUMINIUM COVERS
1396.Ø.stroke.02 Magnetic chromed rod
1397.Ø.stroke.02 Magnetic stainless steel rod
1398.Ø.stroke.02 Non magnetic chromed rod



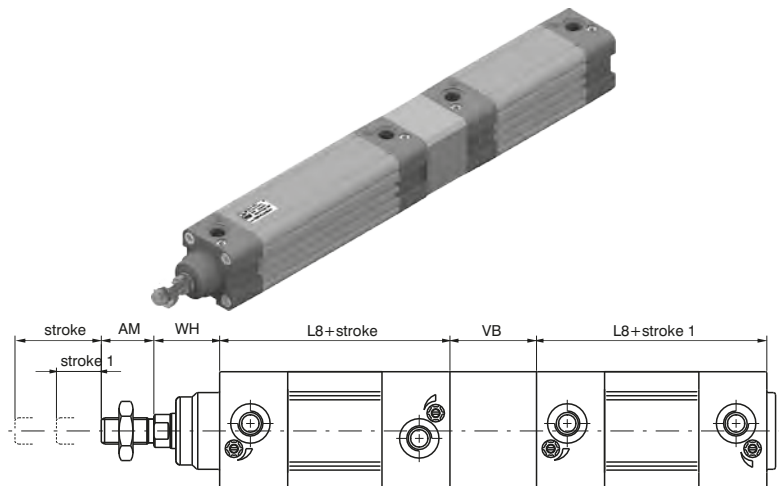
Tandem push with common rods "G"

Ordering code
TECHNOPOLYMER COVERS
1386.Ø.stroke.G Magnetic chromed rod
1387.Ø.stroke.G Magnetic stainless steel rod
1388.Ø.stroke.G Non magnetic chromed rod
ALUMINIUM COVERS
1396.Ø.stroke.G Magnetic chromed rod
1397.Ø.stroke.G Magnetic stainless steel rod
1398.Ø.stroke.G Non magnetic chromed rod



Tandem push with independent rods "F"

Ordering code
TECHNOPOLYMER COVERS
1386.Ø.stroke.stroke1.F Magnetic chromed rod
1387.Ø.stroke.stroke1.F Magnetic stainless steel rod
1388.Ø.stroke.stroke1.F Non magnetic chromed rod
ALUMINIUM COVERS
1396.Ø.stroke.stroke1.F Magnetic chromed rod
1397.Ø.stroke.stroke1.F Magnetic stainless steel rod
1398.Ø.stroke.stroke1.F Non magnetic chromed rod



Opposed tandem with common rod "D"

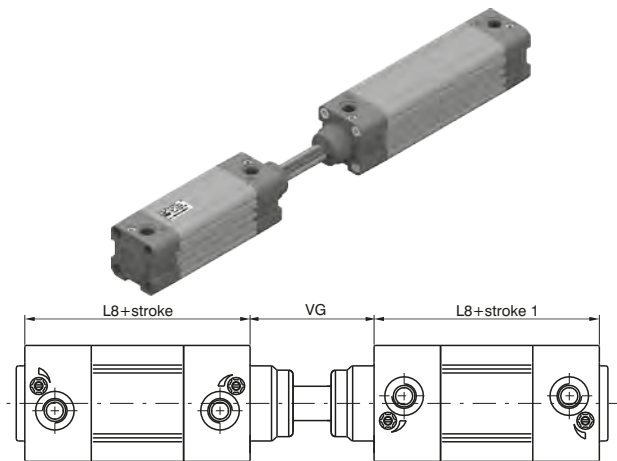
Ordering code

TECHNOPOLYMER COVERS

- 1386.Ø.stroke.stroke1.D Magnetic chromed rod
- 1387.Ø.stroke.stroke1.D Magnetic stainless steel rod
- 1388.Ø.stroke.stroke1.D Non magnetic chromed rod

ALUMINIUM COVERS

- 1396.Ø.stroke.stroke1.D Magnetic chromed rod
- 1397.Ø.stroke.stroke1.D Magnetic stainless steel rod
- 1398.Ø.stroke.stroke1.D Non magnetic chromed rod



Tandem with opposed rods "E"

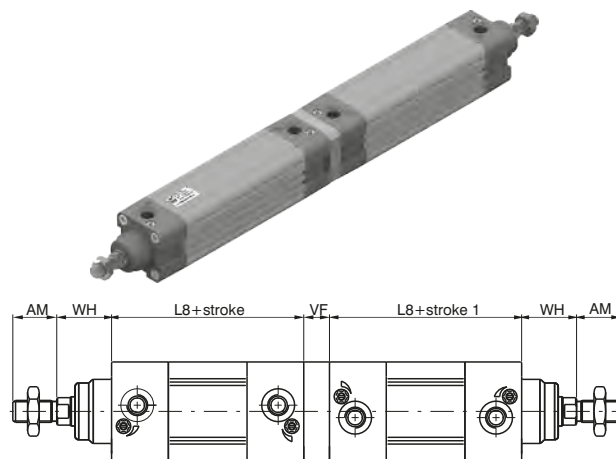
Ordering code

TECHNOPOLYMER COVERS

- 1386.Ø.stroke.stroke1.E Magnetic chromed rod
- 1387.Ø.stroke.stroke1.E Magnetic stainless steel rod
- 1388.Ø.stroke.stroke1.E Non magnetic chromed rod

ALUMINIUM COVERS

- 1396.Ø.stroke.stroke1.E Magnetic chromed rod
- 1397.Ø.stroke.stroke1.E Magnetic stainless steel rod
- 1398.Ø.stroke.stroke1.E Non magnetic chromed rod



Variants

Ordering code

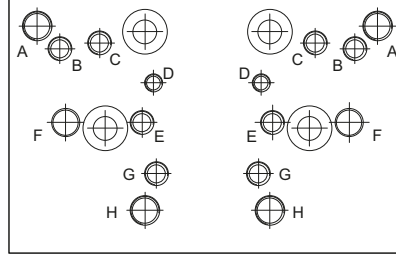
- 13_ _Ø.stroke_ _P = Version with PUR seals
- 13_ _Ø.stroke_ _K = Version with aluminium piston
- 13_ _Ø.stroke_ _PK = Version with PUR seals and aluminium piston

Table of dimensions

Bore			32	40	50	63	80	100
AM			22	24	32	32	40	40
B (d 11)			30	35	40	45	45	55
BG			16	16	18	18	16	16
E			46	54	65	77,5	95,5	115,5
EE			G 1/8"	G 1/4"	G 1/4"	G 3/8"	G 3/8"	G 1/2"
G			29	31	33	36	40	44
KK			M10X1,25	M12X1,25	M16x1,5	M16x1,5	M20x1,5	M20x1,5
KV			17	19	24	24	30	30
KW			6	7	8	8	9	9
L2			16	20	25	25	32	35
L3			4	4	5	5	/	/
L8			94	105	106	121	128	138
MM			12	16	20	20	25	25
PL			13	14	14	16	16	18
RT			M6	M6	M8	M8	M10	M10
SW			10	13	17	17	22	22
TG			32,5	38	46,5	56,5	72	89
VA			4	4	4	4	4	4
VB			33	41	51	51	65	71
VD			8	10	12	12	15	16
VF			12	12	16	16	20	20
VG			48	54	69	69	86	91
WH			26	30	37	37	46	51
Weight	Aluminium covers	stroke 0	550	690	1200	1590	2500	3670
g		every 10 mm	29	40	57	66	96	112
Weight	Technopolymer covers	stroke 0	470	590	1020	1320	2090	3010
g		every 10 mm	29	40	57	66	96	112

Solenoid valves supports

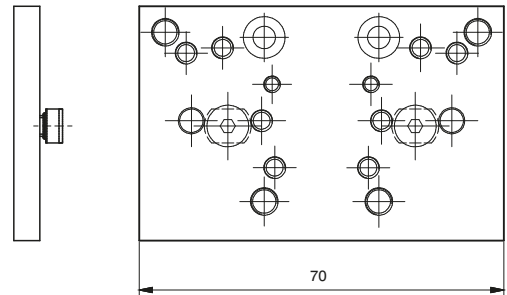
This accessory permits to mount a valve or an electrovalve on a side of the cylinder. The plate can be fitted on the cylinder profiled barrel, and, on it, can be mounted either a threaded distributor or a base on which can be mounted an ISO distributor. Once installed the connections must be done with fittings and pipes. All of the threaded holes on the support plate are dedicated to different valves series as per attached drawing.



Fixing holes for valves series:

- A = 414/2
- B = 824
- C = 828, T488, 488, 484
- D = 2400
- E = 2600
- G = 858/2
- H = T424

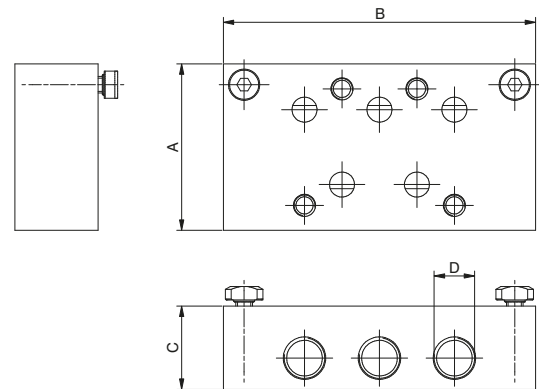
Ordering code
1386.15



Attention: do not use ISO distributor for base mounting

Bases for ISO solenoid valves

Ordering code
1320.23 bases for ISO 1 solenoid valves
1320.24 bases for ISO 2 solenoid valves



	Dimensions			
	A	B	C	D
bases for ISO 1 solenoid valves	40	75	15	G 1/8"
bases for ISO 2 solenoid valves	50	95	20	G 1/4"