



Series 1500 - Compact cylinders ECOMPACT-S

General

Based on the **ECOMPACT** series with piston rods and centring diameters according to ISO 15552 standard.

Construction characteristics

Body	anodised aluminium
End caps	aluminium alloy casting painted with brass centring bearing
Bearing piston rod	spheroid bronze on steel band with P.T.F.E. coat
Piston rod	C43 chromed steel (on request stainless steel)
Piston	Ø32 and Ø40 acetal resin (aluminium on request) Ø50 and Ø63 aluminium (with FPM seals, aluminium for all of standard diameters)
Seals	standard: NBR oil resistant rubber, PUR piston rod seals (PUR or FPM on request)
Spring	stainless steel
Fixing screws	plated zinc steel

Operational characteristics

Fluid	Filtered air. No lubrication needed, if applied it shall be continuous
Max. pressure	10 bar
Operating temperature	-5°C - +70°C with standard seals (magnetic or non magnetic piston) -30°C - +80°C with PUR seals (magnetic or non magnetic piston) -5°C - +80°C with FPM seals (magnetic piston) -5°C - +150°C with FPM seals (non magnetic piston)

Please follow the suggestions below to ensure a long life for these cylinders:

- use clean and lubricated air
- correct alignment during assembly with regard to the applied load so as to avoid radial components or bending the rod.
- avoid high speeds together with long strokes and heavy loads: this would produce kinetic energy which the cylinder cannot absorb, especially if used as a limit stop (in this case use mechanical stop device and aluminium piston)
- evaluate the environmental characteristics of cylinder used (high temperature, hard atmosphere, dust, humidity etc.)

Please note: air must be dried for applications with lower temperature.

Use hydraulic oils H class (ISO VG32) for correct continued lubrication.

Our Technical Department will be glad to help.

Stroke tolerance, minimum and maximum spring loads and cushioning length

Bore (mm)	Stroke tolerance (mm)	Minimum and maximum spring load (N)		Cushioning length (mm)
		min.	max.	
Ø32	+2 / 0 mm	19,6	25,5	6,5
Ø40		25,5	42,2	8
Ø50		44,1	96,3	7,5
Ø63	+2,5 / 0 mm	44,1	96,3	7,5

Standard stroke

DOUBLE ACTING
BASIC and
THROUGH ROD CYLINDER version

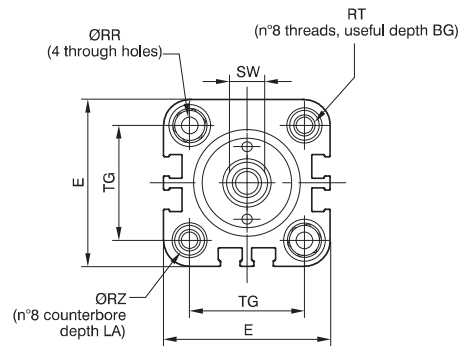
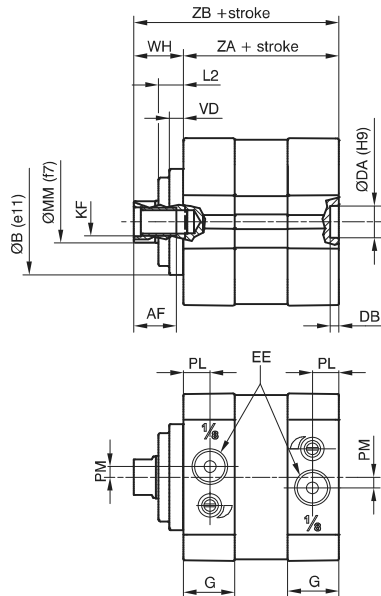
		Stroke																												
		5	10	15	20	25	30	35	40	45	50	55	60	65	70	75	80	100	125	150	160	200	250	300	320	350	400	450	500	
Bore		WITHOUT CUSHIONING DEVICE																												
	Ø32	●	●	●	●	●	●	●	●	●	●	●	●	●	●	●	●	●	●	●	●	●	●	●	●	●	●	●	●	●
	Ø40	●	●	●	●	●	●	●	●	●	●	●	●	●	●	●	●	●	●	●	●	●	●	●	●	●	●	●	●	●
	Ø50	●	●	●	●	●	●	●	●	●	●	●	●	●	●	●	●	●	●	●	●	●	●	●	●	●	●	●	●	●
Ø63	●	●	●	●	●	●	●	●	●	●	●	●	●	●	●	●	●	●	●	●	●	●	●	●	●	●	●	●	●	●
		WITH CUSHIONING DEVICE																												
Ø32					●	●	●	●	●	●	●	●	●	●	●	●	●	●	●	●	●	●	●	●	●	●	●	●	●	●
Ø40					●	●	●	●	●	●	●	●	●	●	●	●	●	●	●	●	●	●	●	●	●	●	●	●	●	●
Ø50					●	●	●	●	●	●	●	●	●	●	●	●	●	●	●	●	●	●	●	●	●	●	●	●	●	●
Ø63					●	●	●	●	●	●	●	●	●	●	●	●	●	●	●	●	●	●	●	●	●	●	●	●	●	●

DOUBLE ACTING
THROUGH ROD CYLINDER
BORED version

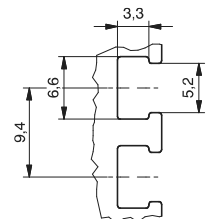
		Stroke																													
		5	10	15	20	25	30	35	40	45	50	55	60	65	70	75	80														
Bore		WITHOUT CUSHIONING DEVICE																WITH CUSHIONING DEVICE													
	Ø32	●	●	●	●	●	●	●	●	●	●							●	●	●	●	●	●								
	Ø40	●	●	●	●	●	●	●	●	●	●							●	●	●	●	●	●								
	Ø50	●	●	●	●	●	●	●	●	●	●	●	●	●	●	●	●	●	●	●	●	●	●	●	●	●	●	●	●	●	●
Ø63	●	●	●	●	●	●	●	●	●	●	●	●	●	●	●	●	●	●	●	●	●	●	●	●	●	●	●	●	●	●	

Available versions

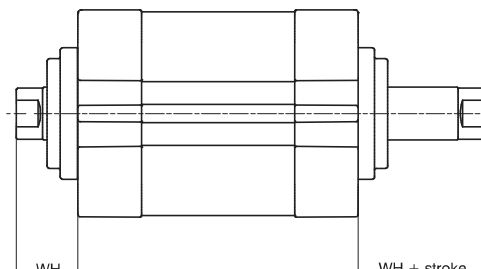
BASIC version



Sensor slot detail
type "B"
(n° 6 slots)



THROUGH ROD CYLINDER version



Ordering codes

15 .Ø.stroke.

- 0=NBR seals and C43 chromed plated rod
 - 1=NBR seals and stainless steel rod
 - 4=PUR seals and C43 chromed plated rod
 - 5=PUR seals and stainless steel rod
 - 6=FPM seals and C43 chromed plated rod
 - 7=FPM seals and stainless steel rod
- 4= Non-cushioned version (mechanical cushioning only)
 - 5= Versions with adjustable end of stroke cushioning system
- 1= Double acting, magnetic piston
 - 4= Double acting, non magnetic piston
- 10= Basic, female threaded rod
 - 11= Basic, male threaded rod
 - 12= through rod, female threaded rod
 - 13= through rod, male threaded rod
 - 14= through rod, bored female threaded rod
 - 15= through rod, bored male threaded rod
- ** It is possible to order the Ø32 and Ø40 cylinders with an aluminium piston by replacing the '1' with '2' in the ordering code.
Example: 1540.32.10.10.1 (Acetyl Resin Piston)
1540.32.10.20.1 (Aluminium Piston version)

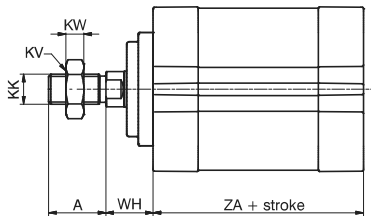
Seals compounds scheme

- NBR: oil resistant nitrilic rubber seals
- PUR: polyurethane seals
- FPM: fluoropolymer rubber seals

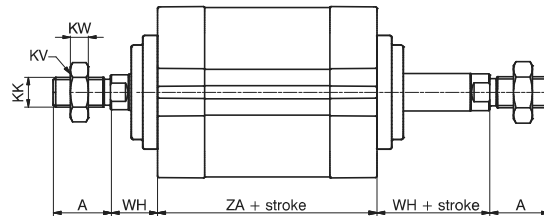
Table of dimensions

Bore	Ø32	Ø40	Ø50	Ø63
AF (min)	12	16	20	20
ØB (e11)	30	35	40	45
BG	16	16	16	16
ØDA (H9)	9	9	12	12
DB (+0,1/0)	2,5	2,5	2,6	2,6
E (max)	47,5	55	66	78
EE	G1/8"	G1/8"	G1/8"	G1/8"
G	14,5	15	15	15
KF	M8	M10	M12	M12
LA (0/-0,1)	5	5	5	5
L2	7	7	10	10
ØMM (f 7)	12	16	20	20
PL (+0,1/0)	7,5	8	8	8
PM	3	/	/	/
ØRR (min)	5,1	5,1	6,6	6,6
RT	M6	M6	M8	M8
ØRZ (min)	8,5	8,5	10,5	10,5
SW (0/-0,1)	10	13	17	17
TG (±0,2)	32,5	38	46,5	56,5
VD	4	4	5	5
WH (±1)	14	14	18	18
ZA (±0,5)	44	45	45	49
ZB (+1/0)	58	59	63	67
Weight stroke	240	330	530	700
gr. every 5mm	13	17	24	27

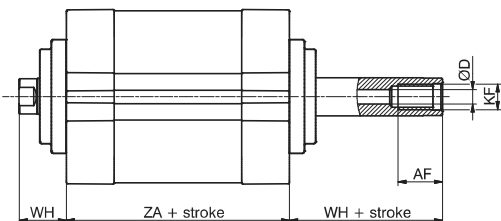
Basic version male piston rod



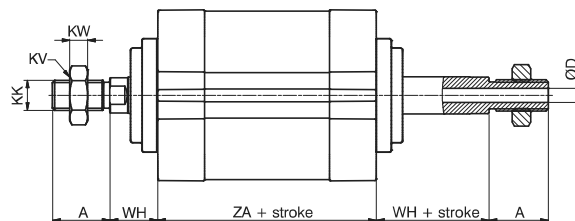
Through rod version male rod



Through rod version bored female piston rod

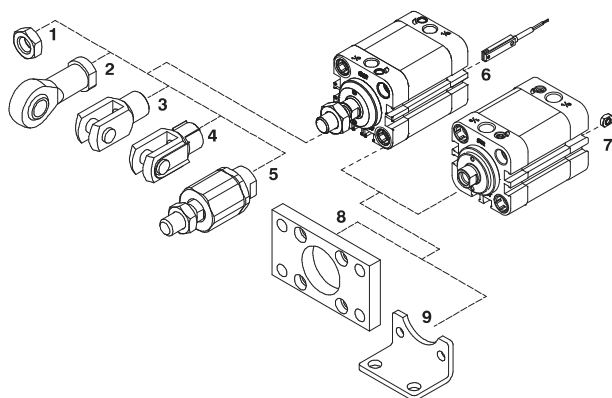


Through rod version bored male piston rod

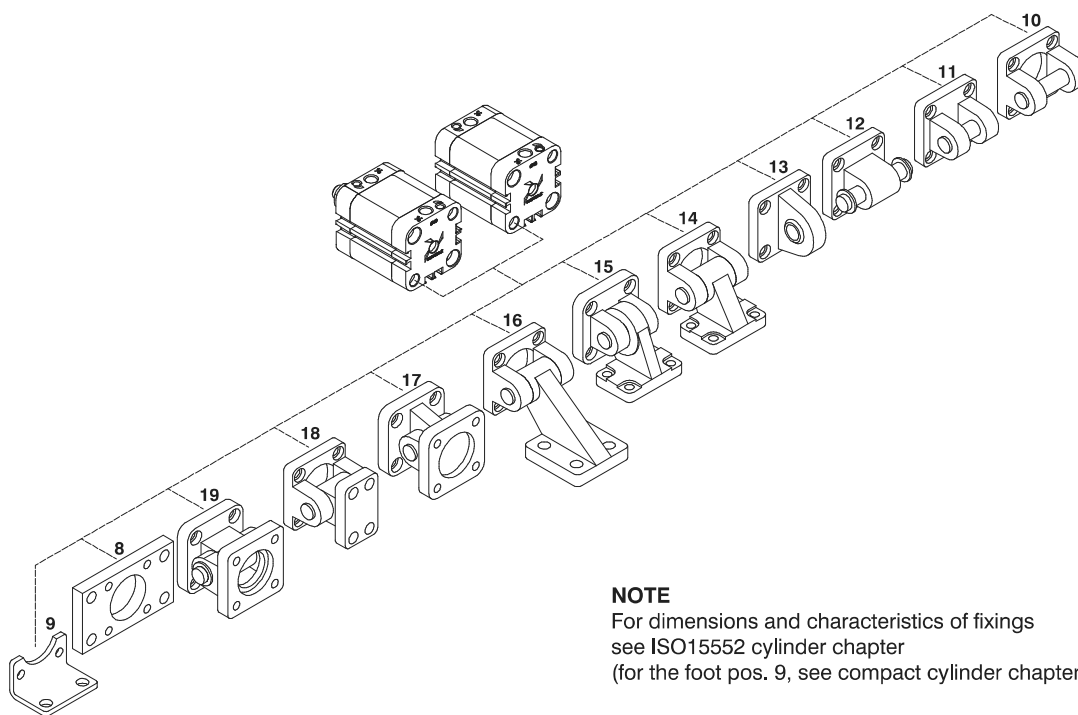


Bore	A (0/-0,5)	AF (min)	ØD	KF	KK	KV	KW	WH (±1)	ZA (±0,5)
Ø32	22	14	4,5	M8	M10x1,25	17	6	14	44
Ø40	24	18	4,5	M10	M12x1,25	19	7	14	45
Ø50	32	24	6	M12	M16x1,5	24	8	18	45

Sensor and piston rod accessories



Pos.	Description	Ordering code	
		Aluminium	Steel
1	Rod lock nut	1320.32.18F	(Ø32)
		1320.40.18F	(Ø40)
		1320.50.18F	(Ø50-Ø63)
2	Ball joint	1320.32.32F	(Ø32)
		1320.40.32F	(Ø40)
		1320.50.32F	(Ø50-Ø63)
3	Fork	1320.32.13F	(Ø32)
		1320.40.13F	(Ø40)
		1320.50.13F	(Ø50-Ø63)
4	Fork with clips	1320.32.13/1F	(Ø32)
		1320.40.13/1F	(Ø40)
		1320.50.13/1F	(Ø50-Ø63)
5	Self aligning joint	1320.32.33F	(Ø32)
		1320.40.33F	(Ø40)
		1320.50.33F	(Ø50-Ø63)
6	Sensors	(See chapter 6 magnetic sensor)	
7	Valves direct mounting bolt	1500.20F	(Ø32 - Ø63)



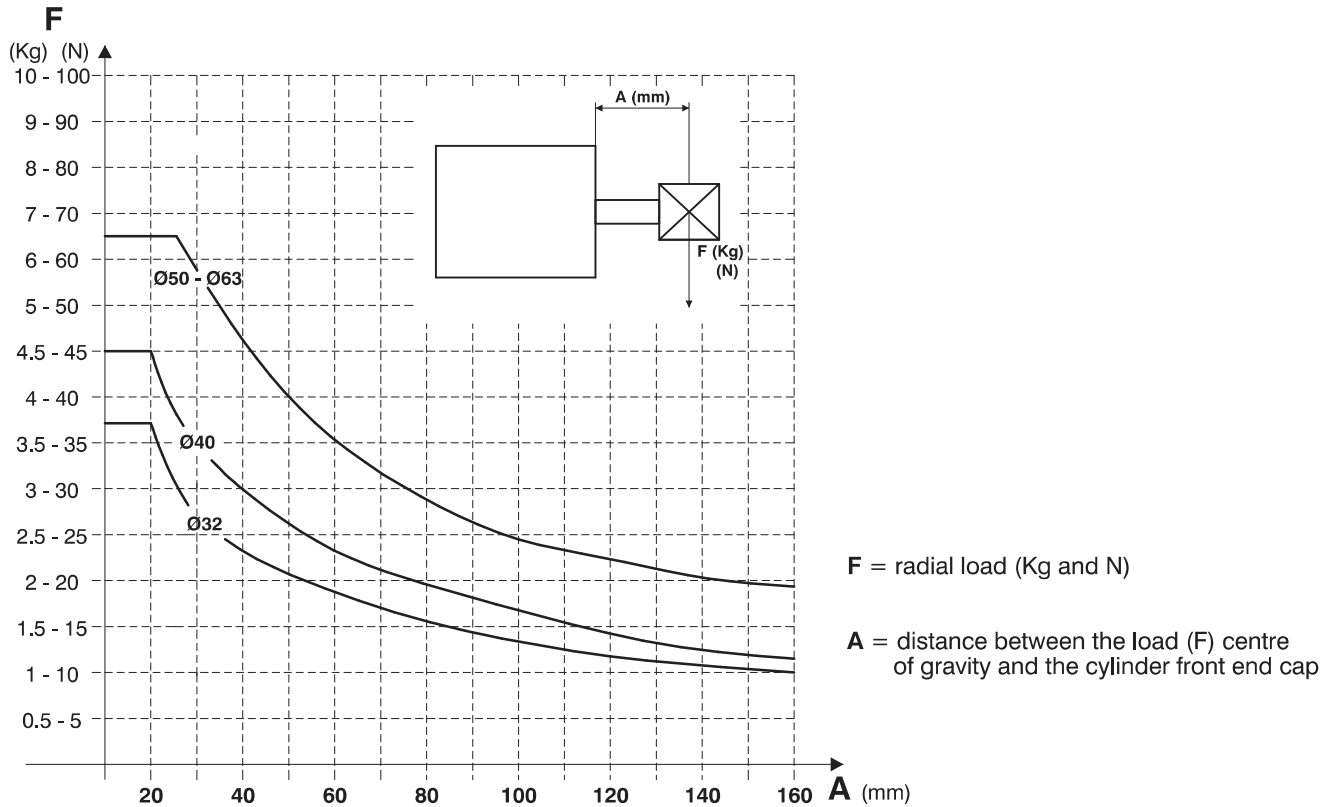
NOTE
For dimensions and characteristics of fixings see ISO15552 cylinder chapter (for the foot pos. 9, see compact cylinder chapter ISO 21287).

Fixing

Pos.	Description	Ordering code	
		Aluminium	Steel
8	Flange (MF2)	1390.Ø.03FP	1380.Ø.03F
9	Foot (MS1)	/	1540.Ø.05/1F
10	Rear female clevis (MP2)	1380.Ø.09F	1320.Ø.20F
11	Narrow rear female clevis (AB6)	1380.Ø.30F	1320.Ø.29F
12	Rear male clevis (MP4)	1380.Ø.09/1F	1320.Ø.21F
13	Rear male clevis (with jointed head - MP6)	1380.Ø.15F	1320.Ø.25F
14	Square angle trunnion (Ab7)	1380.Ø.35F	1320.Ø.23F
15	Square angle trunnion (with jointed head)	/	1320.Ø.27F
16	Square angle trunnion (not specified by ISO 15552)	1380.Ø.11F	/
17	Standard trunnion (with jointed head)	1380.Ø.36F	1320.Ø.26F
18	Standard trunnion (not specified by ISO 15552)	1380.Ø.10F	/

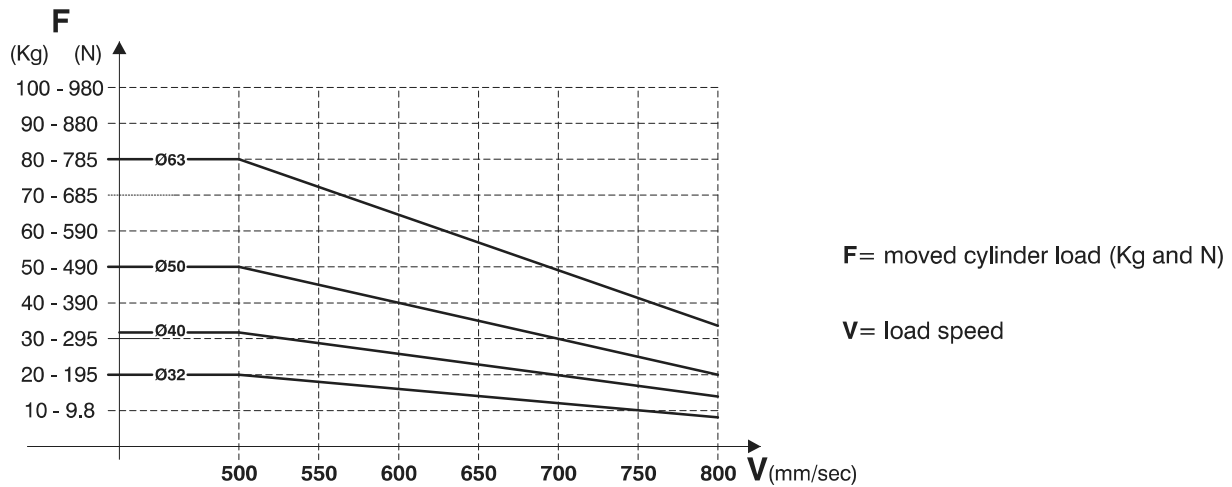


Admissible maximum radial load diagram



The diagram shows the maximum radial load F (in Newtons) that can be applied to the cylinder piston rod as a function of the distance A (in mm), under static conditions

End of stroke cushioning capacity diagram



The diagram shows, for each diameter, the safety curves relative to the maximum loads which can be moved by the cylinder in function of its speed V . The data has been calculated under the following test conditions: Cylinder mounted vertically with the rod pointing down, air pressure at 5 bar and with a guided load. Important: Do not exceed the recommended values in the table as reduced life or damage to the cylinder may result.