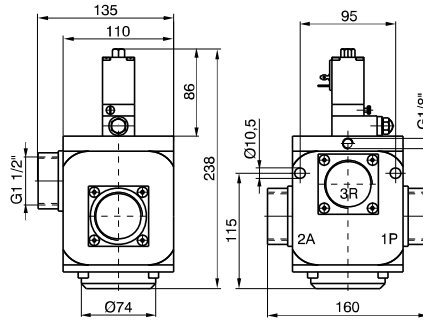


Solenoid-Spring



Ordering code

776/V.32.0.F.S

FUNCTION

F 1C= External feeding
Normally closed

1A= External feeding
Normally open

S SOLENOID CODE

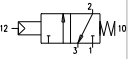
See S.V. pag.109

For vacuum - N.O.

Exhaust: Port 1

Outlet: Port 2

Pump: Port 3

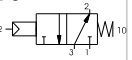


For vacuum - N.C.

Exhaust: Port 3

Outlet: Port 2

Pump: Port 1



Weight 4500 gr.

Operational characteristics

Fluid	Vacuum
Minimum piloting pressure (bar)	2
Temperature °C	-5 ... +50
Orifice size (mm)	38
Working port size	G1 1/2"
Pilot port size	G 1/8"