



2-way N.C. angle seat valve. Flange mounting (Designed to prevent water hammer)

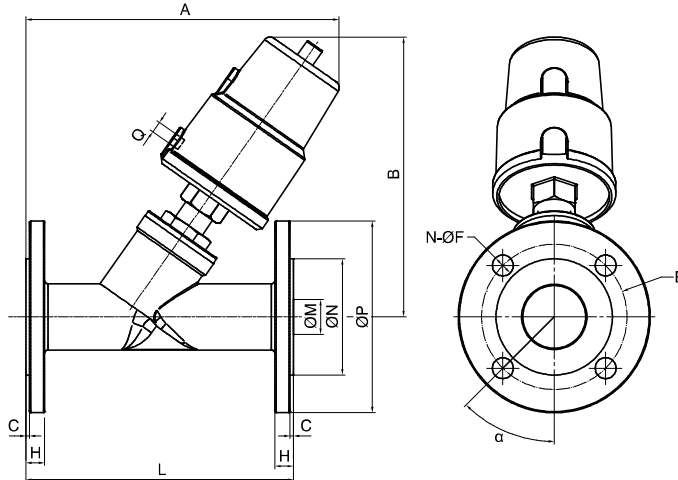


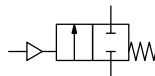
Table of dimensions

CODE	☉ = Function		Actuator (mm)	A (mm)	B (mm)	Q (mm)	L (mm)	C (mm)	H (mm)	ØE	N-ØF	ØM	ØN	ØP	α	☉ = Material	
	N.O.	N.C.														AISI 304	AISI 316
PVF40☉15F-M	0	1	40	135	125	1/8"	130	2	14	65	4-14	16	45	95	45°	A	B
PVF50☉15F-M			50	145	140												
PVF50☉20F-M			50	165	140												
PVF50☉25F-M			50	170	145		160	2	14	85	4-14	26	65	115			
PVF63☉25F-M			63	190	175												
PVF63☉32F-M			63	190	188		180	2	16	100	4-18	31	78	140			
PVF90☉32F-M			90	230	235												
PVF63☉40F-M			63	206	190		200	3	16	110	4-18	38	84	150			
PVF90☉40F-M			90	250	240												
PVF63☉50F-M			63	235	195		230	3	16	125	4-18	49	100	165			
PVF90☉50F-M			90	277	245												

Technical data (N.O. - N.C. versions)

CODE	☉ = Function		KV (m³/h)	Actuator (mm)	Maximum ΔP (bar) (N.O.)		Maximum ΔP (bar) (N.C.)		Pilot pressure (bar)	☉ = Material	
	N.O.	N.C.			Above seat	Under seat	Above seat	Under seat		AISI 304	AISI 316
PVF40☉15F-M	0	1	4,8	40	16	16	16	13	3... 8	A	B
PVF50☉15F-M			4,8	50	16	16	16	14			
PVF50☉20F-M			10	50	12	16	16	14			
PVF50☉25F-M			14	50	3	13	16	8			
PVF63☉25F-M			14	63	16	16	16	13			
PVF63☉32F-M			23	63	14	13	16	6			
PVF90☉32F-M			23	90	/	/	16	16			
PVF63☉40F-M			30	63	14	7	16	5			
PVF90☉40F-M			30	90	/	16	16	16			
PVF63☉50F-M			70	63	6	5	9	3			
PVF90☉50F-M			70	90	/	12	16	10			

Pneumatic symbol



Construction characteristics	Technical characteristics (Valve body)	Technical characteristics (Actuator)
<ul style="list-style-type: none"> <li>- High flow rate thanks to body configuration with inclined seating</li> <li>- Anti water hammer functioning with input below poppet</li> <li>- Pneumatically operated valve with stainless steel body, resistant to ambient corrosion</li> <li>- Self-levelling poppet to ensure improved sealing</li> <li>- Optical position indicator</li> <li>- Self-adjusting maintenance free stuffer seals package</li> <li>- Valves may be mounted in all positions</li> </ul> <p><b>OPTIONS (on request):</b></p> <ul style="list-style-type: none"> <li>- Double acting versions are available on request</li> </ul>	<ul style="list-style-type: none"> <li>- Material: AISI 316/304 stainless steel</li> <li>- Fluid temperature: -10 °C ... +180 °C</li> <li>- Ambient temperature: -10 °C ... +80 °C</li> <li>- Fluid viscosity: max. 600cSt.</li> <li>- Poppet: PTFE</li> <li>- Seals package: PTFE and FKM</li> </ul>	<ul style="list-style-type: none"> <li>- Body: AISI 304</li> <li>- Pilot fluid: dry or lubricated air, gas and neutral fluids</li> <li>- Fluid temperature: max. +60 °C</li> </ul>