



2-way N.C. angle seat valve. Clamp (Designed to prevent water hammer)

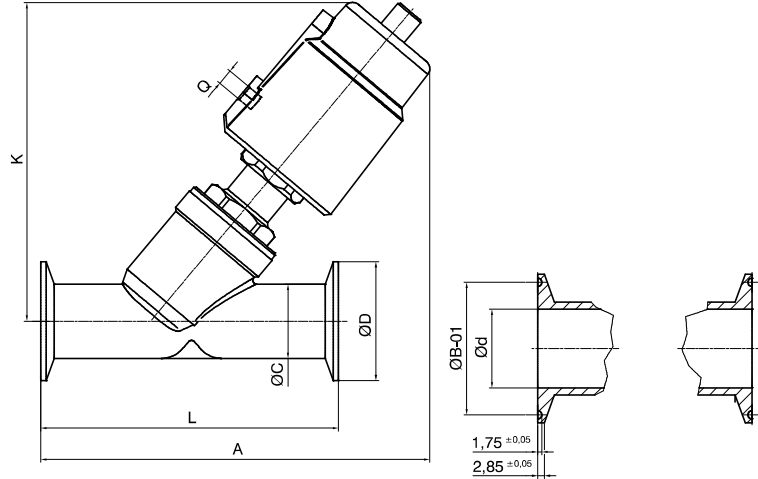


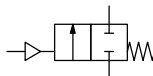
Table of dimensions

CODE	⊕ = Function		Actuator (mm)	A (mm)	K (mm)	Q (mm)	L (mm)	C (mm)	B (mm)	Ød	ØD	⊕ = Material	
	N.O.	N.C.										AISI 304	AISI 316
PVF40F15K-⊕	0	1	40	130	115	1/8"	80	19	27,5	15	34	A	B
PVF50F15K-⊕			50	140	126								
PVF50F20K-⊕			50	158	148		130	25	43,5	19	50,5		
PVF50F25K-⊕			50	165	140								
PVF63F25K-⊕			63	188	166		130	32	43,5	27	50,5		
PVF63F32K-⊕			63	200	174								
PVF90F32K-⊕			90	245	223		146	37	43,5	31	50,5		
PVF63F40K-⊕			63	210	175								
PVF90F40K-⊕			90	255	223		160	40	56,5	33	64		
PVF63F50K-⊕			63	221	185								
PVF90F50K-⊕			90	265	235		175	53	56,5	45	64		

Technical data (N.O. - N.C. versions)

CODE	⊕ = Function		KV (m³/h)	Actuator (mm)	Maximum ΔP (bar) (N.O.)		Maximum ΔP (bar) (N.C.)		Pilot pressure (bar)	⊕ = Material	
	N.O.	N.C.			Above seat	Under seat	Above seat	Under seat		AISI 304	AISI 316
PVF40F15K-⊕	0	1	4,8	40	16	16	16	13	3 ... 8	A	B
PVF50F15K-⊕			4,8	50	16	16	16	14			
PVF50F20K-⊕			10	50	12	16	16	14			
PVF50F25K-⊕			14	50	3	13	16	8			
PVF63F25K-⊕			14	63	16	16	16	13			
PVF63F32K-⊕			23	63	14	13	16	6			
PVF90F32K-⊕			23	90	/	/	16	16			
PVF63F40K-⊕			30	63	14	7	16	5			
PVF90F40K-⊕			30	90	/	16	16	16			
PVF63F50K-⊕			70	63	6	5	9	3			
PVF90F50K-⊕			70	90	/	12	16	10			

Pneumatic symbol



Construction characteristics	Technical characteristics (Valve body)	Technical characteristics (Actuator)
<ul style="list-style-type: none"> - High flow rate thanks to body configuration with inclined seating - Anti water hammer functioning with input below poppet - Pneumatically operated valve with stainless steel body, resistant to ambient corrosion - Self-levelling poppet to ensure improved sealing - Optical position indicator - Self-adjusting maintenance free stuffer seals package - Valves may be mounted in all positions <p>OPTIONS (on request):</p> <ul style="list-style-type: none"> - Double acting versions are available on request 	<ul style="list-style-type: none"> - Material: AISI 316/304 stainless steel - Fluid temperature: -10 °C ... +180 °C - Ambient temperature: -10 °C ... +80 °C - Fluid viscosity: max. 600cSt. - Poppet: PTFE - Seals package: PTFE and FKM 	<ul style="list-style-type: none"> - Body: AISI 304 - Pilot fluid: dry or lubricated air, gas and neutral fluids - Fluid temperature: max. +60 °C