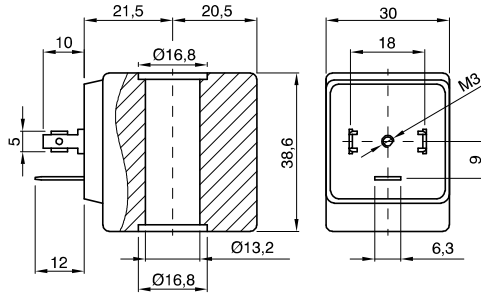




Solenoid coil 30 mm Ø13, type MG



- Options:**
- Electrical connection via cables
 - Special voltages and powers
 - Self-extinguish

Ordering code

MG0

VOLTAGE

4= 12 VDC

5= 24 VDC

● 56= 24 VAC (50-60 Hz)

57= 110 VAC (50-60 Hz)

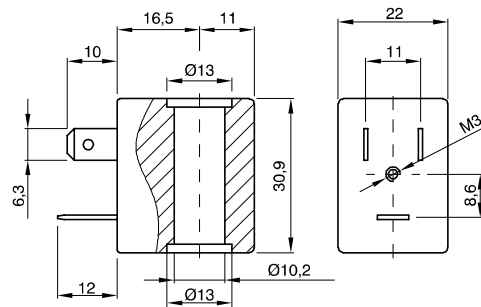
58= 230 VAC (50-60 Hz)



Operational characteristics

Class of insulation	Tolerance on AC voltage	Tolerance on DC voltage	IP Rating with connector	Continuous service	Electrical connection	Connector	Power		Weight (g)
							AC (VA)	DC (W)	
F	-10% ... +15%	±10%	IP65	ED100%	DIN 43650 A	Code: 300.11.00	15	10	120

Solenoid coil 22 mm Ø10, type MI



- Options:**
- Electrical connection via cables
 - Special voltages and powers
 - Self-extinguish

Ordering code

MI0

VOLTAGE

4= 12 VDC

5= 24 VDC

● 21= 48-50 VAC (50-60 Hz)

56= 24 VAC (50-60 Hz)

57= 110 VAC (50-60 Hz)

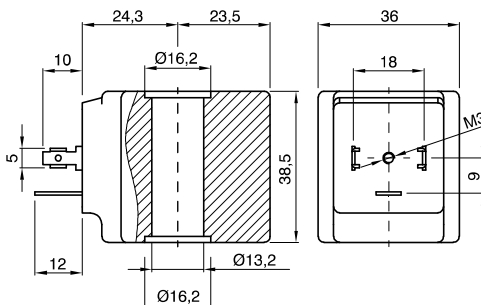
58= 230 VAC (50-60 Hz)



Operational characteristics

Class of insulation	Tolerance on AC voltage	Tolerance on DC voltage	IP Rating with connector	Continuous service	Electrical connection	Connector	Power		Weight (g)
							AC (VA)	DC (W)	
F	-10% ... +15%	±10%	IP65	ED100%	DIN 43650 B	Code: 305.11.00	8	6,5	50

Solenoid coil 36 mm Ø13, type MK



- Options:**
- Electrical connection via cables
 - Special voltages and powers
 - Self-extinguish

Ordering code

MK0

VOLTAGE

4= 12 VDC

5= 24 VDC

● 56= 24 VAC (50-60 Hz)

57= 110 VAC (50-60 Hz)

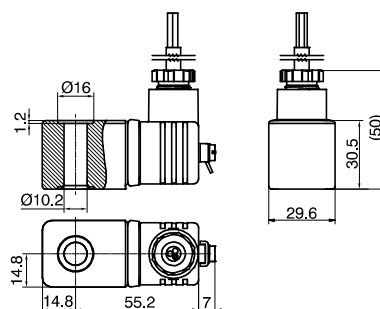
58= 230 VAC (50-60 Hz)



Operational characteristics

Class of insulation	Tolerance on AC voltage	Tolerance on DC voltage	IP Rating with connector	Continuous service	Electrical connection	Connector	Power		Weight (g)
							AC (VA)	DC (W)	
H	-10% ... +15%	±10%	IP65	ED100%	DIN 43650 A	Code: 300.11.00	30	27	200

Solenoid coil 30 mm Ø10, type XME



- CE II 2G Ex mb IIC T6, T5, T4 Gb
CE II 2D Ex mb IIC T85°C, T100°C, T135°C Db IP65

Ordering code

XME0-3

VOLTAGE

5= 24 VDC

● 56= 24 VAC (50-60 Hz)

57= 110 VAC (50-60 Hz)

58= 230 VAC (50-60 Hz)



Operational characteristics

Class of insulation	Tolerance on AC voltage	Tolerance on DC voltage	IP Rating with connector	Continuous service	Electrical connection	Connector	Power		Weight (g)
							AC (VA)	DC (W)	