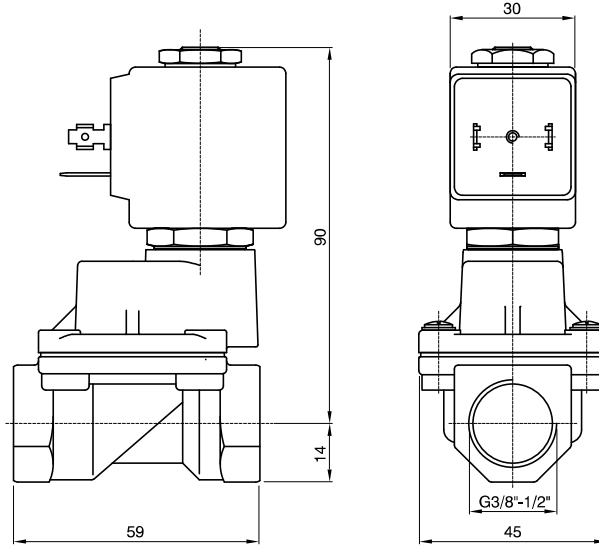




► F3119W - 2-way solenoid valve N.C. brass body and cover, with G connection (ISO 228) - 3/8" and 1/2"

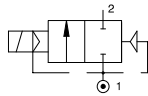


CODE "W" = PTFE seals	G connection (ISO 228) ⊕ = Connection		Orifice (mm)	KV (m ³ /h)	Differential pressure (bar)			Power consumption			⊕ = Solenoid coil		Temperature range (°C)
	C	D			Min	Max		AC Inrush (VA)	AC Holding (VA)	DC (W)	Series	Size	
						AC	DC						
F3119⊕W12/1⊕	3/8"	/	12	2	2,5	10	10	20	15	10	MG	30	-10 ... +180
F3119⊕W12/1⊕	/	1/2"	12	2,2	2,5	10	10						

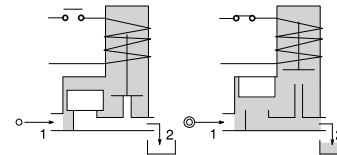
Example: F3119⊕W12/1⊕ => F3119CW12/1MG5:

2-way solenoid valve normally closed, servo-assisted piston for use with steam with G connection (ISO 228) 3/8", PTFE seals, 12 mm orifice, solenoid coil 24 VDC (MG5, size 30 for more information, please refer to the section "Solenoid coils - Series F300").

Pneumatic symbol



Diagram



Construction characteristics	Technical characteristics	
<ul style="list-style-type: none"> - Brass body and cover - AISI 303 stainless steel guide tube - AISI 430FR stainless steel mobile and fixed core - AISI 302 stainless steel springs - AISI 303 stainless steel piston - PTFE piston seal - PTFE sealing assemblies OPTIONS (on request): <ul style="list-style-type: none"> - Chemical nickel plating surface treatment - certified solenoid coils 	Minimum differential pressure (bar)	2,5
	Maximum admitted leakage (NI/h)	<0,2
	Ambient temperature: with class F solenoid coil (°C)	-10 ... +55
	Mounting position	Preferably with solenoid coil upwards
	Weight (g)	630