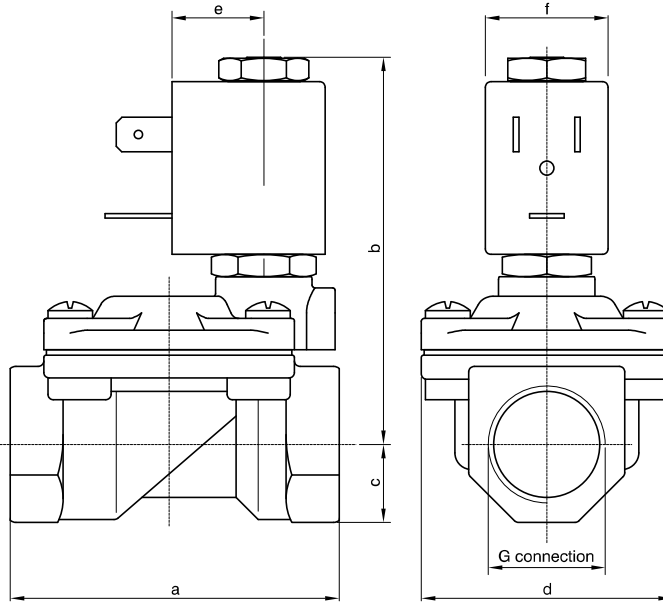




**F3177 - 2-way solenoid valve N.C. stainless steel body and cover, with G connection (ISO 228) - 3/8" ... 1"**

PNEUMAX FLUID CONTROL



CODE "V" = FPM seals	G connection (ISO 228) ⊕ = Connection				Orifice (mm)	KV (m <sup>3</sup> /h)	Differential pressure (bar)			Power consumption			⊕ = Solenoid coil		Temperature range (°C)
	C	D	E	F			Min	Max		AC Inrush (VA)	AC Holding (VA)	DC (W)	Series	Size	
								AC	DC						
F3177⊕V12⊕	3/8"	/			12	2,2	0,15	15	15	12	8	6,5	MI	22	-10 ... +140
F3177⊕V12⊕	/	1/2"	/		12	2,5		15	15						
F3177⊕V18⊕	/	/	3/4"	/	18	5,5		13	13						
F3177⊕V25⊕	/	/	1"		25	10,2		10	10						

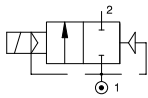
G connection	3/8"	1/2"	3/4"	1"
a	59	59	79	96
b	70	70	76	85
c	11	13	18	20
d	45	45	55	72
e	16			
f	22			
Weight (g)	300	320	550	950

**N.B.** For use with steam maximum admitted pressure PS is 2,5 bar (relative pressure).

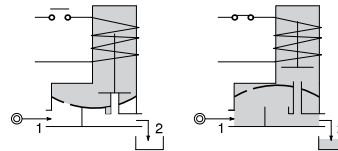
Example: F3177⊕V12⊕ => F3177CV12MI58:

2-way solenoid valve normally closed, servo-assisted diaphragm with G connection (ISO 228) 3/8", FPM seals, 12 mm orifice, solenoid coil 230 VAC (50-60 Hz) (MI58, size 22 for more information, please refer to the section "Solenoid coils - Series F300").

**Pneumatic symbol**



**Diagram**



Construction characteristics	Technical characteristics	
<ul style="list-style-type: none"> <li>- AISI 316 stainless steel body and cover</li> <li>- AISI 303 stainless steel guide tube</li> <li>- AISI 430FR stainless steel mobile and fixed core</li> <li>- AISI 302 stainless steel springs</li> <li>- FPM sealing assemblies</li> </ul> <b>OPTIONS (on request):</b> <ul style="list-style-type: none"> <li>- Manual override</li> <li>- Seals for use with foodstuff fluids</li> <li>- Version with slowed commutation</li> <li>- Silver advance ring</li> <li>- For use with oxygen</li> <li>- XME solenoid coil for potentially explosive environments to ATEX standards - Ex mb IIC</li> <li>-  certified solenoid coils</li> </ul>	Maximum admitted pressure (bar)	25
	Minimum differential pressure (bar)	0,15
	Maximum fluid viscosity (mm <sup>2</sup> /s)	25cSt
	Ambient temperature: with class F solenoid coil (°C)	-10 ... +55
	Mounting position	Preferably with solenoid coil upwards