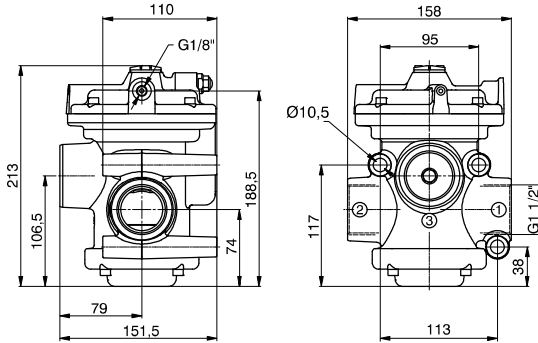




Series N776

Pneumatic-Spring



Weight 3178 gr.
Normally Closed

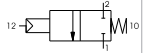
Ordering code

N776/V.22.11.1C

For vacuum - N.C.

Outlet: Port 2

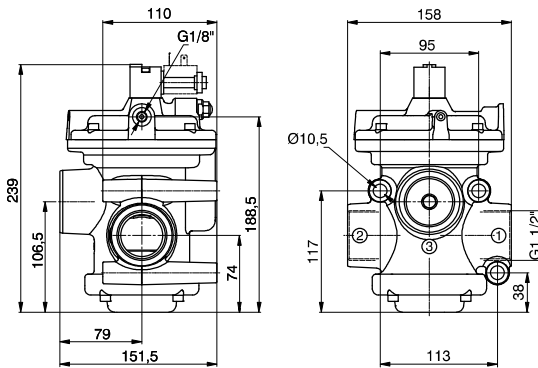
Pump: Port 1



Operational characteristics

Fluid	Vacuum
Minimum piloting pressure (bar)	2
Temperature °C	-5 ... +70
Orifice size (mm)	38
Working port size	G1 1/2"
Pilot port size	G1/8"

Solenoid-Spring



Weight 3238 gr.

Ordering code

N776/V.22.0.Ⓢ.M3R

FUNCTION

1AC= Self feeding
Normally Closed

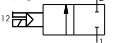
1C= External feeding
Normally Closed

Self feeding

For vacuum - N.C.

Outlet: Port 2

Pump: Port 1



External feeding

For vacuum - N.C.

Outlet: Port 2

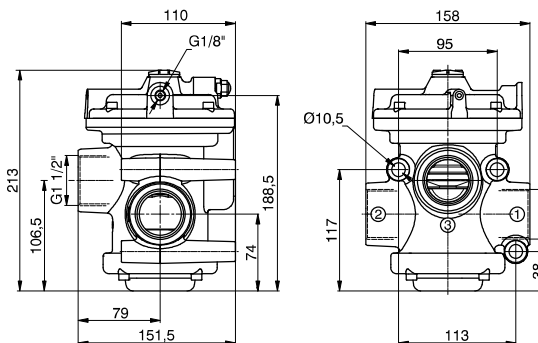
Pump: Port 1



Operational characteristics

Fluid	Vacuum
Minimum piloting pressure (bar)	2
Temperature °C	-5 ... +70
Orifice size (mm)	38
Working port size	G1 1/2"
Pilot port size	G1/8"

Pneumatic-Spring



Weight 3168 gr.
Normally Closed / Normally Open

Ordering code

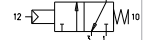
N776/V.32.11.1

For vacuum - N.O.

Exhaust: Port 1

Outlet: Port 2

Pump: Port 3



For vacuum - N.C.

Exhaust: Port 3

Outlet: Port 2

Pump: Port 1



Operational characteristics

Fluid	Vacuum
Minimum piloting pressure (bar)	2
Temperature °C	-5 ... +70