

SERIES *FW2060/70/80*

Guide Carriages made of Special Sliding Plastic



As an ideal complement to the magnetic tape guide rails of the FS series

The guide carriages of the **FW** series are made of a special sliding plastic and are an ideal supplement to the ELGO magnetic tape guide rail of the **FS** series. They are suitable for mounting sensor heads from the ELGO measuring system portfolio and are available in three different versions and sizes.

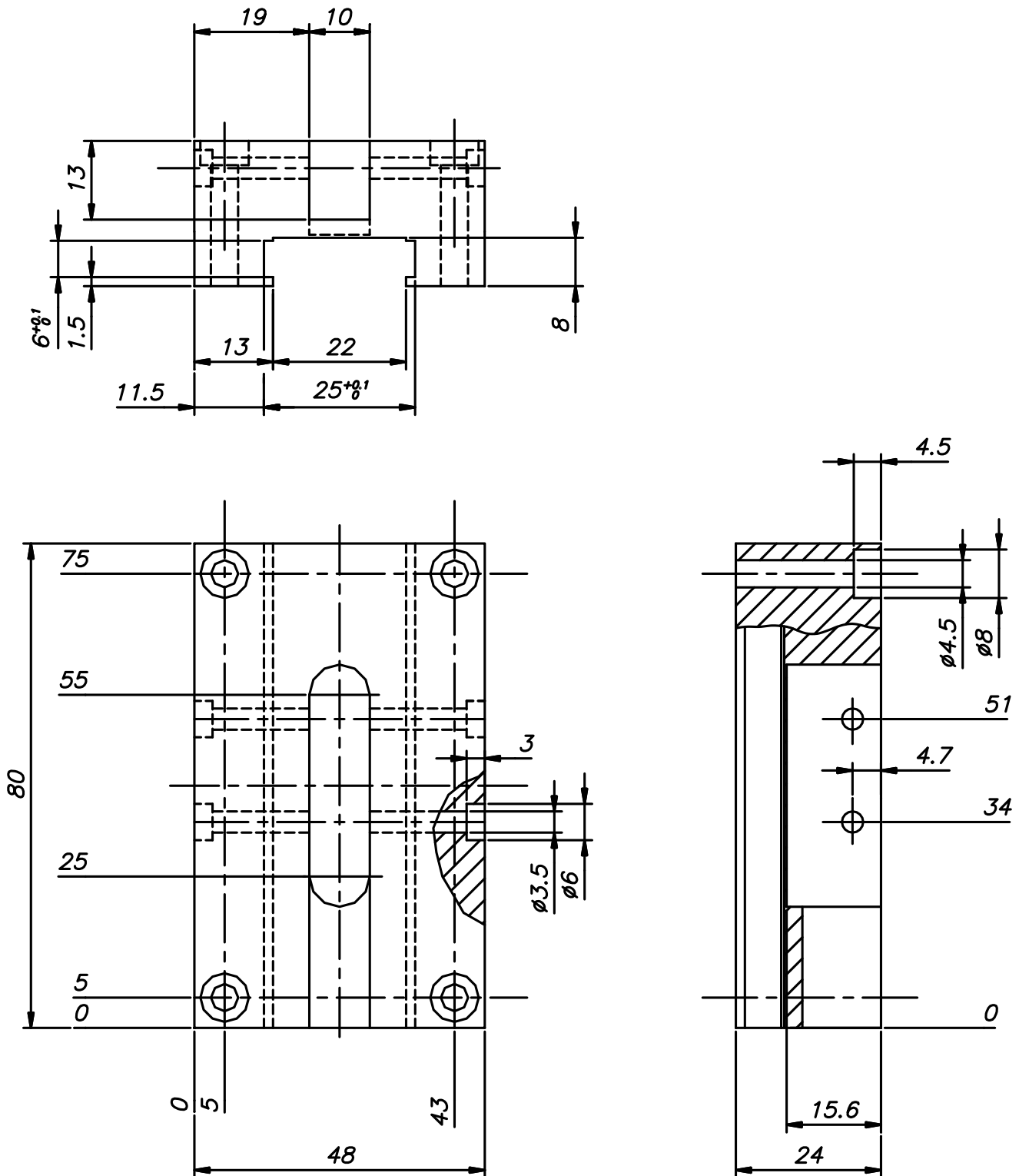
- **FW2060**
Outer dimensions: L x W x H = 80 x 48 x 24 mm
- **FW2070**
Outer dimensions: L x W x H = 80 x 48 x 33 mm
- **FW2080**
Outer dimensions: L x W x H = 100 x 48 x 34 mm

FW2060 - Guide Carriage made of Special Sliding Plastic

FW2060

Suitable for the following ELGO measuring systems: LMIX1 | EMIX1 | DMIX1 | GMIX1A | EMSC1 | LMSC1 | IZ14E | IZ15E | IZ16E | IZ17E. Outer dimensions: L x W x H = 80 x 48 x 24 mm.

Dimensions FW2060:



FW2080 - Guide Carriage made of Special Sliding Plastic

FW2080

Suitable for the magnetic EMAX or EMAL absolute measuring system (exclusively for the housing version with fixed cable outlet).

Outer dimensions: L x W x H = 100 x 48 x 34 mm

Dimensions FW2080:

