



Steel guide trough

Very strong and tough for heavy duty applications



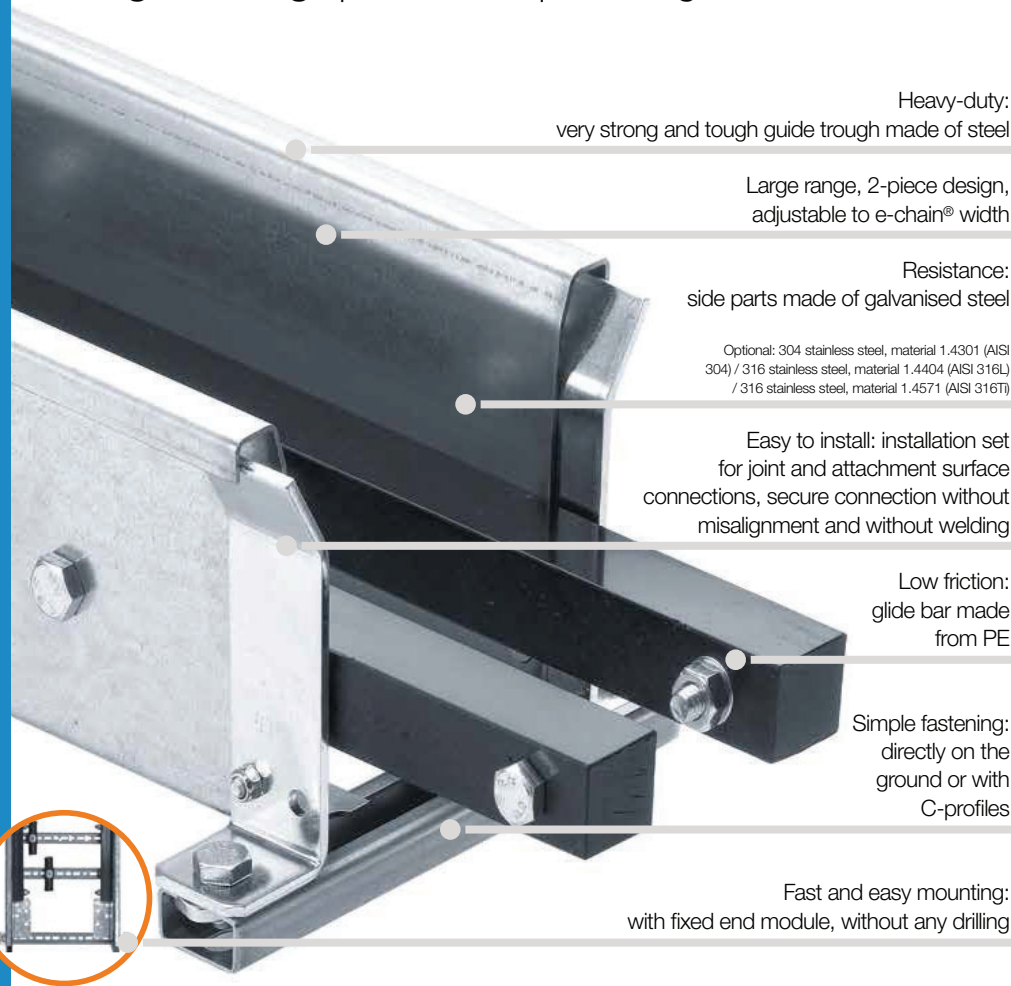
Advantages of the steel guide trough

- Very strong and tough guide trough for applications in tough environments
- Easy assembly due to installation set for joint and attachment surface connection
- Easy mounting directly to the base of the C-profile
- Large range, 2-piece design, adjustable to e-chain® width
- Available in galvanised steel and stainless steel
- Low friction: Glide bar made of PE
- Fixed end module option, for fast and easy mounting - without any drilling available
- Conductivity according to DIN EN 61537 - standard



When to use another guide trough:

- When a corrosion-resistant, seawater-resistant aluminium trough is required
 - ▶ **Aluminium SuperTroughs, page 1298**
- If an even simpler and faster assembly is required
 - ▶ **Aluminium SuperTrough, page 1298**
- When a more abrasion resistant glide bar is required for highly dynamic applications
 - ▶ **High-speed glide bar for some aluminium SuperTroughs, Page 1306**



Heavy-duty:
very strong and tough guide trough made of steel

Large range, 2-piece design,
adjustable to e-chain® width

Resistance:
side parts made of galvanised steel

Optional: 304 stainless steel, material 1.4301 (AISI 304) / 316 stainless steel, material 1.4404 (AISI 316L) / 316 stainless steel, material 1.4571 (AISI 316Ti)

Easy to install: installation set
for joint and attachment surface
connections, secure connection without
misalignment and without welding

Low friction:
glide bar made
from PE

Simple fastening:
directly on the
ground or with
C-profiles

Fast and easy mounting:
with fixed end module, without any drilling

Very stable and tough for heavy-duty applications - steel guide trough

If the igus® installation sets are used, the guide troughs are very easy to assemble. All steel guide troughs are constructed according to the same basic principle. On the following pages, you will find information about dimensions, weights and accessories according to the trough size. On the following pages, you will find information about dimensions, weights and accessories according to the trough size. All sizes use a common C-profile on which the guide parts are assembled. The assembly brackets used vary in height only. Conductivity according to DIN EN 61537 - standard.

Part No. without glide bars	Part No. with glide bars	Outer height H_{Ra} [mm]	Part No. Installation set	Side part material	Page
-----------------------------	--------------------------	----------------------------	---------------------------	--------------------	------



Steel guide trough
very strong and tough for heavy-duty applications

92.30	92.31	70	92.50	galvanised steel ¹⁾	1334
95.30	95.31	100	95.50	galvanised steel ¹⁾	1336
99.30	99.31	100	95.50	galvanised steel ¹⁾	1338
97.30	97.31	130	93.50	galvanised steel ¹⁾	1340
93.30	93.31	130	93.50	galvanised steel ¹⁾	1342
94.30	94.31	170	94.50	galvanised steel ¹⁾	1344
94.14550.30	94.14550.31	170	94.50	galvanised steel ¹⁾	1346
96.30	96.31	220	96.50	galvanised steel ¹⁾	1348
98.30	98.31	300	98.50	galvanised steel ¹⁾	1350
90.30	90.31	480	90.50	galvanised steel ¹⁾	1352
91.10 - 91.71 ²⁾		48	-	galvanised steel	1333

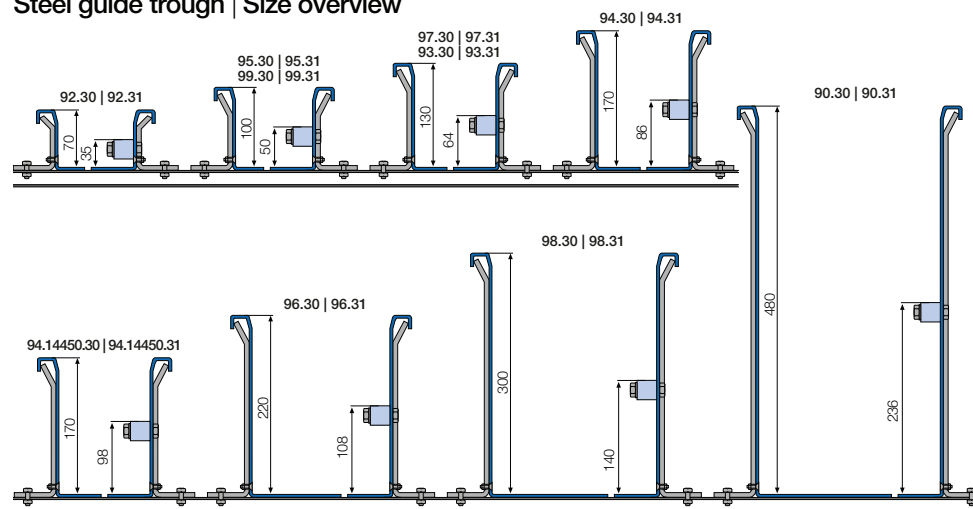
1) Optional: 304 stainless steel, material 1.4301 (AISI 304) / 316 stainless steel, material 1.4404 (AISI 316L) / 316 stainless steel, material 1.4571 (AISI 316Ti)

2) Steel guide trough, 1 piece Only for series 10, 15 and B15

Available from stock. Ready to ship in 24 - 48hrs.*

*Average time before the ordered goods are dispatched.

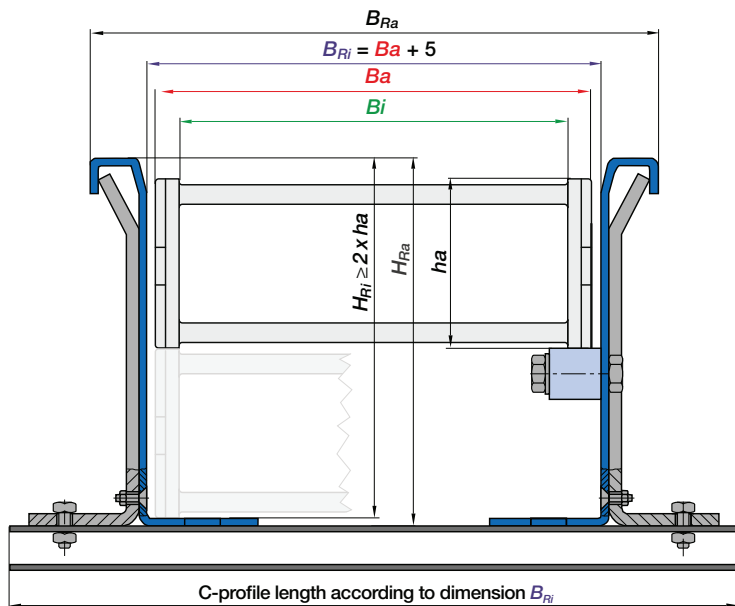
Steel guide trough | Size overview



Components

- = Guide trough¹⁾
- = Glide bar
- = Installation set
- = C-profile²⁾

- Ba = e-chain[®] outer width
- Bi = e-chain[®] inner width
- ha = e-chain[®] outer height
- H_{Ri} = Trough inner height
- H_{Ra} = Trough outer height
- B_{Ri} = Trough inner width
- B_{Ra} = Trough outer width
- n_{Mon} = Number of installation sets (left/right)
- n_{Ri} = Number of trough sets (left/right)

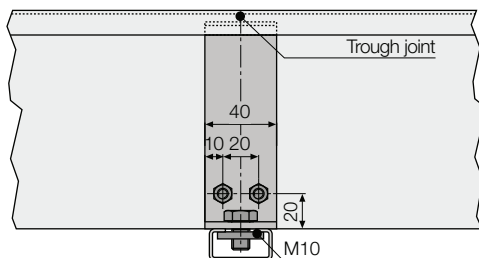


1) Guide trough side parts made from galvanised steel. Optional: 304 stainless steel, material 1.4301 (AISI 304) / 316 stainless steel, material 1.4404 (AISI 316L) / 316 stainless steel, material 1.4571 (AISI 316Ti) 2) C-profile also available in 304 stainless steel. Material 1.4301 (AISI 304)

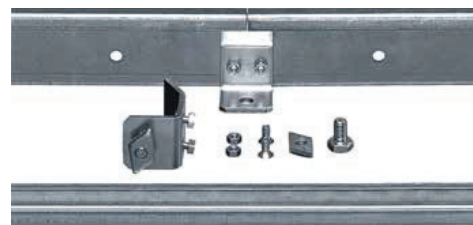
Steel guide trough | Features



Steel guide trough available without and with glide bars



Side view of trough joint - steel guide troughs - all dimensions except for height apply to all sizes



Installation set for joint and attachment surface connections, secure connection without misalignment and without welding

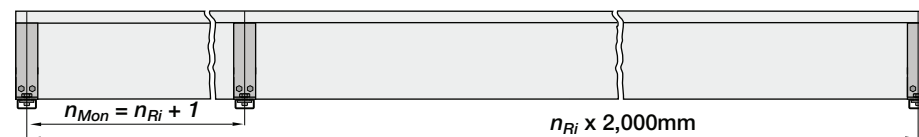
Configured according to your requirements



Quickly and easily assemble the right steel guide trough for your application

- Selection of the suitable guide trough according to the e-chain[®] series and e-chain[®] width Bi
- Determine the feed-in point of the cables
- Determine travel distance and thus the length of the required guide trough and the number of trough sections. (standard length of a trough side part: 2,000mm). For centre infeed, the length of the guide trough is calculated from half the travel length with and half the travel length without the glide bar
- Number and type of the installation set

The quantity of the installation set is calculated from the number of the trough sections + 1 set:



- The installation set matches the igus[®] C-profile option
 - If you have opted for an e-chain[®] with KMA mounting brackets, we offer a fixed end module for the quick and simple fastening of the e-chain[®] in the trough without drilling
- Installation Guide-PDF with detailed assembly information ► www.igus.eu/installation-guide-pdf

Order example | Examples based on Part No. 94.30 | 94.31

Order example: length of travel 30m - centre mounted for series E4.56.20.300.0 with $B_{Ri} = 239$

1 set of 2 trough side parts, incl. glide strips, without glide bars, 2m section 94.30

Order text: 16m guide trough without glide bars (8 sets of 2m sections)

1 set of 2 trough side parts, incl. glide strips, without glide bars, 2m section 94.31

Order text: 16m guide trough with glide bars (8 sets of 2m sections)

Installation set basic complete (quantity: guide trough sets + 1) 94.50.350

Order text: 17 installation sets

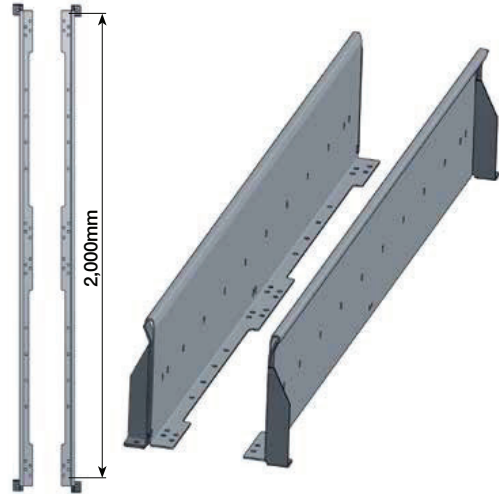
Fixed end module 94.80.01

Order text: 1 set

Calculation - travel centre fixed: half travel length, rounded to full 2m sections = X m.
Guide trough length without glide bars + X m guide trough length with glide bars
+ installation sets (number of trough sections + 1)

Steel guide trough | Fixed end module

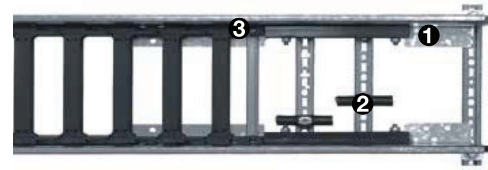
Quick and simple fastening onto the steel guide trough



When installing the mounting brackets at the fixed end, the steel trough normally needs to be drilled to match the mounting bracket hole pattern. Alternatively, with the new fixed end module the holes are pre-prepared so that the 2,000mm long component can be used for centre fed, end fed and even for reverse fed applications.

- 1 Fast fixation of igus® mounting brackets thanks to prefabricated boreholes
- 2 Fast installation of C-profile for strain relief
- 3 Fast bolting of glide bars

Industries: power plants, coal conveyors, mining, composting plants, raw material storage, gypsum plants, etc.



Series	For steel guide trough	For e-chain® Series
90.80.01*	90.30 90.31	800, 840
92.80.01	92.30 92.31	E2.26, 2500, 255, E6.29/R6.29
93.80.01	93.30 93.31	E4.48L/R4.48L, E4Q.44/H4Q.44, E2.48, 3500, R68, E4.42/H4.42/R4.42, E6.52/R6.52
94.80.01	94.30 94.31	E4.64L, E4Q.58/H4Q.58, E4.56/H4.56/R4.56, 14040/14140/R18840, 14240/14340, E6.62, 4040HD/8840HD
95.80.01	95.30 95.31	E2.38, 2700
96.80.01	96.30 96.31	E4Q.82/H4Q.82, E4.80/H4.80/R4.80, 15050/15150/R19850, E6.80, 5050HD/9850HD
97.80.01	97.30 97.31	E4.38L/R4.38L, E4Q.34/H4Q.34, E4.32/H4.32/R4.32, E6.40/R6.40
98.80.01	98.30 98.31	E4.112/R4.112, 1640/R1608
99.80.01	99.30 99.31	E4.31L/R4.31L, E4.28/R4.28, E6.35
94.14550.80.01*	94.14550.30 94.14550.31	14550/14650/R19050

*Fixed end module available upon request. Please consult igus® for delivery time.

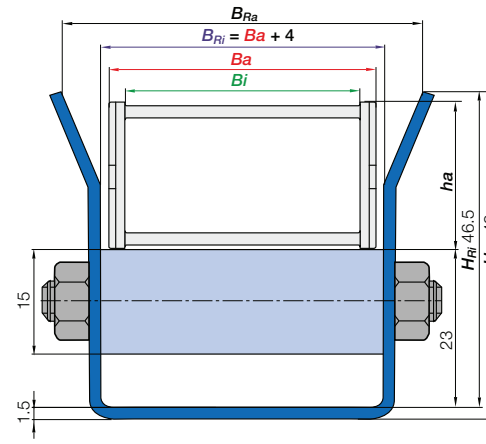


Fixed end module - length 2,000mm

Available from stock. Ready to ship in 24 - 48hrs.*
*Average time before the ordered goods are dispatched.

Steel guide trough | One-piece, U-shaped

Special solution for series 10, B15 and 15



Components

- = Guide trough
- = Glide bar
- = fastening screws

- B_a = e-chain® outer width
- B_i = e-chain® inner width
- h_a = e-chain® outer height
- H_{Ri} = Trough inner height
- H_{Ra} = Trough outer height
- B_{Ri} = Trough inner width
- B_{Ra} = Trough outer width

For the following igus® series

E2 mini

- 10
- B15


zipper

- 15

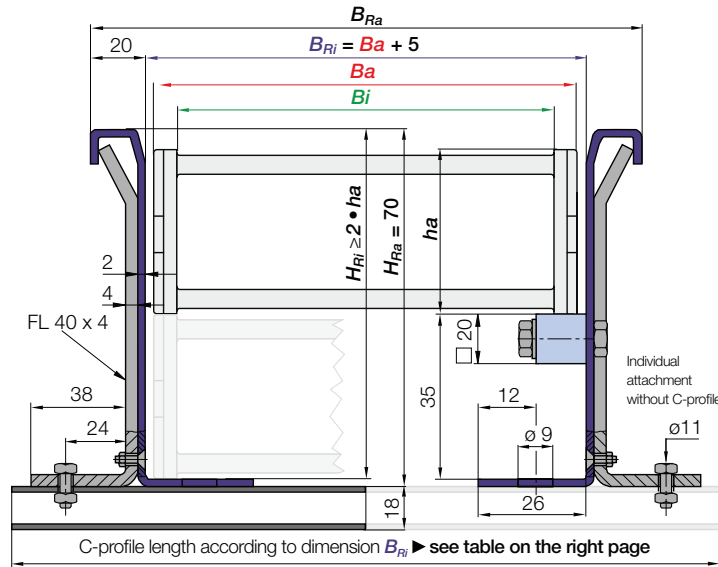


For series 10, 15 and B15 one-piece, U-shaped steel guide troughs are available. They have a continuous glide bar for the gliding section of the trough. The guide troughs for the e-chains® with an outer width up to 100mm are available from stock. For wider e-chains® special solutions are possible. For this trough sizes no installation sets are necessary as the guide troughs are made of a single U-profile. The solution for the trough joint is specific for any application. (material: galvanised steel)

Series	For e-chain® Series	B _{Ra} [mm]	B _{Ri} [mm]	Weight [kg/m]
91.10 Trough without glide bar, 2m section	10.015/15.015/B15.015	40.5	30	≈ 1.50
91.11 Trough with glide bar, 2m section	10.015/15.015/B15.015	40.5	30	≈ 2.10
91.20 Trough without glide bar, 2m section	10.025/15.025/B15.025	50.5	40	≈ 1.65
91.21 Trough with glide bar, 2m section	10.025/15.025/B15.025	50.5	40	≈ 2.35
91.30 Trough without glide bar, 2m section	10.038/15.038/B15.038	62.5	52	≈ 1.80
91.31 Trough with glide bar, 2m section	10.038/15.038/B15.038	62.5	52	≈ 2.70
91.40 Trough without glide bar, 2m section	10.050/15.050/B15.050	72.5	62	≈ 1.90
91.41 Trough with glide bar, 2m section	10.050/15.050/B15.050	72.5	62	≈ 3.15
91.50 Trough without glide bar, 2m section	10.5/15.5/B15.5	89.5	79	≈ 2.15
91.51 Trough with glide bar, 2m section	10.5/15.5/B15.5	89.5	79	≈ 4.30
91.60 Trough without glide bar, 2m section	10.6/15.6/B15.6	106.5	96	≈ 2.40
91.61 Trough with glide bar, 2m section	10.6/15.6/B15.6	106.5	96	≈ 4.60
91.70 Trough without glide bar, 2m section	10.7/15.7/B15.7	126.5	116	≈ 2.80
91.71 Trough with glide bar, 2m section	10.7/15.7/B15.7	126.5	116	≈ 5.20

 For the following igus® series

- E2.1**
- E2.26
- E2/000**
- 2500
- 255
- E6**
- E6.29/R6.29



Note: The inner width of the guide through and the C-profile length of the installation set can differ according to the bracket you choose. Please call us.

Full set

Full trough side part set	Part No.	Weight
1 set of 2 trough side parts, without glide bars, 2m section, galvanised steel	92.30.E ¹⁾ / E44 ²⁾ / E45 ³⁾	≈ 7.60kg
1 set of 2 trough side parts, with glide bars, 2m section, galvanised steel	92.31.E ¹⁾ / E44 ²⁾ / E45 ³⁾	≈ 9.60kg
Full installation set	Part No.	Weight
1 installation set without C-profile	92.50	≈ 0.34kg
1 installation set with C-profile (C-profile length according to dimension B_{Ri})	92.50.XXX*	upon request

*Please add the C-profile length XXX as shown on the tables on the right page. Example: 92.50.200

Individual parts and options

Components as individual parts, trough	Part No.	Weight
1 trough side part, 2m section	92.11.E ¹⁾ / E44 ²⁾ / E45 ³⁾	≈ 3.80kg
1 glide bar, 2m section	92.01	≈ 0.75kg
1 glide bar, 2m section + 11 screw sets	92.20	≈ 0.98kg
1 package with 11 screw sets (for glide bar, 2m section)	92.21	≈ 0.23kg
Components as individual parts, installation set	Part No.	Weight
1 clamping bracket, individual	92.51	≈ 0.12kg
1 countersunk-head screw, individual	92.53 / M6 x 14	
1 hexagon nut, individual	92.54 / M6	
1 hexagon-head screw, individual	92.55 / M10 x 16	
1 glide nut, individual	92.56 / M10	
1 C-profile, individual (C-profile length according to dimension B_{Ri})	92.52.XXX*.E ¹⁾	≈ 0.90kg/m
Additional options for simple fastening of the e-chain® without drilling	Part No.	Weight
1 set fixed end module. More information ▶ Page 1332	92.80.01*	≈ 7.60kg


*Please add the C-profile length XXX as shown on the tables on the right page. Example: 92.52.200.E

- 1) Trough side parts + C-profile - also available in 304 stainless steel, material 1.4301 (AISI 304). Please add index E to the Part No.
- 2) Trough side parts - also available in 316 stainless steel, material 1.4404 (AISI 316L). Please add index E44 to the Part No.
- 3) Trough side parts - also available in 316 stainless steel, material 1.4571 (AISI 316Ti). Please add index E45 to the Part No.

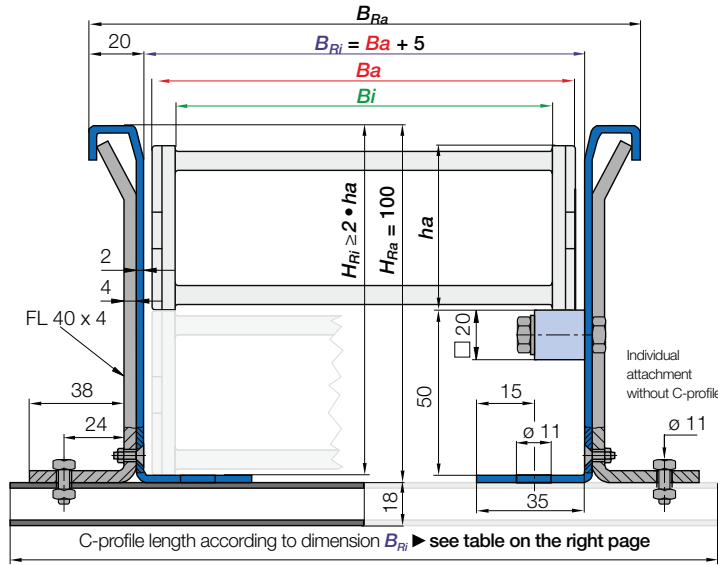
E2.26			2500			255			E6.29/R6.29		
Width index	B_{Ri} [mm]	Part No. Installation set	Width index	B_{Ri} [mm]	Part No. Installation set	Width index	B_{Ri} [mm]	Part No. Installation set	Width index	B_{Ri} [mm]	Part No. Installation set
.025	47	upon request	.02	46	upon request	.03	59	upon request	.030	51	upon request
.038	60	upon request	.03	59	upon request	.05	78	92.50.200	.040	61	upon request
.057	79	92.50.200	.05	78	92.50.200	.07	98	92.50.225	.050	71	92.50.200
.077	99	92.50.225	.07	98	92.50.225	.10	124	92.50.250	.060	81	92.50.200
.089	111	92.50.225	.09	110	92.50.225				.070	91	92.50.200
.103	125	92.50.250	.10	124	92.50.250				.080	101	92.50.225
.125	147	92.50.275	.12	146	92.50.275				.090	111	92.50.225
									.100	121	92.50.250
									.110	131	92.50.250
									.120	141	92.50.250



igus® Steel guide trough in use

 For the following igus® series

- E2.1**
- E2.38
- E2/000**
- 2700
- E2R**
- R58



Note: The inner width of the guide through and the C-profile length of the installation set can differ according to the bracket you choose. Please call us.

Full set

Full trough side part set	Part No.	Weight
1 set of 2 trough side parts, without glide bars, 2m section, galvanised steel	95.30.E ¹⁾ / E44 ²⁾ / E45 ³⁾	≈ 10.00kg
1 set of 2 trough side parts, with glide bars, 2m section, galvanised steel	95.31.E ¹⁾ / E44 ²⁾ / E45 ³⁾	≈ 12.00kg
Full installation set	Part No.	Weight
1 installation set without C-profile	95.50	≈ 0.41kg
1 installation set with C-profile (C-profile length according to dimension B_{Ri})	95.50.XXX*	upon request

*Please add the C-profile length XXX as shown on the tables on the right page. Example: 95.50.200

Individual parts and options

Components as individual parts, trough	Part No.	Weight
1 trough side part, 2m section	95.11.E ¹⁾ / E44 ²⁾ / E45 ³⁾	≈ 5.00kg
1 glide bar, 2m section	92.01	≈ 0.75kg
1 glide bar, 2m section + 11 screw sets	92.20	≈ 0.98kg
1 package with 11 screw sets (for glide bar, 2m section)	92.21	≈ 0.23kg
Components as individual parts, installation set	Part No.	Weight
1 clamping bracket, individual	95.51	≈ 0.16kg
1 countersunk-head screw, individual	92.53 / M6 x 14	
1 hexagon nut, individual	92.54 / M6	
1 hexagon-head screw, individual	92.55 / M10 x 16	
1 glide nut, individual	92.56 / M10	
1 C-profile, individual (C-profile length according to dimension B_{Ri})	92.52.XXX*.E ¹⁾	≈ 0.90kg/m
Additional options for simple fastening of the e-chain® without drilling	Part No.	Weight
1 set fixed end module. More information ► Page 1332	95.80.01	≈ 10.00kg


*Please add the C-profile length XXX as shown on the tables on the right page. Example: 95.52.200.E

- 1) Trough side parts + C-profile - also available in 304 stainless steel, material 1.4301 (AISI 304). Please add index E to the Part No.
- 2) Trough side parts - also available in 316 stainless steel, material 1.4404 (AISI 316L). Please add index E44 to the Part No.
- 3) Trough side parts - also available in 316 stainless steel, material 1.4571 (AISI 316Ti). Please add index E45 to the Part No.

E2.38			2700			R58		
Width index	B_{Ri} [mm]	Part No. Installation set	Width index	B_{Ri} [mm]	Part No. Installation set	Width index	B_{Ri} [mm]	Part No. Installation set
.50	72	95.50.200	.05	71	95.50.200	.050	71	95.50.200
.65	87	95.50.200	.06	86	95.50.200	.075	96	95.50.225
.75	97	95.50.225	.07	96	95.50.225	.100	121	95.50.250
.90	112	95.50.225	.09	111	95.50.225	.125	146	95.50.275
.100	122	95.50.250	.10	121	95.50.250	.150	171	95.50.300
.125	147	95.50.275	.12	146	95.50.275	.175	196	95.50.325
.150	172	95.50.300	.15	171	95.50.300	.200	221	95.50.350
.175	200	95.50.325	.17	199	95.50.325			



igus® steel guide trough used in a storage and retrieval equipment with series E2/000 and chainflex® cables

 For the following igus® series

E4.1L

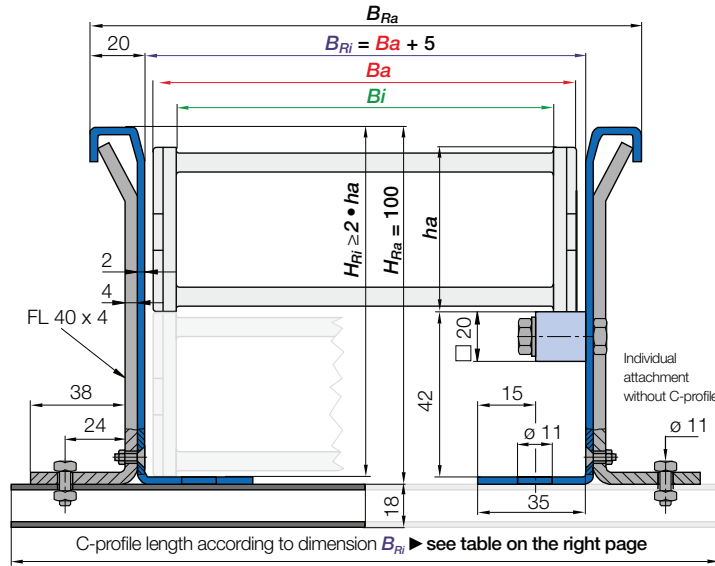
- E4.31L/R4.31L

E4.1

- E4.28/R4.28

E6

- E6.35



Note: The inner width of the guide through and the C-profile length of the installation set can differ according to the bracket you choose. Please call us.

Full set

Full trough side part set	Part No.	Weight
1 set of 2 trough side parts, without glide bars, 2m section, galvanised steel	99.30.E ¹⁾ / E44 ²⁾ / E45 ³⁾	≈ 10.00kg
1 set of 2 trough side parts, with glide bars, 2m section, galvanised steel	99.31.E ¹⁾ / E44 ²⁾ / E45 ³⁾	≈ 12.00kg
Full installation set	Part No.	Weight
1 installation set without C-profile	95.50	≈ 0.41kg
1 installation set with C-profile (C-profile length according to dimension B_{Ri})	95.50.XXX*	upon request

*Please add the C-profile length XXX as shown on the tables on the right page. Example: 95.50.200

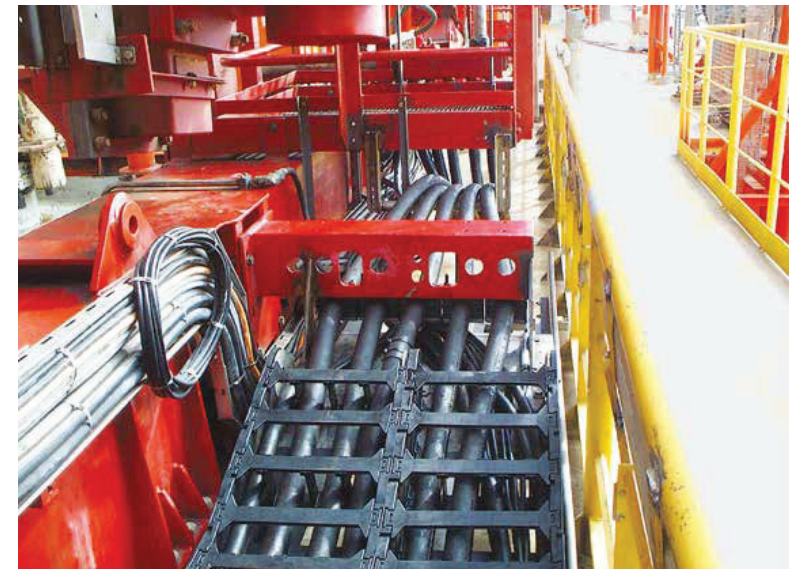
Individual parts and options

Components as individual parts, trough	Part No.	Weight
1 trough side part, 2m section	99.11.E ¹⁾ / E44 ²⁾ / E45 ³⁾	≈ 5.00kg
1 glide bar, 2m section	92.01	≈ 0.75kg
1 glide bar, 2m section + 11 screw sets	92.20	≈ 0.98kg
1 package with 11 screw sets (for glide bar, 2m section)	92.21	≈ 0.23kg
Components as individual parts, installation set	Part No.	Weight
1 clamping bracket, individual	95.51	≈ 0.16kg
1 countersunk-head screw, individual	92.53 / M6 x 14	
1 hexagon nut, individual	92.54 / M6	
1 hexagon-head screw, individual	92.55 / M10 x 16	
1 glide nut, individual	92.56 / M10	
1 C-profile, individual (C-profile length according to dimension B_{Ri})	92.52.XXX*.E ¹⁾	≈ 0.90kg/m
Additional options for simple fastening of the e-chain® without drilling	Part No.	Weight
1 set fixed end module. More information ▶ Page 1332	99.80.01	≈ 10.00kg

*Please add the C-profile length XXX as shown on the tables on the right page. Example: 92.52.200.E

- 1) Trough side parts + C-profile - also available in 304 stainless steel, material 1.4301 (AISI 304). Please add index E to the Part No.
- 2) Trough side parts - also available in 316 stainless steel, material 1.4404 (AISI 316L). Please add index E44 to the Part No.
- 3) Trough side parts - also available in 316 stainless steel, material 1.4571 (AISI 316Ti). Please add index E45 to the Part No.

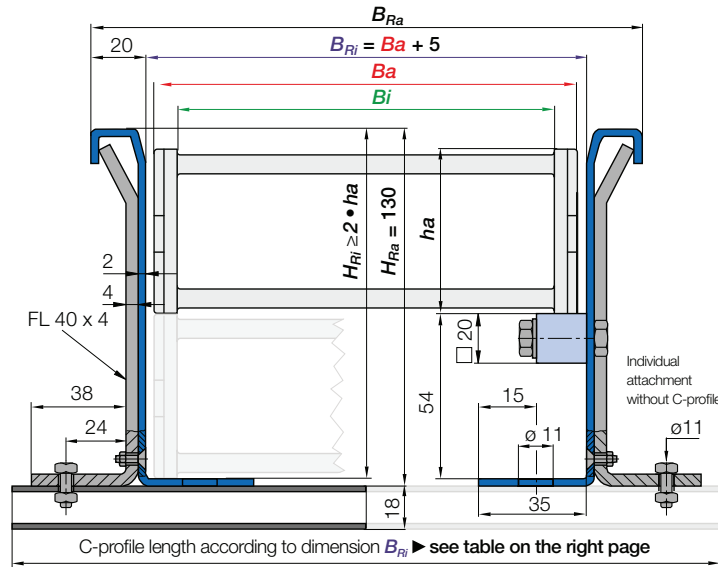
E4.31L/R4.31L			E4.28/R4.28			E6.35		
Width index	B_{Ri} [mm]	Part No. Installation set	Width index	B_{Ri} [mm]	Part No. Installation set	Width index	B_{Ri} [mm]	Part No. Installation set
.040	59	upon request	.040	65	upon request	.030	55	upon request
.050	69	upon request	.050	75	95.50.200	.040	65	upon request
.062	81	95.50.200	.062	87	95.50.200	.050	75	95.50.200
.075	94	95.50.200	.070	95	95.50.200	.060	85	95.50.200
.087	106	95.50.225	.075	100	95.50.225	.070	95	95.50.200
.100	119	95.50.225	.087	112	95.50.225	.080	105	95.50.225
.112	131	95.50.250	.100	125	95.50.250	.090	115	95.50.225
.125	144	95.50.250	.125	150	95.50.275	.100	125	95.50.250
.137	156	95.50.275	.150	175	95.50.300	.110	135	95.50.250
.150	169	95.50.275	.175	200	95.50.325	.120	145	95.50.250
.162	181	95.50.300	.200	225	95.50.350			
.175	194	95.50.300	.225	250	95.50.375			
.187	206	95.50.325	.250	275	95.50.400			
.200	219	95.50.325	.275	300	95.50.425			
			.300	325	95.50.450			



Light weight and high strength: igus® polymer e-chain® carries rigid hydraulic hoses

For the following igus® series

- E4.1L**
- E4.38L/R4.38L
- E4Q**
- E4Q.34/H4Q.34
- E4.1**
- E4.32/H4.32/R4.32
- E6**
- E6.40/R6.40



Note: The inner width of the guide trough and the C-profile length of the installation set can differ according to the bracket you choose. Please call us.

C-profile length according to dimension B_{Ri} ▶ see table on the right page

Full set

Full trough side part set	Part No.	Weight
1 set of 2 trough side parts, without glide bars, 2m section, galvanised steel	97.30.E ¹⁾ / E44 ²⁾ / E45 ³⁾	≈ 11.80kg
1 set of 2 trough side parts, with glide bars, 2m section, galvanised steel	97.31.E ¹⁾ / E44 ²⁾ / E45 ³⁾	≈ 13.60kg
Full installation set	Part No.	Weight
1 installation set without C-profile	93.50	≈ 0.49kg
1 installation set with C-profile (C-profile length according to dimension B_{Ri})	93.50.XXX*	upon request

*Please add the C-profile length XXX as shown on the tables on the right page. Example: 93.50.350

Individual parts and options

Components as individual parts, trough	Part No.	Weight
1 trough side part, 2m section	97.11.E ¹⁾ / E44 ²⁾ / E45 ³⁾	≈ 5.90kg
1 glide bar, 2m section	92.01	≈ 0.75kg
1 glide bar, 2m section + 11 screw sets	92.20	≈ 0.98kg
1 package with 11 screw sets (for glide bar, 2m section)	92.21	≈ 0.23kg
Components as individual parts, installation set	Part No.	Weight
1 clamping bracket, individual	93.51	≈ 0.20kg
1 countersunk-head screw, individual	92.53 / M6 x 14	
1 hexagon nut, individual	92.54 / M6	
1 hexagon-head screw, individual	92.55 / M10 x 16	
1 glide nut, individual	92.56 / M10	
1 C-profile, individual (C-profile length according to dimension B_{Ri})	92.52.XXX*.E ¹⁾	≈ 0.90kg/m
Additional options for simple fastening of the e-chain® without drilling	Part No.	Weight
1 set fixed end module. More information ▶ Page 1332	97.80.01	≈ 11.80kg


*Please add the C-profile length XXX as shown on the tables on the right page. Example: 92.52.350.E

- 1) Trough side parts + C-profile - also available in 304 stainless steel, material 1.4301 (AISI 304). Please add index E to the Part No.
- 2) Trough side parts - also available in 316 stainless steel, material 1.4404 (AISI 316L). Please add index E44 to the Part No.
- 3) Trough side parts - also available in 316 stainless steel, material 1.4571 (AISI 316Ti). Please add index E45 to the Part No.

E4.38L/R4.38L			E4Q.34/H4Q.34			E4.32/H4.32/R4.32			E6.40/R6.40		
Width index	B_{Ri} [mm]	Part No. Installation set	Width index	B_{Ri} [mm]	Part No. Installation set	Width index	B_{Ri} [mm]	Part No. Installation set	Width index	B_{Ri} [mm]	Part No. Installation set
.050	71	93.50.200	.075	103	93.50.225	.05	78	93.50.200	.040	65	upon request
.062	83	93.50.200	.087	115	93.50.225	.06	96	93.50.225	.060	75	93.50.200
.075	96	93.50.225	100	128	93.50.250	.07	103	93.50.225	.062	87	93.50.200
.087	108	93.50.225	108	136	93.50.250	.087	115	93.50.225	.070	95	93.50.225
.100	121	93.50.250	112	141	93.50.250	.10	128	93.50.250	.075	100	93.50.225
.105	126	93.50.250	125	153	93.50.275	.11	136	93.50.250	.087	112	93.50.225
.112	133	93.50.250	137	166	93.50.275	.112	141	93.50.250	.100	125	93.50.250
.125	146	93.50.275	150	178	93.50.300	.12	153	93.50.275	.125	150	93.50.275
.137	158	93.50.275	162	191	93.50.300	.137	166	93.50.275	.150	175	93.50.300
.150	171	93.50.300	168	196	93.50.325	.15	178	93.50.325	.175	200	93.50.325
.162	183	93.50.300	175	203	93.50.325	.162	191	93.50.300	.200	225	93.50.350
.175	196	93.50.325	187	216	93.50.325	.17	196	93.50.325	.225	250	93.50.375
.187	208	93.50.325	200	228	93.50.350	.18	203	93.50.325	.250	275	93.50.400
200	221	93.50.350	212	241	93.50.350	.187	216	93.50.325	.275	300	93.50.425
212	233	93.50.350	225	253	93.50.375	.20	228	93.50.350	.300	325	93.50.450
225	246	93.50.375	237	266	93.50.375	.212	241	93.50.350			
237	258	93.50.375	250	278	93.50.400	.23	253	93.50.375			
250	271	93.50.400	262	291	93.50.400	.237	266	93.50.375			
262	283	93.50.400	275	303	93.50.425	.25	278	93.50.400			
275	296	93.50.425	287	316	93.50.425	.262	291	93.50.400			
287	308	93.50.425	300	328	93.50.450	.28	303	93.50.425			
300	321	93.50.450	312	341	93.50.450	.29	316	93.50.425			
312	333	93.50.450	325	353	93.50.475	.30	328	93.50.450			
325	346	93.50.475	337	366	93.50.475	.312	341	93.50.450			
337	358	93.50.475	350	378	93.50.500	.325	353	93.50.475			
350	371	93.50.500	362	391	93.50.500	.337	366	93.50.475			
362	383	93.50.500	375	403	93.50.525	.350	378	93.50.500			
375	396	93.50.525	387	416	93.50.525	.362	391	93.50.500			
387	408	93.50.525	400	428	93.50.550	.375	403	93.50.525			
400	421	93.50.550				.387	416	93.50.525			
						.400	428	93.50.550			

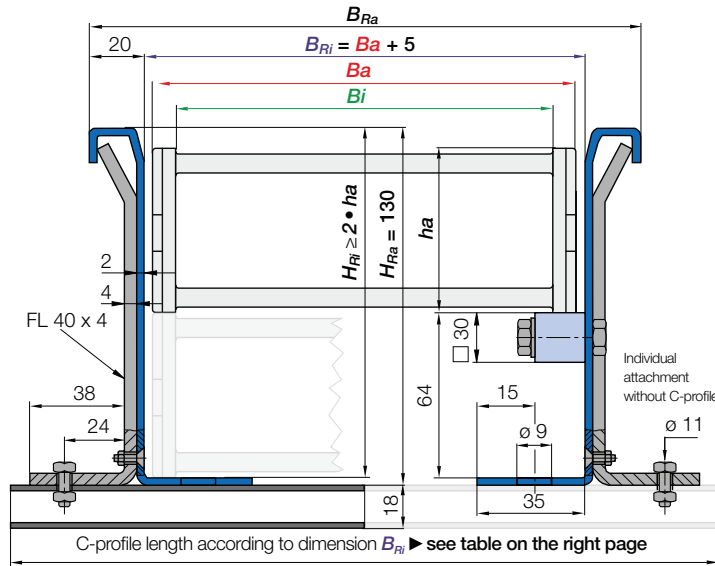


igus® system E4 with extension link on a ship loader for coal handling. Travel 105m, speed 240m/min, fill weight 53kg/m

 For the following igus® series

- E2.1**
- E2.48
- E2/000**
- 3500
- E2R**
- R68
- E4.1L**
- E4.48L/R4.48L
- E4Q**
- E4Q.44/H4Q.44
- E4.1**
- E4.42/H4.42/R4.42
- E6**
- E6.52/R6.52

Note: The inner width of the guide through and the C-profile length of the installation set can differ according to the bracket you choose. Please call us.



C-profile length according to dimension B_{Ri} ▶ see table on the right page

Full set

Full trough side part set	Part No.	Weight
1 set of 2 trough side parts, without glide bars, 2m section, galvanised steel	93.30.E ¹⁾ / E44 ²⁾ / E45 ³⁾	≈ 11.80kg
1 set of 2 trough side parts, with glide bars, 2m section, galvanised steel	93.31.E ¹⁾ / E44 ²⁾ / E45 ³⁾	≈ 16.20kg
Full installation set	Part No.	Weight
1 installation set without C-profile	93.50	≈ 0.49kg
1 installation set with C-profile (C-profile length according to dimension B_{Ri})	93.50.XXX*	upon request

*Please add the C-profile length XXX as shown on the tables on the right page. Example: 93.50.350

Individual parts and options

Components as individual parts, trough	Part No.	Weight
1 trough side part, 2m section	93.11.E ¹⁾ / E44 ²⁾ / E45 ³⁾	≈ 5.90kg
1 glide bar, 2m section	93.01	≈ 1.68kg
1 glide bar, 2m section + 11 screw sets	93.20	≈ 2.22kg
1 package with 11 screw sets (for glide bar, 2m section)	93.21	≈ 0.54kg
Components as individual parts, installation set	Part No.	Weight
1 clamping bracket, individual	93.51	≈ 0.20kg
1 countersunk-head screw, individual	92.53 / M6 x 14	
1 hexagon nut, individual	92.54 / M6	
1 hexagon-head screw, individual	92.55 / M10 x 16	
1 glide nut, individual	92.56 / M10	
1 C-profile, individual (C-profile length according to dimension B_{Ri})	92.52.XXX*.E ¹⁾	≈ 0.90kg/m
Additional options for simple fastening of the e-chain® without drilling	Part No.	Weight
1 set fixed end module. More information ▶ Page 1332	93.80.01	≈ 11.80kg

*Please add the C-profile length XXX as shown on the tables on the right page. Example: 92.52.350.E

- 1) Trough side parts + C-profile - also available in 304 stainless steel, material 1.4301 (AISI 304). Please add index E to the Part No.
- 2) Trough side parts - also available in 316 stainless steel, material 1.4404 (AISI 316L). Please add index E44 to the Part No.
- 3) Trough side parts - also available in 316 stainless steel, material 1.4571 (AISI 316Ti). Please add index E45 to the Part No.

E2.48			3500			E4.48L/R4.48L			E4Q.44/H4Q.44			E4.42/H4.42/R4.42		
Width index	B_{Ri} [mm]	Part No. Installation set	Width index	B_{Ri} [mm]	Part No. Installation set	Width index	B_{Ri} [mm]	Part No. Installation set	Width index	B_{Ri} [mm]	Part No. Installation set	Width index	B_{Ri} [mm]	Part No. Installation set
.050	77	93.50.200	.050	75	93.50.200	.050	75	93.50.200	.075	106	93.50.225	.05	81	93.50.200
.075	102	93.50.225	.075	100	93.50.225	.062	87	93.50.200	.087	119	93.50.250	.06	99	93.50.225
.100	127	93.50.250	.100	125	93.50.250	.075	100	93.50.225	.100	131	93.50.250	.07	106	93.50.225
.115	142	93.50.250	.115	140	93.50.250	.087	112	93.50.225	.108	139	93.50.250	.087	119	93.50.250
.125	152	93.50.275	.125	150	93.50.275	.100	125	93.50.250	.112	144	93.50.275	.10	131	93.50.250
.150	177	93.50.300	.150	175	93.50.300	.105	130	93.50.250	.125	156	93.50.275	.11	139	93.50.250
.175	202	93.50.325	.175	200	93.50.325	.112	137	93.50.250	.137	169	93.50.300	.112	144	93.50.275
.200	227	93.50.350	.200	225	93.50.350	.125	150	93.50.275	.150	181	93.50.300	.12	156	93.50.275
.225	252	93.50.375	.225	250	93.50.375	.137	162	93.50.275	.162	194	93.50.325	.137	169	93.50.300
.250	277	93.50.400	.250	275	93.50.400	.150	175	93.50.300	.168	199	93.50.325	.15	181	93.50.300
						.162	187	93.50.300	.175	206	93.50.325	.162	194	93.50.325
						.175	200	93.50.325	.187	219	93.50.350	.17	199	93.50.325
						.187	212	93.50.325	.200	231	93.50.350	.18	206	93.50.325
						.200	225	93.50.350	.212	244	93.50.375	.187	219	93.50.350
						.212	237	93.50.350	.225	256	93.50.375	.20	231	93.50.350
R68			E6.52/R6.52			.225	250	93.50.375	.237	269	93.50.400	.212	244	93.50.375
Width index	B_{Ri} [mm]	Part No. Installation set	Width index	B_{Ri} [mm]	Part No. Installation set	.237	262	93.50.375	.250	281	93.50.400	.23	256	93.50.375
.050	73	93.50.200	.040	69	upon request	.250	275	93.50.400	.262	294	93.50.425	.237	269	93.50.400
.075	98	93.50.225	.050	79	93.50.200	.262	287	93.50.400	.275	306	93.50.425	.25	281	93.50.400
.100	123	93.50.250	.062	91	93.50.200	.275	300	93.50.425	.287	319	93.50.450	.262	294	93.50.425
.115	138	93.50.250	.070	99	93.50.225	.287	312	93.50.425	.300	331	93.50.450	.28	306	93.50.425
.125	148	93.50.275	.075	104	93.50.225	.300	325	93.50.450	.312	344	93.50.475	.29	319	93.50.450
.150	173	93.50.300	.087	116	93.50.225	.312	337	93.50.450	.325	356	93.50.475	.30	331	93.50.450
.175	198	93.50.325	.100	129	93.50.250	.325	350	93.50.475	.337	369	93.50.500	.312	344	93.50.475
.200	223	93.50.350	.125	154	93.50.275	.337	362	93.50.475	.350	381	93.50.500	.325	356	93.50.475
.225	248	93.50.375	.150	179	93.50.300	.350	375	93.50.500	.362	394	93.50.525	.337	369	93.50.500
.250	273	93.50.400	.175	204	93.50.325	.362	387	93.50.500	.375	407	93.50.525	.350	381	93.50.500
			.200	229	93.50.350	.375	400	93.50.525	.387	419	93.50.550	.362	394	93.50.525
			.225	254	93.50.375	.387	412	93.50.525	.400	431	93.50.550	.375	407	93.50.525
			.250	279	93.50.400	.400	425	93.50.550				.387	419	93.50.550
			.275	304	93.50.425							.400	431	93.50.550
			.300	329	93.50.450									



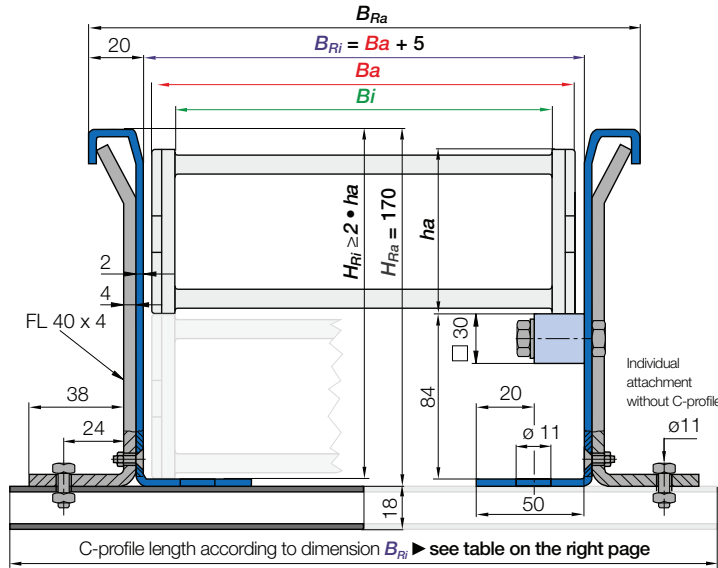
Travel up to 195m with the igus® system E4, safely guided in an igus® steel trough

For the following igus® series

- E4.1L**
- E4.64L
- E4Q**
- E4Q.58/H4Q.58
- E4.1**
- E4.56/H4.56/R4.56
- E4/light**
- 14040/14140/R18840
- 14240/14340
- E6**
- E6.62
- E4/4HD**
- 4040HD/8840HD

Option: with reinforced mounting angles for extremely heavy-duty applications. For particularly demanding applications.

Note: The inner width of the guide trough and the C-profile length of the installation set can differ according to the bracket you choose. Please call us.



Full set	Part No.	Weight
Full trough side part set		
1 set of 2 trough side parts, without glide bars, 2m section, galvanised steel	94.30 ^{E1) / E44²⁾ / E45³⁾}	≈ 14.70kg
1 set of 2 trough side parts, with glide bars, 2m section, galvanised steel	94.31 ^{E1) / E44²⁾ / E45³⁾}	≈ 19.00kg
Full installation set	Part No.	Weight
1 installation set without C-profile	94.50	≈ 0.58kg
1 installation set with C-profile (C-profile length according to dimension B_{Ri})	94.50.XXX*	upon request

*Please add the C-profile length **XXX** as shown on the tables on the right page. Example: **94.50.350**

Individual parts and options

Components as individual parts, trough	Part No.	Weight
1 trough side part, 2m section	94.11 ^{E1) / E44²⁾ / E45³⁾}	≈ 7.35kg
1 glide bar, 2m section	93.01	≈ 1.68kg
1 glide bar, 2m section + 11 screw sets	93.20	≈ 2.22kg
1 package with 11 screw sets (for glide bar, 2m section)	93.21	≈ 0.54kg
Components as individual parts, installation set	Part No.	Weight
1 clamping bracket, individual	94.51	≈ 0.25kg
1 countersunk-head screw, individual	92.53 / M6 x 14	
1 hexagon nut, individual	92.54 / M6	
1 hexagon-head screw, individual	92.55 / M10 x 16	
1 glide nut, individual	92.56 / M10	
1 C-profile, individual (C-profile length according to dimension B_{Ri})	92.52.XXX*.E¹⁾	≈ 0.90kg/m
Additional options for simple fastening of the e-chain® without drilling	Part No.	Weight
1 set fixed end module. More information ▶ Page 1332	94.80.01	≈ 14.70kg

*Please add the C-profile length **XXX** as shown on the tables on the right page. Example: **92.52.350.E**


- 1) Trough side parts + C-profile - also available in 304 stainless steel, material 1.4301 (AISI 304). Please add index E to the Part No.
- 2) Trough side parts - also available in 316 stainless steel, material 1.4404 (AISI 316L). Please add index E44 to the Part No.
- 3) Trough side parts - also available in 316 stainless steel, material 1.4571 (AISI 316Ti). Please add index E45 to the Part No.



E4Q.58/H4Q.58			E4.56/H4.56/R4.56			14040/14140/R18840			14240/14340			E6.62			4040HD/8840HD		
Width index	B_{Ri} [mm]	Part No. Installation set	Width index	B_{Ri} [mm]	Part No. Installation set	Width index	B_{Ri} [mm]	Part No. Installation set	Width index	B_{Ri} [mm]	Part No. Installation set	Width index	B_{Ri} [mm]	Part No. Installation set	Width index	B_{Ri} [mm]	Part No. Installation set
.100	139	94.50.250	.05	89	upon request	.05	81	upon request	.05	81	upon request	.05	91	upon request	.05	109	94.50.225
.112	152	94.50.275	.06	104	94.50.225	.06	96	upon request	.06	99	upon request	.06	109	94.50.225	.06	124	94.50.250
.125	164	94.50.275	.07	114	94.50.225	.07	106	94.50.225	.07	116	94.50.225	.07	116	94.50.225	.07	134	94.50.250
.137	177	94.50.300	.08	121	94.50.225	.10	131	94.50.250	.087	119	94.50.250	.087	128	94.50.250	.10	159	94.50.275
.150	189	94.50.300	.10	139	94.50.250	.11	144	94.50.275	.10	131	94.50.250	.10	141	94.50.250	.11	171	94.50.300
.162	202	94.50.325	.11	152	94.50.275	.12	156	94.50.275	.11	139	94.50.250	.11	149	94.50.275	.12	184	94.50.300
.175	214	94.50.325	.12	164	94.50.275	.13	169	94.50.300	.112	144	94.50.275	.112	153	94.50.275	.13	196	94.50.325
.187	227	94.50.350	.13	177	94.50.300	.15	181	94.50.300	.12	156	94.50.275	.12	166	94.50.275	.15	209	94.50.325
.200	239	94.50.350	.15	189	94.50.300	.16	194	94.50.325	.137	169	94.50.300	.137	178	94.50.300	.16	221	94.50.350
.212	252	94.50.375	.16	202	94.50.325	.17	206	94.50.325	.15	181	94.50.300	.15	191	94.50.300	.17	234	94.50.350
.225	264	94.50.375	.17	214	94.50.325	.18	219	94.50.350	.162	194	94.50.325	.162	203	94.50.325	.18	246	94.50.375
.237	277	94.50.400	.18	227	94.50.350	.20	231	94.50.350	.17	199	94.50.325	.17	209	94.50.325	.20	259	94.50.375
.250	289	94.50.400	.20	239	94.50.350	.21	244	94.50.375	.18	206	94.50.325	.18	216	94.50.325	.21	271	94.50.400
.262	302	94.50.425	.21	252	94.50.375	.22	256	94.50.375	.187	219	94.50.350	.187	228	94.50.350	.22	284	94.50.400
.275	314	94.50.425	.22	264	94.50.375	.23	269	94.50.400	.20	231	94.50.350	.20	241	94.50.350	.23	296	94.50.425
.287	327	94.50.450	.23	277	94.50.400	.25	281	94.50.400	.212	244	94.50.375	.212	253	94.50.375	.25	309	94.50.425
.300	339	94.50.450	.25	289	94.50.400	.26	294	94.50.425	.23	256	94.50.375	.23	266	94.50.375	.26	321	94.50.450
.312	352	94.50.475	.26	302	94.50.425	.27	306	94.50.425	.237	269	94.50.400	.237	278	94.50.400	.27	334	94.50.450
.325	364	94.50.475	.27	314	94.50.425	.28	319	94.50.450	.25	281	94.50.400	.25	291	94.50.400	.28	346	94.50.475
.337	377	94.50.500	.28	327	94.50.450	.30	331	94.50.450	.262	294	94.50.425	.262	303	94.50.425	.30	359	94.50.475
.350	389	94.50.500	.30	339	94.50.450	.31	344	94.50.475	.28	306	94.50.425	.28	316	94.50.425	.31	371	94.50.500
.362	402	94.50.525	.31	352	94.50.475	.32	356	94.50.475	.29	319	94.50.450	.29	328	94.50.450	.32	384	94.50.500
.375	414	94.50.525	.32	364	94.50.475	.33	369	94.50.500	.30	331	94.50.450	.30	341	94.50.450	.33	396	94.50.525
.387	427	94.50.550	.33	377	94.50.500	.35	381	94.50.500	.312	344	94.50.475	.312	353	94.50.475	.35	409	94.50.525
.400	439	94.50.550	.35	389	94.50.500	.36	394	94.50.525	.325	356	94.50.475	.325	366	94.50.475	.36	421	94.50.550
.412	452	94.50.575	.36	402	94.50.525	.37	406	94.50.525	.337	369	94.50.500	.337	378	94.50.500	.37	434	94.50.550
.425	464	94.50.575	.37	414	94.50.525	.38	419	94.50.550	.350	381	94.50.500	.350	391	94.50.500	.38	446	94.50.575
.437	477	94.50.600	.38	427	94.50.550	.40	431	94.50.550	.362	394	94.50.525	.362	403	94.50.525	.40	459	94.50.575
.450	489	94.50.600	.40	439	94.50.550	.41	444	94.50.575	.375	406	94.50.525	.375	416	94.50.525	.41	471	94.50.600
.462	502	94.50.625	.41	452	94.50.575	.42	456	94.50.575	.384	419	94.50.550	.387	428	94.50.550	.42	484	94.50.600
.475	514	94.50.625	.42	464	94.50.575	.43	469	94.50.600	.400	431	94.50.550	.400	441	94.50.550	.43	496	94.50.625
.487	527	94.50.650	.43	477	94.50.600	.45	481	94.50.600							.45	509	94.50.625
.500	539	94.50.650	.45	489	94.50.600	.46	494	94.50.625							.46	521	94.50.650
.512	552	94.50.675	.46	502	94.50.625	.47	506	94.50.625							.47	534	94.50.650
.525	564	94.50.675	.47	514	94.50.625	.48	519	94.50.650							.48	546	94.50.675
.537	577	94.50.700	.48	527	94.50.650	.50	531	94.50.650									
.550	589	94.50.700	.50	539	94.50.650	.51	544	94.50.675									
.562	601	94.50.725	.51	552	94.50.675	.52	556	94.50.675									
.575	614	94.50.725	.52	564	94.50.675	.53	569	94.50.700									
.587	626	94.50.750	.53	577	94.50.700	.55	581	94.50.700									
.600	639	94.50.750	.55	589	94.50.700	.60	631	94.50.750									
			.60	639	94.50.750												



Extremely dirty and tough environment in coal handling. igus® roller e-chains® guided in tough steel troughs

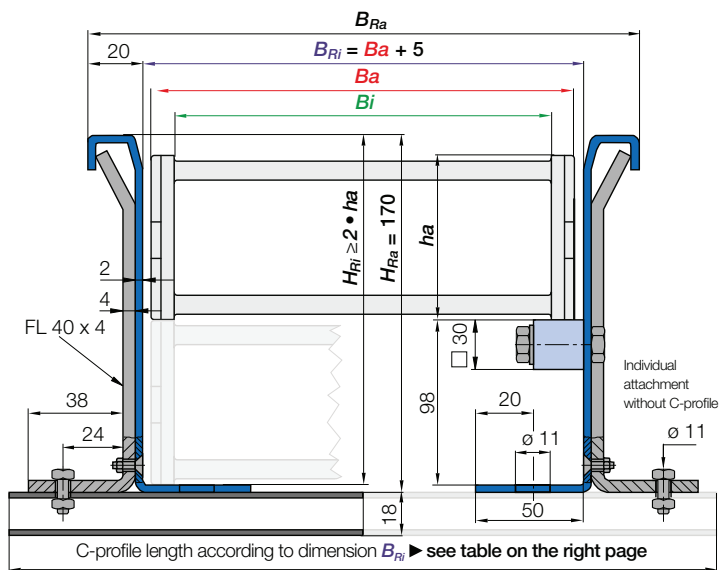
 For the following igus® series

E4/light

- 14550/14650/R19050

 **Option:** with reinforced mounting angles for extremely heavy-duty applications. For particularly demanding applications.

Note: The inner width of the guide through and the C-profile length of the installation set can differ according to the bracket you choose. Please call us.



Full set

Full trough side part set	Part No.	Weight
1 set of 2 trough side parts, without glide bars, 2m section, galvanised steel	94.14550.30.E ¹⁾ / E44 ²⁾ / E45 ³⁾	≈ 14.70kg
1 set of 2 trough side parts, with glide bars, 2m section, galvanised steel	94.14550.31.E ¹⁾ / E44 ²⁾ / E45 ³⁾	≈ 19.00kg
Full installation set	Part No.	Weight
1 installation set without C-profile	94.50	≈ 0.58kg
1 installation set with C-profile (C-profile length according to dimension B_{Ri})	94.50.XXX*	upon request

*Please add the C-profile length XXX as shown on the tables on the right page. Example: 94.50.350

Individual parts and options

Components as individual parts, trough	Part No.	Weight
1 trough side part, 2m section	94.14550.11.E ¹⁾ / E44 ²⁾ / E45 ³⁾	≈ 7.35kg
1 glide bar, 2m section	93.01	≈ 1.68kg
1 glide bar, 2m section + 11 screw sets	93.20	≈ 2.22kg
1 package with 11 screw sets (for glide bar, 2m section)	93.21	≈ 0.54kg
Components as individual parts, installation set	Part No.	Weight
1 clamping bracket, individual	94.51	≈ 0.25kg
1 countersunk-head screw, individual	92.53 / M6 x 14	
1 hexagon nut, individual	92.54 / M6	
1 hexagon-head screw, individual	92.55 / M10 x 16	
1 glide nut, individual	92.56 / M10	
1 C-profile, individual (C-profile length according to dimension B_{Ri})	92.52.XXX*.E ¹⁾	≈ 0.90kg/m
Additional options for simple fastening of the e-chain® without drilling	Part No.	Weight
1 set fixed end module. More information ▶ Page 1332	94.14550.80.01**	≈ 14.70kg

*Please add the C-profile length XXX as shown on the tables on the right page. Example: 95.52.350.E

1) Trough side parts + C-profile - also available in 304 stainless steel, material 1.4301 (AISI 304). Please add index E to the Part No.

2) Trough side parts - also available in 316 stainless steel, material 1.4404 (AISI 316L). Please add index E44 to the Part No.

3) Trough side parts - also available in 316 stainless steel, material 1.4571 (AISI 316Ti). Please add index E45 to the Part No.

**Fixed end module available upon request. Please consult igus® for delivery time.

14550/14650/R19050

Width index	B_{Ri} [mm]	Part No. Installation set
.05	82	upon request
.06	97	upon request
.07	107	94.50.225
.08	119	94.50.250
.10	132	94.50.250
.11	144	94.50.275
.12	157	94.50.275
.13	169	94.50.300
.15	182	94.50.300
.16	194	94.50.325
.17	207	94.50.325
.18	219	94.50.350
.20	232	94.50.350
.21	244	94.50.375
.22	257	94.50.375
.23	269	94.50.400
.25	282	94.50.400
.26	294	94.50.425
.27	307	94.50.425
.28	319	94.50.450
.30	332	94.50.450
.31	344	94.50.475
.32	357	94.50.475
.33	369	94.50.500
.35	382	94.50.500
.36	394	94.50.525
.37	407	94.50.525
.38	419	94.50.550
.40	432	94.50.550
.41	444	94.50.575
.42	457	94.50.575
.43	469	94.50.600
.45	482	94.50.600
.46	494	94.50.625
.47	507	94.50.625
.48	519	94.50.650
.50	532	94.50.650
.51	544	94.50.675
.52	557	94.50.675
.53	569	94.50.700
.55	582	94.50.700
.60	632	94.50.750



System E4 with extension links and heavy fill weights -long travel application on-board West Navigator

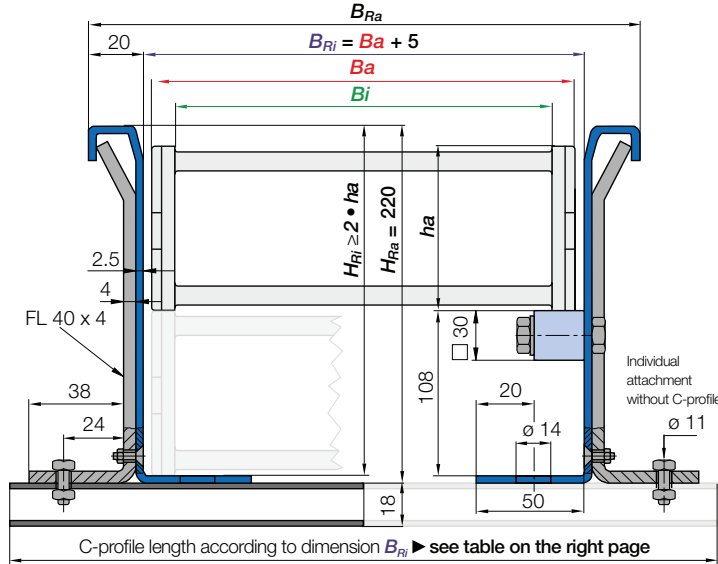


For the following igus® series

- E4Q**
- E4Q.82/H4Q.82
- E4.1**
- E4.80/H4.80/R4.80
- E4/light**
- 15050/15150/R19850
- 15250/15350
- E6**
- E6.80
- E4/4HD**
- 5050HD/9850HD

Option: with reinforced mounting angles for extremely heavy-duty applications. For particularly demanding applications.

Note: The inner width of the guide trough and the C-profile length of the installation set can differ according to the bracket you choose. Please call us.



Full set

Full trough side part set	Part No.	Weight
1 set of 2 trough side parts, without glide bars, 2m section, galvanised steel	96.30.E ¹⁾ / E44 ²⁾ / E45 ³⁾	≈ 22.80kg
1 set of 2 trough side parts, with glide bars, 2m section, galvanised steel	96.31.E ¹⁾ / E44 ²⁾ / E45 ³⁾	≈ 27.20kg
Full installation set	Part No.	Weight
1 installation set without C-profile	96.50	≈ 0.72kg
1 installation set with C-profile (C-profile length according to dimension B_{Ri})	96.50.XXX*	upon request

*Please add the C-profile length XXX as shown on the tables on the right page. Example: 96.50.375

Individual parts and options

Components as individual parts, trough	Part No.	Weight
1 trough side part, 2m section	96.11.E ¹⁾ / E44 ²⁾ / E45 ³⁾	≈ 11.40kg
1 glide bar, 2m section	93.01	≈ 1.68kg
1 glide bar, 2m section + 11 screw sets	93.20	≈ 2.22kg
1 package with 11 screw sets (for glide bar, 2m section)	93.21	≈ 0.54kg
Components as individual parts, installation set	Part No.	Weight
1 clamping bracket, individual	96.51	≈ 0.31kg
1 countersunk-head screw, individual	92.53 / M6 x 14	
1 hexagon nut, individual	92.54 / M6	
1 hexagon-head screw, individual	92.55 / M10 x 16	
1 glide nut, individual	92.56 / M10	
1 C-profile, individual (C-profile length according to dimension B_{Ri})	92.52.XXX*.E ¹⁾	≈ 0.90kg/m
Additional options for simple fastening of the e-chain® without drilling	Part No.	Weight
1 set fixed end module. More information ▶ Page 1332	96.80.01	≈ 22.80kg

*Please add the C-profile length XXX as shown on the tables on the right page. Example: 92.82.375.E


- 1) Trough side parts + C-profile - also available in 304 stainless steel, material 1.4301 (AISI 304). Please add index E to the Part No.
- 2) Trough side parts - also available in 316 stainless steel, material 1.4404 (AISI 316L). Please add index E44 to the Part No.
- 3) Trough side parts - also available in 316 stainless steel, material 1.4571 (AISI 316Ti). Please add index E45 to the Part No.



E4Q.82/H4Q.82			E4.80/H4.80/R4.80			15050/15150/R19850			15250/15350			E6.62			5050HD/9850HD		
Width index	B_{Ri} [mm]	Part No. Installation set	Width index	B_{Ri} [mm]	Part No. Installation set	Width index	B_{Ri} [mm]	Part No. Installation set	Width index	B_{Ri} [mm]	Part No. Installation set	Width index	B_{Ri} [mm]	Part No. Installation set	Width index	B_{Ri} [mm]	Part No. Installation set
.100	155	96.50.275	.05	105	96.50.225	.05	85	upon request	.05	85	upon request	.05	105	96.50.225	.05	115	96.50.225
.112	168	96.50.300	.06	120	96.50.250	.06	100	upon request	.06	103	96.50.225	.06	120	96.50.250	.06	130	96.50.250
.125	180	96.50.300	.07	130	96.50.250	.07	110	96.50.225	.07	110	96.50.225	.07	130	96.50.250	.07	140	96.50.250
.137	193	96.50.325	.10	155	96.50.275	.10	135	96.50.250	.087	122	96.50.250	.10	155	96.50.275	.10	165	96.50.275
.150	205	96.50.325	.11	168	96.50.300	.11	148	96.50.275	.09	132	96.50.250	.11	167	96.50.300	.11	177	96.50.300
.162	218	96.50.350	.12	180	96.50.300	.12	160	96.50.275	.10	135	96.50.250	.12	180	96.50.300	.12	190	96.50.300
.175	230	96.50.350	.13	193	96.50.325	.13	173	96.50.300	.11	143	96.50.275	.13	192	96.50.325	.13	202	96.50.325
.187	243	96.50.375	.15	205	96.50.325	.15	185	96.50.300	.112	148	96.50.275	.15	205	96.50.325	.15	215	96.50.325
.200	255	96.50.375	.16	218	96.50.350	.16	198	96.50.325	.12	160	96.50.275	.16	217	96.50.350	.16	227	96.50.350
.212	268	96.50.400	.17	230	96.50.350	.17	210	96.50.325	.137	172	96.50.300	.17	230	96.50.350	.17	240	96.50.350
.225	280	96.50.400	.18	243	96.50.375	.18	223	96.50.350	.15	185	96.50.300	.18	242	96.50.375	.18	252	96.50.375
.237	293	96.50.425	.20	255	96.50.375	.20	235	96.50.350	.162	198	96.50.325	.20	255	96.50.375	.20	265	96.50.375
.250	305	96.50.425	.21	268	96.50.400	.21	248	96.50.375	.17	203	96.50.325	.21	267	96.50.400	.21	277	96.50.400
.262	318	96.50.450	.22	280	96.50.400	.22	260	96.50.375	.18	210	96.50.325	.22	280	96.50.400	.22	290	96.50.400
.275	330	96.50.450	.23	293	96.50.425	.23	273	96.50.400	.187	223	96.50.350	.23	292	96.50.425	.23	302	96.50.425
.287	343	96.50.475	.25	305	96.50.425	.25	285	96.50.400	.20	235	96.50.350	.25	305	96.50.425	.25	315	96.50.425
.300	355	96.50.475	.26	318	96.50.450	.26	298	96.50.425	.212	248	96.50.375	.26	317	96.50.450	.26	327	96.50.450
.312	368	96.50.500	.27	330	96.50.450	.27	310	96.50.425	.23	260	96.50.375	.27	330	96.50.450	.27	340	96.50.450
.325	380	96.50.500	.28	343	96.50.475	.28	323	96.50.450	.237	273	96.50.400	.28	342	96.50.475	.28	352	96.50.475
.337	393	96.50.525	.30	355	96.50.475	.30	335	96.50.450	.25	285	96.50.400	.30	355	96.50.475	.30	365	96.50.475
.350	405	96.50.525	.31	368	96.50.500	.31	348	96.50.475	.262	298	96.50.425	.31	367	96.50.500	.31	377	96.50.500
.362	418	96.50.550	.32	380	96.50.500	.32	360	96.50.475	.28	310	96.50.425	.32	380	96.50.500	.32	390	96.50.500
.375	430	96.50.550	.33	393	96.50.525	.33	373	96.50.500	.29	323	96.50.450	.33	392	96.50.525	.33	402	96.50.525
.387	443	96.50.575	.35	405	96.50.525	.35	385	96.50.500	.30	335	96.50.450	.35	405	96.50.525	.35	415	96.50.525
.400	455	96.50.575	.36	418	96.50.550	.36	398	96.50.525	.312	348	96.50.475	.36	417	96.50.550	.36	427	96.50.550
.412	468	96.50.600	.37	430	96.50.550	.37	410	96.50.525	.325	360	96.50.475	.37	430	96.50.550	.37	440	96.50.550
.425	480	96.50.600	.38	443	96.50.575	.38	423	96.50.550	.337	373	96.50.500	.38	442	96.50.575	.38	452	96.50.575
.437	493	96.50.625	.40	455	96.50.575	.40	435	96.50.550	.350	385	96.50.500	.40	455	96.50.575	.40	465	96.50.575
.450	505	96.50.625	.41	468	96.50.600	.41	448	96.50.575	.362	398	96.50.525	.41	470	96.50.600	.41	477	96.50.600
.462	518	96.50.650	.42	480	96.50.600	.42	460	96.50.575	.375	410	96.50.525	.42	480	96.50.600	.42	490	96.50.600
.475	530	96.50.650	.43	493	96.50.625	.43	473	96.50.600	.387	423	96.50.550	.43	492	96.50.625	.43	502	96.50.625
.487	543	96.50.675	.45	505	96.50.625	.45	485	96.50.600	.400	435	96.50.550	.45	505	96.50.625	.45	515	96.50.625
.500	555	96.50.675	.46	518	96.50.650	.46	498	96.50.625				.46	517	96.50.650	.46	527	96.50.650
.512	568	96.50.700	.47	530	96.50.650	.47	510	96.50.625				.47	530	96.50.650	.47	540	96.50.650
.525	580	96.50.700	.48	543	96.50.675	.48	523	96.50.650				.48	542	96.50.675	.48	552	96.50.675
.537	593	96.50.725	.50	555	96.50.675	.50	535	96.50.650				.50	555	96.50.675	.50	565	96.50.675
.550	605	96.50.725	.51	568	96.50.700	.51	548	96.50.675				.51	567	96.50.700	.51	577	96.50.700
.562	617	96.50.725	.52	580	96.50.700	.52	560	96.50.675				.52	580	96.50.700	.52	590	96.50.700
.575	630	96.50.750	.53	593	96.50.725	.53	573	96.50.700				.53	592	96.50.725	.53	602	96.50.725
.587	642	96.50.750	.55	605	96.50.725	.55	585	96.50.700				.55	605	96.50.725	.55	615	96.50.725
.600	655	96.50.775	.60	655	96.50.775	.60	635	96.50.750				.60	655	96.50.775	.60	665	96.50.775



igus® E4 roller chain® and steel guide trough

 For the following igus® series

E4.1

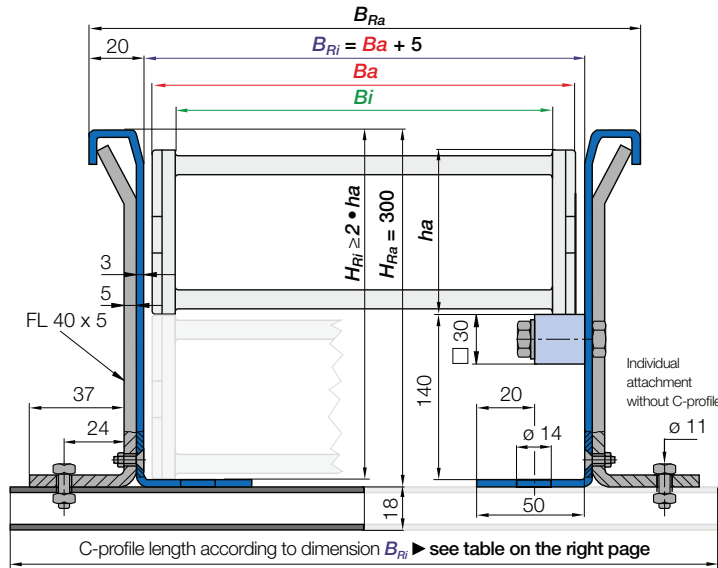
● E4.112/R4.112

E4/light

● 1640/R1608

 **Option:** with reinforced mounting angles for extremely heavy-duty applications. For particularly demanding applications.

Note: The inner width of the guide trough and the C-profile length of the installation set can differ according to the bracket you choose. Please call us.



C-profile length according to dimension B_{Ri} ▶ see table on the right page

Full set

Full trough side part set	Part No.	Weight
1 set of 2 trough side parts, without glide bars, 2m section, galvanised steel	98.30.E ¹⁾ / E44 ²⁾ / E45 ³⁾	≈ 34.60kg
1 set of 2 trough side parts, with glide bars, 2m section, galvanised steel	98.31.E ¹⁾ / E44 ²⁾ / E45 ³⁾	≈ 39.00kg
Full installation set	Part No.	Weight
1 installation set without C-profile	98.50	≈ 1.16kg
1 installation set with C-profile (C-profile length according to dimension B_{Ri})	98.50.XXX*	upon request

*Please add the C-profile length **XXX** as shown on the tables on the right page. Example: 98.50.350

Individual parts and options

Components as individual parts, trough	Part No.	Weight
1 trough side part, 2m section	98.11.E ¹⁾ / E44 ²⁾ / E45 ³⁾	≈ 17.30kg
1 glide bar, 2m section	93.01	≈ 1.68kg
1 glide bar, 2m section + 11 screw sets	93.20	≈ 2.22kg
1 package with 11 screw sets (for glide bar, 2m section)	93.21	≈ 0.54kg
Components as individual parts, installation set	Part No.	Weight
1 clamping bracket, individual	98.51	≈ 0.52kg
1 countersunk-head screw, individual	92.05 / M8 x 20	
1 hexagon nut, individual	92.04 / M8	
1 hexagon-head screw, individual	92.55 / M10 x 16	
1 glide nut, individual	92.56 / M10	
1 C-profile, individual (C-profile length according to dimension B_{Ri})	92.52.XXX*.E ¹⁾	≈ 0.90kg/m
Additional options for simple fastening of the e-chain® without drilling	Part No.	Weight
1 set fixed end module. More information ▶ Page 1332	98.80.01	≈ 34.60kg

*Please add the C-profile length **XXX** as shown on the tables on the right page. Example: 92.52.350.E

- 1) Trough side parts + C-profile - also available in 304 stainless steel, material 1.4301 (AISI 304). Please add index E to the Part No.
- 2) Trough side parts - also available in 316 stainless steel, material 1.4404 (AISI 316L). Please add index E44 to the Part No.
- 3) Trough side parts - also available in 316 stainless steel, material 1.4571 (AISI 316Ti). Please add index E45 to the Part No.

E4.112/R4.112			1640/R1608		
Width index	B_{Ri} [mm]	Part No. Installation set	Width index	B_{Ri} [mm]	Part No. Installation set
.05	107	98.50.225	.05	89	upon request
.06	122	98.50.250	.06	104	98.50.225
.07	132	98.50.250	.07	114	98.50.250
.10	157	98.50.275	.08	124	98.50.250
.11	169	98.50.300	.10	139	98.50.275
.12	182	98.50.300	.11	151	98.50.275
.13	194	98.50.325	.12	164	98.50.300
.15	207	98.50.325	.13	176	98.50.300
.16	219	98.50.350	.15	189	98.50.325
.17	232	98.50.350	.16	201	98.50.325
.18	244	98.50.375	.17	214	98.50.350
.20	257	98.50.375	.18	226	98.50.350
.21	269	98.50.400	.20	239	98.50.375
.22	282	98.50.400	.21	251	98.50.375
.23	294	98.50.425	.22	264	98.50.400
.25	307	98.50.425	.23	276	98.50.400
.26	319	98.50.450	.25	289	98.50.425
.27	332	98.50.450	.26	301	98.50.425
.28	344	98.50.475	.27	314	98.50.450
.30	357	98.50.475	.28	326	98.50.450
.31	369	98.50.500	.30	339	98.50.475
.32	382	98.50.500	.31	351	98.50.475
.33	394	98.50.525	.32	364	98.50.500
.35	407	98.50.525	.33	376	98.50.500
.36	419	98.50.550	.35	389	98.50.525
.37	432	98.50.550	.36	401	98.50.525
.38	444	98.50.575	.37	414	98.50.550
.40	457	98.50.575	.38	426	98.50.550
.41	469	98.50.600	.40	439	98.50.575
.42	482	98.50.600	.41	451	98.50.575
.43	494	98.50.625	.42	464	98.50.600
.45	507	98.50.625	.43	476	98.50.600
.46	519	98.50.650	.45	489	98.50.625
.47	532	98.50.650	.46	501	98.50.625
.48	544	98.50.675	.47	514	98.50.650
.50	557	98.50.675	.48	526	98.50.650
.51	569	98.50.700	.50	539	98.50.675
.52	582	98.50.700	.51	551	98.50.675
.53	594	98.50.725	.52	564	98.50.700
.55	607	98.50.725	.53	576	98.50.700
.60	657	98.50.775	.55	589	98.50.725
			.60	639	98.50.775



E4 e-chain® with several extension links for extreme fill weights, guided in igus® steel trough over long distances and in rough seas

