

e-chains® | Series 2400 | Crossbars openable along the inner radius, from both sides
 e-chains® | Series 2500 | Crossbars openable along the outer radius, from both sides

Part No. e-chains® openable along inner radius	Part No. e-chains® openable along outer radius	Bi [mm]	Ba [mm]	R Available bend radii [mm]	2400 [kg/m]	2500 [kg/m]
2400.02.R.0	2500.02.R.0 ¹⁾	25	41	055 075 100 125 150 175 200 225 250	≈ 0.77	≈ 0.77
2400.03.R.0	2500.03.R.0 ¹⁾	38	54	055 075 100 125 150 175 200 225 250	≈ 0.83	≈ 0.83
2400.05.R.0	2500.05.R.0 ¹⁾	57	73	055 075 100 125 150 175 200 225 250	≈ 0.91	≈ 0.91
2400.07.R.0	2500.07.R.0 ¹⁾	77	93	055 075 100 125 150 175 200 225 250	≈ 1.01	≈ 1.01
2400.09.R.0	2500.09.R.0 ¹⁾	89	105	055 075 100 125 150 175 200 225 250	≈ 1.08	≈ 1.08
2400.10.R.0	2500.10.R.0 ¹⁾	103	119	055 075 100 125 150 175 200 225 250	≈ 1.15	≈ 1.15
2400.12.R.0	2500.12.R.0 ¹⁾	125	141	055 075 100 125 150 175 200 225 250	≈ 1.22	≈ 1.22

1) Available as ESD version from stock

Half e-tubes, series 2450 and full e-tube series 2480 ▶ From page 386

Complete Part No. with required radius (R). Example: 2500.03.100.0

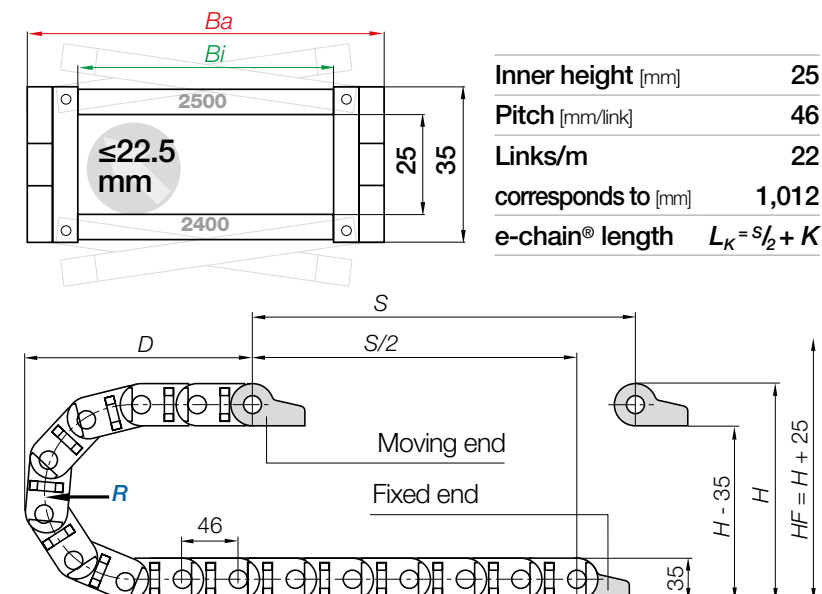
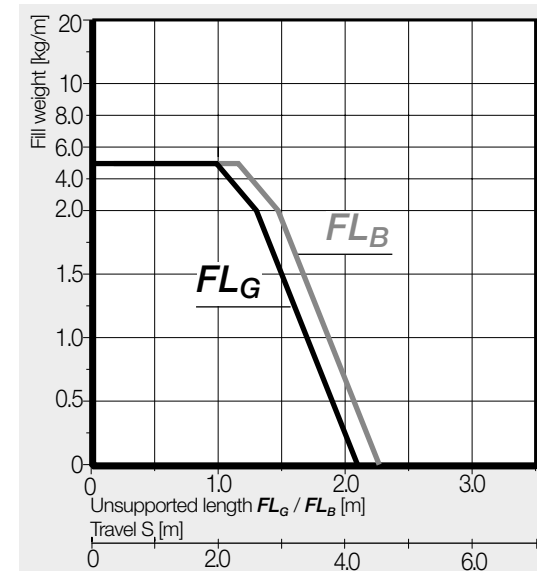
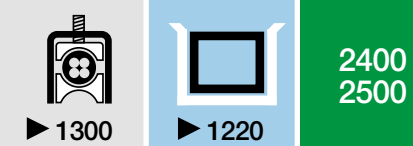
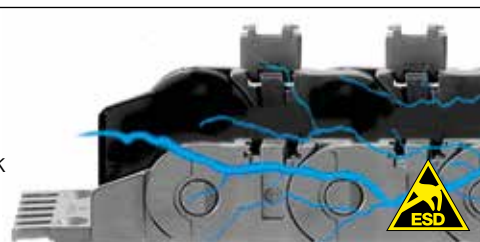


Reduce assembly time - E2/000 e-chain® opener

- Reduce opening times from 33 to 2 seconds
- Open a long e-chain® section in one go
- For widths Bi [mm]: 05, 07, 09
- Part No. 908.254.2400 for series 2400/2500
- More information ▶ www.igus.eu/E2opener

ESD - many sizes from stock

- Standardised product made from igumid ESD
- ESD material tested with over 10 million cycles for the toughest requirements
- Short delivery times including mounting brackets and interior separation; 24hrs, from stock
- More information ▶ www.igus.eu/esd



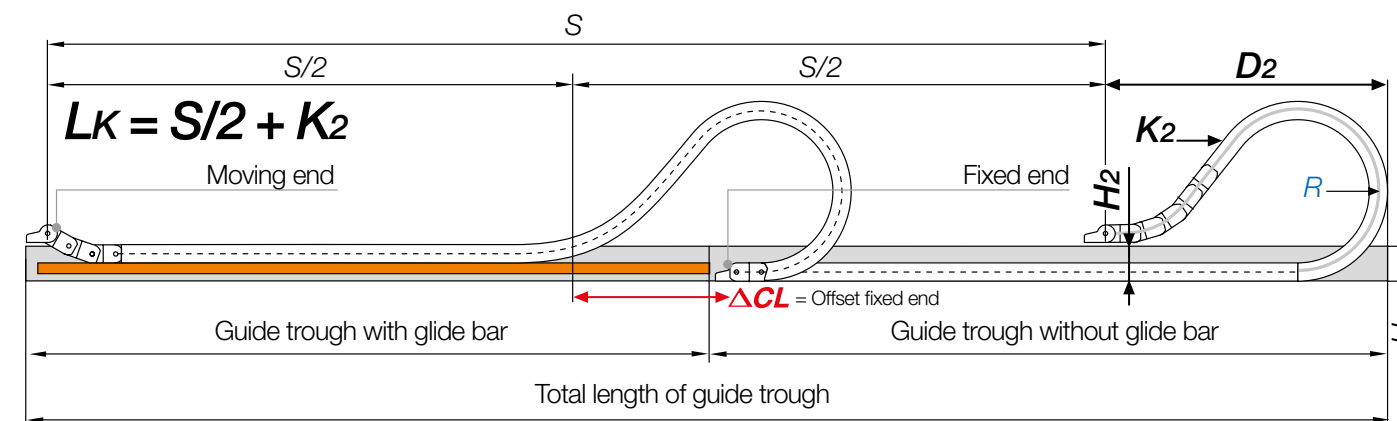
Inner height [mm]	25
Pitch [mm/link]	46
Links/m	22
corresponds to [mm]	1,012
e-chain® length $L_K = S/2 + K$	

R	055	075	100	125	150	175	200	225	250
H	145	185	235	285	335	385	435	485	535
D	142	162	187	212	237	262	287	312	337
K	265	330	410	485	565	645	725	800	880

The required clearance height: $H_F = H + 25\text{mm}$ (with 1.5kg/m fill weight)

Before using series 2400 on long travels please consult igus®.

Gliding applications | For long travels from 10m to max. 100m



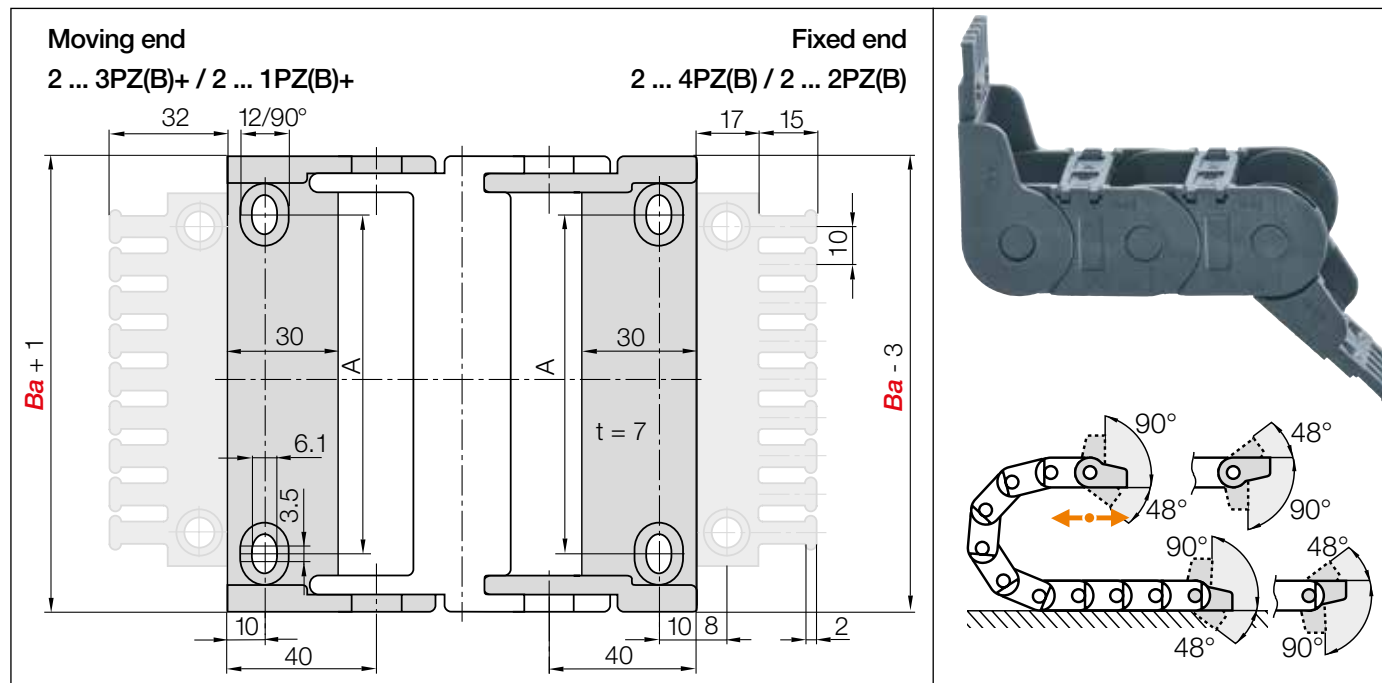
Note: before using series 2400/2450/2480 on long travels please consult igus®.

For long travels, igus® recommends series 2500 openable along the outer radius.

In case of travels between 4 and 10m we recommend an e-chain® with a longer unsupported length.

R	055	075	100	125	150	175	200	225	250
H ₂	110	150	100	100	100	100	100	100	100
D ₂ ⁺²⁵	142	162	380	440	590	755	950	1,040	1,130
K ₂	265	330	644	736	1,012	1,242	1,472	1,610	1,794
ΔCL	-	-	204	244	364	504	674	754	804

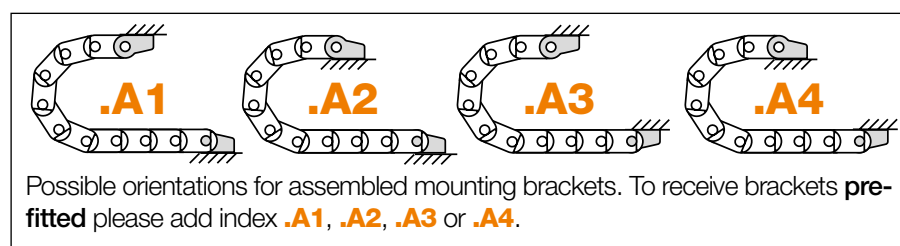
Before using series 2400 on long travels please consult igus®.



Polymer pivoting | Recommended for unsupported and gliding applications
Polymer locking | Recommended for vertical hanging and standing applications

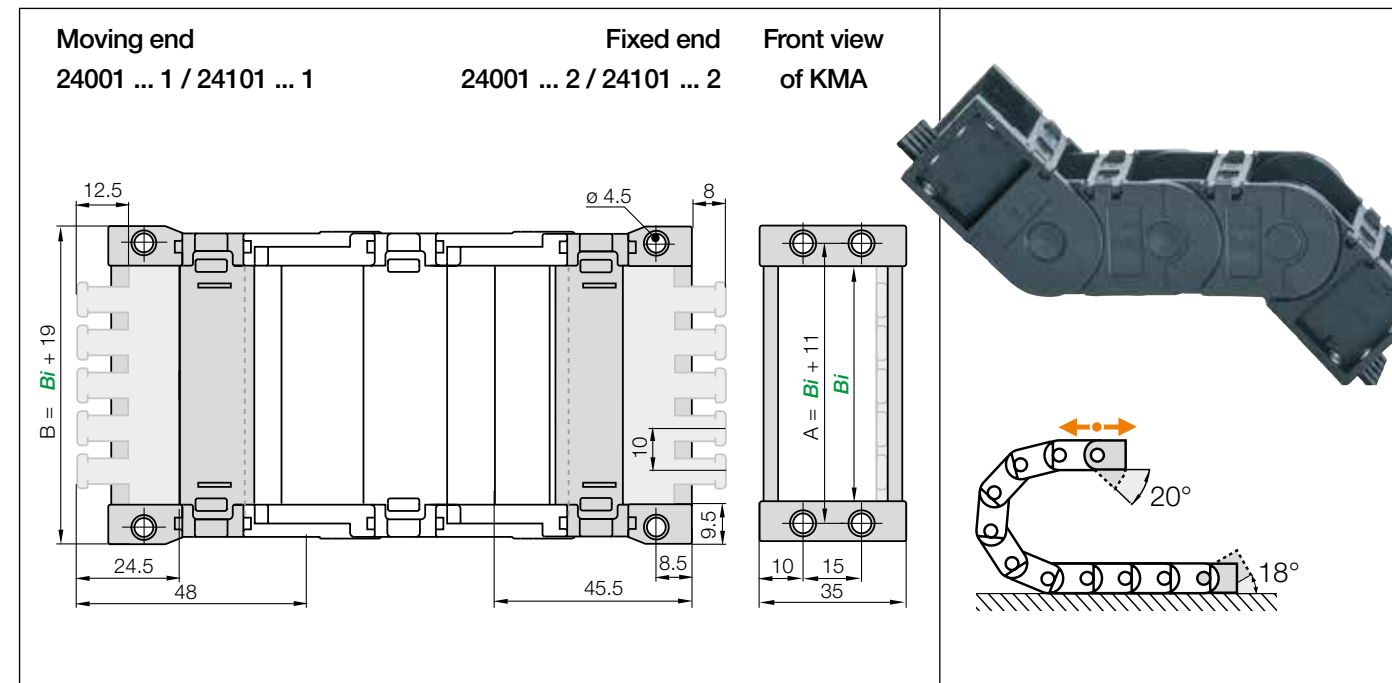
Width index	Part No. full set pivoting		Part No. full set locking		A [mm]	Number of teeth
	with tiewrap plates	without tiewrap plate	with tiewrap plates	without tiewrap plate		
02.	2020.34PZB+	2020.34PZ+	2020.12PZB+	2020.12PZ+	12	3
03.	2030.34PZB+	2030.34PZ+	2030.12PZB+	2030.12PZ+	25	4
05.	2050.34PZB+	2050.34PZ+	2050.12PZB+	2050.12PZ+	44	6
07.	2070.34PZB+	2070.34PZ+	2070.12PZB+	2070.12PZ+	64	8
09.	2090.34PZB+	2090.34PZ+	2090.12PZB+	2090.12PZ+	77	9
10.	2100.34PZB+	2100.34PZ+	2100.12PZB+	2100.12PZ+	90	10
12.	2125.34PZB+	2125.34PZ+	2125.12PZB+	2125.12PZ+	112	12

Full set with tiewrap plate + 10 cable tiewraps, please add index **K1**. Example: 2020.34PZBK1+



2020.34PZB+.A1 Order example
 .A... to indicate option with brackets pre-fitted
 With integrated strain relief tiewrap plates
 Full set
 Series

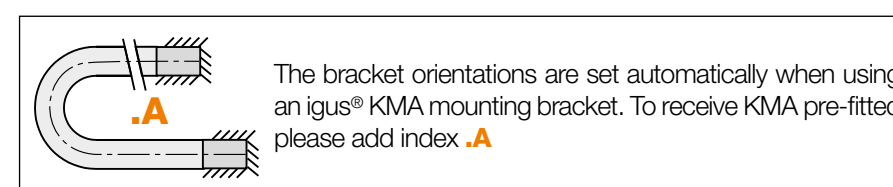
Strain relief e.g. clamps, tiewrap plates, nuggets and plug-in clips are available from stock. The complete chainfix range with ordering options ▶ From page 1300



KMA pivoting | Recommended for unsupported and gliding applications
KMA locking | Recommended for vertical hanging and standing applications

Width index	Part No. full set KMA pivoting		Part No. full set KMA locking		A [mm]	B [mm]	Number of teeth
	with tiewrap plates	without tiewrap plate	with tiewrap plates	without tiewrap plate			
02.	24001.02.12ZB	24001.02.12	24101.02.12ZB	24101.02.12	36	44	2
03.	24001.03.12ZB	24001.03.12	24101.03.12ZB	24101.03.12	49	57	4
05.	24001.05.12ZB	24001.05.12	24101.05.12ZB	24101.05.12	68	76	6
07.	24001.07.12ZB	24001.07.12	24101.07.12ZB	24101.07.12	88	86	7
09.	24001.09.12ZB	24001.09.12	24101.09.12ZB	24101.09.12	100	108	9
10.	24001.10.12ZB	24001.10.12	24101.10.12ZB	24101.10.12	114	122	10
12.	24001.12.12ZB	24001.12.12	24101.12.12ZB	24101.12.12	136	144	12

(KMA = polymer metal mounting bracket)



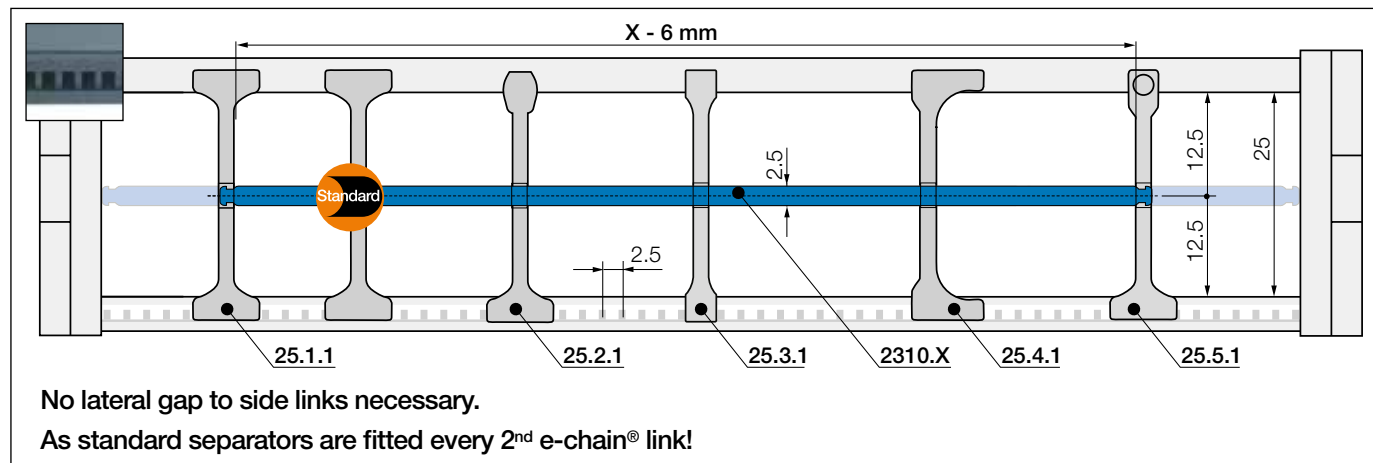
24001.02.12ZB.A Order example
 .A... to indicate option with brackets pre-fitted
 With integrated strain relief tiewrap plates
 Full set
 Width index
 Series

Option: steel mounting bracket, pivoting. For e-chains® and e-tubes, Part No. 2000.32
 ● Pivoting connections ● One part (2-piece) for all e-chain® widths ● Electrically conductive

Strain relief e.g. clamps, tiewrap plates, nuggets and plug-in clips are available from stock. The complete chainfix range with ordering options ▶ From page 1300

Interior separation | Increase cable service life

Previous generation of interior separation with other options ► www.igus.eu/2400 ► www.igus.eu/2500



Standard separator, wide base

unassembled	25.1
assembled	25.1.1

Standard - for any application
Separator with a wide base for maximum holding force in the e-chain®.

Separator, narrow top

unassembled	25.2
assembled	25.2.1

For even faster installation
Wide on one side for high holding force, narrow on opposite side for easy cable fitting.

Separator, narrow

unassembled	25.3
assembled	25.3.1

For small cables
Separator with a narrow base for a large number of small cables side by side. Saves space in the e-chain®.

Separator, asymmetrical

unassembled	25.4
assembled	25.4.1

For side-mounted applications
Asymmetrical separator, for defined gap distance. No additional spacers required.

Notch separator for notched crossbar

unassembled	25.5
assembled	25.5.1

Locks securely in preset increments
Notch separator for exact positioning in e-chains®. Recommended for side-mounted applications.
Note: For this series notches only on fixed crossbars, not on openable crossbars

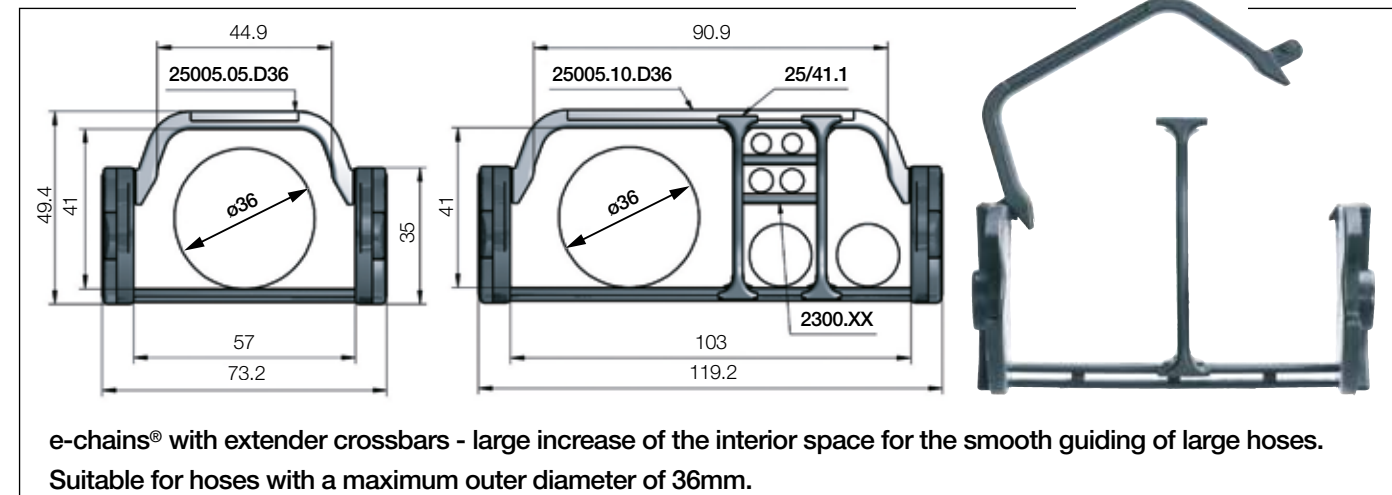
Shelf, lockable

unassembled	2300.X
assembled	2310.X

Horizontal separation
Full-width shelf locks securely into separators at both ends, giving a fixed width. Can be used as full-width or partial shelf.

Shelves Width = X [mm]	X [mm]		X [mm]		X [mm]	
	unassembled	assembled	unassembled	assembled	unassembled	assembled
	015	2300.015	2310.015	060	2300.060	2310.060
	025	2300.025	2310.025	062	2300.062	2310.062
	030	2300.030	2310.030	065	2300.065	2310.065
	038	2300.038	2310.038	070	2300.070	2310.070
	040	2300.040	2310.040	075	2300.075	2310.075
	050	2300.050	2310.050	077	2300.077	2310.077
	057	2300.057	2310.057	080	2300.080	2310.080
				087	2300.087	2310.087
				090	2300.090	2310.090
				100	2300.100	2310.100
				103	2300.103	2310.103
				110	2300.110	2310.110
				120	2300.120	2310.120
				125	2300.125	2310.125

e-chains® with extender crossbar | Product Range



Part No. e-chains® extender crossbars openable along inner radius	Part No. e-chains® extender crossbars openable along outer radius	Bi [mm]	Ba [mm]	R Available bend radii [mm]
2400.05 D36 .R.0	2500.05 D36 .R.0	57	73	055* 075 100 125 150 175 200 225 250
2400.10 D36 .R.0	2500.10 D36 .R.0	103	119	055* 075 100 125 150 175 200 225 250

* Radius 055 only possible with e-chains® series 2500, openable along outer radius!
Complete Part No. with required radius (R). Example: 2500.05D36.100.0

Interior separation for e-chains® with extender crossbars

Separator e-chain® with extender crossbars

unassembled	25/41.1
assembled	25/41.1.1

Shelf, lockable

unassembled	2300.X
assembled	2310.X

Standard separator, wide base
Separator with a wide base for maximum holding force in the e-chain®. As standard separators are fitted every 2nd e-chain® link!

Horizontal separation
Full-width shelf locks securely into separators at both ends, giving a fixed width. Can be used as full-width or partial shelf.

Separator with integrated strain relief teeth

- Can be integrated into the mounting bracket or placed at any point in the e-chain®
- Combines strain relief and interior separation, for restricted space conditions
- Strain relief separator is easy to assemble without any screws

Part No. 2020.Z. More information ► From page 1326



Aluminium support tray

- Corrosion-resistant and seawater-resistant aluminium rails with adjustable width
- Noise-reducing glide strip integrated as standard
- Easy installation and connection of the e-chain®
- Open design - dirt and debris fall through

More information ► From page 1270

