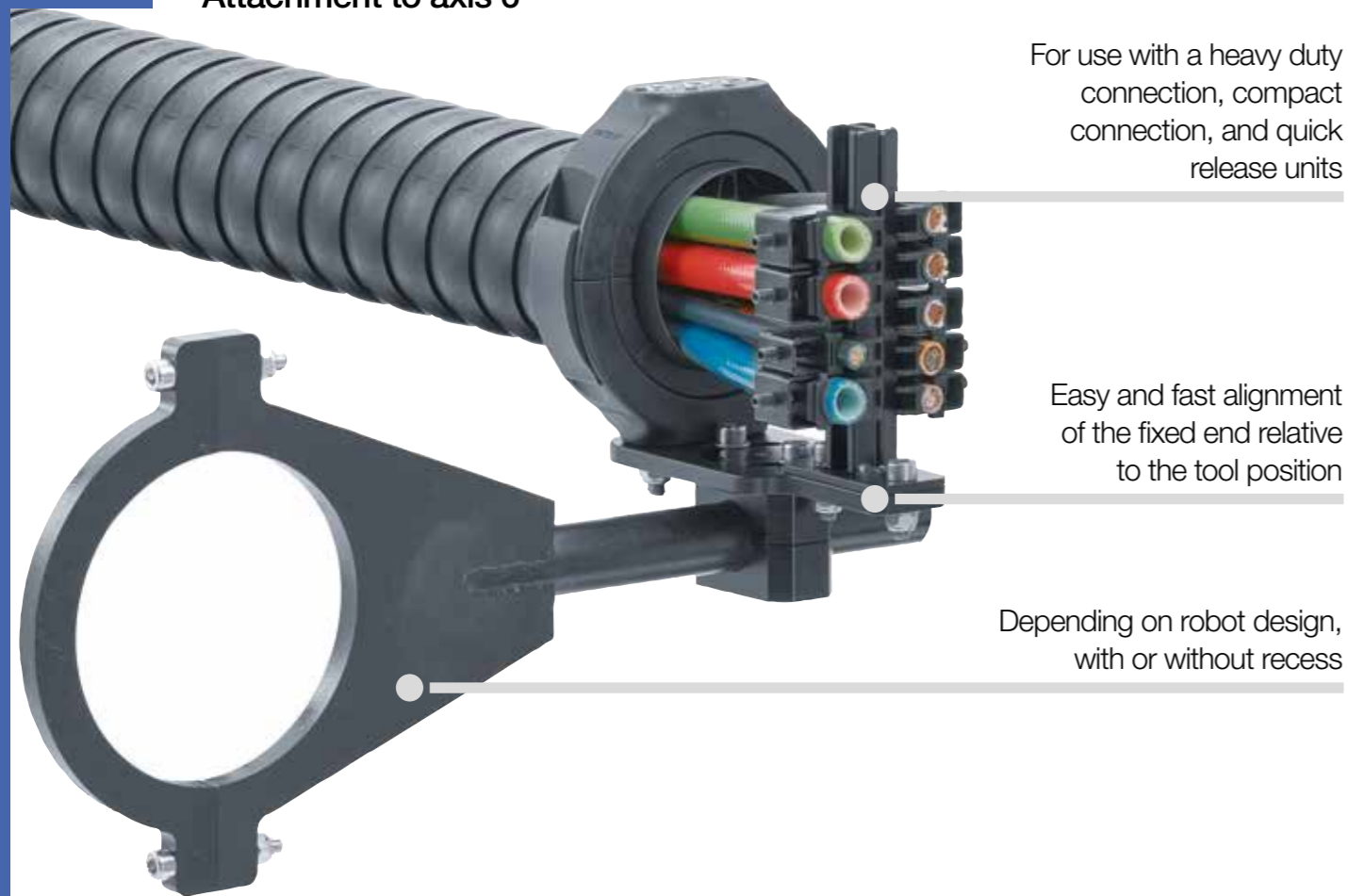


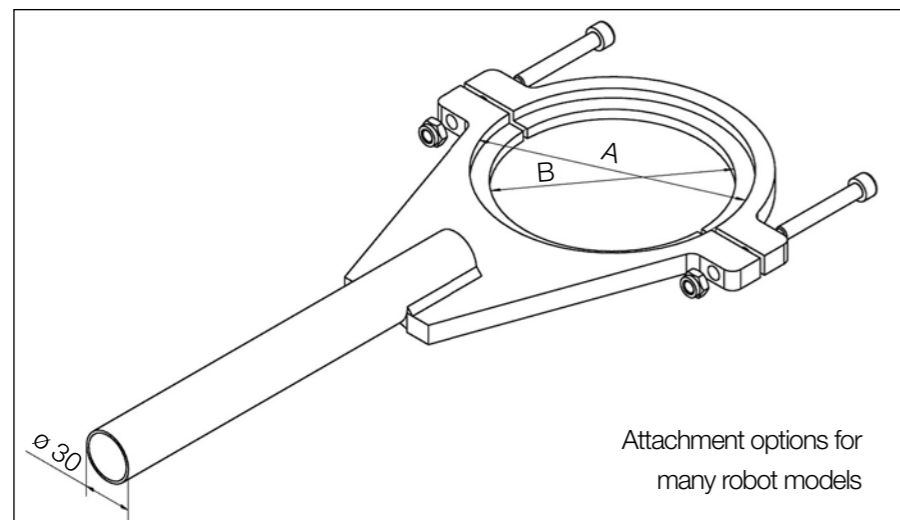
Attachment to axis 6



Clamps for attachment to axis 6

The clamp is used to attach a mounting bracket to axis 6, with a bar (Ø 30mm) for all robots. They are easy and quick to assemble.

- For use with heavy duty connection **TR.XX.20.30** / **TR.XX.23.30**
- For use with compact connection **TR.XX.21.01.30** / **TR.XX.21.02.30**
- For use with quick exchange unit **TR.XX.22.30**



Excerpt from the product range

Part No.	Robot model	With recess	A [mm]	B [mm]	Weight [kg]
TR.907.857	KUKA KR 30-3 (HA)	yes	130	115	1.90
	KUKA KR 60-3 (HA)	yes	130	115	1.90
	KUKA KR 60 L45-3 (HA)	yes	130	115	1.90
	KUKA KR 60 L30-3 (HA)	yes	130	115	1.90
TR.907.901	KUKA Quantec, large flange	yes	205	190	2.50
	KUKA Quantec-2, large flange	yes	205	190	2.50
	KUKA KR 125/3	yes	205	190	2.50
	KUKA KR 150/3	yes	205	190	2.50
	KUKA KR 200/3	yes	205	190	2.50
	KUKA KR 150/2 Series 2000	yes	205	190	2.50
TR.907.992	KUKA KR 180/2 Series 2000	yes	205	190	2.50
	KUKA KR 210/2 Series 2000	yes	205	190	2.50
	Fanuc R-2000iA	yes	165	160	2.40
TR.907.992	Fanuc R-2000iB	yes	165	160	2.40
	Fanuc R-2000iC	yes	165	160	2.40
	TR.908.065	Fanuc M-710iC 50	yes	130	124
Fanuc M-710iC 70		yes	130	124	2.20
TR.908.115	KUKA KR 1000 Titan	yes	250	242	3.05
TR.908.347	Stäubli TX 200	yes	145	125	1.90
TR.909.387	Yaskawa UP 50	yes	125	100	1.90
	Yaskawa HP 50	yes	125	100	1.90
	Yaskawa MH 50	yes	125	100	1.90
TR.912.328	KUKA Fortec	yes	235	220	2.70
TR.917.378	KUKA KR 16-3	yes	90	63	1.20
	KUKA KR 20-3	yes	90	63	1.20
TR.919.171	KUKA Iontec	yes	122	145	1.80
TR.907.667.140	KUKA Quantec, small flange	no	140	similar to A	2.20
	KUKA Quantec-2, small flange	no	140	similar to A	2.20
TR.907.667.142	Hyundai HX 165	no	142	similar to A	2.25
TR.907.667.150	Comau NJ 130	no	150	similar to A	2.40
TR.907.667.160	ABB IRB 6400	no	160	similar to A	2.45
	Yaskawa GP180	no	160	similar to A	2.45
TR.907.667.180	Yaskawa GP250	no	180	similar to A	2.55
TR.907.667.190	Comau NH3	no	190	similar to A	2.60
TR.907.667.200	ABB IRB 6640	no	200	similar to A	2.70
	ABB IRB 6620	no	200	similar to A	2.70
	ABB IRB 6650	no	200	similar to A	2.70
	ABB IRB 6700	no	200	similar to A	2.70
	KUKA KR 360-2	no	220	similar to A	2.82
TR.907.667.220	KUKA KR 500-2	no	220	similar to A	2.82
	KUKA KR 360-3	no	220	similar to A	2.82
	KUKA KR 500-3	no	220	similar to A	2.82
	ABB IRB 7600	no	250	similar to A	3.50
TR.907.667.250	Fanuc M900iA 350	no	250	similar to A	3.20
	Fanuc M900iA 260L	no	250	similar to A	3.20
TR.907.667.275	Fanuc M900iA 200P	no	275	similar to A	3.40
TR.907.667.315	Fanuc M900iA 600	no	315	similar to A	3.60
	Fanuc M900iA 400L	no	315	similar to A	3.60
TR.918.002	Universal Robot UR10(e)	no	90	similar to A	0.25
TR.918.012	Universal Robot UR5(e)	no	75	similar to A	0.23
TR.918.027	Universal Robot UR3(e)	no	63	similar to A	0.20

Other dimensions available upon request