

## For multi-axis movements and robots - triflex® R

triflex® R (R for "round") is the third generation of multi-axis igus® e-chains®. The key design characteristics of igus® triflex® R have made this product very successful in the robot industry.


- Defined torsion stop-dog on each e-chain® link
- Defined minimum bend radius
- High tensile strength ball and socket joint
- Compact retraction system options to prevent loop formation
- Fibre-rod option for partial directional control and reinforcement
- No extra support elements required e.g. steel cables, spring suspensions etc.
- Wide range of accessories

### triflex® R available in 5 versions from stock

- TRC** closed design with smooth and robust exterior
- TRE** "easy" design, easy to fill from outside
- TRCF** closed design with snap lock mechanism
- TRL** very lightweight, with "easy" design
- TRLF** light version with snap lock mechanism

### Typical industries and applications

- The first choice for multi-axis robots
- Machine tools
- Handling machines - 6-axis
- Conveyor systems
- Packaging machines
- General mechanical engineering, etc.

 Assembly video available online at  
▶ [www.igus.eu/triflexR\\_assembly](http://www.igus.eu/triflexR_assembly)

 Available from stock. Ready to ship in 24 - 48hrs.\*  
\*Average time before the ordered goods are dispatched.



The defined torsion stop ensures an even distribution of the torsional load across the entire length



A tough, bend radius stop-dog actively prevents cables and hoses from kinking



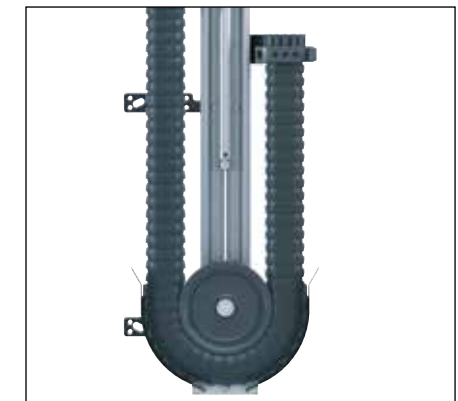
Interior separation: two or three chamber design for reliable cable guidance



Openable - series TRCF and TRLF have snap lock mechanism for easy filling



Tensile strength is absorbed directly by the e-chain® - no additional supports are necessary



4 retraction system options available to prevent formation of loops in the robot's working area



Standard and light mounting brackets available with or without integrated strain relief. Some versions available in ESD material, from stock




Mounting brackets options with gliding feed-through and swivel bearing. Bearing with a maintenance-free igubal® ball and socket joint



Various heavy duty and compact connections and quick-change units are available




 Serie TRC - electrically conductive  
ESD e-chains® - several series available from stock

 UL94-V2 classification

 **iF product design award**  
2004 for igus® series TRC  
2007 for igus® series TRL  
2013 for igus® series TRLF



Technical data

	Speed / acceleration	upon request
	Material - permitted temperature °C, igumid G (TRLF/TRCF)	-40°C / +120°C
	Material - permitted temperature °C, igumid NB (TRC/TRE/TRL)	-40°C / +80°C
	Flammability class, igumid G (TRLF/TRCF)	VDE 0304 IIC UL94-HB
	Flammability class, igumid NB (TRC/TRE/TRL)	VDE 0304 IIC UL94-V2

Reduce installation times with easy-to-use disassembly tools



Easy-to-use disassembly tools for triflex® TRE (B version) and TRCF. Easy disassembly at any point along the e-chain®, even when full.

More information

► [www.igus.eu/triflex\\_B\\_disassemblytool](http://www.igus.eu/triflex_B_disassemblytool)



Assembly video available online at

► [www.igus.eu/triflexR\\_assembly](http://www.igus.eu/triflexR_assembly)

For series	Part No.
TRE.B	Disassembly tool
TRE.40.B	MAT0050175
TRE.50.B	MAT0051190
TRE.60.B / TRE.70.B	MAT0051135
TRE.85.B	MAT0050170
TRE.100.B	MAT0050172

For series	Part No.
TRE.B	Disassembly tool
TRCF.65	MAT0051135
TRCF.85	MAT0050170
TRCF.100	MAT0050172



igus® triflex® R TRLF - light version, easily openable by hand or with a screwdriver



igus® triflex® R TRCF - closed version, openable with a screwdriver



triflex® RS for a low profile retraction system. Integrated fibre rods generate the directed pretension so that loops do not form in the working area



Pneumatic retraction system triflex® RSP - prevents loop forming on the robot

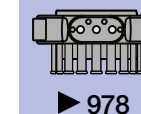
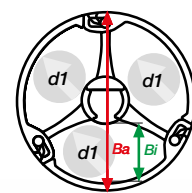


triflex® TR.RSE.40.L or R, cost-effective and lightweight retraction system with deflection roller, for small robots

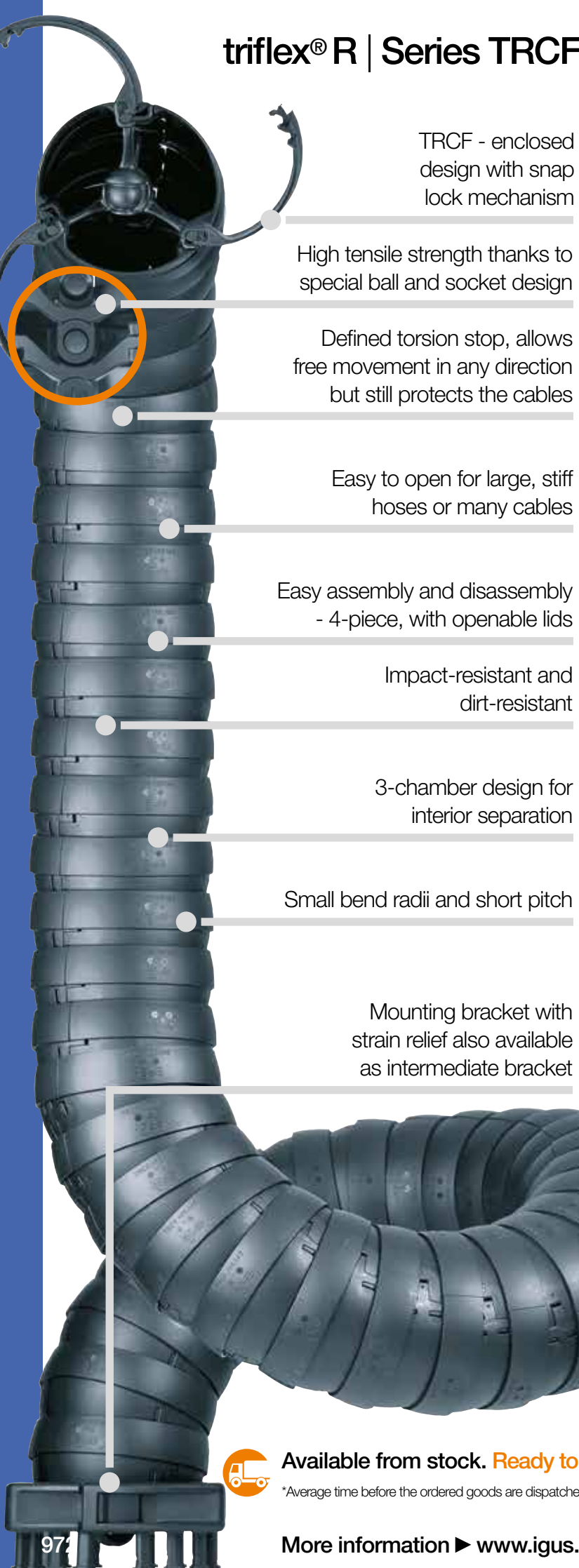


TR.RSE linear retraction system for triflex® R, sizes 40-125





Closed design, chip-resistant, quick filling



TRCF - enclosed design with snap lock mechanism

High tensile strength thanks to special ball and socket design

Defined torsion stop, allows free movement in any direction but still protects the cables

Easy to open for large, stiff hoses or many cables

Easy assembly and disassembly - 4-piece, with openable lids

Impact-resistant and dirt-resistant

3-chamber design for interior separation

Small bend radii and short pitch

Mounting bracket with strain relief also available as intermediate bracket

## Enclosed design with snap lock mechanism - TRCF

- Snap lock mechanism for fast opening to insert large cables or hoses
- Snap lock mechanism openable with a screwdriver
- Defined minimum bend radius and torsion stop-dog for optimum cable protection
- Enclosed version, for use with dirt and chip exposure
- 3 chamber design for ideal cable distribution and separation
- Easy to lengthen and shorten

### Typical industries and applications

- Robotics and automation
- Painting applications
- Large hydraulic hoses
- Screw and rivet feeds
- Tool changer applications
- Robot for laser welding
- Robot for screw and rivet applications

Save time - easy disassembly tool available for triflex® R



Flip open, insert cable, and close snap lock mechanism - then ready to run!



Available from stock. Ready to ship in 24 - 48hrs.\*

\*Average time before the ordered goods are dispatched.

More information ► [www.igus.eu/TRCF](http://www.igus.eu/TRCF)



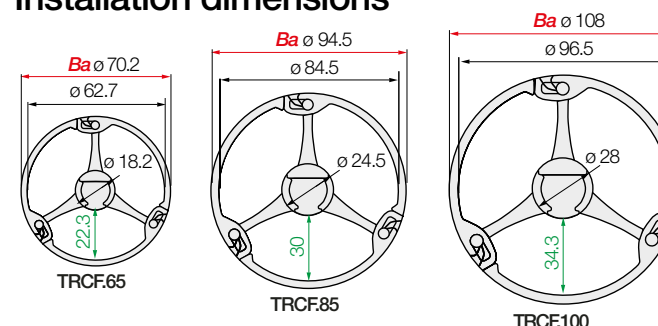
### e-tubes | Series TRCF | Fully enclosed design, with snap lock mechanism

Part No.	Bi1	Ba	R	d1	Pitch	Links per m	Weight
e-tubes	[mm]	[mm]	[mm]	[mm]	[mm]		[kg/m]
TRCF.65 100.0	22.3	70.2	100	20	23.1	44	≈ 1.10
TRCF.65 200.0 <sup>1)</sup>	22.3	70.2	200	20	23.1	44	≈ 1.10
TRCF.85. 135.0	30	94.5	135	28	30.6	33	≈ 2.10
TRCF.85. 240.0 <sup>2)</sup>	30	94.5	240	28	30.6	33	≈ 2.10
TRCF.100.145.0	34.3	108	145	32	34.5	29	≈ 2.70

1) Special size Part No. TRCF.65.200.0 with 200mm bend radius and a range of accessories

2) Special size Part No. TRCF.85.240.0 with 240mm bend radius and a range of accessories

### Installation dimensions



Snap lock mechanism for fast opening, video online ► [www.igus.eu/TRLFlip](http://www.igus.eu/TRLFlip)

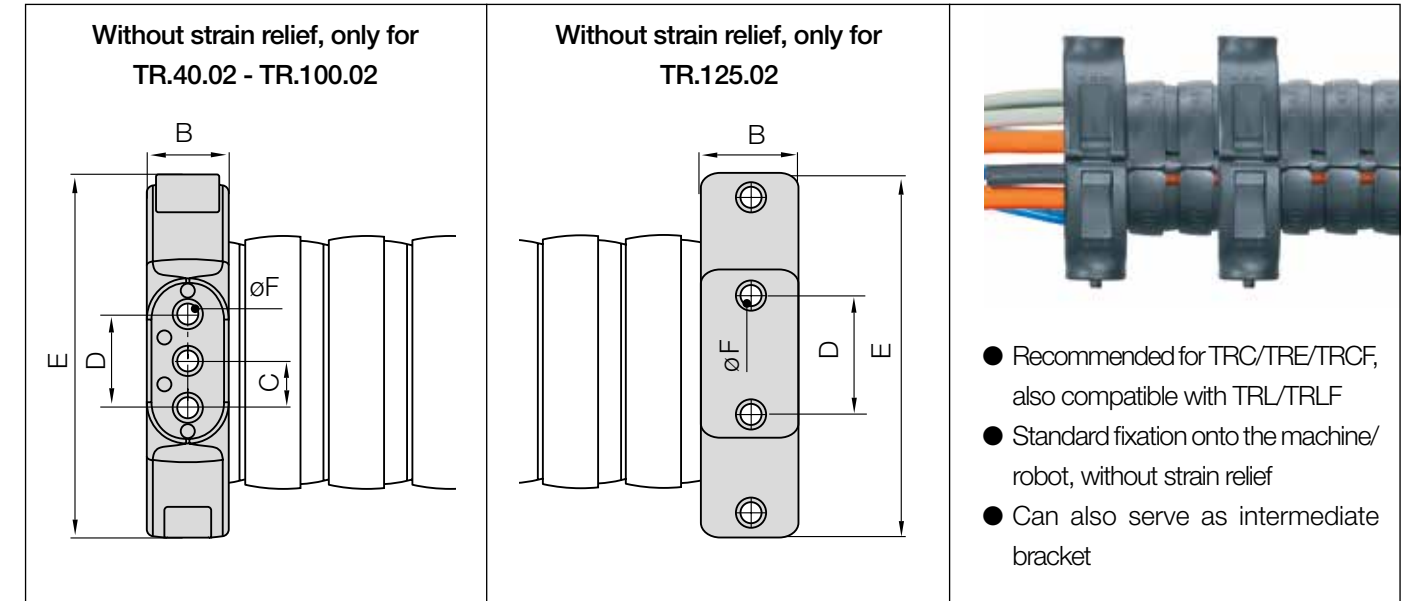
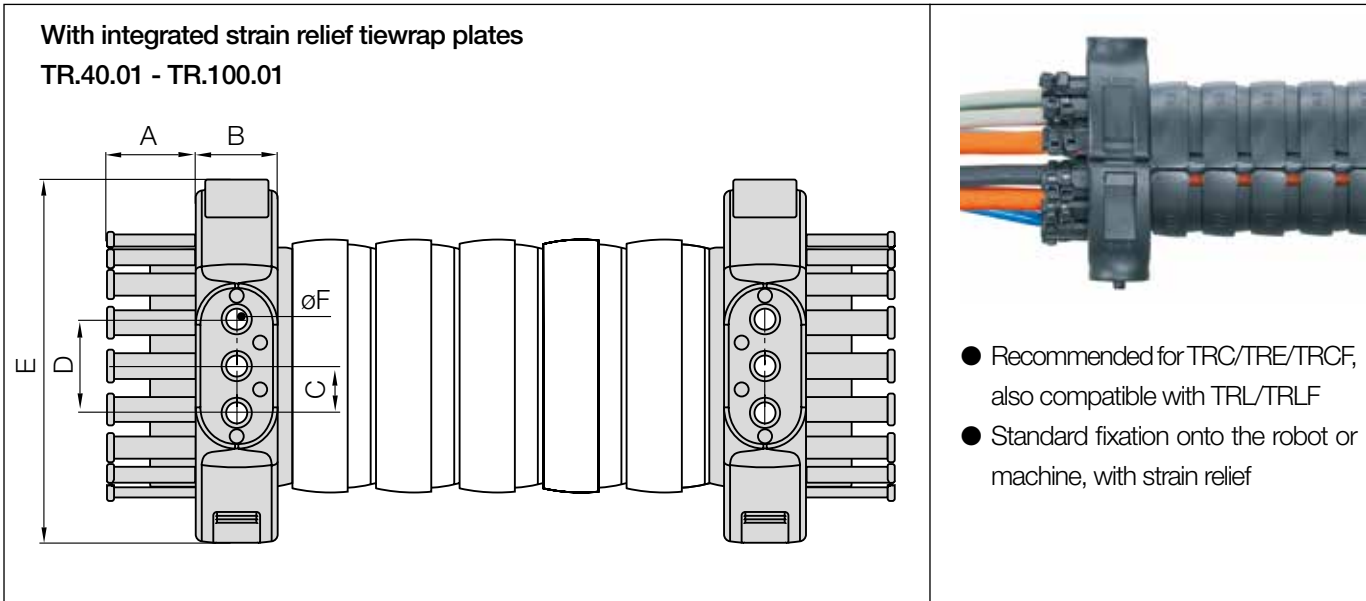
### Special sizes with larger bend radius

- The large bend radii 200/240mm increase the service life of laser light cables by preventing kinks
- Special range of accessories available
- Special sizes Part No. TRCF.65.200.0 and TRCF.85.240.0

More information ► [www.igus.eu/TRCF](http://www.igus.eu/TRCF)



R 200 / 240mm



Standard mounting brackets | **With strain relief**



Ø Index	Part No. with strain relief	A [mm]	B [mm]	C [mm]	D [mm]	E [mm]	F [mm]
30.	Alternative: light mounting bracket	-	-	-	-	-	-
40.	▶ TR.40.01.M6 <sup>1) 2)</sup>	17.8	21	13.5	27	84.5	6.5
50.	▶ TR.50.01.M6 <sup>1)</sup>	21	21	13.5	27	84.5	6.5
60.	▶ TR.60.01.M8 <sup>1) 2)</sup>	25	32	20	40	126	9
65.	▶ TR.65.01.M8 <sup>1)</sup>	25	32	20	40	126	9
65. (R 200)	▶ TR.65.200.01.M8 <sup>1) 4)</sup>	25	32	20	40	126	9
70.	▶ TR.70.01.M8 <sup>1) 2)</sup>	25	32	20	40	126	9
85.	▶ TR.85.01.M8 <sup>1)</sup>	38	35	20	40	155	9
85. (R 240)	▶ TR.85.240.01.M8 <sup>1) 4)</sup>	38	35	20	40	155	9
100.	▶ TR.100.01.M8 <sup>1)</sup>	38	35	20	40	155	9
125.	▶ Alternative: standard mounting bracket without strain relief	-	-	-	-	-	-

Strain reliefs are for use on the fixed end and/or moving end.

Standard: through holes in Ø F - 1) option: with threaded bushings, steel, M6/M8

2) ⚠ ESD version (Electro Static Discharge) available from stock. More information ▶ From page 142

4) Only for special size with larger bend radius

Standard mounting brackets | **Without strain relief**

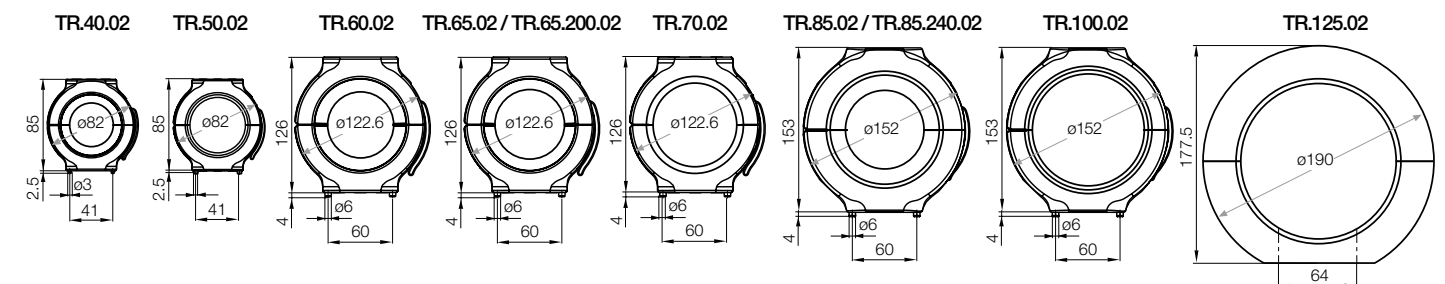
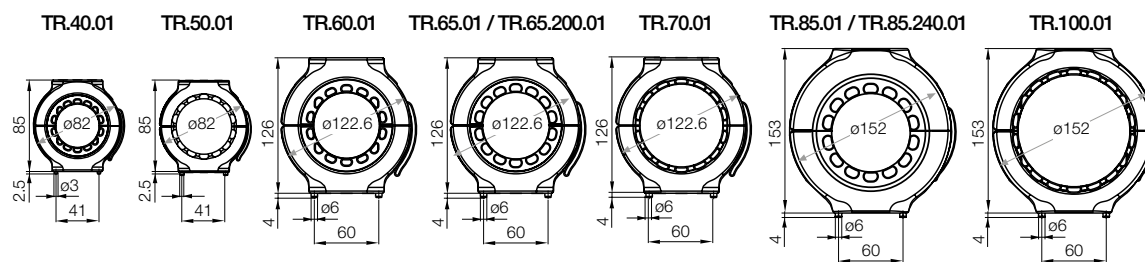


Ø Index	Part No. without strain relief or as intermediate bracket	A [mm]	B [mm]	C [mm]	D [mm]	E [mm]	F [mm]
30.	Alternative: light mounting bracket	-	-	-	-	-	-
40.	▶ TR.40.02.M6 <sup>1)</sup>	-	21	13.5	27	84.5	6.5
50.	▶ TR.50.02.M6 <sup>1)</sup>	-	21	13.5	27	84.5	6.5
60.	▶ TR.60.02.M8 <sup>1)</sup>	-	32	20	40	126	9
65.	▶ TR.65.02.M8 <sup>1)</sup>	-	32	20	40	126	9
65. (R 200)	▶ TR.65.200.02.M8 <sup>1) 4)</sup>	-	32	20	40	126	9
70.	▶ TR.70.02.M8 <sup>1)</sup>	-	32	20	40	126	9
85.	▶ TR.85.02.M8 <sup>1)</sup>	-	35	20	40	155	9
85. (R 240)	▶ TR.85.240.02.M8 <sup>1) 4)</sup>	-	35	20	40	155	9
100.	▶ TR.100.02.M8 <sup>1)</sup>	-	35	20	40	155	9
125.	▶ TR.125.02.M8 <sup>1)</sup>	-	40	-	64	190	9

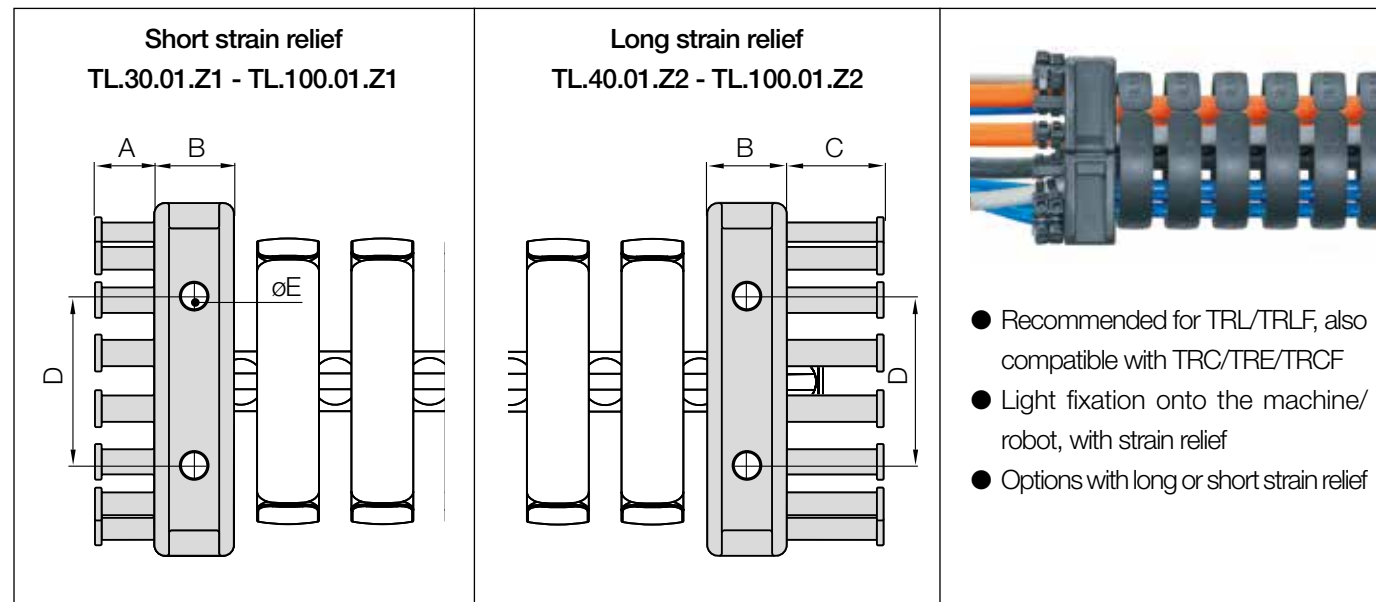
Standard: through holes in Ø F - 1) option: with threaded bushings, steel, M6/M8

2) ⚠ ESD version (Electro Static Discharge) available from stock. More information ▶ From page 142

4) Only for special size with larger bend radius







- Recommended for TRL/TRLF, also compatible with TRC/TRE/TRCF
- Light fixation onto the machine/robot, with strain relief
- Options with long or short strain relief

**Light mounting brackets | With strain relief**



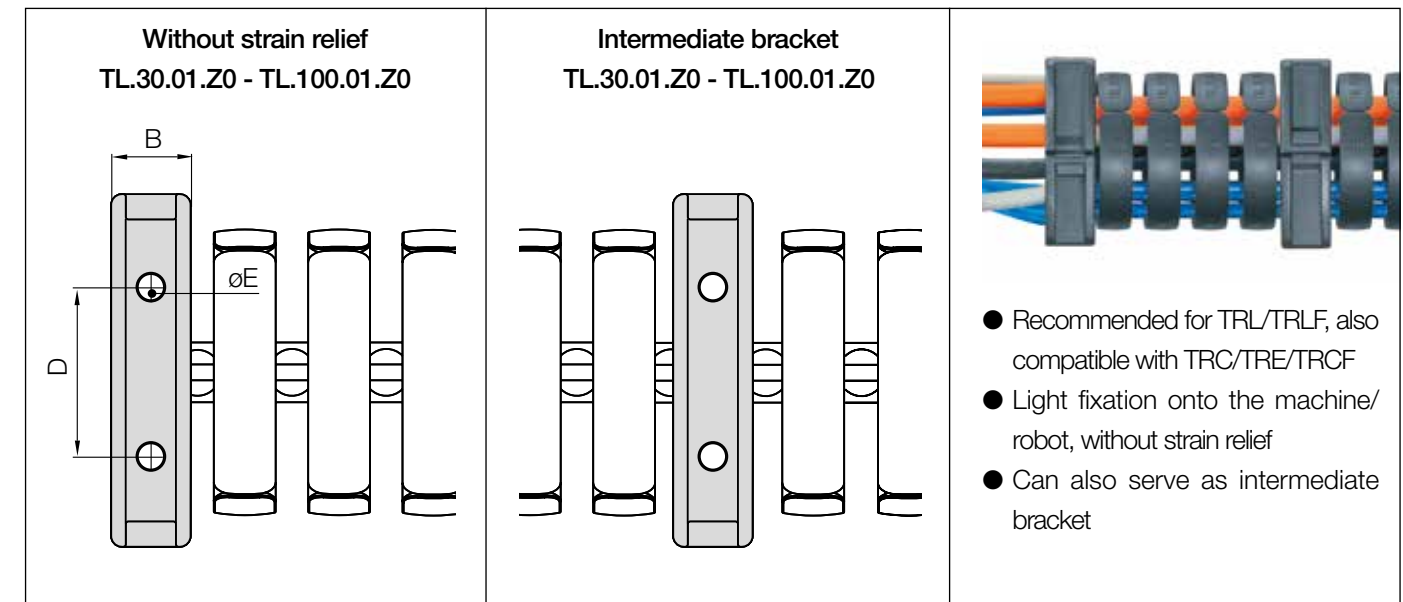
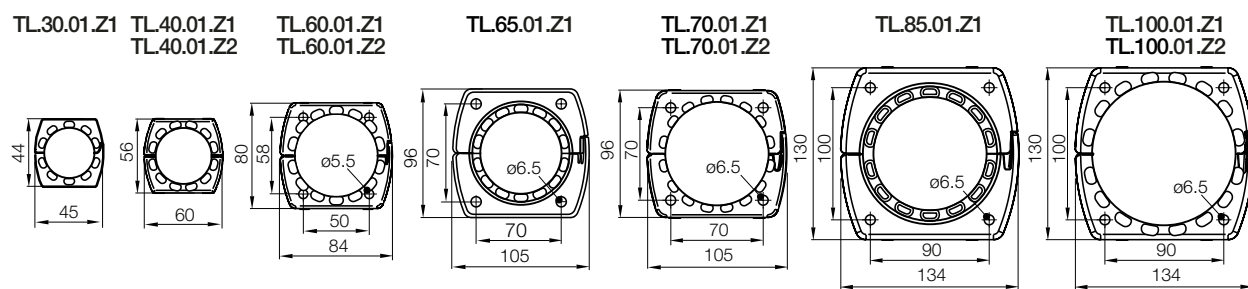
TL.30.01.Z1 - TL.100.01.Z1



TL.40.01.Z2 - TL.100.01.Z2

Ø Index	Part No. with short strain relief	Part No. with long strain relief	A [mm]	B [mm]	C [mm]	D [mm]	E [mm]
30.	▶ TL.30.01.Z1	–	12.5	13	–	24	4.5
40.	▶ TL.40.01.Z1 <sup>1)</sup>	▶ TL.40.01.Z2	12.5	14	20	36	5.8
50.	▶ Alternative: standard mounting bracket		–	–	–	–	–
60.	▶ TL.60.01.Z1 <sup>1)</sup>	▶ TL.60.01.Z2	17	20	27	48	5.8
65.	▶ TL.65.01.Z1 <sup>1)</sup>	–	13.5	27	–	64	6.5
65. (R 200)	▶ Alternative: standard mounting bracket		–	–	–	–	–
70.	▶ TL.70.01.Z1 <sup>1)</sup>	▶ TL.70.01.Z2	17.5	27	27.5	64	6.5
85.	▶ TL.85.01.Z1	–	26.5	30	–	64	6.5
85. (R 240)	▶ Alternative: standard mounting bracket		–	–	–	–	–
100.	▶ TL.100.01.Z1 <sup>1)</sup>	▶ TL.100.01.Z2	22.5	30	42.5	64	6.5
125.	▶ Alternative: standard mounting bracket		–	–	–	–	–

<sup>1)</sup> For moving end (ball) suitable only for series TRL/TRLF



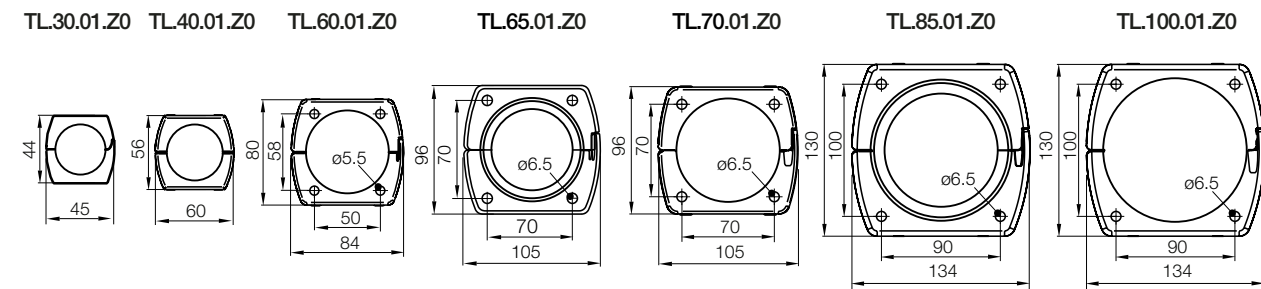
- Recommended for TRL/TRLF, also compatible with TRC/TRE/TRCF
- Light fixation onto the machine/robot, without strain relief
- Can also serve as intermediate bracket

**Light mounting brackets | Without strain relief**

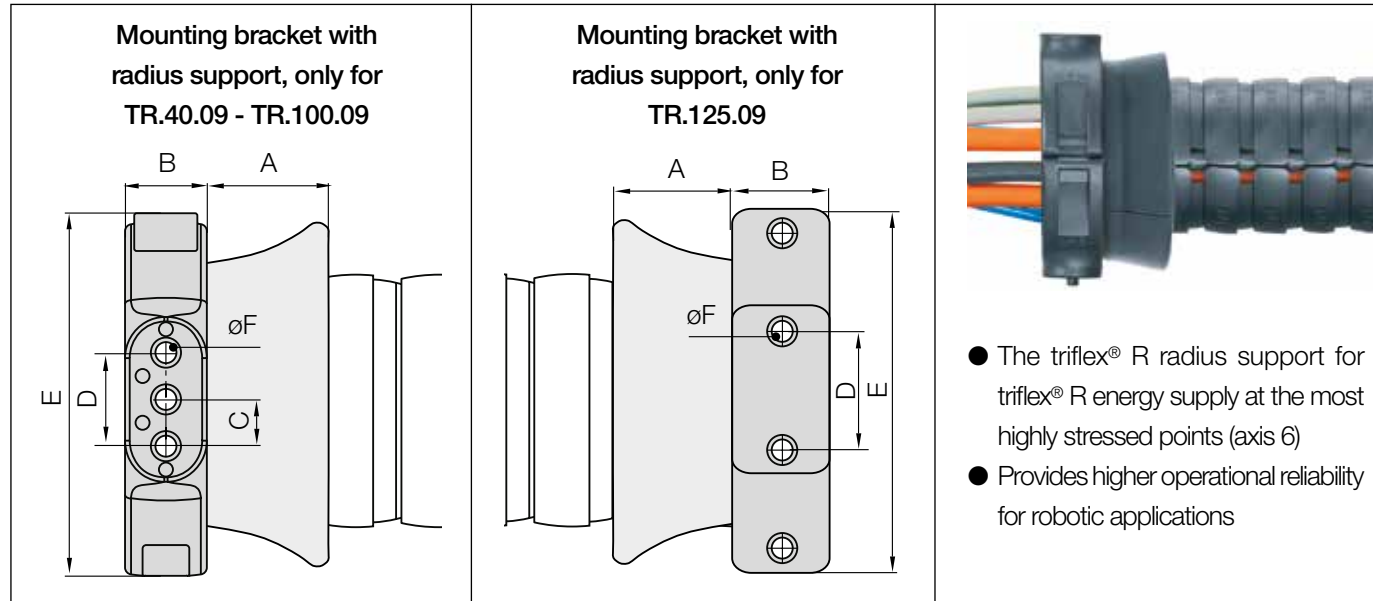


TL.30.01.Z0 - TL.100.01.Z0

Ø Index	Part No. without strain relief or as intermediate bracket	A [mm]	B [mm]	C [mm]	D [mm]	E [mm]
30.	▶ TL.30.01.Z0	–	13	–	24	4.5
40.	▶ TL.40.01.Z0	–	14	–	36	5.8
50.	▶ Alternative: standard mounting bracket	–	–	–	–	–
60.	▶ TL.60.01.Z0	–	20	–	48	5.8
65.	▶ TL.65.01.Z0	–	27	–	64	6.5
65. (R 200)	▶ Alternative: standard mounting bracket	–	–	–	–	–
70.	▶ TL.70.01.Z0	–	27	–	64	6.5
85.	▶ TL.85.01.Z0	–	30	–	64	6.5
85. (R 240)	▶ Alternative: standard mounting bracket	–	–	–	–	–
100.	▶ TL.100.01.Z0	–	30	–	64	6.5
125.	▶ Alternative: standard mounting bracket	–	–	–	–	–



## Mounting brackets | With radius support



## Mounting brackets | With radius support | For TRC·TRE·TRCF·TRL·TRLF



TR.40.09 - TR.100.09



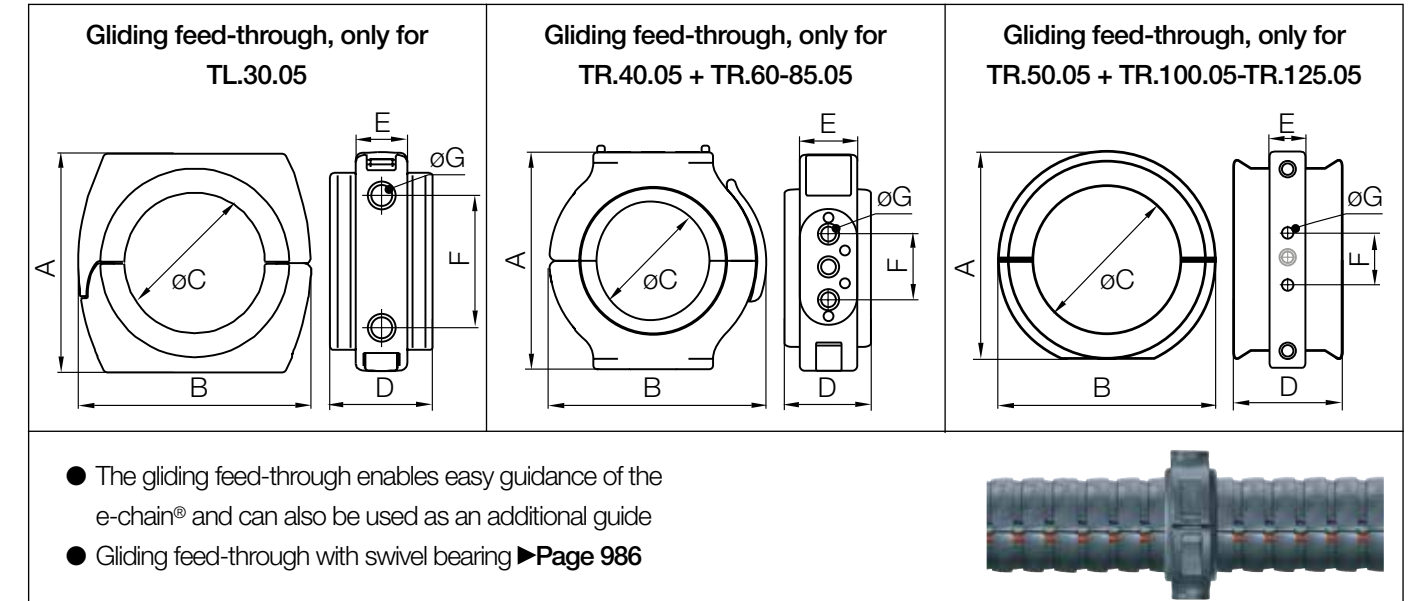
TR.125.09

Ø Index	Part No. with radius support	A [mm]	B [mm]	C [mm]	D [mm]	E [mm]	F [mm]
30.	▶ -	-	-	-	-	-	-
40.	▶ TR.40.09.M6 <sup>1)</sup>	28	21	13.5	27	84.5	6.5
50.	▶ TR.50.09.M6 <sup>1)</sup>	38	21	13.5	27	84.5	6.5
60.	▶ TR.60.09.M8 <sup>1)</sup>	38	32	20	40	126	9
65.	▶ TR.65.09.M8 <sup>1)</sup>	45	32	20	40	126	9
65. (R 200)	▶ -	-	-	-	-	-	-
70.	▶ TR.70.09.M8 <sup>1)</sup>	43	32	20	40	126	9
85.	▶ TR.85.09.M8 <sup>1)</sup>	49	35	20	40	155	9
85. (R 240)	▶ -	-	-	-	-	-	-
100.	▶ TR.100.09.M8 <sup>1)</sup>	67	35	20	40	155	9
125.	▶ TR.125.09.M8 <sup>1)</sup>	72	40	-	64	190	9

Standard: through holes in Ø F

1) Option: with threaded bushings, steel, M6/M8

## Gliding feed-throughs



## Gliding feed-through | For TRC·TRE·TRCF



TL.30.05



TR.40.05 + TR.60-85.05



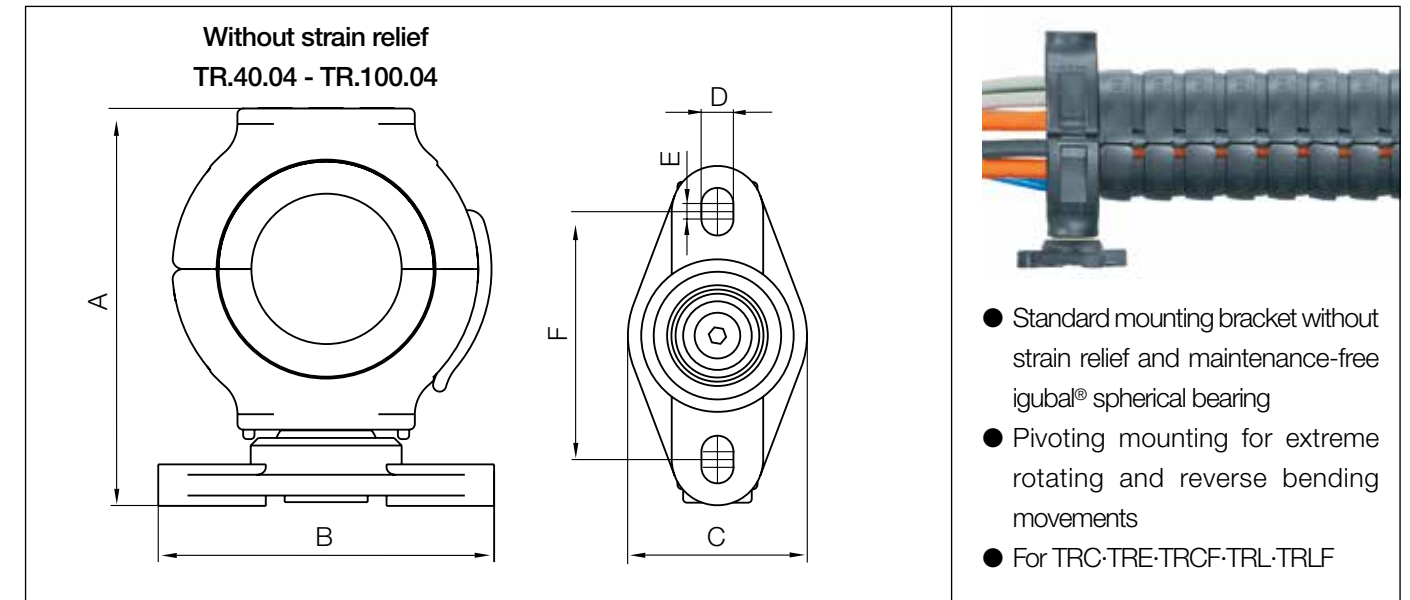
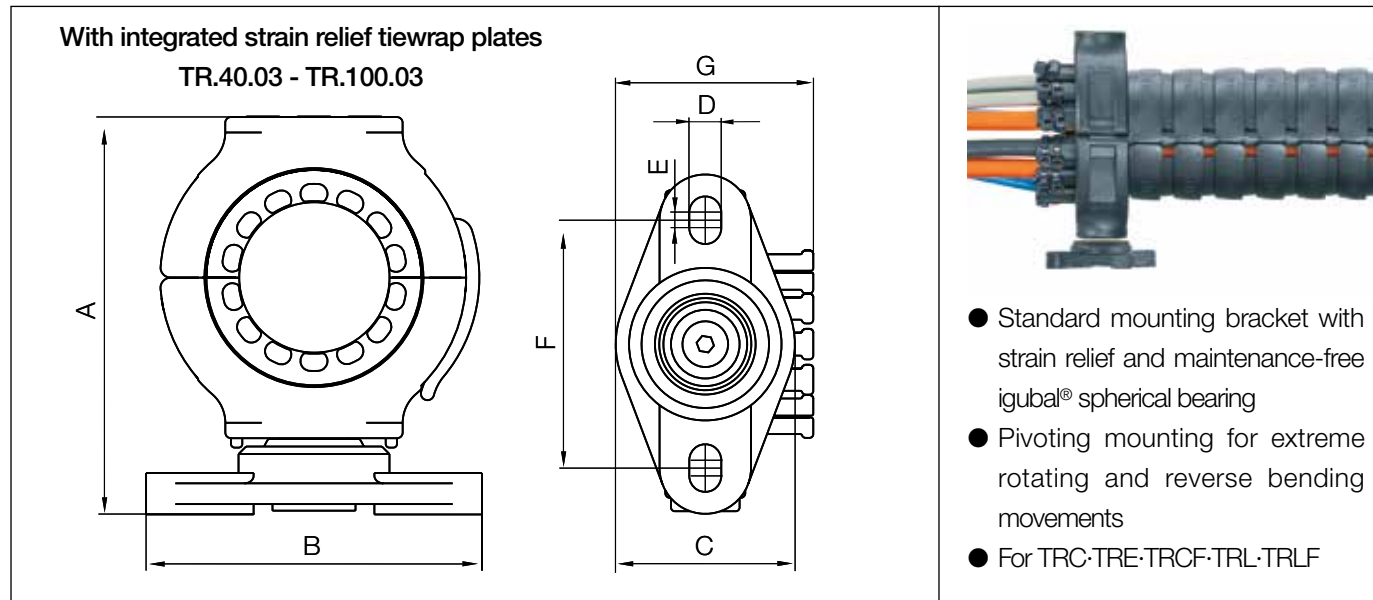
TR.50.05 + TR.100.05 - TR.125.05

Ø Index	Part No. Gliding feed-through	A [mm]	B [mm]	C [mm]	D [mm]	E [mm]	F [mm]	G [mm]
30.	▶ TL.30.05	56	60	36	28	14	36	5.8
40.	▶ TR.40.05.M6 <sup>1)</sup>	85	84.5	46	32	21	27	6.5
50.	▶ TR.50.05.M6 <sup>1)</sup>	96	102	58	67	21	27	6.5
60.	▶ TR.60.05.M8 <sup>1)</sup>	126	126	70	50	32	40	9
65.	▶ TR.65.05.M8 <sup>1)</sup>	126	126	75	75	32	40	9
65. (R 200)	▶ TR.65.05.M8 <sup>1)</sup>	126	126	75	75	32	40	9
70.	▶ TR.70.05.M8 <sup>1)</sup>	153	155	86	70	35	40	9
85.	▶ TR.85.05.M8 <sup>1)</sup>	153	155	100	84	35	40	9
85. (R 240)	▶ TR.85.05.M8 <sup>1)</sup>	153	155	100	84	35	40	9
100.	▶ TR.100.05.M8 <sup>1)</sup> *	162.5	169.5	115	85	28	40	8.5
125.	▶ TR.125.05.M8 <sup>1)</sup>	179	190	142	84	40	64	9

\*TR.100.05 with 3 holes

Standard: through holes in Ø G

1) Option: with threaded bushings, steel, M6/M8



## Swivel bearing-mounting brackets | With strain relief | For TRC·TRE·TRCF·TRL·TRLF



TR.40.03 - TR.100.03

Ø Index	Part No. with strain relief	A [mm]	B [mm]	C [mm]	D [mm]	E [mm]	F [mm]	G [mm]
30.	▶ -	-	-	-	-	-	-	-
40.	▶ TR.40.03	105	89	47	8.4	4.1	65	51.8
50.	▶ TR.50.03	105	89	47	8.4	4.1	65	55
60.	▶ TR.60.03	152	118	65	10.5	5.5	87.5	73.5
65.	▶ TR.65.03	152	118	65	10.5	5.5	87.5	73.5
65. (R 200)	▶ TR.65.200.03 <sup>4)</sup>	152	118	65	10.5	5.5	87.5	73.5
70.	▶ TR.70.03	152	118	65	10.5	5.5	87.5	73.5
85.	▶ TR.85.03	179	118	65	10.5	5.5	87.5	88
85. (R 240)	▶ TR.85.240.03 <sup>4)</sup>	179	118	65	10.5	5.5	87.5	88
100.	▶ TR.100.03	179	118	65	10.5	5.5	87.5	88
125.	▶ -	-	-	-	-	-	-	-

4) Only for special size with larger bend radius

## Swivel bearing mounting brackets | Without strain relief | For TRC·TRE·TRCF·TRL·TRLF



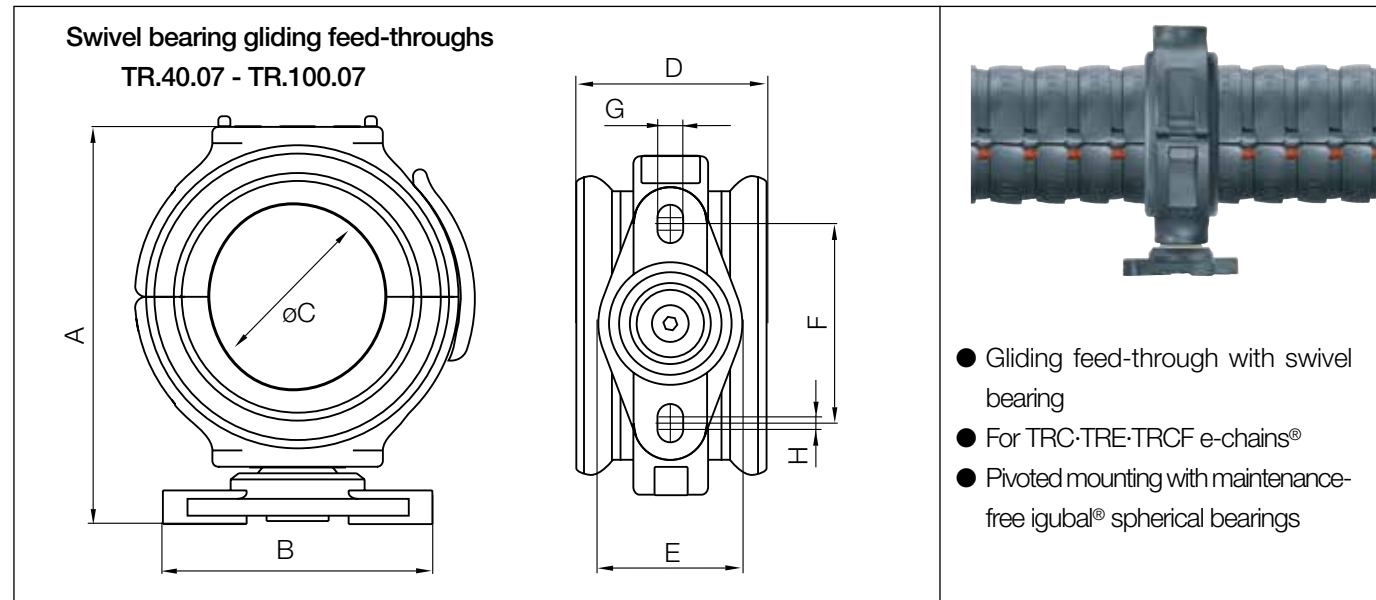
TR.40.04 - TR.100.04

Ø Index	Part No. without strain relief	A [mm]	B [mm]	C [mm]	D [mm]	E [mm]	F [mm]	G [mm]
30.	▶ -	-	-	-	-	-	-	-
40.	▶ TR.40.04	105	89	47	8.4	4.1	65	-
50.	▶ TR.50.04	105	89	47	8.4	4.1	65	-
60.	▶ TR.60.04	152	118	65	10.5	5.5	87.5	-
65.	▶ TR.65.04	152	118	65	10.5	5.5	87.5	-
65. (R 200)	▶ TR.65.200.04 <sup>4)</sup>	152	118	65	10.5	5.5	87.5	-
70.	▶ TR.70.04	179	118	65	10.5	5.5	87.5	-
85.	▶ TR.85.04	179	118	65	10.5	5.5	87.5	-
85. (R 240)	▶ TR.85.240.04 <sup>4)</sup>	179	118	65	10.5	5.5	87.5	-
100.	▶ TR.100.04	-	-	-	-	-	-	-
125.	▶ -	-	-	-	-	-	-	-

4) Only for special size with larger bend radius



## Swivel bearing gliding feed-throughs



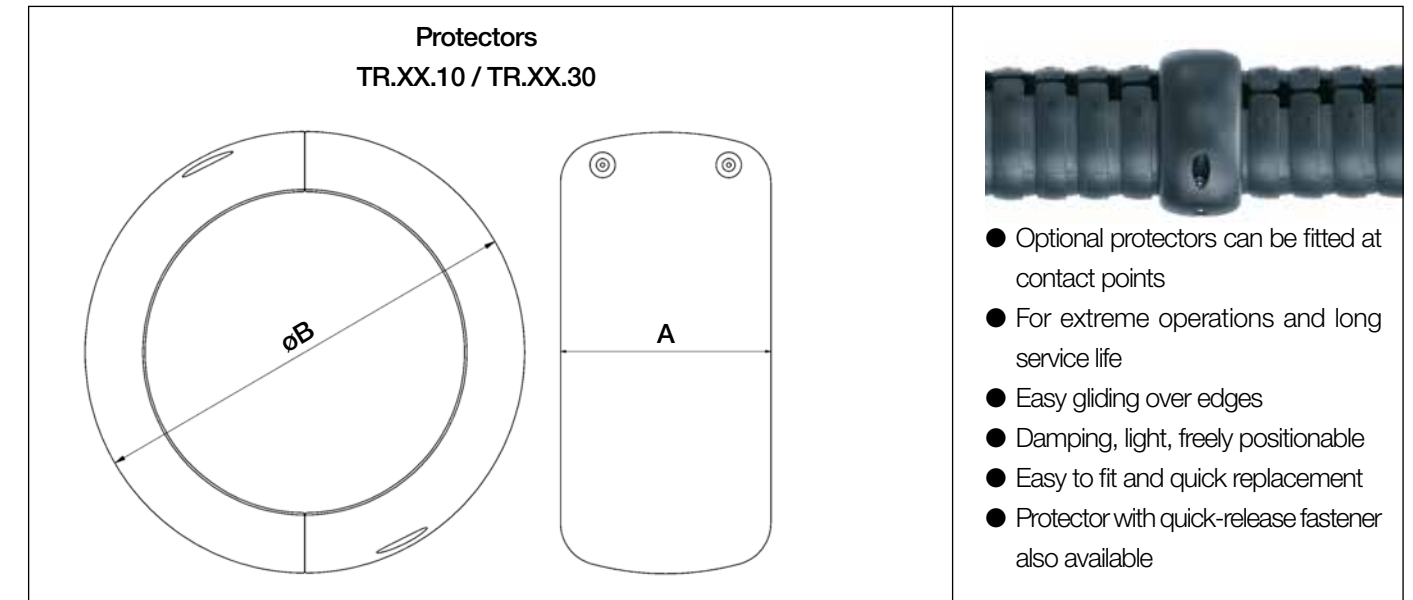
## Swivel bearing gliding feed-throughs | For TRC·TRE·TRCF



TR.40.07 - TR.100.07

Ø Index	Part No. with swivel bearing	A [mm]	B [mm]	C [mm]	D [mm]	E [mm]	F [mm]	G [mm]
30.	▶ -	-	-	-	-	-	-	-
40.	▶ TR.40.07	108	89	46	32	47	65	8.4
50.	▶ TR.50.07	119	89	58	67	47	65	8.4
60.	▶ TR.60.07	156	118	70	50	65	87.5	10.5
65.	▶ TR.65.07	156	118	75	75	65	87.5	10.5
65. (R 200)	▶ TR.65.07	156	118	75	75	65	87.5	10.5
70.	▶ TR.70.07	183	118	86	70	65	87.5	10.5
85.	▶ TR.85.07	183	118	100	84	65	87.5	10.5
85. (R 240)	▶ TR.85.07	183	118	100	84	65	87.5	10.5
100.	▶ TR.100.07	189	118	115	85	79	87.5	10.5
125.	▶ -	-	-	-	-	-	-	-

## Protectors



## Protectors | For TRC·TRE·TRCF



TR.40.10 - TR.125.10



TR.40.30 - TR.100.30

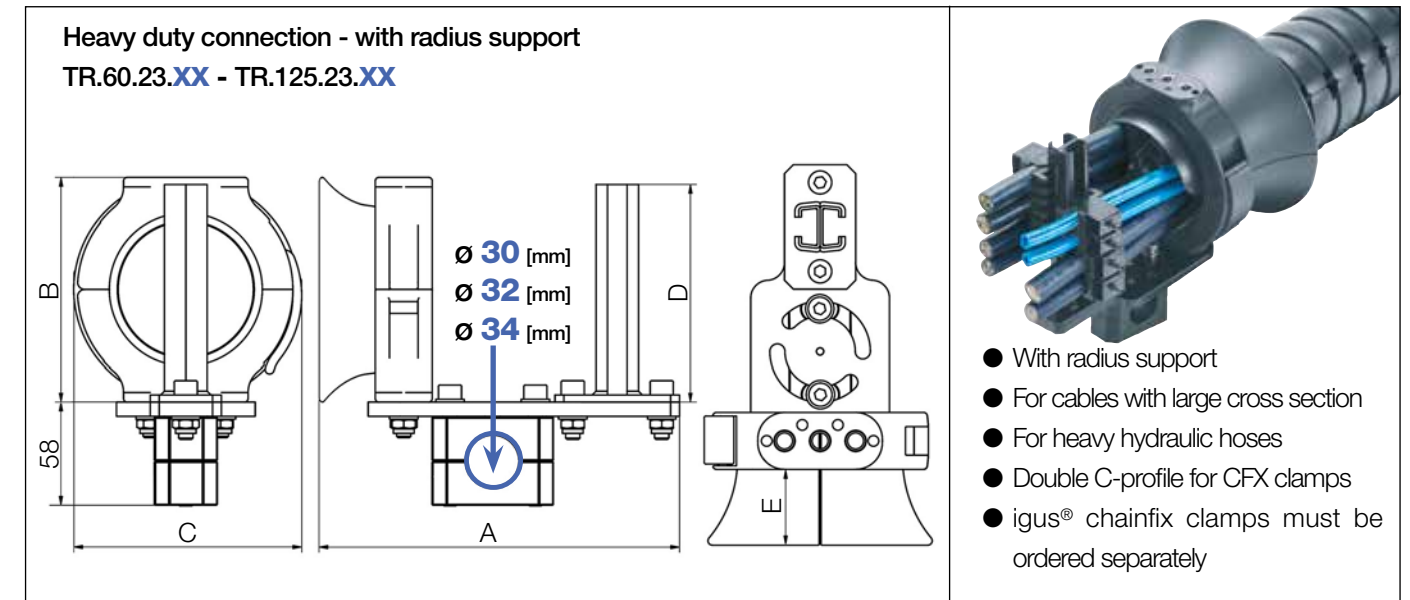
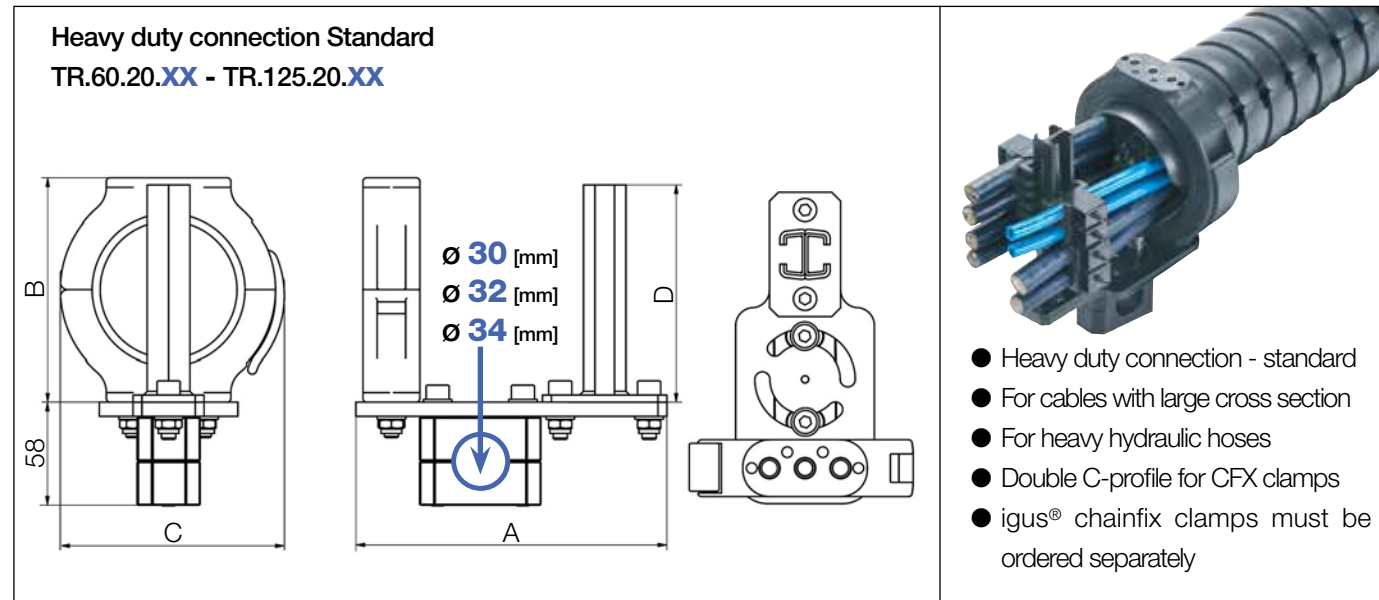
Ø Index	Part No. with screw connection	Part No. with quick release	A [mm]	B [mm]
30.	▶ -	-	-	-
40.	▶ TR.40.10	TR.40.30 <sup>2)</sup>	27	55
50.	▶ TR.50.10	TR.50.30	34	69
60.	▶ TR.60.10	TR.60.30 <sup>2)</sup>	40	80
65.	▶ TR.65.10	TR.65.30 <sup>5)</sup>	44	88
65. (R 200)	▶ TR.65.200.10 <sup>5)</sup>	-	44	88
70.	▶ TR.70.10	TR.70.30	50	102
85.	▶ TR.85.10	TR.85.30	59	118
85. (R 240)	▶ TR.85.240.10 <sup>4)</sup>	-	63	120
100.	▶ TR.100.10	TR.100.30	67	133
125.	▶ TR.125.10	-	82	170

2) TR.40.30, TR.60.30 without an additional locking clip

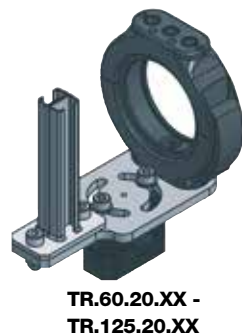
4) Only for special size with larger bend radius

5) Available upon request. Please consult igus® for delivery time.





Standard Heavy duty connections | For TRC·TRE·TRCF



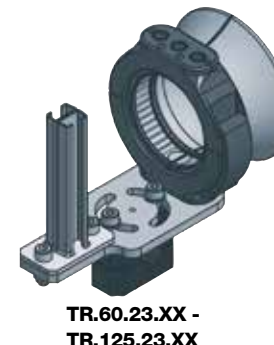
Ø Index	Part No. Standard	Clamp ø [mm]	A [mm]	B [mm]	C [mm]	D [mm]	E [mm]
30.	▶ -	-	-	-	-	-	-
40.	▶ -	-	-	-	-	-	-
50.	▶ -	-	-	-	-	-	-
60.	▶ TR.60.20.	30   32   34	175	126	126	122	-
65.	▶ TR.65.20.	30   32   34	175	126	126	122	-
65. (R 200)	▶ TR.65.200.20. 4)	30   32   34	175	126	126	122	-
70.	▶ TR.70.20.	30   32   34	175	126	126	122	-
85.	▶ TR.85.20.	30   32   34	175	153	155	149	-
85. (R 240)	▶ TR.85.240.20. 4)	30   32   34	175	153	155	149	-
100.	▶ TR.100.20.	30   32   34	175	153	155	149	-
125.	▶ TR.125.20.	30   32   34	180	190	190	175	-

Standard clamp for axis 6: ø 30mm

4) Only for special size with larger bend radius

Part No. with desired diameter for the axis 6 clamp | 30 | 32 | 34 | e.g. TR.100.20.30

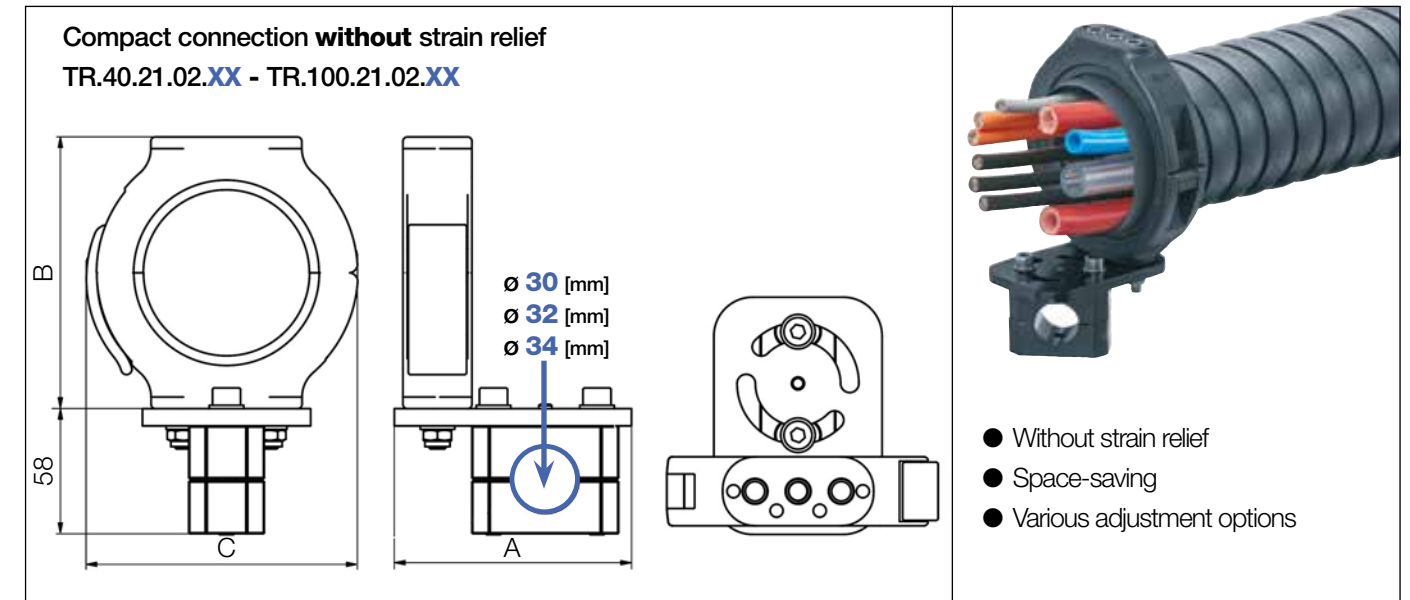
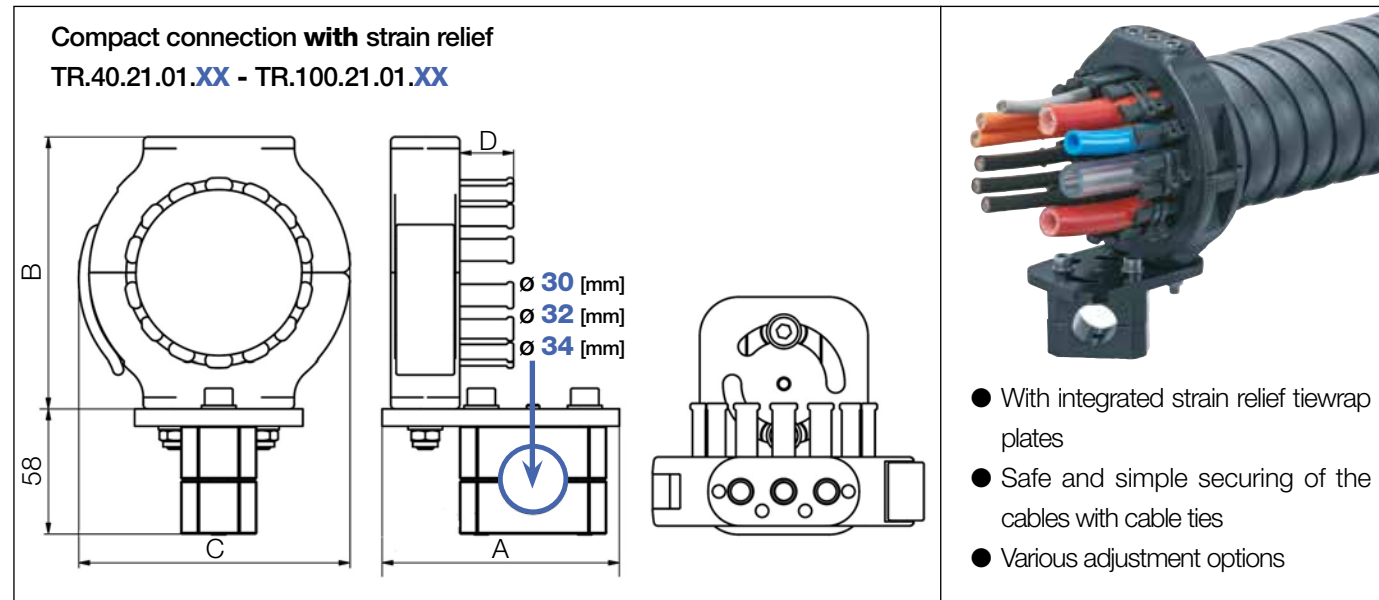
Heavy duty connections | With radius support | For TRC·TRE·TRCF



Ø Index	Part No. with radius support	Clamp ø [mm]	A [mm]	B [mm]	C [mm]	D [mm]	E [mm]
30.	▶ -	-	-	-	-	-	-
40.	▶ -	-	-	-	-	-	-
50.	▶ -	-	-	-	-	-	-
60.	▶ TR.60.23.	30   32   34	209	126	130	122	38
65.	▶ TR.65.23.	30   32   34	214	126	130	122	45
65. (R 200)	▶ -	-	-	-	-	-	-
70.	▶ TR.70.23.	30   32   34	214	126	130	122	43
85.	▶ TR.85.23.	30   32   34	222	155	155	149	49
85. (R 240)	▶ -	-	-	155	-	149	-
100.	▶ TR.100.23.	30   32   34	240	155	155	149	67
125.	▶ TR.125.23.	30   32   34	252	190	190	175	72

Standard clamp for axis 6: ø 30mm

Part No. with desired diameter for the axis 6 clamp | 30 | 32 | 34 | e.g. TR.100.23.30

Compact connections | **With strain relief** | For TRC·TRE·TRCF

TR.40.21.01.XX - TR.100.21.01.XX

Ø Index	Part No. with strain relief	Clamp ø [mm]	A [mm]	B [mm]	C [mm]	D [mm]
30.	▶ -	-	-	-	-	-
40.	▶ TR.40.21.01.	30   32   34	110	85	84.5	17.8
50.	▶ TR.50.21.01.	30   32   34	110	85	84.5	21
60.	▶ TR.60.21.01.	30   32   34	110	126	126	25
65.	▶ TR.65.21.01.	30   32   34	110	126	126	25
65. (R 200)	▶ TR.65.200.21.01. 4)	30   32   34	110	126	126	25
70.	▶ TR.70.21.01.	30   32   34	110	126	126	25
85.	▶ TR.85.21.01.	30   32   34	110	153	155	38
85. (R 240)	▶ TR.85.240.21.01. 4)	30   32   34	110	153	155	38
100.	▶ TR.100.21.01.	30   32   34	110	153	155	38
125.	▶ -	-	-	-	-	-

Standard clamp for axis 6: ø 30mm

4) Only for special size with larger bend radius

Part No. with desired diameter for the axis 6 clamp | 30 | 32 | 34 | e.g. TR.100.21.01.30

Compact connections | **Without strain relief** | For TRC·TRE·TRCF

TR.40.21.02.XX - TR.100.21.02.XX

Ø Index	Part No. without strain relief	Clamp ø [mm]	A [mm]	B [mm]	C [mm]	D [mm]
30.	▶ -	-	-	-	-	-
40.	▶ TR.40.21.02.	30   32   34	110	85	84.5	-
50.	▶ TR.50.21.02.	30   32   34	110	85	84.5	-
60.	▶ TR.60.21.02.	30   32   34	110	126	126	-
65.	▶ TR.65.21.02.	30   32   34	110	126	126	-
65. (R 200)	▶ TR.65.200.21.02. 4)	30   32   34	110	126	126	-
70.	▶ TR.70.21.02.	30   32   34	110	126	126	-
85.	▶ TR.85.21.02.	30   32   34	110	153	155	-
85. (R 240)	▶ TR.85.240.21.02. 4)	30   32   34	110	153	155	-
100.	▶ TR.100.21.02.	30   32   34	110	153	155	-
125.	▶ -	-	-	-	-	-

Standard clamp for axis 6: ø 30mm

4) Only for special size with larger bend radius

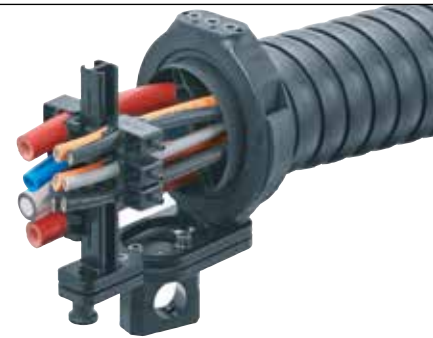
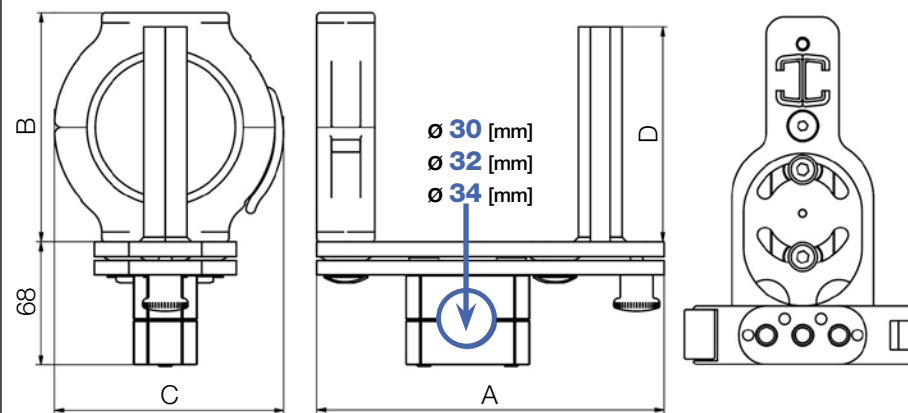
Part No. with desired diameter for the axis 6 clamp | 30 | 32 | 34 | e.g. TR.100.21.02.30



## Quick exchange kit for clamp axis 6

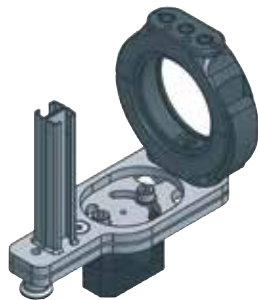
## Quick exchange kit

TR.60.22.XX - TR.100.22.XX



- Exchange in seconds
- No repeat alignment required
- Exchange the triflex® R unit incl. cables without tools
- Option available with strain relief

## Quick exchange kit | For TRC·TRE·TRCF



TR.60.22.XX - TR.100.22.XX

Ø Index	Part No. quick-change unit	Clamp Ø [mm]	A [mm]	B [mm]	C [mm]	D [mm]
30.	▶ -	-	-	-	-	-
40.	▶ -	-	-	-	-	-
50.	▶ -	-	-	-	-	-
60.	▶ TR.60.22.	30   32   34	191	126	126	126
65.	▶ TR.65.22.	30   32   34	191	126	126	126
65. (R 200)	▶ TR.65.200.22. 4)	30   32   34	191	126	126	126
70.	▶ TR.70.22.	30   32   34	191	126	126	126
85.	▶ TR.85.22.	30   32   34	191	153	155	153
85. (R 240)	▶ TR.85.240.22. 4)	30   32   34	191	153	155	153
100.	▶ TR.100.22.	30   32   34	191	153	155	153
125.	▶ -	-	-	-	-	-

Standard clamp for axis 6: ø 30mm

4) Only for special size with larger bend radius

Part No. with desired diameter for the axis 6 clamp | 30 | 32 | 34 | e.g. TR.100.22.30

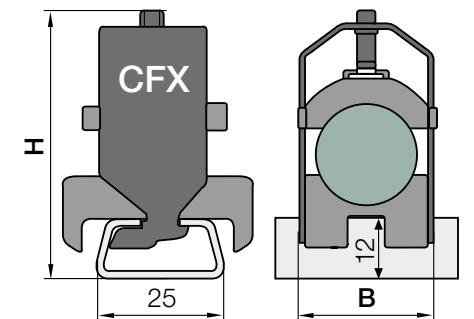
## chainfix clamps

## chainfix | Single clamp incl. bottom saddles

- For use with heavy-duty connection TR.XX.20 / TR.XX.23 and quick release unit TR.XX.22
- Reliably absorbs tensile forces even for larger cable diameters
- Specifically recommended for solid welding cables and rigid hydraulic hoses
- Space- and time-saving assembly onto the C-profile
- Simple assembly with hex head set screw
- High strength for dynamic applications with improved stacker elements
- Built-in ribs on the stacker elements give secure grip on the cables
- Steel (material galvanised steel) or stainless steel (material 1.4301/AISI 304) available



Part No. steel	Part No. stainless steel*	≤ Ø [mm]	B+2 [mm]	H [mm]	Part No. steel	Part No. stainless steel*	≤ Ø [mm]	B+2 [mm]	H [mm]
CFX12.1	CFX12.1.E	06 - 12	16	54	CFX22.1	CFX22.1.E	20 - 22	26	58
CFX14.1	CFX14.1.E	12 - 14	18	50	CFX26.1	CFX26.1.E	22 - 26	30	67
CFX16.1	CFX16.1.E	14 - 16	20	52	CFX30.1	CFX30.1.E	26 - 30	34	71
CFX18.1	CFX18.1.E	16 - 18	22	54	CFX34.1	CFX34.1.E	30 - 34	38	75
CFX20.1	CFX20.1.E	18 - 20	24	56	*Stainless steel material: 1.4301/AISI 304				



Individual strain relief for every cable offers security and easy replacement