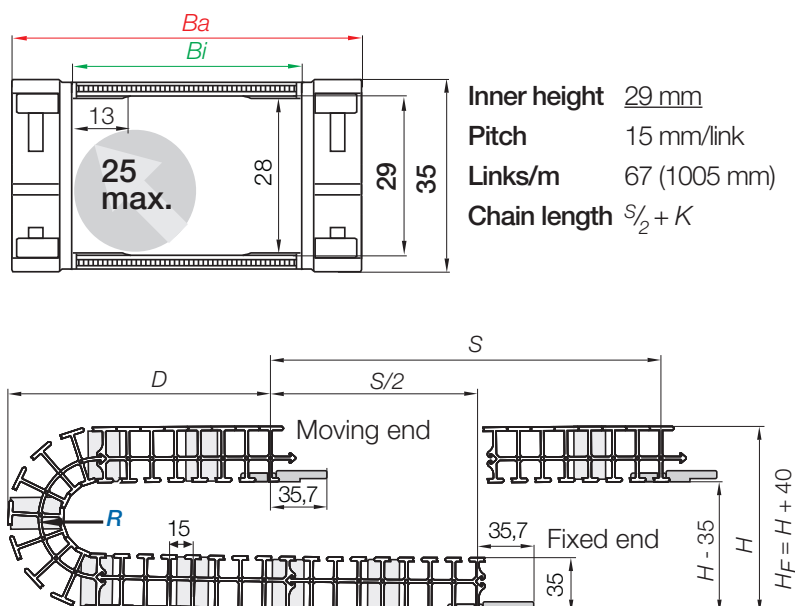
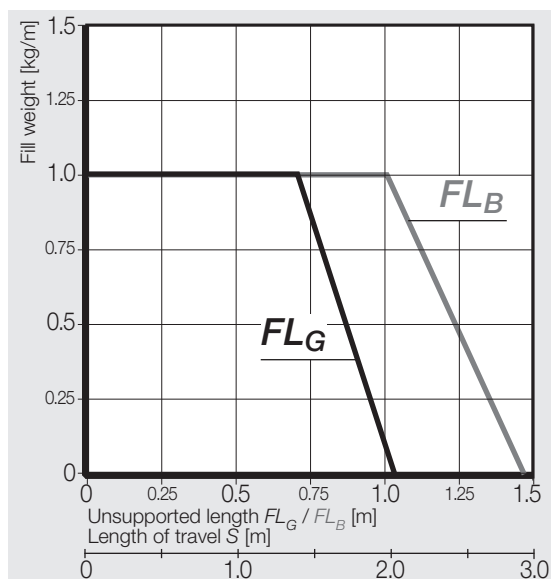


Series T3.29 | 3-piece, T-shaped band e-chains®

e-chain® zip-open along outer radius	<i>Bi</i> [mm]	<i>Ba</i> [mm]	<i>R</i> Bending radii [mm]	Weight [kg/m]
T3.29. 030 . <i>R</i> .0	30	55	038	≈ 0,40
T3.29. 040 . <i>R</i> .0	40	65	038	≈ 0,42
T3.29. 050 . <i>R</i> .0	50	75	038	≈ 0,44
T3.29. 060 . <i>R</i> .0	60	85	038	≈ 0,46
T3.29. 070 . <i>R</i> .0	70	95	038	≈ 0,48
T3.29. 080 . <i>R</i> .0	80	105	038	≈ 0,50
T3.29. 090 . <i>R</i> .0	90	115	038	≈ 0,51
T3.29. 100 . <i>R</i> .0	100	125	038	≈ 0,53
T3.29. 110 . <i>R</i> .0	110	135	038	≈ 0,55
T3.29. 120 . <i>R</i> .0	120	145	038	≈ 0,57
T3.29. 140 . <i>R</i> .0	140	165	038	≈ 0,59

Supplement Part No. with required radius (*R*). Example: T3.29.100.038.0

Dimensions

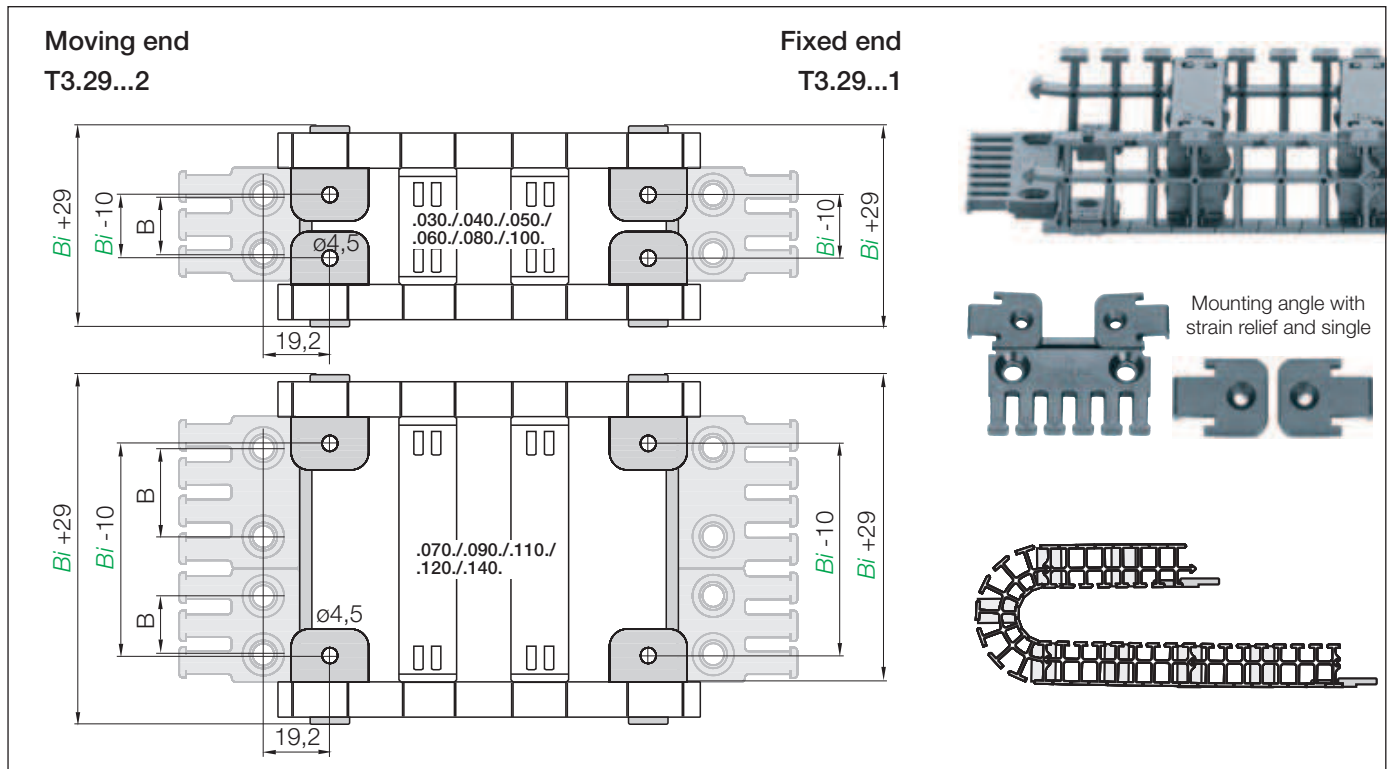


<i>R</i> (min.)	038
<i>H</i> (min.)	216
<i>D</i>	111
<i>K</i>	210

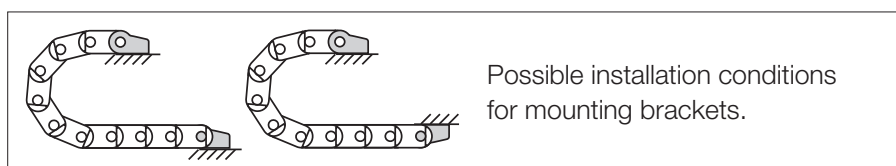
The required clearance height: $H_F = H + 40$ mm (with 1,0 kg/m fill weight)



Plastic fastener | Mounting angle



For width index	Part No. full set with tiewrap plate	Part No. full set without tiewrap plate	Bi [mm]	Dim. B [mm]	Number of teeth
030. ▶	T3.29.030.12PZ	T3.29.030.12	30	15	3
040. ▶	T3.29.040.12PZ	T3.29.040.12	40	20	4
050. ▶	T3.29.050.12PZ	T3.29.050.12	50	30	5
060. ▶	T3.29.060.12PZ	T3.29.060.12	60	40	6
070. ▶	T3.29.070.12PZ	T3.29.070.12	70	15+20	7
080. ▶	T3.29.080.12PZ	T3.29.080.12	80	60	8
090. ▶	T3.29.090.12PZ	T3.29.090.12	90	20+30	9
100. ▶	T3.29.100.12PZ	T3.29.100.12	100	80	10
110. ▶	T3.29.110.12PZ	T3.29.110.12	110	30+40	11
120. ▶	T3.29.120.12PZ	T3.29.120.12	120	40+40	12
140. ▶	T3.29.140.12PZ	T3.29.140.12	140	60+40	14



Part No. structure

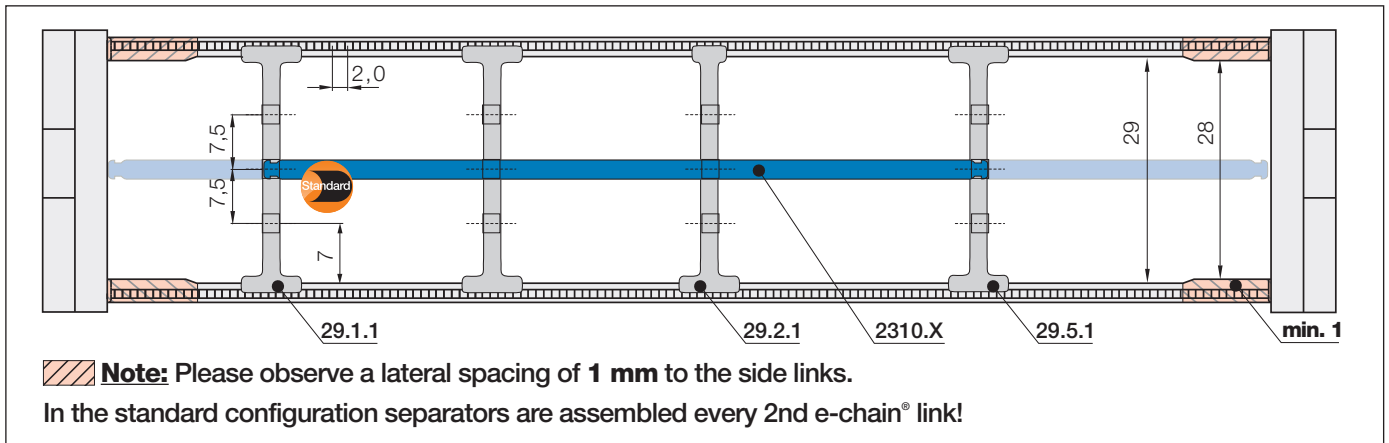
T3.29.100.12



 **Strain relief** e.g. clamps, tiewrap plates, nuggets and plug-in clips are available from stock. The complete chainfix range with order options ▶ from page 656

T3 | Series T3.29 | Accessories

Interior separation | New generation



Standard separator, wide base for e-chains®
 unassembled **29.1**
 assembled **29.1.1**

Standard - for all applications

Separator with a wide base for maximum locking strength and safe standing in e-chains®.

Separator, narrow head
 unassembled **29.2**
 assembled **29.2.1**

For even faster installation

Firm hold to one side with a wide base, narrow on opposed side for easy cable assembly (slight grip).

Notch separator for notch crossbar
 unassembled **29.5**
 assembled **29.5.1**

Locks safely in 2 mm increments

Notch separator for exact positioning in e-chains®. Recommended for side-mounted applications.

Full-width shelf, lockable
 unassembled **2300.X**
 assembled **2310.X**

Horizontal separation

Full-width shelf locks safely into separators on both ends, fixed width possible. Separators can be moved freely over the shelf in horizontal direction. Can be arranged at 3 different heights.

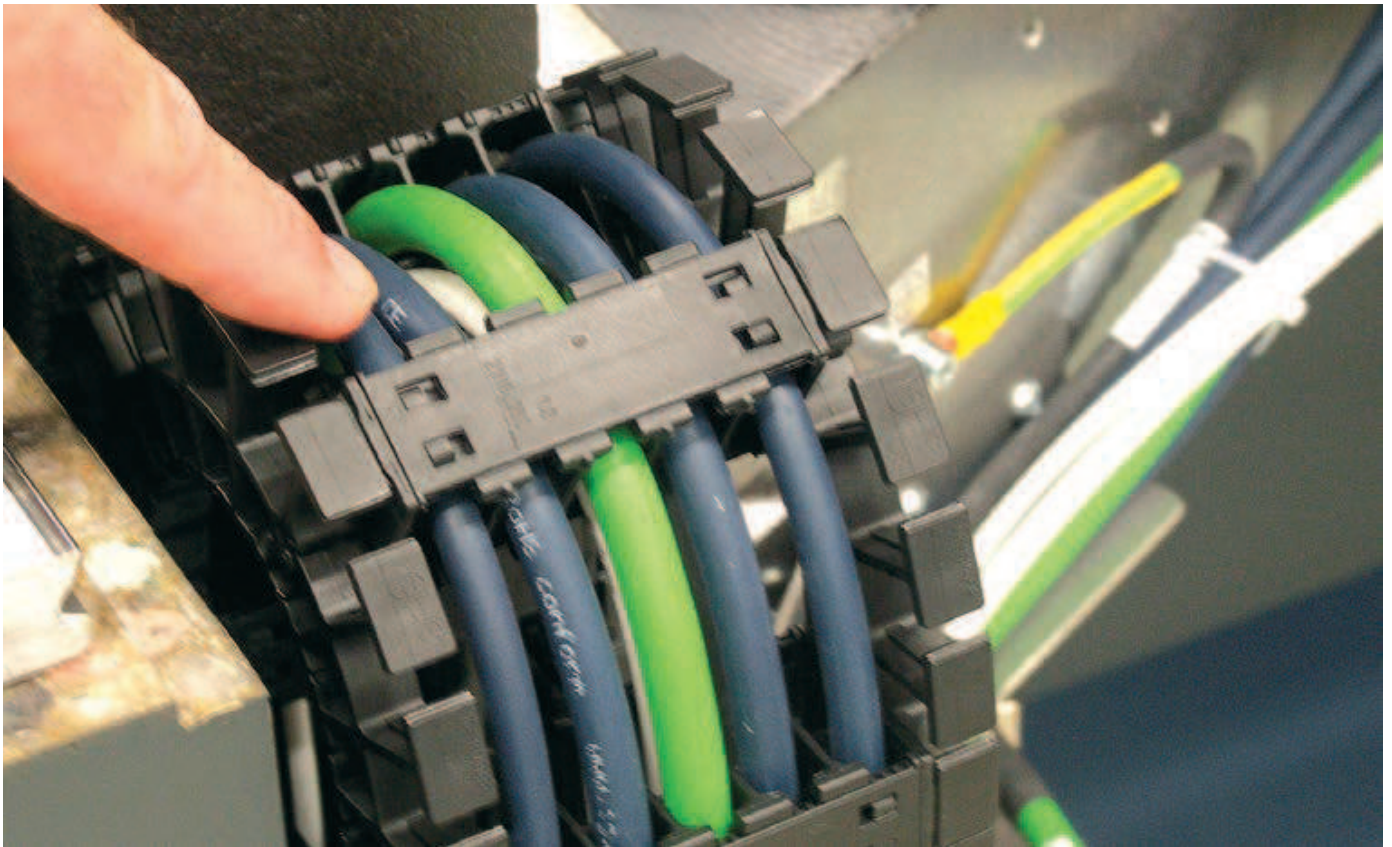


Lockable full-width shelves

Width X [mm]	unassembled	assembled	Width X [mm]	unassembled	assembled	Width X [mm]	unassembled	assembled
015	2300.015	2310.015	060	2300.060	2310.060	087	2300.087	2310.087
025	2300.025	2310.025	062	2300.062	2310.062	090	2300.090	2310.090
030	2300.030	2310.030	065	2300.065	2310.065	100	2300.100	2310.100
038	2300.038	2310.038	070	2300.070	2310.070	103	2300.103	2310.103
040	2300.040	2310.040	075	2300.075	2310.075	110	2300.110	2310.110
050	2300.050	2310.050	077	2300.077	2310.077	120	2300.120	2310.120
057	2300.057	2310.057	080	2300.080	2310.080	125	2300.125	2310.125

Separator with integrated strain relief

Strain relief separator Part No. E6.29.02.Z can be integrated into the mounting bracket and can be placed there at any point of the e-chain®. It combines strain relief and interior separation ● For the use in the first or last e-chain® link ● Easy to assemble without any screws. **More information ► from page 676**



Perfect match. Cleanroom-suitable igus® chainflex® cables are safely guided in the T3 e-chain®. 847 of all chainflex® cables are certified according to IPA ISO Class 1 or Class 2. chainflex® cables with tested outer jacket material are available from stock.