

e-chains® | E4.64L | Crossbars every link (openable along inner and outer radius, from both sides)

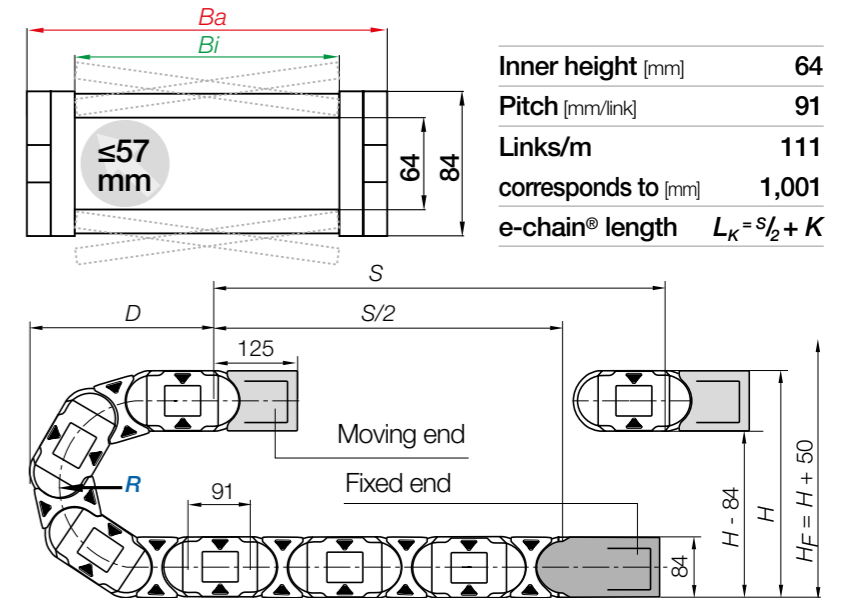
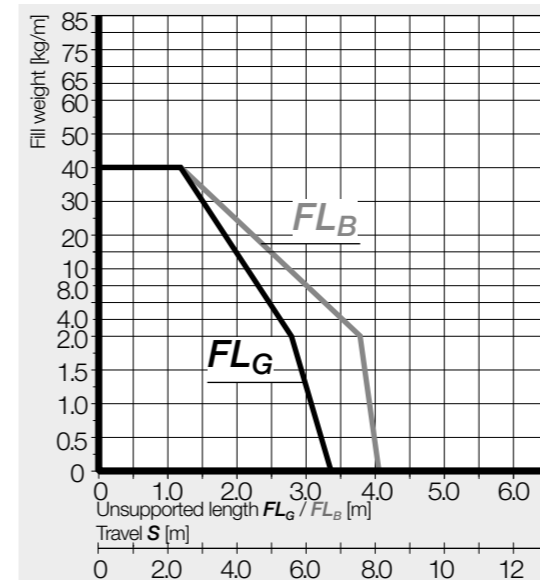
Part No. e-chains®	Bi [mm]	Ba [mm]	E4.64L [kg/m]	Part No. e-chains®	Bi [mm]	Ba [mm]	E4.64L [kg/m]
E4.64L.050.R.0*	50	76	≈ 2.37	E4.64L.237.R.0*	237	263	≈ 3.12
E4.64L.062.R.0*	62	88	≈ 2.41	E4.64L.250.R.0*	250	276	≈ 3.18
E4.64L.075.R.0	75	101	≈ 2.47	E4.64L.262.R.0*	262	288	≈ 3.22
E4.64L.087.R.0	87	113	≈ 2.54	E4.64L.275.R.0*	275	301	≈ 3.28
E4.64L.100.R.0	100	126	≈ 2.57	E4.64L.287.R.0*	287	313	≈ 3.33
E4.64L.112.R.0	112	138	≈ 2.63	E4.64L.300.R.0	300	326	≈ 3.38
E4.64L.125.R.0	125	151	≈ 2.67	E4.64L.312.R.0*	312	338	≈ 3.43
E4.64L.137.R.0*	137	163	≈ 2.72	E4.64L.325.R.0	325	351	≈ 3.48
E4.64L.150.R.0	150	176	≈ 2.77	E4.64L.337.R.0*	337	363	≈ 3.54
E4.64L.162.R.0*	162	188	≈ 2.83	E4.64L.350.R.0	350	376	≈ 3.58
E4.64L.175.R.0	175	201	≈ 2.87	E4.64L.362.R.0*	362	388	≈ 3.63
E4.64L.187.R.0	187	213	≈ 2.93	E4.64L.375.R.0*	375	401	≈ 3.68
E4.64L.200.R.0	200	226	≈ 2.97	E4.64L.387.R.0*	387	413	≈ 3.73
E4.64L.212.R.0	212	238	≈ 3.03	E4.64L.400.R.0*	400	426	≈ 3.78
E4.64L.225.R.0	225	251	≈ 3.08				

*Width available upon request. Delivery time upon request.

Available bend radii

R [mm] | 100 | 125 | 150 | 175 | 200 | 250 | 300 | 350 | 400 |

Complete Part No. with required radius (R). Example: E4.64L.150.150.0 = crossbars every link

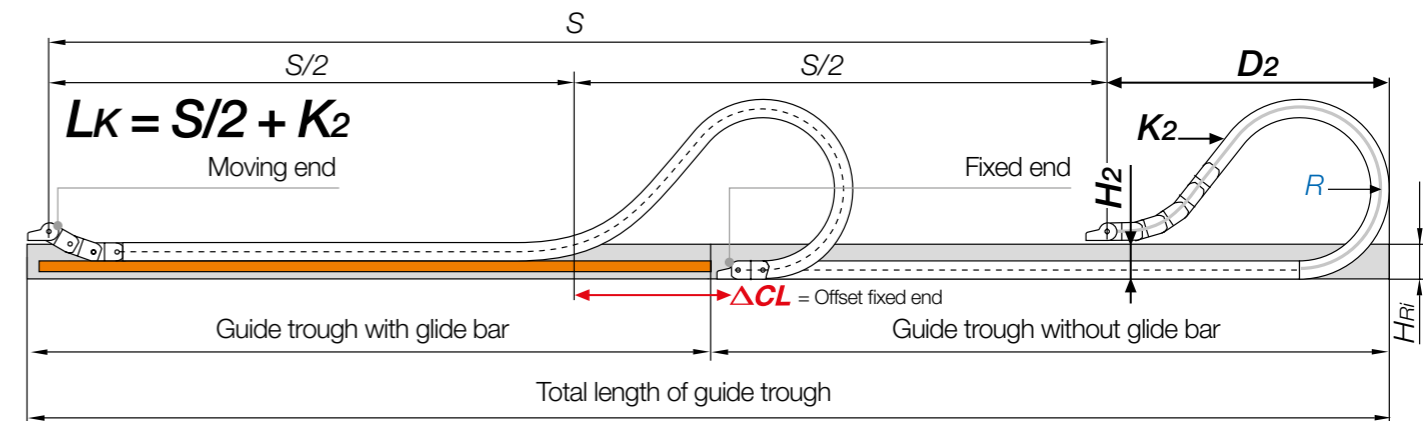


Inner height [mm]	64
Pitch [mm/link]	91
Links/m	111
corresponds to [mm]	1,001
e-chain® length $L_K = S/2 + K$	

R	100	125	150	175	200	250	300	350	400
H	284	334	384	434	484	584	684	784	884
D	279	304	329	354	379	429	479	529	579
K	500	575	655	735	815	970	1,125	1,285	1,440

The required clearance height: $H_F = H + 50\text{mm}$ (with 2.0kg/m fill weight)

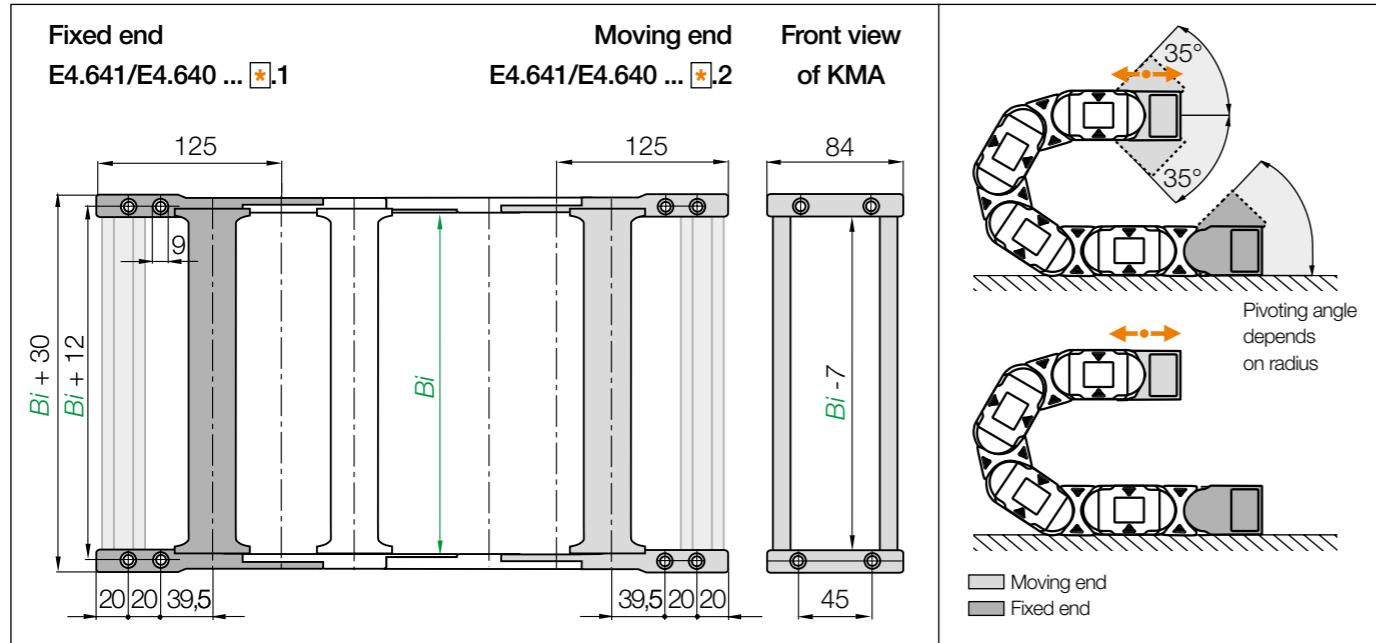
Gliding applications | For long travels, upon request



Note: We recommend the project planning of such a system to be carried out by igus®. In case of travels between 5 and 10m we recommend an e-chain® with a longer unsupported length.

R	100	125	150	175	200	250	300	350	400
H ₂	**	180	180	180	180	180	-	-	-
D ₂	**	505	580	705	830	1,080	-	-	-
K ₂	**	819	910	1,183	1,365	1,729	-	-	-
ΔCL	**	**	**	**	**	**	-	-	-

**Values upon request

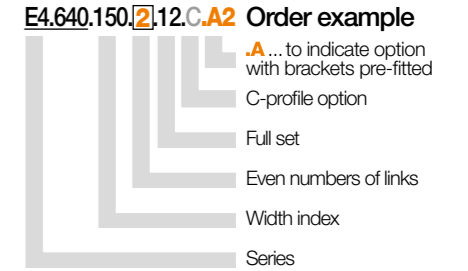
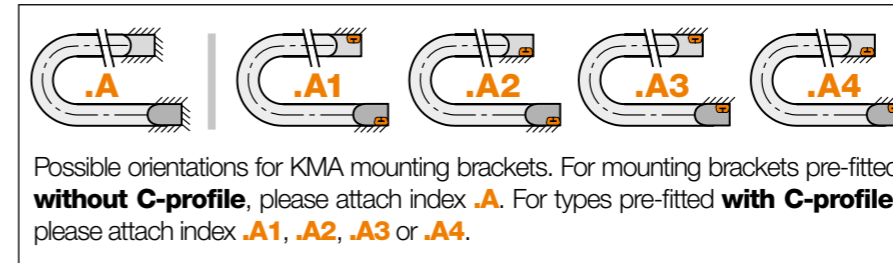


KMA pivoting | Recommended for unsupported and gliding applications
KMA locking | Recommended for vertical hanging and standing applications

Width index	Part No. full set KMA pivoting	Part No. full set KMA locking	Bi [mm]	Width index	Part No. full set KMA pivoting	Part No. full set KMA locking	Bi [mm]
050.	E4.640.050.12.C*	E4.641.050.12.C*	50	237.	E4.640.237.12.C*	E4.641.237.12.C*	237
062.	E4.640.062.12.C*	E4.641.062.12.C*	62	250.	E4.640.250.12.C*	E4.641.250.12.C*	250
075.	E4.640.075.12.C	E4.641.075.12.C	75	262.	E4.640.262.12.C*	E4.641.262.12.C*	262
087.	E4.640.087.12.C	E4.641.087.12.C	87	275.	E4.640.275.12.C*	E4.641.275.12.C*	275
100.	E4.640.100.12.C	E4.641.100.12.C	100	287.	E4.640.287.12.C*	E4.641.287.12.C*	287
112.	E4.640.112.12.C	E4.641.112.12.C	112	300.	E4.640.300.12.C	E4.641.300.12.C	300
125.	E4.640.125.12.C	E4.641.125.12.C	125	312.	E4.640.312.12.C*	E4.641.312.12.C*	312
137.	E4.640.137.12.C*	E4.641.137.12.C*	137	325.	E4.640.325.12.C	E4.641.325.12.C	325
150.	E4.640.150.12.C	E4.641.150.12.C	150	337.	E4.640.337.12.C*	E4.641.337.12.C*	337
162.	E4.640.162.12.C*	E4.641.162.12.C*	162	350.	E4.640.350.12.C	E4.641.350.12.C	350
175.	E4.640.175.12.C	E4.641.175.12.C	175	362.	E4.640.362.12.C*	E4.641.362.12.C*	362
187.	E4.640.187.12.C	E4.641.187.12.C	187	375.	E4.640.375.12.C*	E4.641.375.12.C*	375
200.	E4.640.200.12.C	E4.641.200.12.C	200	387.	E4.640.387.12.C*	E4.641.387.12.C*	387
212.	E4.640.212.12.C	E4.641.212.12.C	212	400.	E4.640.400.12.C*	E4.641.400.12.C*	400
225.	E4.640.225.12.C	E4.641.225.12.C	225				

(KMA = polymer metal mounting bracket) For the C-profile option please add index .C *Width available upon request. Delivery time upon request.

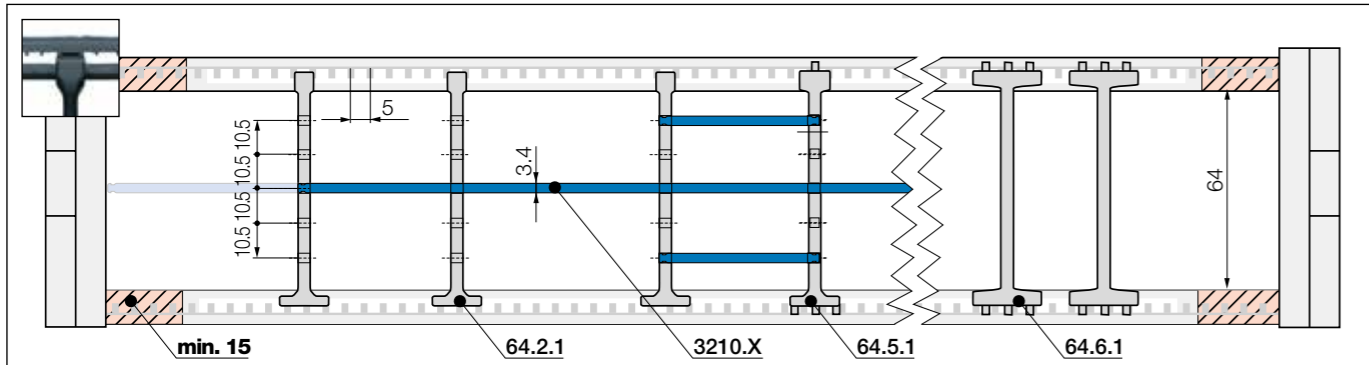
Note: The e-chains® may end with either an inner or an outer side link. An outer side link should always be the first e-chain® link at the moving end. Please specify the index 1 (for odd) or 2 (for even) depending on an even or odd number of links required.



Strain relief e.g. clamps, tiwrap plates, nuggets and clips are available from stock. The complete chainfix range with ordering options ► From page 1392



R4.1L e-tubes to guide motor, encoder and sensor cables on a bending machine



Note: Please be aware of the minimum lateral gap to the side links! **e-chain®: 15mm**
As standard separators are fitted every 2nd e-chain® link!

Separator, narrow top
unassembled **64.2**
assembled **64.2.1**

For even faster installation
Wide on one side for high holding force, narrow on opposite side for easy cable fitting.

Notch separator for notched crossbar
unassembled **64.5**
assembled **64.5.1**

Locks securely in preset increments
Notch separator for exact positioning.
Recommended for side-mounted applications.

Shelf, lockable
unassembled **3200.X**
assembled **3210.X**

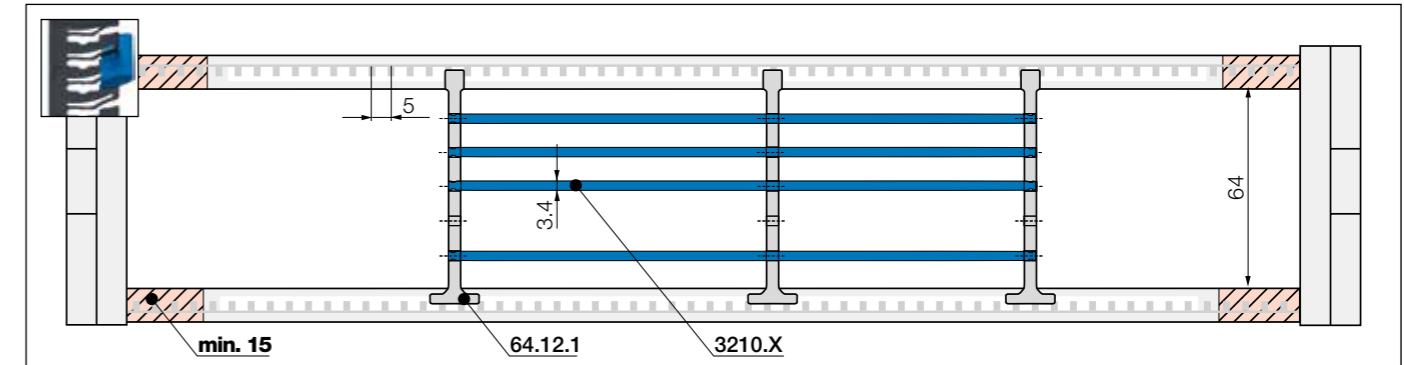
Horizontal separation
Full-width shelf locks securely into separators at both ends, giving a fixed width. Can be used as full-width or partial shelf.

Shelves Width = X [mm]	X [mm]	unassembled		assembled		X [mm]	unassembled		assembled	
		part no.	part no.	part no.	part no.		part no.	part no.		
	050	3200.050	3210.050	125	3200.125	3210.125	225	3200.225	3210.225	
	075	3200.075	3210.075	150	3200.150	3210.150	250	3200.250	3210.250	
	100	3200.100	3210.100	175	3200.175	3210.175				
	115	3200.115	3210.115	200	3200.200	3210.200				

More interior separation options

Notch locking separator, lockable for e-chains®
unassembled **64.6**
assembled **64.6.1**

Notch locking separator for increased holding force
Notch locking separators offer higher crossbar opening forces for high humidity and/or large hydraulic hoses. They can be positioned precisely and then locked in position.



Note: Please be aware of the minimum lateral gap to the side links! **e-tube: 8mm | e-chain®: 8mm**
As standard separators are fitted every 2nd e-chain® link!

Lean separator¹⁾
unassembled **64.12**
assembled **64.12.1**

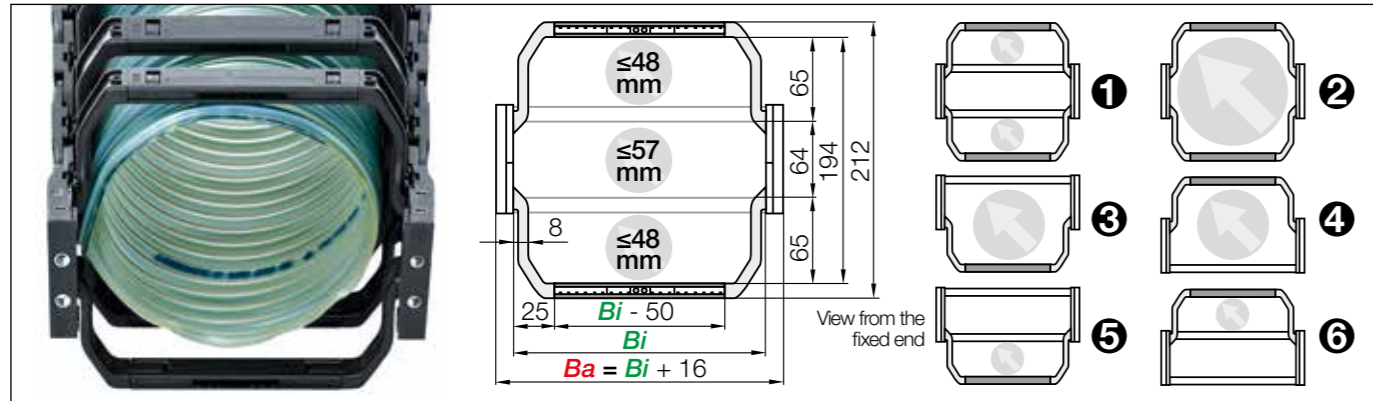
Lean separators¹⁾
For quick fitting of shelves in several layers.
1) Note: Please combine maximum 4 lean separators with one shelf. Not suitable for side-mounted e-chains®!

With the lean separator you can quickly insert several layers of cables into the e-chain® and reduce the installation time by up to 50%²⁾.

²⁾ Lean interior separation vs. Standard separator - measured on a 4m long e-chain® fitted with 12 cables in the igus® readychain® factory



Low weight combined with high strength for long unsupported lengths: E4.1L



Extender crossbars with flexible width | Safe guiding for large hoses

- For guiding and protecting large hoses
- With mounting for noise dampers
- Cable-friendly design, high crossbar holding force
- The openable extender crossbars can be fitted in different ways and combinations
- Optionally openable along the inner or outer radius

Versions

e-chain® with extender crossbar

	Hose Ø ≤ [mm]	Part No. e-chain® with extender crossbar
❶ Extender crossbar and standard crossbar alternating along the inner and outer radius ¹⁾	48	E4.64L.XXXHB65.R.0
❷ Extender crossbar on both sides along the inner and outer radius ²⁾	170	E4.64L.XXXB65.R.0
❸ Extender crossbar along the outer radius ³⁾	115	E4.64L.XXXBE65.R.0
❹ Extender crossbar along the inner radius ²⁾	115	E4.64L.XXXBZ65.R.0
❺ Extender crossbar and standard crossbar alternating along the outer radius ³⁾	48	E4.64L.XXXHBE65.R.0
❻ Extender crossbar and standard crossbar alternating along inner radius ¹⁾	48	E4.64L.XXXHBZ65.R.0

1) Minimum bend radius: R 125 2) Minimum bend radius: R 150 3) Minimum bend radius: R 100 *Width available upon request. Delivery time upon request

Bi [mm] Available inner widths

| 100 | 112 | 125 | 137* | 150 | 162* | 175 | 187 | 200 | 212 | 225 | 237* | 250* | 262* | 275* | 287* | 300 | 312* | 325 | 337* | 350 | 362* | 375* | 387* | 400*

Complete Part No. with the width index XXX of Bi and the minimum bend radius (R). Example:

E4.64L.100B65.150.0 = Bi 100 / extender crossbar on both sides along inner and outer radius / bend radius (R) 150



The E4.1L can be fitted with openable extender crossbars, which increase the size of the interior of the e-chain®. Crossbars can be fitted in various ways: from one or both sides, alternating with standard crossbars and or any combination

Steel support tray for support of the lower run

- Simple one-piece support trays for the lower run
 - To your requirements and specification
 - 4 options available
- More information ► From page 1356



The sharp S with the centrally arranged guided link system - in order to be able to implement the telescoping arm projecting from both sides, two igus® E4.1L series e-chains® were combined together offset by 180 degrees