

For low and medium loads, light and cost-effective

New in this catalog



...E4.31L
crossbars every link

...R4.31L
fully enclosed

e-chains® | E4.31L crossbars every link (pivotable on both sides, snap-open along inner and outer radius)
e-tubes | R4.31L fully enclosed (pivotable on both sides, snap-open along inner and outer radius)

Part No. e-chains®	Part No. e-tubes	Bi [mm]	Ba [mm]	E4.31L [kg/m]	R4.31L [kg/m]
E4.31L.040.R.0	-	40	54	≈ 0,70	-
E4.31L.050.R.0	R4.31L.050.R.0	50	64	≈ 0,74	≈ 0,87
E4.31L.062.R.0**	-	62,5	76,5	≈ 0,76	-
E4.31L.075.R.0	R4.31L.075.R.0**	75	89	≈ 0,78	≈ 1,01
E4.31L.087.R.0**	-	87,5	101,5	≈ 0,83	-
E4.31L.100.R.0**	R4.31L.100.R.0**	100	114	≈ 0,88	≈ 1,10
E4.31L.112.R.0**	-	112,5	126,5	≈ 0,93	-
E4.31L.125.R.0	R4.31L.125.R.0**	125	139	≈ 0,96	≈ 1,28
E4.31L.137.R.0**	-	137,5	151,5	≈ 0,98	-
E4.31L.150.R.0	R4.31L.150.R.0**	150	164	≈ 1,00	≈ 1,40
E4.31L.162.R.0**	-	162,5	176,5	≈ 1,04	-

Part No. e-chains®	Part No. e-tubes	Bi [mm]	Ba [mm]	E4.31L [kg/m]	R4.31L [kg/m]
E4.31L.175.R.0	R4.31L.175.R.0**	175	189	≈ 1,13	≈ 1,55
E4.31L.187.R.0**	-	187,5	201,5	≈ 1,17	-
E4.31L.200.R.0**	R4.31L.200.R.0**	200	214	≈ 1,17	≈ 1,68
E4.31L.212.R.0**	-	212,5	226,5	≈ 1,26	-
E4.31L.225.R.0**	R4.31L.225.R.0**	225	239	≈ 1,35	≈ 1,82
E4.31L.237.R.0**	-	237,5	251,5	≈ 1,39	-
E4.31L.250.R.0**	R4.31L.250.R.0**	250	264	≈ 1,44	≈ 1,95
E4.31L.262.R.0**	-	262,5	276,5	≈ 1,52	-
E4.31L.275.R.0**	R4.31L.275.R.0**	275	289	≈ 1,61	≈ 2,08
E4.31L.287.R.0**	-	287,5	301,5	≈ 1,70	-
E4.31L.300.R.0**	R4.31L.300.R.0**	300	314	≈ 1,78	≈ 2,21

**Width available upon request, please consult igus® for delivery time!

*Radius available upon request, please consult igus® for delivery time! 1) Radius not available for e-tubes

Available bending radii R [mm] 055¹⁾ | 063^{*1)} | 075 | 100* | 125 | 150 | 175 | 200 | 250*

Supplement Part No. with required radius (R). Examples:

E4.31L.05.075.0 = e-chain® with inner width Bi 50 mm, radius R 075 mm, color black

R4.31L.05.075.0 = e-tube fully enclosed with inner width Bi 50 mm, radius R 075 mm, color black

Optional: Support tray tool kit.

For support of the lower run.

Simple one-piece support trays according to your requirements and specification.

The complete range with order options ▶ from page 740



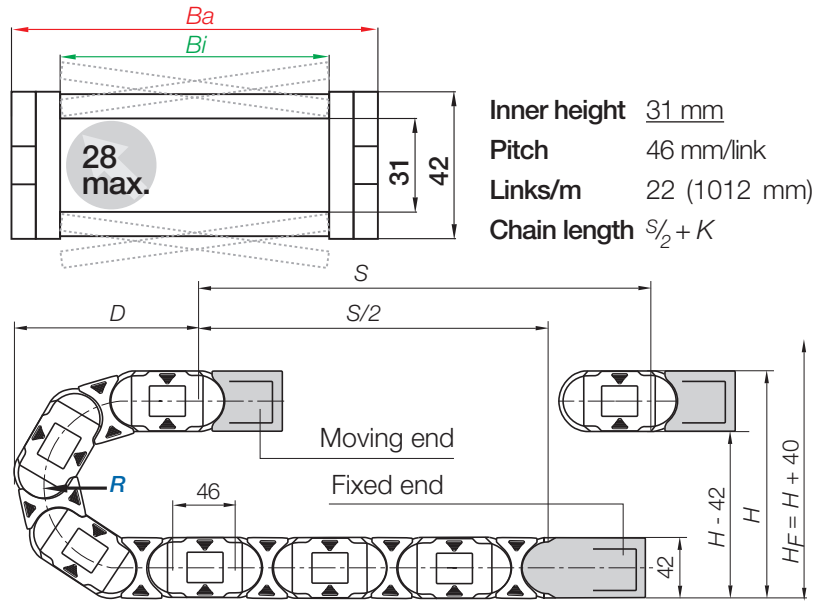
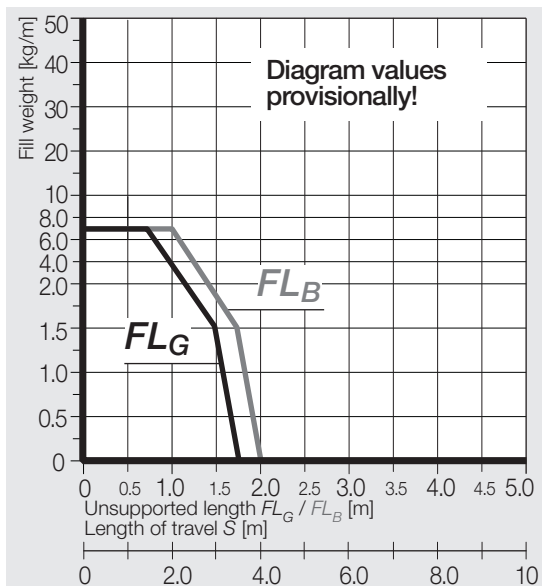


▶ 656



▶ 702

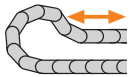
Unsupported applications | Short travels



R	055 ¹⁾	063 ^{* 1)}	075	100 [*]	125	150	175	200	250 [*]
H	152	168	192	242	292	342	392	442	542
D	145	153	165	190	215	240	265	290	340
K	265	290	330	410	485	565	645	725	880

The required clearance height: $H_F = H + 40$ mm (with 1,0 kg/m fill weight)

1) Radius not available for e-tubes *Radius available upon request, please consult igus® for delivery time!

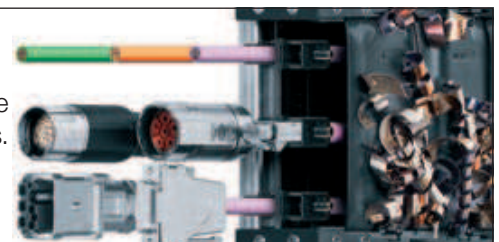


Gliding applications for long travels are available upon request, please consult igus®.

Hot Chips up to 850°C

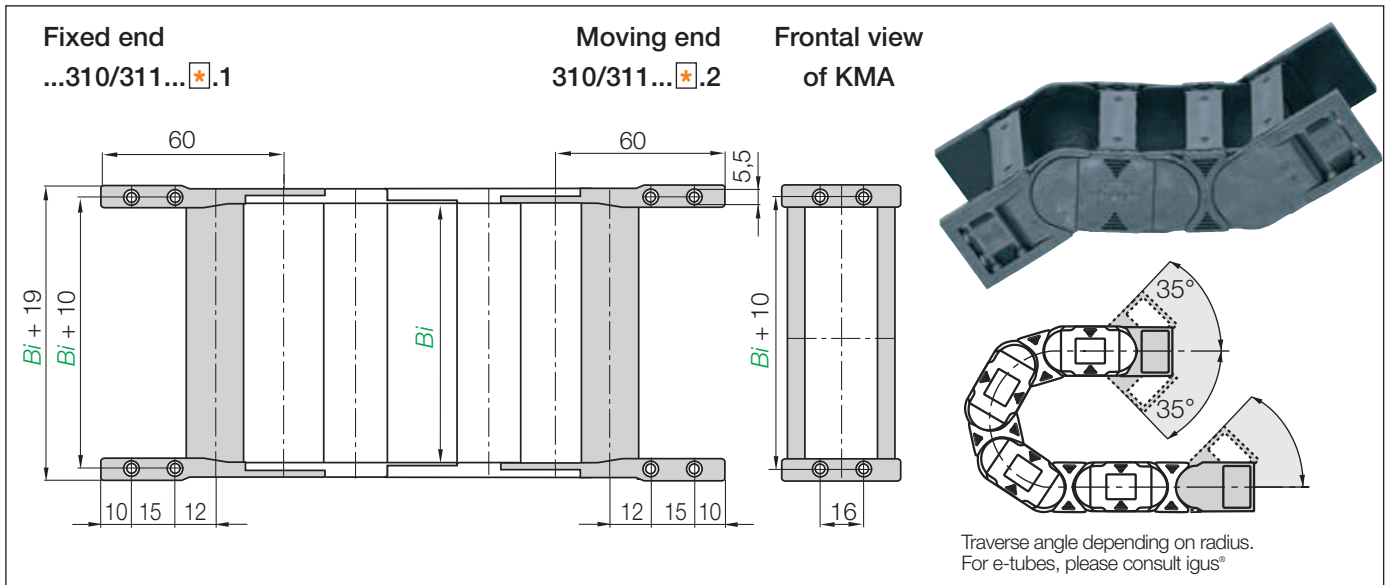
Serie E4.1 light as closed e-tube R4.1 light, that repel hot chips, up to 850° C. Some applications, depending on amount and size of the chips, left burn- and melt marks. That is no longer the case with the igus® "igumid HT" material.

More information ▶ www.igus.eu/HT



E4.1 light | Series E4.31L·R4.31L | Accessories

KMA mounting brackets | Attachment on all sides | pivoting



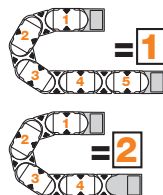
KMA pivoting | Recommended for unsupported and gliding¹⁾ applications | Standard KMA locking | Recommended for vertical hanging and standing applications

Width Index	Standard	Part No. full set KMA pivoting:	Part No. full set KMA locking:	Bi [mm]	Width Index	Standard	Part No. full set KMA pivoting:	Part No. full set KMA locking:	Bi [mm]
040.	▶ E4. -	310.040. 1 .12.C	E4. - 311.040. 2 .12.C	40	175.	▶ E4. R4.**	310.175. 1 .12.C	E4. R4.** 311.175. 2 .12.C	175
050.	▶ E4. R4.	310.050. 1 .12.C	E4. R4. 311.050. 2 .12.C	50	187.	▶ E4.** -	310.187. 1 .12.C	E4.** - 311.187. 2 .12.C	187,5
062.	▶ E4.** -	310.062. 1 .12.C	E4.** - 311.062. 2 .12.C	62,5	200.	▶ E4.** R4.**	310.200. 1 .12.C	E4.** R4.** 311.200. 2 .12.C	200
075.	▶ E4. R4.**	310.075. 1 .12.C	E4. R4.** 311.075. 2 .12.C	75	212.	▶ E4.** -	310.212. 1 .12.C	E4.** - 311.212. 2 .12.C	212,5
087.	▶ E4.** -	310.087. 1 .12.C	E4.** - 311.087. 2 .12.C	87,5	225.	▶ E4.** R4.**	310.225. 1 .12.C	E4.** R4.** 311.225. 2 .12.C	225
100.	▶ E4.** R4.**	310.100. 1 .12.C	E4.** R4.** 311.100. 2 .12.C	100	237.	▶ E4.** -	310.237. 1 .12.C	E4.** - 311.237. 2 .12.C	237,5
112.	▶ E4.** -	310.112. 1 .12.C	E4.** - 311.112. 2 .12.C	112,5	250.	▶ E4.** R4.**	310.250. 1 .12.C	E4.** R4.** 311.250. 2 .12.C	250
125.	▶ E4. R4.**	310.125. 1 .12.C	E4. R4.** 311.125. 2 .12.C	125	262.	▶ E4.** -	310.262. 1 .12.C	E4.** - 311.262. 2 .12.C	262,5
137.	▶ E4.** -	310.137. 1 .12.C	E4.** - 311.137. 2 .12.C	137,5	275.	▶ E4.** R4.**	310.275. 1 .12.C	E4.** R4.** 311.275. 2 .12.C	275
150.	▶ E4. R4.**	310.150. 1 .12.C	E4. R4.** 311.150. 2 .12.C	150	287.	▶ E4.** -	310.287. 1 .12.C	E4.** - 311.287. 2 .12.C	287,5
162.	▶ E4.** -	310.162. 1 .12.C	E4.** - 311.162. 2 .12.C	162,5	300.	▶ E4.** R4.**	310.300. 1 .12.C	E4.** R4.** 311.300. 2 .12.C	300

(KMA = Polymer Metal Mounting Bracket) *Width available upon request, please consult igus® for delivery time!

1) Gliding applications for long travels are available upon request, please consult igus®.

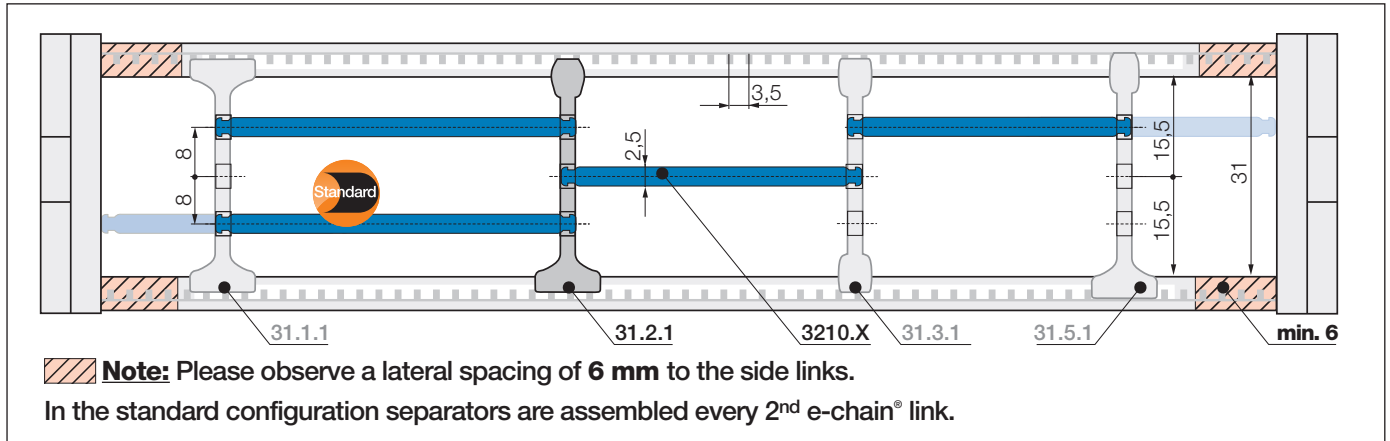
Note*: The E4.1 may end with either an inner or an outer side link. An outer side link always forms the first e-chain® link at the moving end. The Part No. depend on an even or odd numbers of links. Please insert: Index **1** (for odd) or **2** (for even). For the **preassembled** mode please add index **A**.



E4.310.100.2.12.C A Part No. structure

- A...must be indicated on preassembled configurations
- C-profile option
- Full set
- Even numbers of links
- Width index
- Series

Strain relief e.g. clamps, tiewrap plates, nuggets and plug-in clips are available from stock. The complete chainfix range with order options ▶ from page 656



		Standard separator, wide base unassembled 31.1* assembled 31.1.1*
		Separator, narrow head unassembled 31.2 assembled 31.2.1
		Separator, narrow base unassembled 31.3* assembled 31.3.1*
		Notch separator for notch crossbar unassembled 31.5* assembled 31.5.1*
		Full-width shelf, lockable unassembled 2300.X assembled 2310.X

Standard - for all applications

Separator with a wide base for maximum locking strength and safe standing in e-chains® and e-tubes.

*Available upon request, please consult igus® for delivery time!

For even faster installation

Firm hold to one side with a wide base, narrow on opposed side for easy cable assembly (slight grip).

For many thin cables

Separator with a narrow base for a large number of thin cables side by side. Saves space in e-chains®.

*Available upon request, please consult igus® for delivery time!

Locks safely in 3,5 mm increments

Notch separator for exact positioning in e-chains®. Recommended for side-mounted applications.

*Available upon request, please consult igus® for delivery time!

Horizontal separation

Shelf locks safely into separators on both ends, fixed width possible. Separators can be moved freely over the shelf in horizontal direction. Can be arranged at 3 different heights.

Lockable full-width shelves



Width X [mm]	unassembled	assembled	Width X [mm]	unassembled	assembled	Width X [mm]	unassembled	assembled
015	2300.015	2310.015	060	2300.060	2310.060	087	2300.87	2310.087
025	2300.025	2310.025	062	2300.062	2310.062	090	2300.90	2310.090
030	2300.030	2310.030	065	2300.065	2310.065	100	2300.100	2310.100
038	2300.038	2310.038	070	2300.070	2310.070	103	2300.103	2310.103
040	2300.040	2310.040	075	2300.075	2310.075	110	2300.110	2310.110
050	2300.050	2310.050	077	2300.077	2310.077	120	2300.120	2310.120
057	2300.057	2310.057	080	2300.080	2310.080	125	2300.125	2310.125