

...800  
crossbars every link

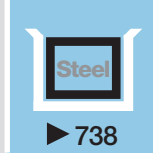
### e-chains® | Series 800 crossbars every link (crossbars removable along both radii)

Part No. e-chains®	<i>Bi</i> [mm]	<i>Ba</i> [mm]	800 [kg/m]	Part No. e-chains®	<i>Bi</i> [mm]	<i>Ba</i> [mm]	800 [kg/m]
800. 20. <i>R</i> .0	200	260	≈ 15,09	800. 40. <i>R</i> .0	400	460	≈ 16,74
800. 25. <i>R</i> .0	250	310	≈ 15,50	800. 45. <i>R</i> .0	450	510	≈ 16,88
800. 30. <i>R</i> .0	300	360	≈ 15,89	800. 50. <i>R</i> .0	500	560	≈ 17,23
800. 32. <i>R</i> .0	325	385	≈ 16,05	800. 55. <i>R</i> .0	550	610	≈ 17,63
800. 35. <i>R</i> .0	350	410	≈ 16,22	800. 60. <i>R</i> .0	600	660	≈ 18,19

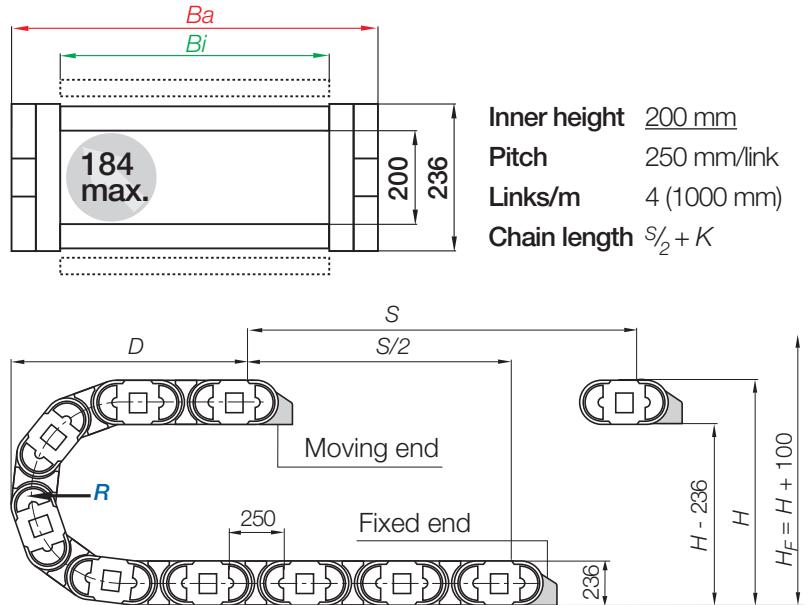
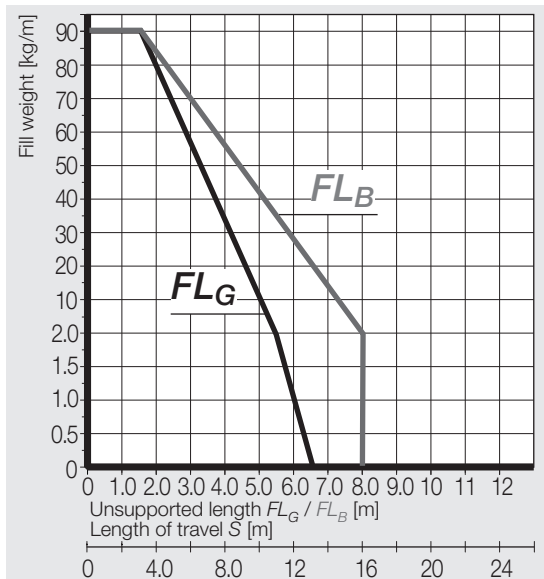
Available bending radii *R* [mm] 325 | 350 | 400 | 450 | 500 | 600 | 750 | 1000

Supplement Part No. with required radius (*R*). Example:

800.40.400.0 = e-chain® with **crossbars every link**, inner width *Bi* 450 mm, radius *R* 400 mm, color black



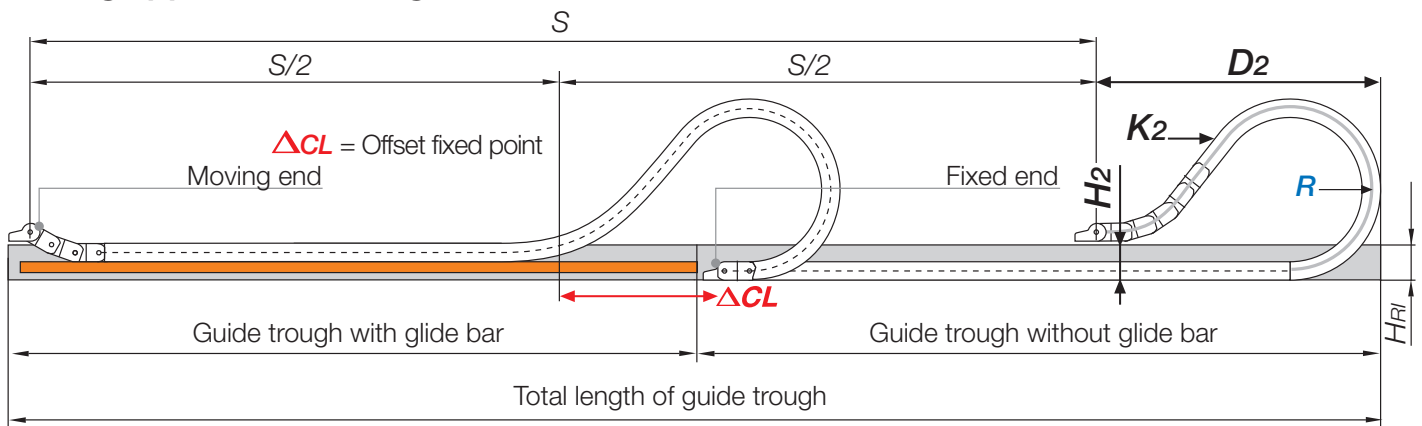
## Unsupported applications | Short travels



R	325	350	400	450	500	600	750	1000
H	886	936	1036	1136	1236	1436	1736	2236
D	818	843	893	943	993	1093	1243	1493
K	1525	1600	1760	1915	2075	2385	2860	3645

The required clearance height:  $H_F = H + 100$  mm (with 5,0 kg/m fill weight)

## Gliding applications | Long travels from 15 m to max. 450 m



**Note:** For long travel applications we recommend to realize the engineering of such a plant by our technicians.

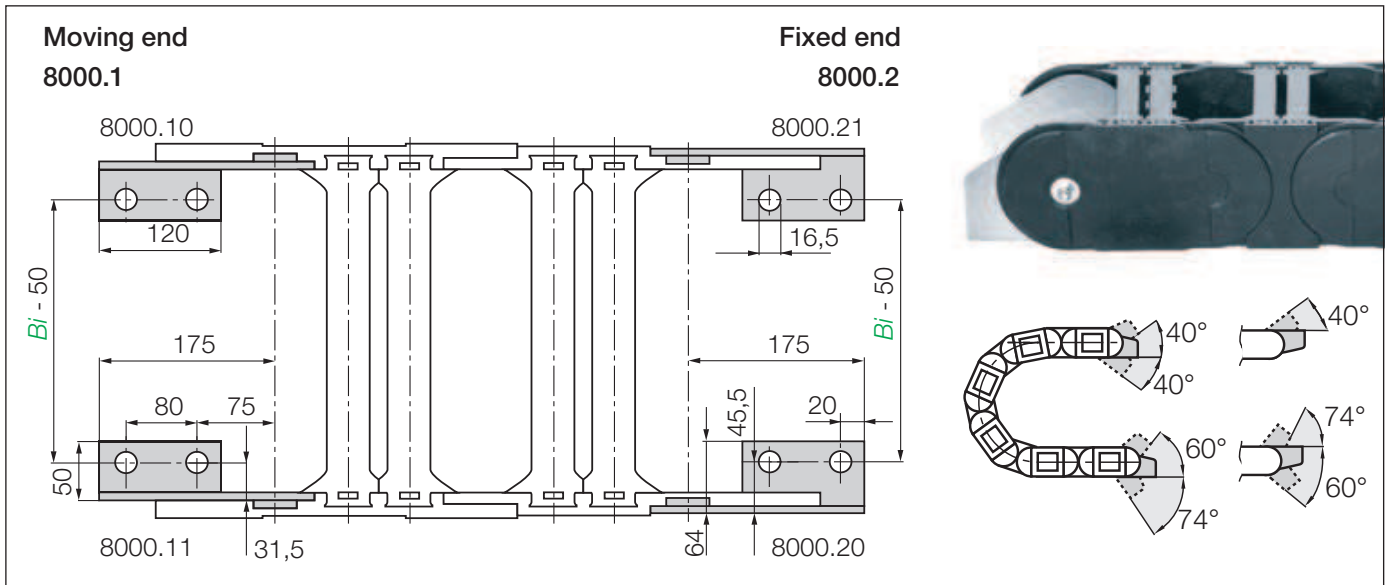
In case of travels between 12 and 15 m we recommend a longer unsupported length. Chain length  $S/2 + K_2$

R	325	350	400	450	500	600	750	1000
H <sub>2</sub>	580	580	580	580	580	580	580	580
D <sub>2</sub> +25	1030	1080	1380	1610	2000	2480	*	*
K <sub>2</sub>	2000	2000	2500	3000	3250	4000	*	*
ΔCL	250	300	550	750	1050	1400	*	*

\*Values upon request

# E4.1 | Series 800 | Accessories

## Steel mounting brackets | pivoting

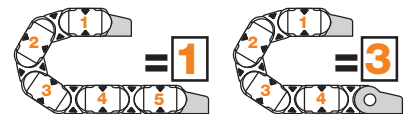


**Steel | Recommended for unsupported, gliding, vertical hanging, standing applications**

Part No.	Mounting bracket <u>pivoting</u>
8000. <b>1</b> .12.VS.E	Full set (both sides), ending with outer side link, <b>screwed</b> - Standard
8000. <b>3</b> .12.VS.E	Full set (both sides), beginning with outer side link (moving end), ending with inner side link (fixed end), <b>screwed</b> - Standard
8000. <b>1</b> .12.E	Full set (both sides), ending with outer side link, <b>not screwed</b> - Standard
8000. <b>3</b> .12.E	Full set (both sides), beginning with outer side link (moving end), ending with inner side link (fixed end), <b>not screwed</b> - Standard

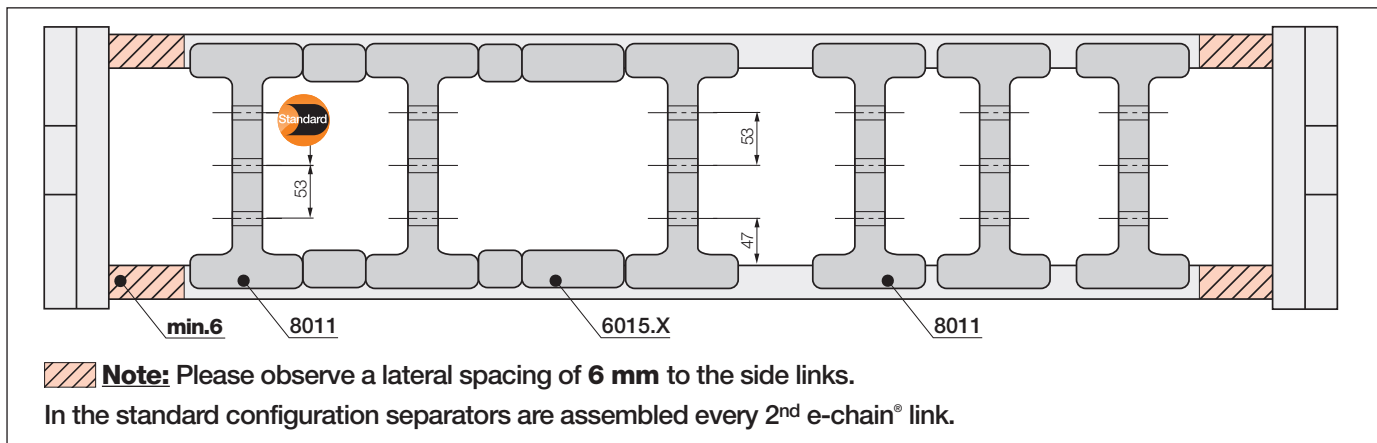
Stainless steel version available - please add index **.E** (Material: stainless steel 1.4301)

**Note:** Depending on the e-chain® length, the carrier will end with **1** outer or **3** inner side links. For the best appearance, make sure the e-chain® ends with **1** outer side link whenever possible. (with odd number of links)



**Strain relief** e.g. clamps, tiwrap plates, nuggets and plug-in clips are available from stock. The complete chainfix range with order options ► from page 656

## Interior separation



		<b>Separator for e-chains®</b> unassembled <b>8001</b> assembled <b>8011</b>
		<b>Spacer* for e-chains®</b> unassembled <b>6005.XX</b> assembled <b>6015.XX</b>

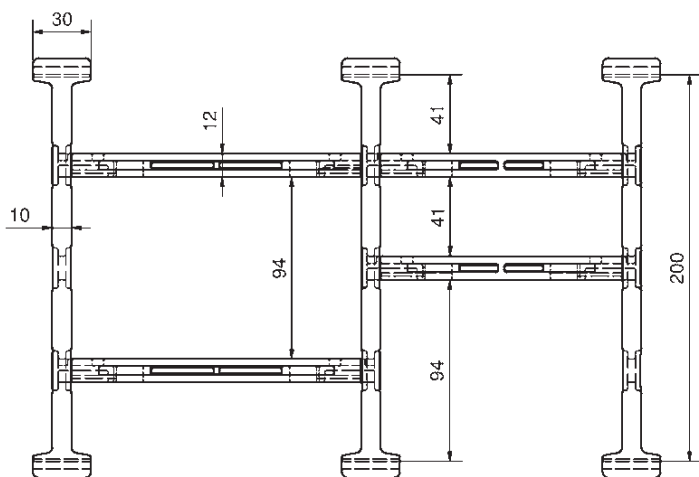
### Separator 8001

For a vertical subdivision. Offers safe stability due to its wide base design, also when used with thick cables or hoses.

### Spacer\* 6005.XX

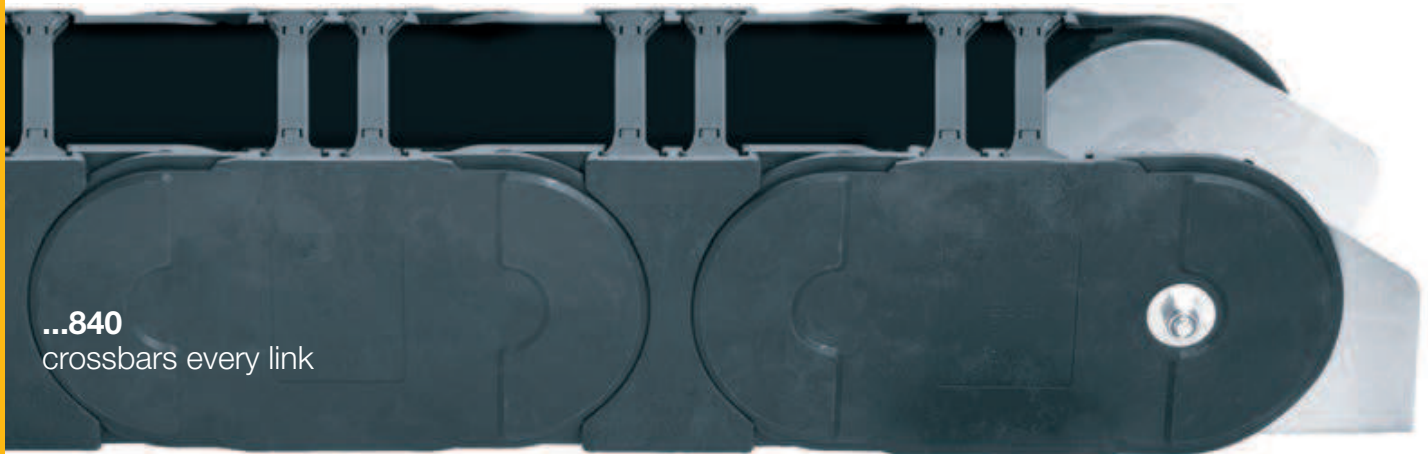
Separators can be fixed in position by spacers. The available interior height is reduced by 2 mm per spacer (4 mm when spacers are fitted on both sides). To avoid this, the parts can also be installed from the outside on the opening crossbar. (not for long travel applications). **XX = width of the spacer** (please choose between 10, 15, 20 mm).

## Modular E4 shelving system for Series 800



- Secure guide even for large cables ● Easy assembly
- Robust, also for large cable diameters ● Modular ● Widths from 50 - 600 mm

Part No. unassembled	Part No. assembled	Snap in tab	Part No. separator	Part No. crossbar	Width [mm]
8001H1	8011H1	① single-sided	③ 8001	④ 450.XX.A	50-600
8001H2	8011H2	② double-sided	③ 8001	④ 450.XX.A	50-600



...840  
crossbars every link

### e-chains® | Series 840 crossbars every link (crossbars removable along both radii)

Part No. e-chains®	<i>Bi</i> [mm]	<i>Ba</i> [mm]	840 [kg/m]	Part No. e-chains®	<i>Bi</i> [mm]	<i>Ba</i> [mm]	840 [kg/m]
840. 13. R.0	100	160	≈ 13,84	840. 36. R.0	325	385	≈ 15,09
840. 15. R.0	113	173	≈ 13,87	840. 37. R.0	338	398	≈ 15,11
840. 16. R.0	125	185	≈ 13,95	840. 38. R.0	350	410	≈ 15,15
840. 17. R.0	138	198	≈ 14,04	840. 40. R.0	363	423	≈ 15,34
840. 18. R.0	150	210	≈ 14,13	840. 41. R.0	375	435	≈ 15,39
840. 20. R.0	163	223	≈ 14,17	840. 42. R.0	388	448	≈ 15,50
840. 21. R.0	175	235	≈ 14,22	840. 43. R.0	400	460	≈ 15,57
840. 22. R.0	188	248	≈ 14,27	840. 45. R.0	413	473	≈ 15,63
840. 23. R.0	200	260	≈ 14,35	840. 46. R.0	425	485	≈ 15,69
840. 25. R.0	213	273	≈ 14,43	840. 47. R.0	438	498	≈ 15,72
840. 26. R.0	225	285	≈ 14,49	840. 48. R.0	450	510	≈ 15,80
840. 27. R.0	238	298	≈ 14,57	840. 50. R.0	463	523	≈ 15,87
840. 28. R.0	250	310	≈ 14,61	840. 51. R.0	475	535	≈ 15,91
840. 30. R.0	263	323	≈ 14,72	840. 52. R.0	488	548	≈ 15,93
840. 31. R.0	275	335	≈ 14,75	840. 53. R.0	500	560	≈ 16,00
840. 32. R.0	288	348	≈ 14,82	840. 55. R.0	513	573	≈ 16,31
840. 33. R.0	300	360	≈ 14,91	840. 60. R.0	563	623	≈ 16,47
840. 35. R.0	313	373	≈ 15,06				

Available bending radii *R* [mm] 325 | 350 | 400 | 450 | 500 | 600 | 750 | 1000

Supplement Part No. with required radius (*R*). Example:

840.40.400.0 = e-chain® with crossbars every link, inner width *Bi* 363 mm, radius *R* 400 mm, color black

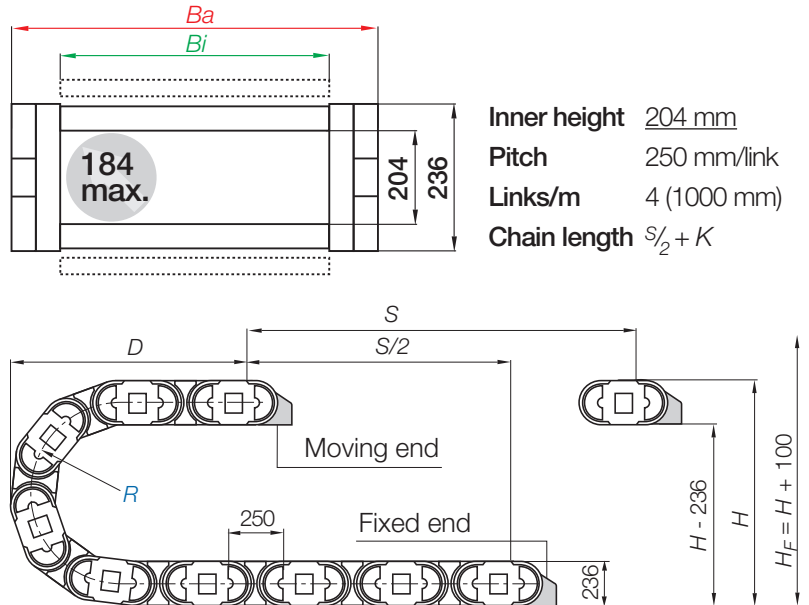
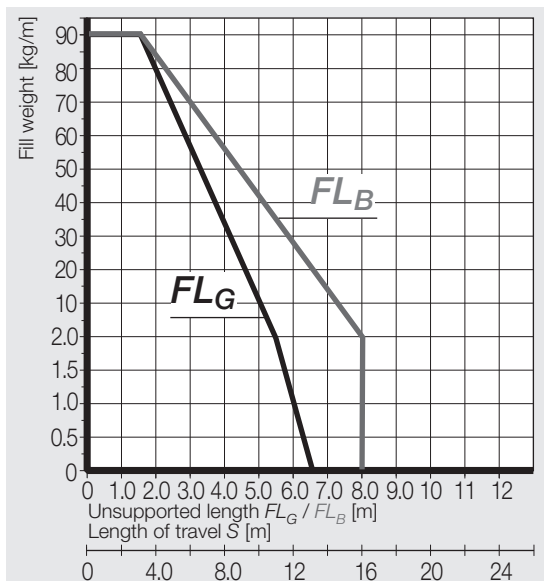


▶ 656



▶ 738

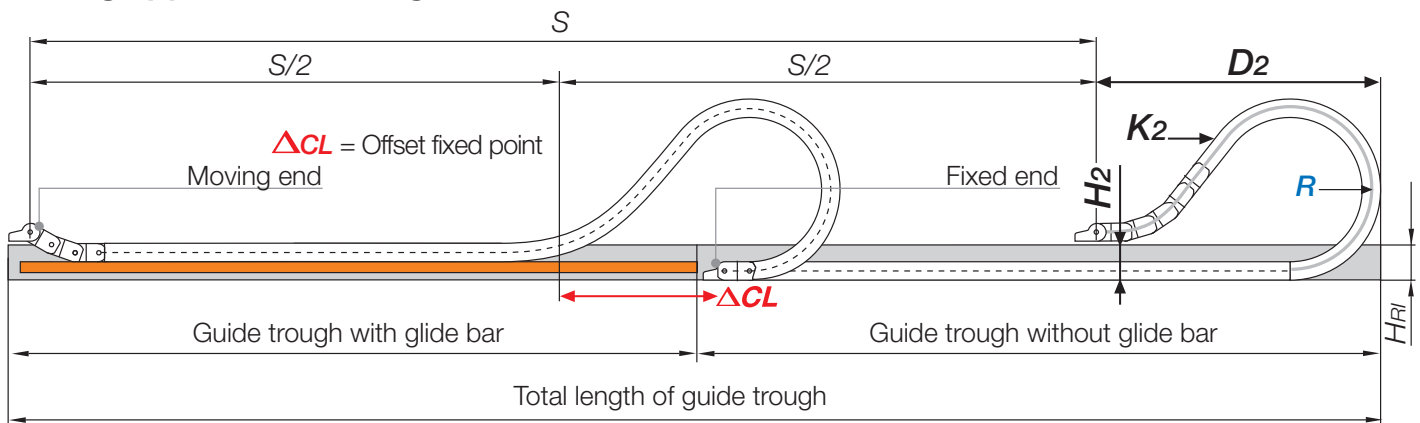
## Unsupported applications | Short travels



R	325	350	400	450	500	600	750	1000
H	886	936	1036	1136	1236	1436	1736	2236
D	818	843	893	943	993	1093	1243	1493
K	1525	1600	1760	1915	2075	2385	2860	3645

The required clearance height:  $H_F = H + 100$  mm (with 5,0 kg/m fill weight)

## Gliding applications | Long travels from 15 m to max. 450 m



**Note:** For long travel applications we recommend to realize the engineering of such a plant by our technicians.

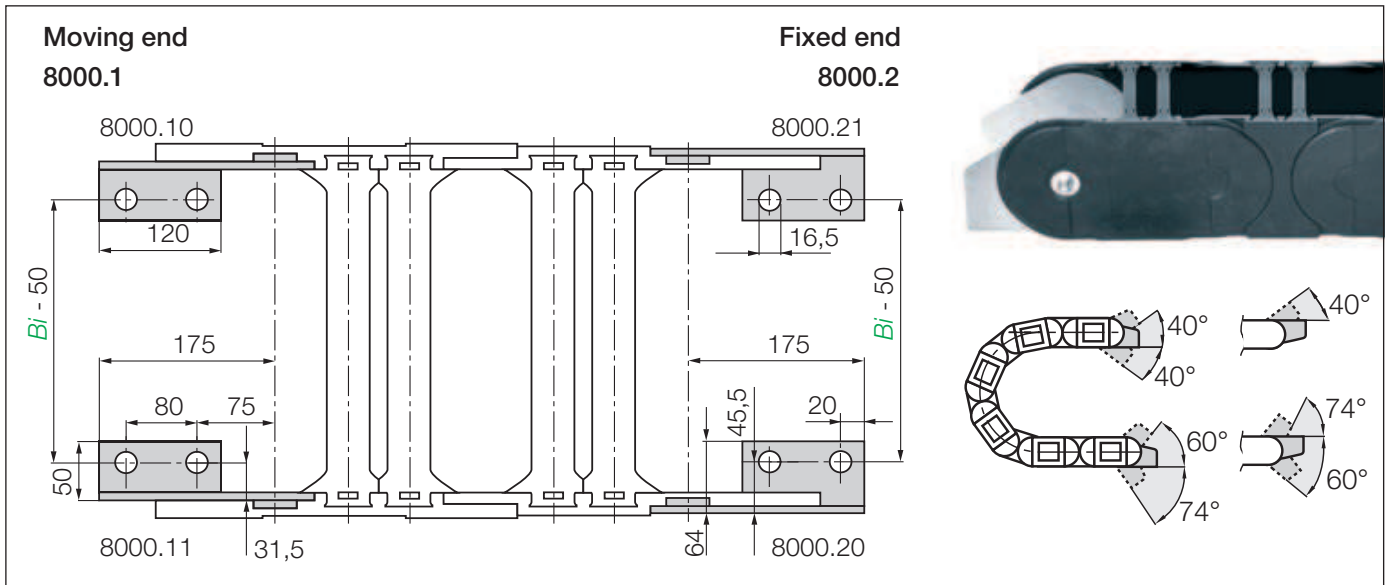
In case of travels between 12 and 15 m we recommend a longer unsupported length. **Chain length**  $S/2 + K_2$

R	325	350	400	450	500	600	750	1000
H <sub>2</sub>	580	580	580	580	580	580	580	580
D <sub>2</sub> +25	1030	1080	1380	1610	2000	2480	*	*
K <sub>2</sub>	2000	2000	2500	3000	3250	4000	*	*
ΔCL	250	300	550	750	1050	1400	*	*

\*Values upon request

# E4.1 | Series 840 | Accessories

## Steel mounting brackets | pivoting

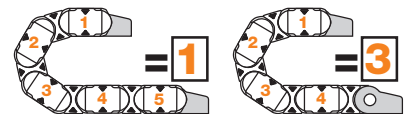


**Steel | Recommended for unsupported, gliding, vertical hanging, standing applications**

Part No.	Mounting bracket <u>pivoting</u>
8000. <b>1</b> .12.VS.E	Full set (both sides), ending with outer side link, <b>screwed</b> - Standard
8000. <b>3</b> .12.VS.E	Full set (both sides), beginning with outer side link (moving end), ending with inner side link (fixed end), <b>screwed</b> - Standard
8000. <b>1</b> .12.E	Full set (both sides), ending with outer side link, <b>not screwed</b> - Standard
8000. <b>3</b> .12.E	Full set (both sides), beginning with outer side link (moving end), ending with inner side link (fixed end), <b>not screwed</b> - Standard

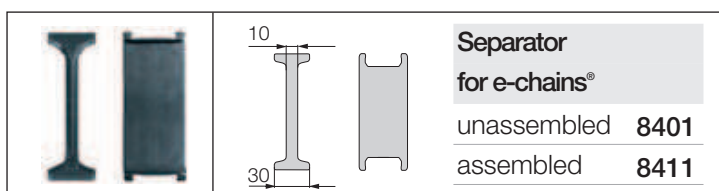
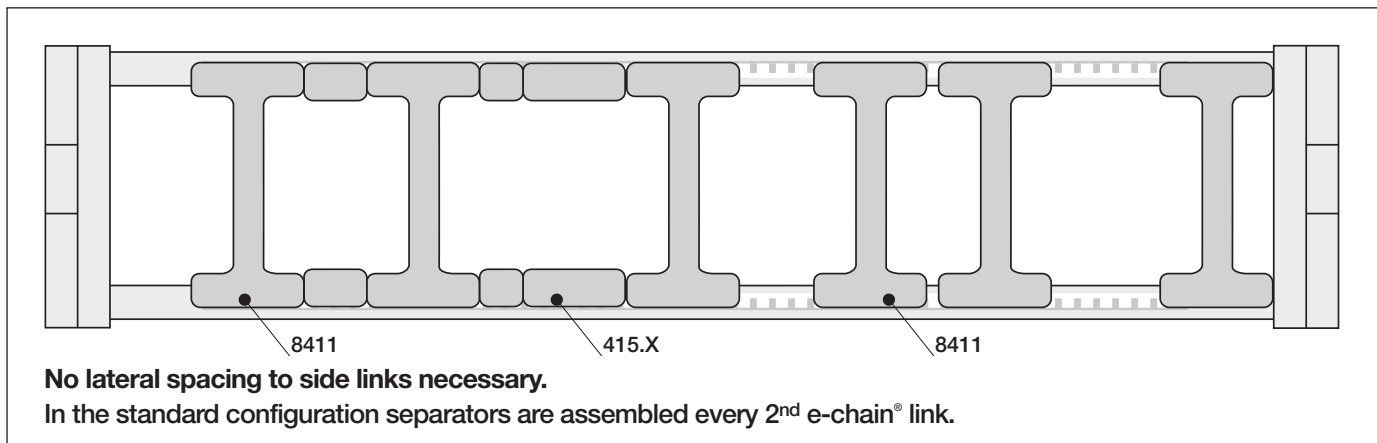
Stainless steel version available - please add index **.E** (Material: stainless steel 1.4301)

**Note:** Depending on the e-chain® length, the carrier will end with **1** outer or **3** inner side links. For the best appearance, make sure the e-chain® ends with **1** outer side link whenever possible. (with odd number of links)



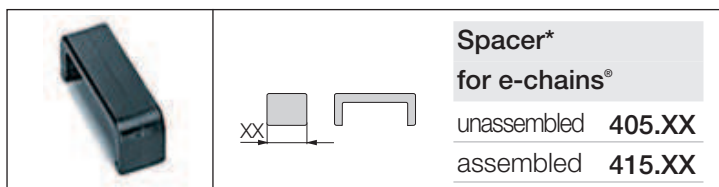
**Strain relief** e.g. clamps, tiwrap plates, nuggets and plug-in clips are available from stock. The complete chainfix range with order options ► from page 656

## Interior separation



### Separator 8401

For a vertical subdivision. Offers safe stability due to its wide base design, also when used with thick cables or hoses.



### Spacer\* 405.XX

Separators can be fixed in position by spacers. The available interior height is reduced by 2 mm per spacer (4 mm when spacers are fitted on both sides). To avoid this, the parts can also be installed from the outside on the opening crossbar. (not for long travel applications). **XX = width of the spacer** (please choose between 10, 15, 20, 30, 40 mm).