

...800
crossbars every link

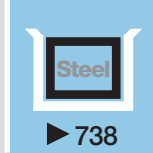
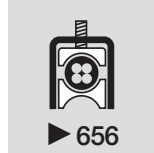
e-chains® | Series 800 crossbars every link (crossbars removable along both radii)

Part No. e-chains®	<i>Bi</i> [mm]	<i>Ba</i> [mm]	800 [kg/m]	Part No. e-chains®	<i>Bi</i> [mm]	<i>Ba</i> [mm]	800 [kg/m]
800. 20. <i>R</i> .0	200	260	≈ 15,09	800. 40. <i>R</i> .0	400	460	≈ 16,74
800. 25. <i>R</i> .0	250	310	≈ 15,50	800. 45. <i>R</i> .0	450	510	≈ 16,88
800. 30. <i>R</i> .0	300	360	≈ 15,89	800. 50. <i>R</i> .0	500	560	≈ 17,23
800. 32. <i>R</i> .0	325	385	≈ 16,05	800. 55. <i>R</i> .0	550	610	≈ 17,63
800. 35. <i>R</i> .0	350	410	≈ 16,22	800. 60. <i>R</i> .0	600	660	≈ 18,19

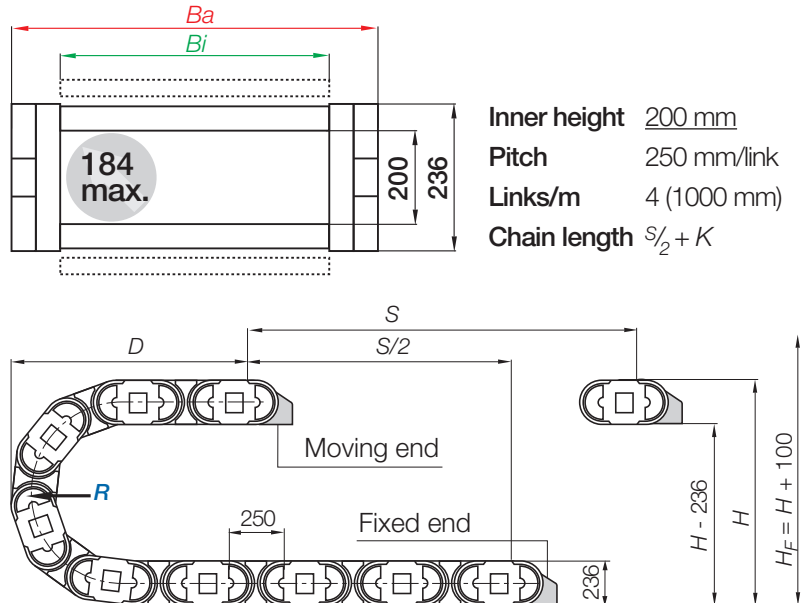
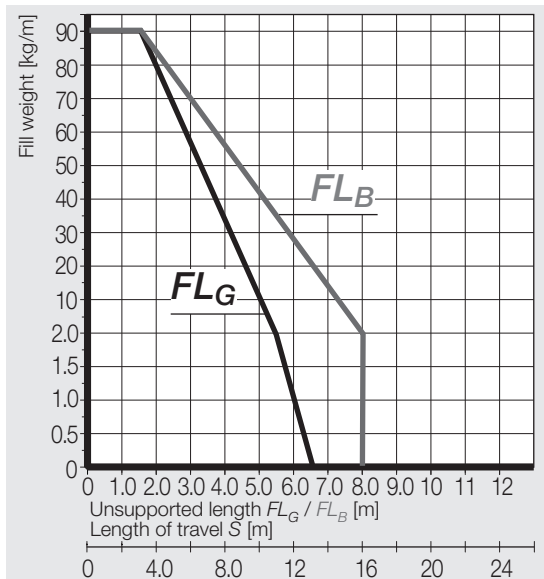
Available bending radii *R* [mm] 325 | 350 | 400 | 450 | 500 | 600 | 750 | 1000

Supplement Part No. with required radius (*R*). Example:

800.40.400.0 = e-chain® with **crossbars every link**, inner width *Bi* 450 mm, radius *R* 400 mm, color black



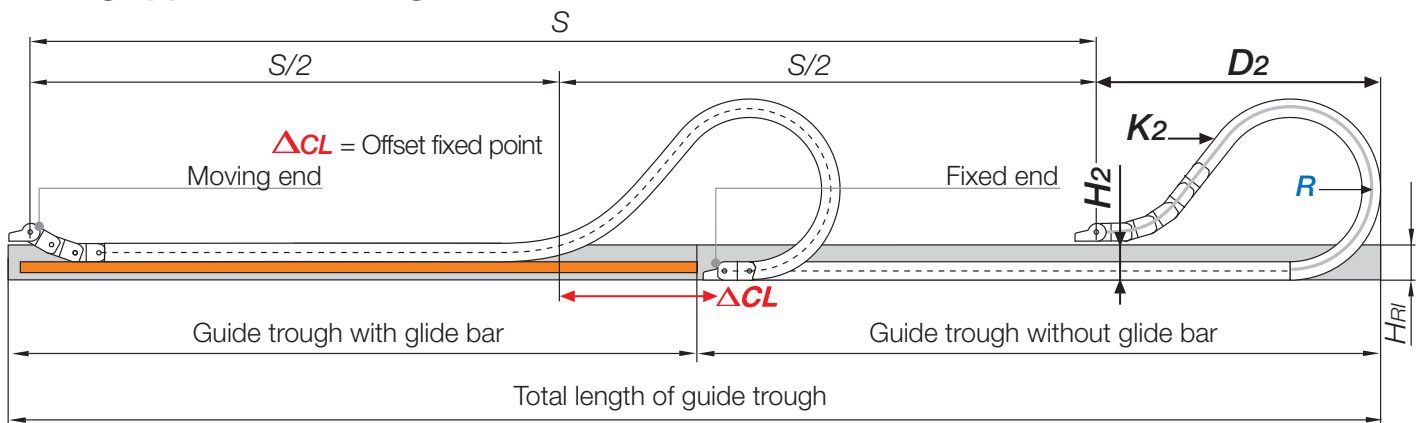
Unsupported applications | Short travels



R	325	350	400	450	500	600	750	1000
H	886	936	1036	1136	1236	1436	1736	2236
D	818	843	893	943	993	1093	1243	1493
K	1525	1600	1760	1915	2075	2385	2860	3645

The required clearance height: $H_F = H + 100$ mm (with 5,0 kg/m fill weight)

Gliding applications | Long travels from 15 m to max. 450 m



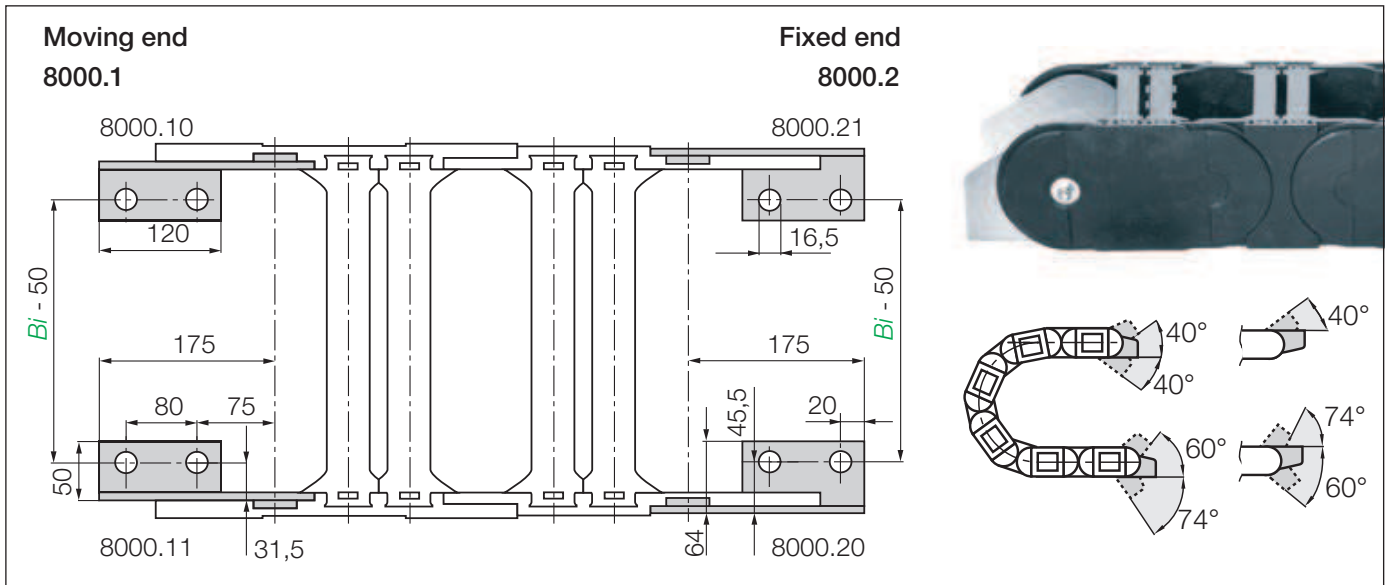
Note: For long travel applications we recommend to realize the engineering of such a plant by our technicians. In case of travels between 12 and 15 m we recommend a longer unsupported length. **Chain length** $S/2 + K_2$

R	325	350	400	450	500	600	750	1000
H ₂	580	580	580	580	580	580	580	580
D ₂ +25	1030	1080	1380	1610	2000	2480	*	*
K ₂	2000	2000	2500	3000	3250	4000	*	*
ΔCL	250	300	550	750	1050	1400	*	*

*Values upon request

E4.1 | Series 800 | Accessories

Steel mounting brackets | pivoting

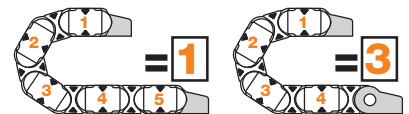


Steel | Recommended for unsupported, gliding, vertical hanging, standing applications

Part No.	Mounting bracket <u>pivoting</u>
8000. 1 .12.VS.E	Full set (both sides), ending with outer side link, screwed - Standard
8000. 3 .12.VS.E	Full set (both sides), beginning with outer side link (moving end), ending with inner side link (fixed end), screwed - Standard
8000. 1 .12.E	Full set (both sides), ending with outer side link, not screwed - Standard
8000. 3 .12.E	Full set (both sides), beginning with outer side link (moving end), ending with inner side link (fixed end), not screwed - Standard

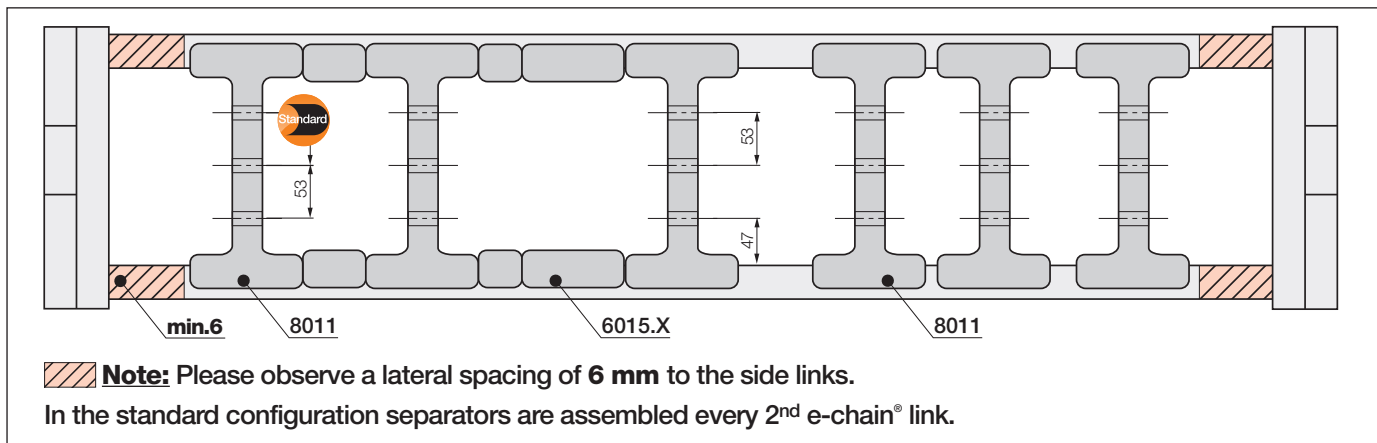
Stainless steel version available - please add index **.E** (Material: stainless steel 1.4301)

Note: Depending on the e-chain® length, the carrier will end with **1** outer or **3** inner side links. For the best appearance, make sure the e-chain® ends with **1** outer side link whenever possible. (with odd number of links)



Strain relief e.g. clamps, tiwrap plates, nuggets and plug-in clips are available from stock. The complete chainfix range with order options ► from page 656

Interior separation



		Separator for e-chains® unassembled 8001 assembled 8011
		Spacer* for e-chains® unassembled 6005.XX assembled 6015.XX

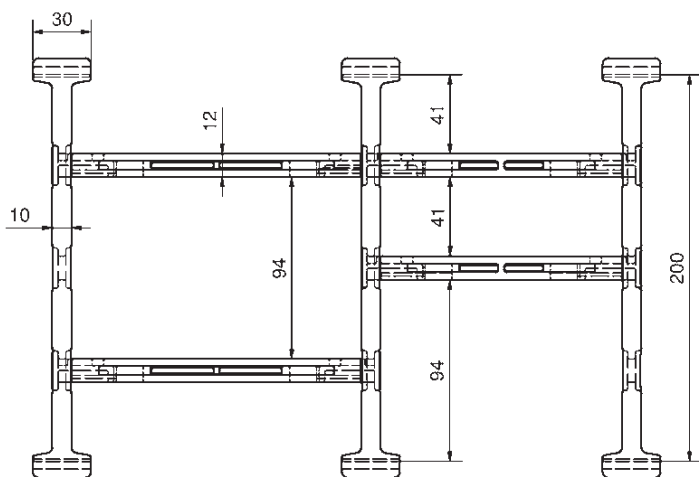
Separator 8001

For a vertical subdivision. Offers safe stability due to its wide base design, also when used with thick cables or hoses.

Spacer* 6005.XX

Separators can be fixed in position by spacers. The available interior height is reduced by 2 mm per spacer (4 mm when spacers are fitted on both sides). To avoid this, the parts can also be installed from the outside on the opening crossbar. **XX = width of the spacer** (please choose between 10, 15, 20 mm).

Modular E4 shelving system for Series 800



- Secure guide even for large cables ● Easy assembly
- Robust, also for large cable diameters ● Modular ● Widths from 50 - 600 mm

Part No. unassembled	Part No. assembled	Snap in tab	Part No. separator	Part No. crossbar	Width [mm]
8001H1	8011H1	① single-sided	③ 8001	④ 450.XX.A	50-600
8001H2	8011H2	② double-sided	③ 8001	④ 450.XX.A	50-600