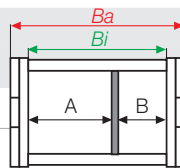




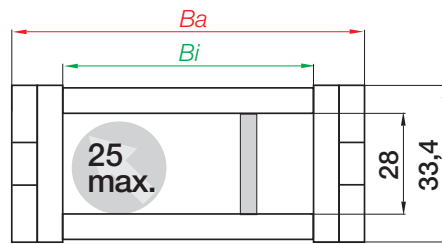
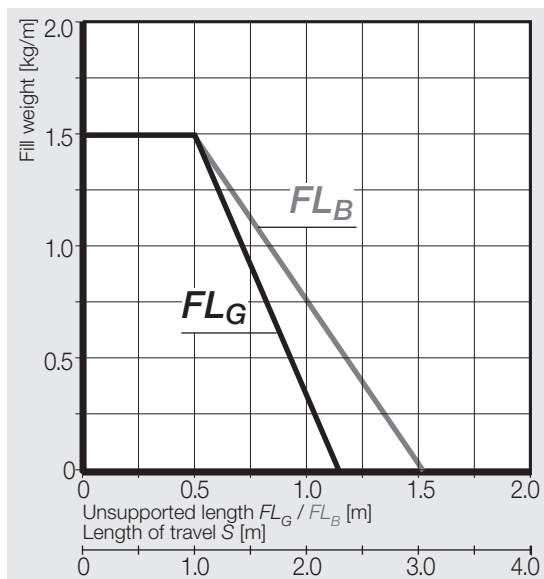
Series 11.080 | Non snap-open e-chain® with moulded-in vertical separation

e-chain® non snap-open	Bi [mm]	Ba [mm]	R Bending radii [mm]	Dim. A [mm]	Dim. B [mm]	Weight [kg/m]
11.080 .R.0	80	93	038	46	32	≈ 0,73

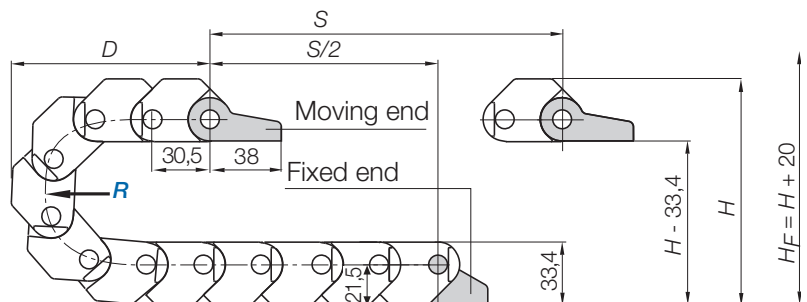


Supplement Part No. with required radius (R). Example: 11.080.038.0

Dimensions



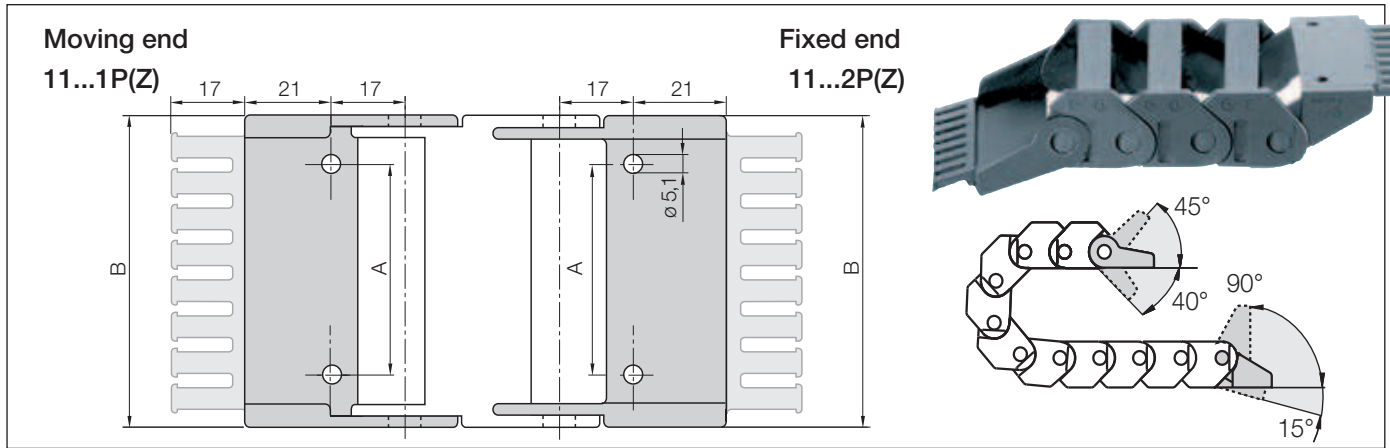
Inner height 28 mm  
Pitch 30,5 mm/link  
Links/m 33 (1006,5 mm)  
Chain length  $S/2 + K$



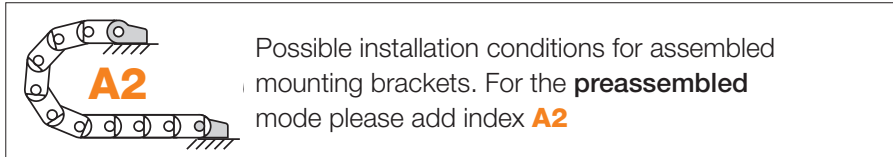
R	038
H	119
D	105
K	185

The required clearance height:  $H_F = H + 20$  mm (with 0,5 kg/m fill weight)

## Mounting brackets, polymer one-piece | pivoting



Width Index	Standard	Part No. full set with tie-wrap plates	Part No. full set without tie-wrap plates	Dim. A [mm]	Dim. B [mm]	Number of teeth
080. ▶		11.080.12PZ	11.080.12P	65	93	8



### Part No. structure

- 11.080. 12 PZ A2** A... must be indicated on preassembled configurations
- With strain relief tie-wrap plates
  - Full set pivoting**
  - Mounting bracket for selected width index