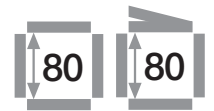


E4.1 | Series E4.80 | Delivery program

Stable due to undercut design, very large inner height



...E4.80
crossbars every link

Standard
...H4.80
crossbars every 2nd link

...R4.80
fully enclosed

e-chains® | Series E4.80 crossbars every link (crossbars removable along both radii)

e-chains® | Series H4.80 crossbars every 2nd link (crossbars removable along both radii)

e-tubes | Series R4.80 fully enclosed (hinged snap-open removable lids along outer radius)

Part No. e-chains® / e-tubes	Bi [mm]	Ba [mm]	E4.80 [kg/m]	H4.80 [kg/m]	R4.80 [kg/m]
E4. H4. - 80. 05. R.0	50	100	5,339	5,221	-
E4. H4. - 80. 06. R.0	65	115	5,411	5,257	-
E4. H4. - 80. 07. R.0	75	125	5,467	5,285	-
E4. H4. - 80. 08. R.0	87	137	5,563	5,319	-
E4. H4. - 80. 10. R.0	100	150	5,610	5,357	-
E4. H4. - 80. 11. R.0	112	163	5,705	5,404	-
E4. H4. - 80. 12. R.0	125	175	5,769	5,436	-
E4. H4. - 80. 13. R.0	137	188	5,880	5,492	-
E4. H4. R4.1) 80. 15. R.0	150	200	5,911	5,507	6,720
E4. H4. - 80. 16. R.0	162	213	6,003	5,553	-
E4. H4. - 80. 17. R.0	175	225	6,111	5,607	-
E4. H4. - 80. 18. R.0	187	238	6,202	5,653	-
E4. H4. R4. 80. 20. R.0	200	250	6,248	5,676	7,230
E4. H4. - 80. 21. R.0	212	263	6,306	5,705	-
E4. H4. - 80. 22. R.0	225	275	6,363	5,733	-
E4. H4. - 80. 23. R.0	237	288	6,453	5,778	-
E4. H4. R4. 80. 25. R.0	250	300	6,543	5,824	8,060
E4. H4. - 80. 26. R.0	262	313	6,618	5,861	-
E4. H4. - 80. 27. R.0	275	325	6,701	5,902	-
E4. H4. - 80. 28. R.0	287	338	6,749	5,926	-
E4. H4. R4. 80. 30. R.0	300	350	6,873	5,988	8,730

Part No. e-chains® / e-tubes	Bi [mm]	Ba [mm]	E4.80 [kg/m]	H4.80 [kg/m]	R4.80 [kg/m]
E4. H4. - 80. 31. R.0	312	363	6,904	6,004	-
E4. H4. - 80. 32. R.0	325	375	6,988	6,046	-
E4. H4. - 80. 33. R.0	337	388	7,086	6,095	-
E4. H4. R4. 80. 35. R.0	350	400	7,251	6,177	9,470
E4. H4. - 80. 36. R.0	362	413	7,178	6,141	-
E4. H4. - 80. 37. R.0	375	425	7,257	6,180	-
E4. H4. - 80. 38. R.0	387	438	7,352	6,228	-
E4. H4. R4. 80. 40. R.0	400	450	7,572	6,338	10,210
E4. H4. - 80. 41. R.0	412	463	7,510	6,307	-
E4. H4. - 80. 42. R.0	425	475	7,749	6,426	-
E4. H4. - 80. 43. R.0	437	488	7,621	6,362	-
E4. H4. - 80. 45. R.0	450	500	7,890	6,497	-
E4. H4. R4. 80. 46. R.0	462	513	7,851	6,477	10,960
E4. H4. - 80. 47. R.0	475	525	7,884	6,494	-
E4. H4. - 80. 48. R.0	487	538	8,086	6,595	-
E4. H4. - 80. 50. R.0	500	550	8,093	6,598	-
E4. H4. - 80. 51. R.0	512	563	8,165	6,634	-
E4. H4. - 80. 52. R.0	525	575	8,235	6,670	-
E4. H4. - 80. 53. R.0	537	588	8,311	6,707	-
E4. H4. - 80. 55. R.0	550	600	8,655	6,879	-
E4. H4. - 80. 60. R.0	600	650	8,843	6,973	-

*Radius not available for e-tubes 1) Removable lid only, no hinged option

Available bending radii R [mm] 150* | 200 | 250 | 300 | 350 | 400 | 500 | 550 | 600 | 1000

Supplement Part No. with required radius (R). Examples:

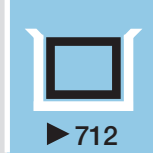
E4.80.30.300.0 = e-chain® with crossbars every link, inner width Bi 300 mm, radius R 300 mm, color black

H4.80.30.300.0 = e-chain® with crossbars every 2nd link, inner width Bi 300 mm, radius R 300 mm, color black

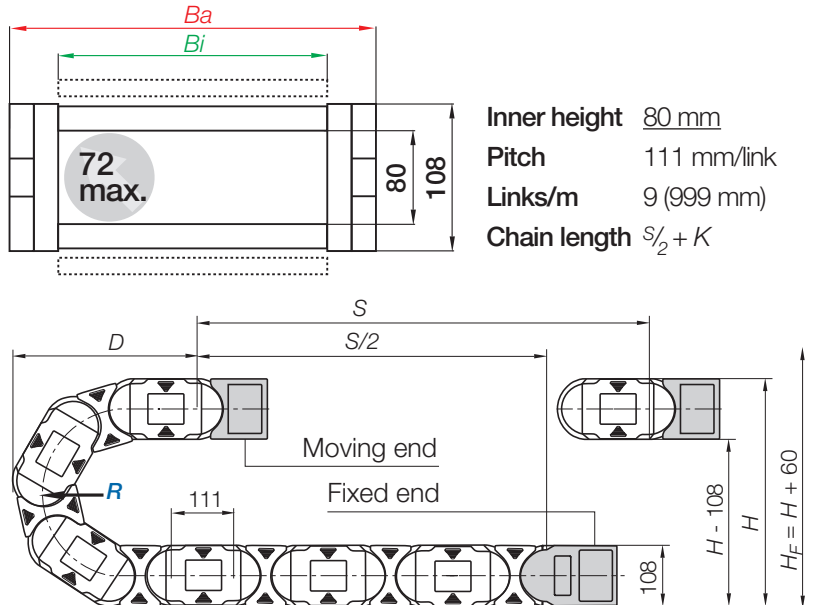
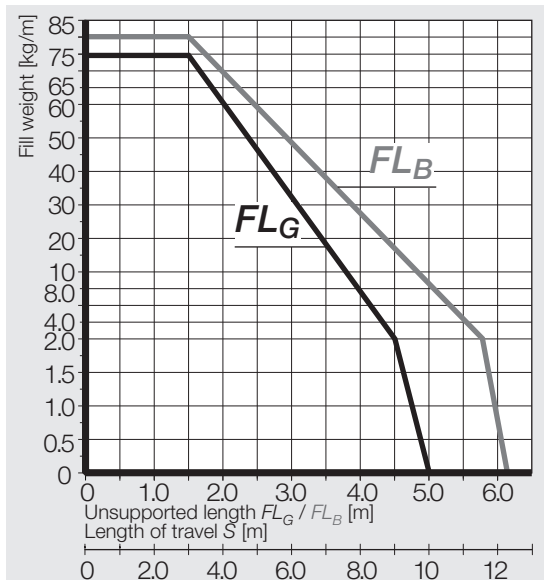
R4.80.30.300.0 = e-tube fully enclosed, inner width Bi 300 mm, radius R 300 mm, color black



ESD/ATEX permanently conductive e-chains® - E4.80 several widths with delivery from stock:
Inner widths Bi 75 - 300, radii R 200 - 300. Full ESD delivery program ► www.igus.eu/ESD



Unsupported applications | Short travels

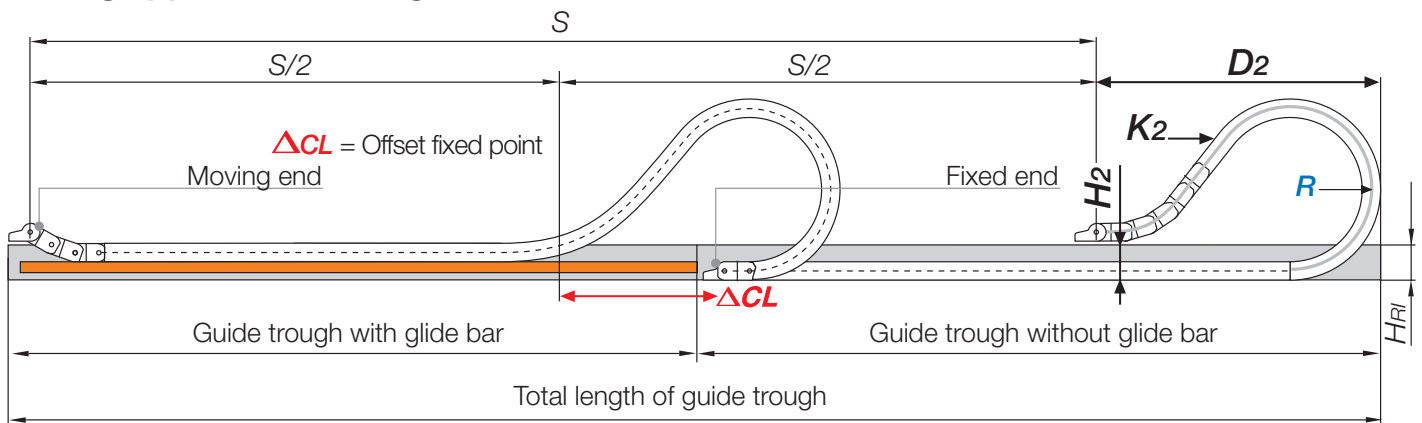


R	150*	200	250	300	350	400	500	550	600	1000
H_{+25}^{-0}	408	508	608	708	808	908	1108	1208	1308	2108
D	371	421	471	521	571	621	721	771	821	1221
K	695	855	1010	1165	1325	1480	1795	1950	2110	3365

The required clearance height: $H_F = H + 60$ mm (with 3,0 kg/m fill weight)

*Radius not available for e-tubes

Gliding applications | Long travels from 12 m to max. 400 m



Note: For long travel applications we recommend to realize the engineering of such a plant by our technicians.

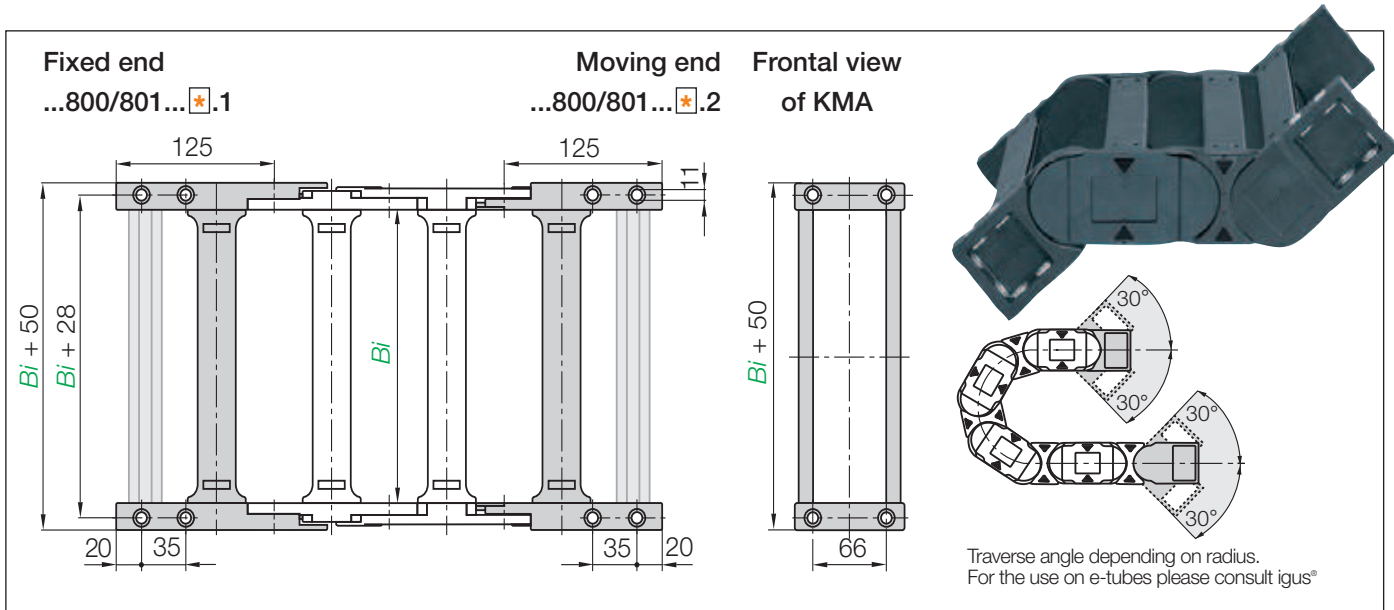
In case of travels between 10 and 12 m we recommend a longer unsupported length. **Chain length** $S/2 + K_2$

R	150*	200	250	300	350	400	500	550	600	1000
H_2	242	242	242	242	242	242	242	-	-	-
D_2^{+25}	550	800	1000	1200	1450	1600	2100	-	-	-
K_2	890	1330	1665	2000	2330	2660	3440	-	-	-
ΔCL	189	389	539	689	889	989	1389	-	-	-

*Radius not available for e-tubes

E4.1 | Series E4.80 | Accessories

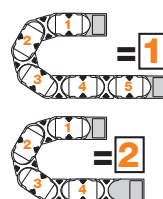
KMA mounting brackets | Attachment on all sides | pivoting | locking



KMA pivoting | Recommended for unsupported and gliding applications | **Standard KMA locking** | Recommended for vertical hanging and standing applications

Width Index	Standard	Part No. full set KMA pivoting:	Part No. full set KMA locking:	Bi [mm]	Width Index	Standard	Part No. full set KMA pivoting:	Part No. full set KMA locking:	Bi [mm]
05.	▶	E4. - 800.05. [*] .12.C	E4. - 801.05. [*] .12.C	50	31.	▶	E4. - 800.31. [*] .12.C	E4. - 801.31. [*] .12.C	312
06.	▶	E4. - 800.06. [*] .12.C	E4. - 801.06. [*] .12.C	65	32.	▶	E4. - 800.32. [*] .12.C	E4. - 801.32. [*] .12.C	325
07.	▶	E4. - 800.07. [*] .12.C	E4. - 801.07. [*] .12.C	75	33.	▶	E4. - 800.33. [*] .12.C	E4. - 801.33. [*] .12.C	337
08.	▶	E4. - 800.08. [*] .12.C	E4. - 801.08. [*] .12.C	87	35.	▶	E4. R4.800.35. [*] .12.C	E4. R4.801.35. [*] .12.C	350
10.	▶	E4. - 800.10. [*] .12.C	E4. - 801.10. [*] .12.C	100	36.	▶	E4. - 800.36. [*] .12.C	E4. - 801.36. [*] .12.C	362
11.	▶	E4. - 800.11. [*] .12.C	E4. - 801.11. [*] .12.C	112	37.	▶	E4. - 800.37. [*] .12.C	E4. - 801.37. [*] .12.C	375
12.	▶	E4. - 800.12. [*] .12.C	E4. - 801.12. [*] .12.C	125	38.	▶	E4. - 800.38. [*] .12.C	E4. - 801.38. [*] .12.C	387
13.	▶	E4. - 800.13. [*] .12.C	E4. - 801.13. [*] .12.C	137	40.	▶	E4. R4.800.40. [*] .12.C	E4. R4.801.40. [*] .12.C	400
15.	▶	E4. R4.800.15. [*] .12.C	E4. R4.801.15. [*] .12.C	150	41.	▶	E4. - 800.41. [*] .12.C	E4. - 801.41. [*] .12.C	412
16.	▶	E4. - 800.16. [*] .12.C	E4. - 801.16. [*] .12.C	162	42.	▶	E4. - 800.42. [*] .12.C	E4. - 801.42. [*] .12.C	425
17.	▶	E4. - 800.17. [*] .12.C	E4. - 801.17. [*] .12.C	175	43.	▶	E4. - 800.43. [*] .12.C	E4. - 801.43. [*] .12.C	437
18.	▶	E4. - 800.18. [*] .12.C	E4. - 801.18. [*] .12.C	187	45.	▶	E4. - 800.45. [*] .12.C	E4. - 801.45. [*] .12.C	450
20.	▶	E4. R4.800.20. [*] .12.C	E4. R4.801.20. [*] .12.C	200	46.	▶	E4. R4.800.46. [*] .12.C	E4. R4.801.46. [*] .12.C	462
21.	▶	E4. - 800.21. [*] .12.C	E4. - 801.21. [*] .12.C	212	47.	▶	E4. - 800.47. [*] .12.C	E4. - 801.47. [*] .12.C	475
22.	▶	E4. - 800.22. [*] .12.C	E4. - 801.22. [*] .12.C	225	48.	▶	E4. - 800.48. [*] .12.C	E4. - 801.48. [*] .12.C	487
23.	▶	E4. - 800.23. [*] .12.C	E4. - 801.23. [*] .12.C	237	50.	▶	E4. - 800.50. [*] .12.C	E4. - 801.50. [*] .12.C	500
25.	▶	E4. R4.800.25. [*] .12.C	E4. R4.801.25. [*] .12.C	250	51.	▶	E4. - 800.51. [*] .12.C	E4. - 801.51. [*] .12.C	512
26.	▶	E4. - 800.26. [*] .12.C	E4. - 801.26. [*] .12.C	262	52.	▶	E4. - 800.52. [*] .12.C	E4. - 801.52. [*] .12.C	525
27.	▶	E4. - 800.27. [*] .12.C	E4. - 801.27. [*] .12.C	275	53.	▶	E4. - 800.53. [*] .12.C	E4. - 801.53. [*] .12.C	537
28.	▶	E4. - 800.28. [*] .12.C	E4. - 801.28. [*] .12.C	287	55.	▶	E4. - 800.55. [*] .12.C	E4. - 801.55. [*] .12.C	550
30.	▶	E4. R4.800.30. [*] .12.C	E4. R4.801.30. [*] .12.C	300	60.	▶	E4. - 800.60. [*] .12.C	E4. - 801.60. [*] .12.C	600

Note*: The E4.1 may end with either an inner or an outer side link. An outer side link always forms the first e-chain® link at the moving end. The Part No. depend on an even or odd numbers of links. Please insert: Index **1** (for odd) or **2** (for even). For the **preassembled** mode please add index **A**.

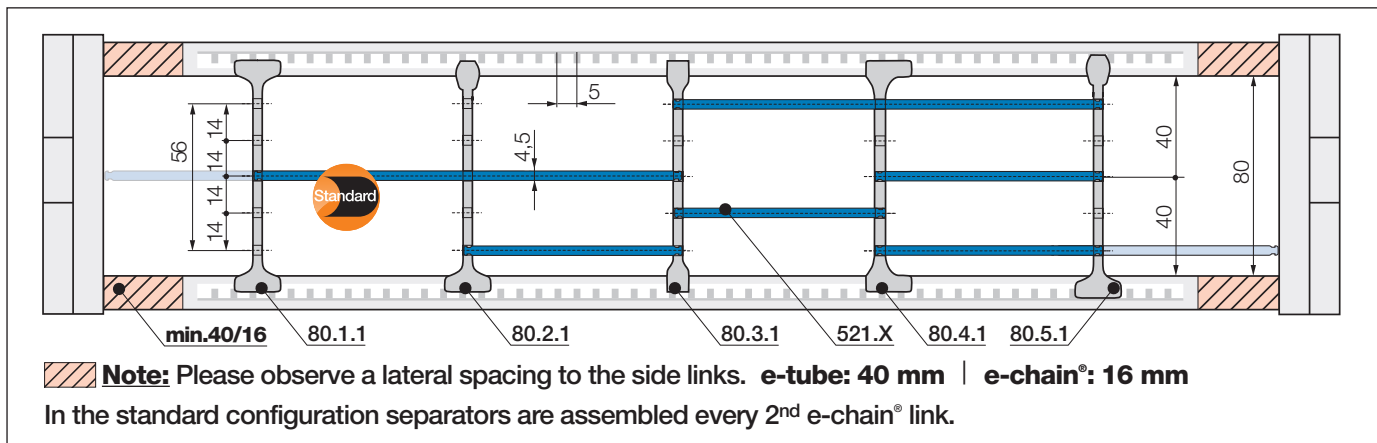
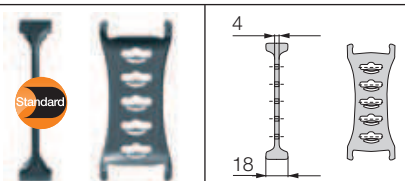


E4.800.30.2.12.CA Part No. structure
 A...must be indicated on preassembled configurations
 C-profile option
 Full set
 Even numbers of links
 Width index
 Series



Interior separation | New generation

Previous interior separation with optional elements ► www.igus.eu/E4.80

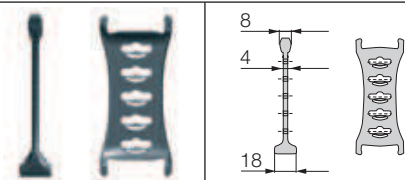



Standard separator, wide base

unassembled	80.1
assembled	80.1.1

Standard - for all applications

Separator with a wide base for maximum locking strength and safe standing in e-chains® and e-tubes.

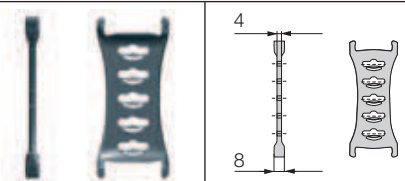


Separator for QuickLock crossbar

unassembled	80.2
assembled	80.2.1

For even faster installation

Separator for igus® QuickLock crossbar 450.X.Q. Firm hold to one side with a wide base, narrow on opposed side for easy cable assembly (slight grip). For e-tubes also.

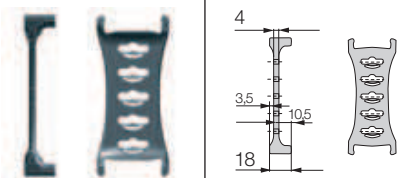


Separator, narrow base

unassembled	80.3
assembled	80.3.1

For many thin cables

Separator with a narrow base for a large number of thin cables side by side. Saves space in e-chains® and e-tubes. Also available for QuickLock crossbars.

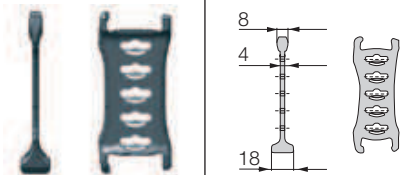


Separator, asymmetrical

unassembled	80.4
assembled	80.4.1

For side-mounted applications

Asymmetrical separator, for defined distance. No additional spacers necessary for e-chains® and e-tubes.

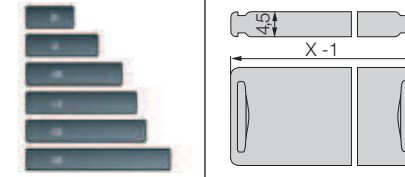


Notch separator for notch crossbar

unassembled	80.5
assembled	80.5.1

Locks safely in 5 mm increments

Notch separator for exact positioning in e-chains®. Recommended for side-mounted applications.



Full-width shelf, lockable

unassembled	520.X
assembled	521.X

Horizontal separation

Shelf locks safely into separators on both ends, fixed width possible. Separators can be moved freely over the shelf in horizontal direction. Can be arranged at 5 different heights.

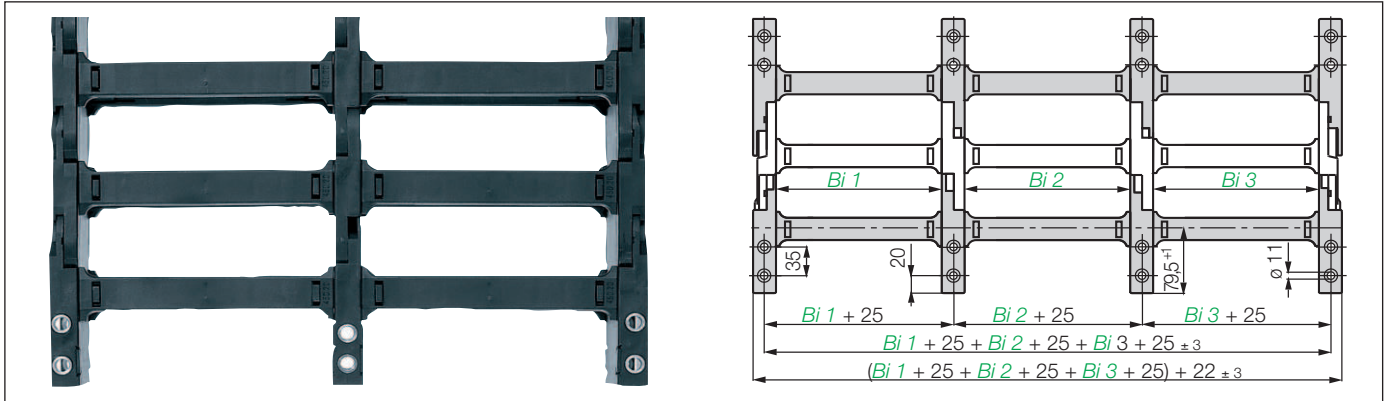
Lockable full-width shelves



Width X [mm]	unassembled	assembled	Width X [mm]	unassembled	assembled	Width X [mm]	unassembled	assembled
050	520.050	521.050	150	520.150	521.150	300	520.300	521.300
065	520.065	521.065	175	520.175	521.175	350	520.350	521.350
075	520.075	521.075	200	520.200	521.200	375	520.375	521.375
100	520.100	521.100	225	520.225	521.225	387	520.387	521.387
125	520.125	521.125	250	520.250	521.250	450	520.450	521.450

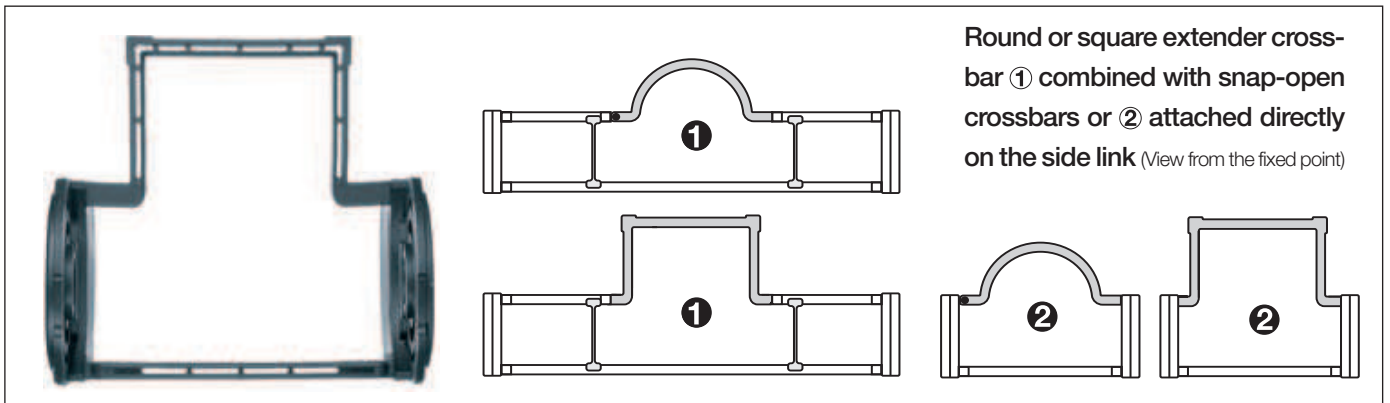
E4.1 | Series E4.80 | Further Accessories

Extension links | Extender crossbars



Extension links | For extremely wide e-chains® up to 3,0 m

- Virtually limitless side-by-side attachment for high fill weights necessitate extremely wide e-chains® (up to 3000 mm)
- The unsupported length FL_G max. can be increased when additional loads are required



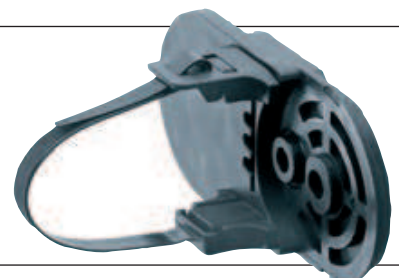
Extender crossbars | Safe guiding for large hoses

- Suitable for hoses with a maximum outer diameter of 245 mm
- Gliding with crossbars assembled along outer radius and a special guide trough
- Extender crossbar ① for snap-open crossbars or ② attached directly on the side link

Part No. single part	Max Ø [mm] hose	Form	② Installation on side link	① Combination with snap-open crossbars
450.15.RHD115	115	○ round	no	yes
450.17.RD115	115	○ round	yes	no
450.25.D150	150	□ square	yes	no
450.30.D200	200	□ square	yes	no
450.35.D250	220	□ square	yes	no
450.40.D300	270	□ square	yes	no
450.20.HD150	150	□ square	no	yes
450.25.HD200	200	□ square	no	yes
450.30.HD250	220	□ square	no	yes

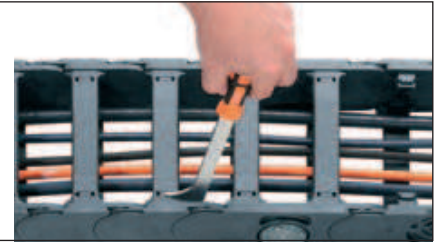
E4 snapclip - clip-on cable binder

- For side-mounted applications
- Serves as a clip-on, lateral guide for hoses and cables on e-chains®
- The loops can be adjusted as required
- Compatible with many E4 e-chains®
- One clip and one locking band are needed for each e-chain® link. The complete range with order options ► www.igus.eu/E4.80



The igus® e-chain® opener reduces assembly time

e-chain® opener tools for convenient opening and closing of E4 series igus® e-chains® ● Especially for e-chains® with many crossbars the assembly is much easier ● Especially in areas difficult to access mounting is simplified big savings in assembly time. Please call us or visit ► www.igus.eu/E4savetime



Optional: Support tray tool kit.

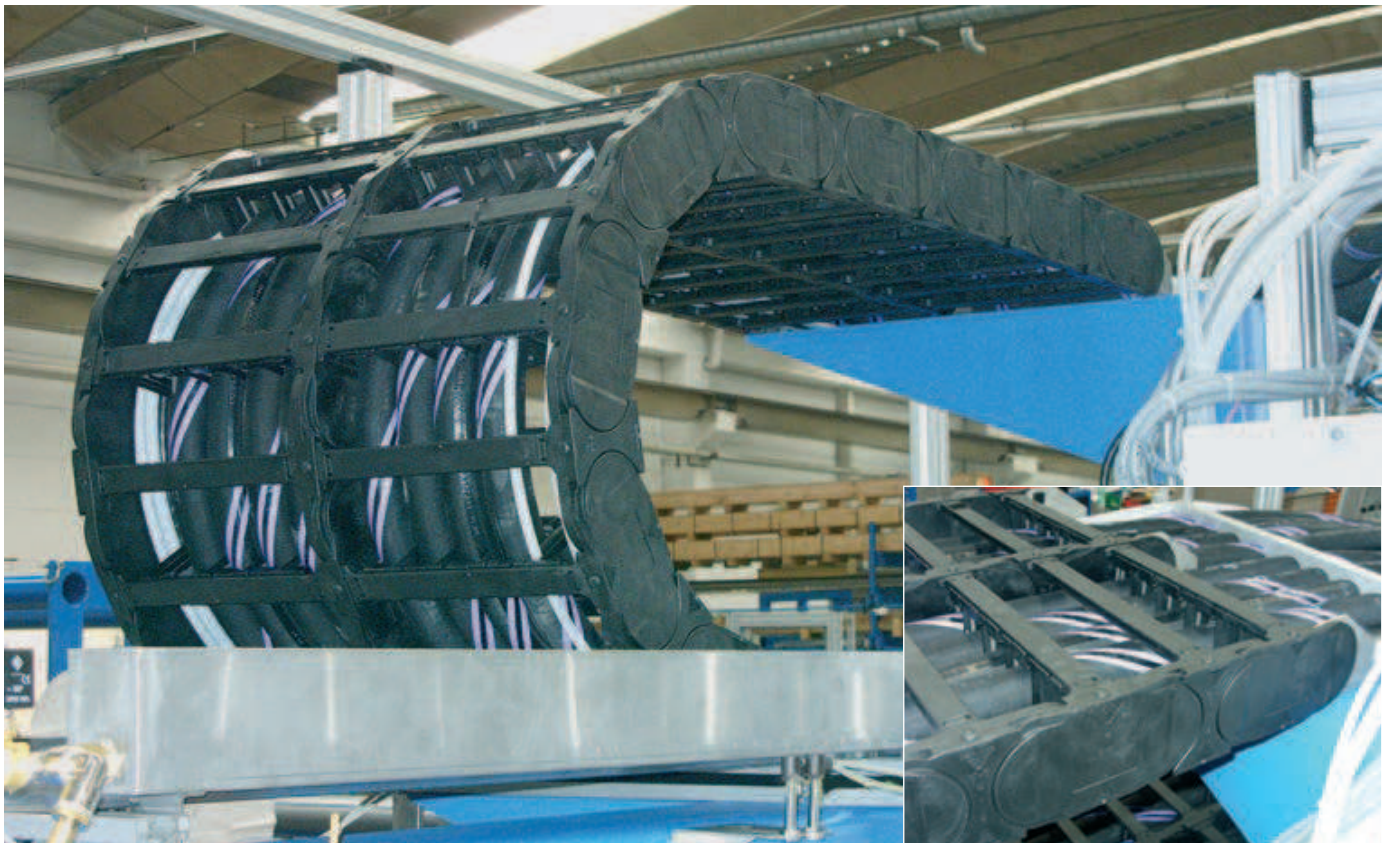
For support of the lower run.

Simple one-piece support trays according to your requirements and specification. The complete range with order options ► from page 740



Heavy-Duty Version - For very long travels or high additional loads - Series 5050HD·R9850HD

● High side-mount stability due to undercut ● High torsional rigidity and tensile stability ● Robust Steel-Mounting Brackets ● For long-term operation in very humid environments. Please call us or visit ► www.igus.eu/5050HD



Series ES4.80 as a noise-optimized version with extension links. Unsupported application with high fill weights. Harnessed with rigid hydraulic hoses. Due to the optionally rubber pads, the max. noise-level can be reduced up to 9 dB(A)