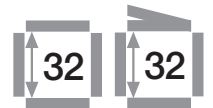


E4.1 | Series E4.32 | Delivery program

Stable due to undercut design, medium inner height



e-chains® | Series E4.32 crossbars every link (crossbars removable along both radii)

e-chains® | Series H4.32 crossbars every 2nd link (crossbars removable along both radii)

e-tubes | Series R4.32 fully enclosed (hinged snap-open removable lids along outer radius)

Part No. e-chains® / e-tubes	Bi [mm]	Ba [mm]	E4.32 [kg/m]	H4.32 [kg/m]	R4.32 [kg/m]
E4. H4. R4.1) 32. 05. R.0	50	73	1,567	1,425	2,450
E4. H4. - 32. 06. R.0	68	91	1,697	1,49	-
E4. H4. R4. 32. 07. R.0	75	98	1,730	1,507	2,570
E4. H4. - 32. 087.R.0	87	110	1,803	1,543	-
E4. H4. - 32. 097.R.0	97	120	1,867	1,575	-
E4. H4. R4. 32. 10. R.0	100	123	1,886	1,584	2,650
E4. H4. R4. 32. 11. R.0	108	131	1,942	1,612	2,760
E4. H4. - 32. 112.R.0	112	136	1,956	1,619	-
E4. H4. R4. 32. 12. R.0	125	148	2,069	1,676	2,850
E4. H4. - 32. 137.R.0	137	161	2,122	1,702	-
E4. H4. R4. 32. 15. R.0	150	173	2,212	1,747	3,010
E4. H4. - 32. 162.R.0	162	186	2,240	1,762	-
E4. H4. R4. 32. 17. R.0	168	191	2,323	1,803	3,210
E4. H4. - 32. 18. R.0	175	198	2,345	1,814	-
E4. H4. - 32. 187.R.0	187	211	2,392	1,837	-
E4. H4. R4. 32. 20. R.0	200	223	2,518	1,900	3,410

Part No. e-chains® / e-tubes	Bi [mm]	Ba [mm]	E4.32 [kg/m]	H4.32 [kg/m]	R4.32 [kg/m]
E4. H4. - 32. 212.R.0	212	236	2,568	1,925	-
E4. H4. - 32. 23. R.0	225	248	2,669	1,976	-
E4. H4. - 32. 237.R.0	237	261	2,698	1,990	-
E4. H4. R4. 32. 25. R.0	250	273	2,834	2,059	3,860
E4. H4. - 32. 262.R.0	262	286	2,917	2,100	-
E4. H4. - 32. 28. R.0	275	298	2,989	2,136	-
E4. H4. - 32. 29. R.0	287	311	3,023	2,153	-
E4. H4. R4. 32. 30. R.0	300	323	3,151	2,217	4,250
E4. H4. - 32. 312.R.0	312	336	3,175	2,229	-
E4. H4. - 32. 325.R.0	325	348	3,277	2,280	-
E4. H4. - 32. 337.R.0	337	361	3,338	2,311	-
E4. H4. - 32. 350.R.0	350	373	3,565	2,424	-
E4. H4. - 32. 362.R.0	362	386	3,662	2,473	-
E4. H4. - 32. 375.R.0	375	398	3,735	2,509	-
E4. H4. - 32. 387.R.0	387	411	3,803	2,543	-
E4. H4. - 32. 400.R.0	400	423	3,868	2,575	-

*Radius not available for e-tubes 1) Removable lid only, no hinged option

Available bending radii *R* [mm] 063* | 075* | 100* | 125 | 150 | 175 | 200 | 220 | 250 | 300

Supplement Part No. with required radius (*R*). Examples:

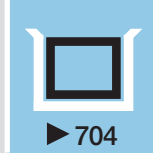
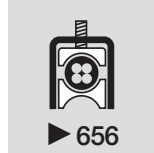
E4.32.30.300.0 = e-chain® with **crossbars every link**, inner width *Bi* 300 mm, radius *R* 300 mm, color black

H4.32.30.300.0 = e-chain® with **crossbars every 2nd link**, inner width *Bi* 300 mm, radius *R* 300 mm, color black

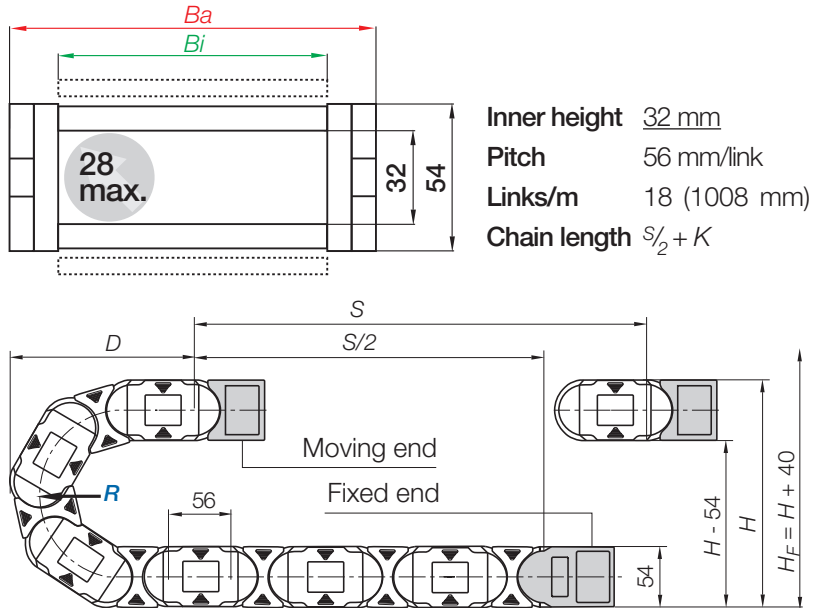
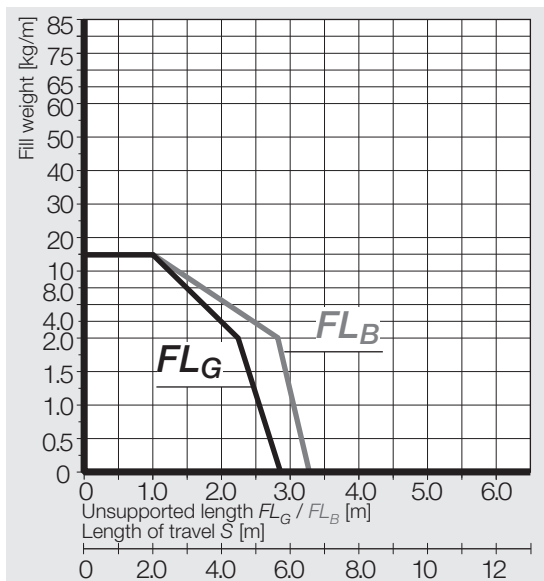
R4.32.30.300.0 = e-tube **fully enclosed**, inner width *Bi* 300 mm, radius *R* 300 mm, color black



ESD/ATEX permanently conductive e-chains® - E4.32 several widths with delivery from stock: Inner widths *Bi* 50 - 200, radii *R* 63 - 250. Full ESD delivery program ► www.igus.eu/ESD



Unsupported applications | Short travels



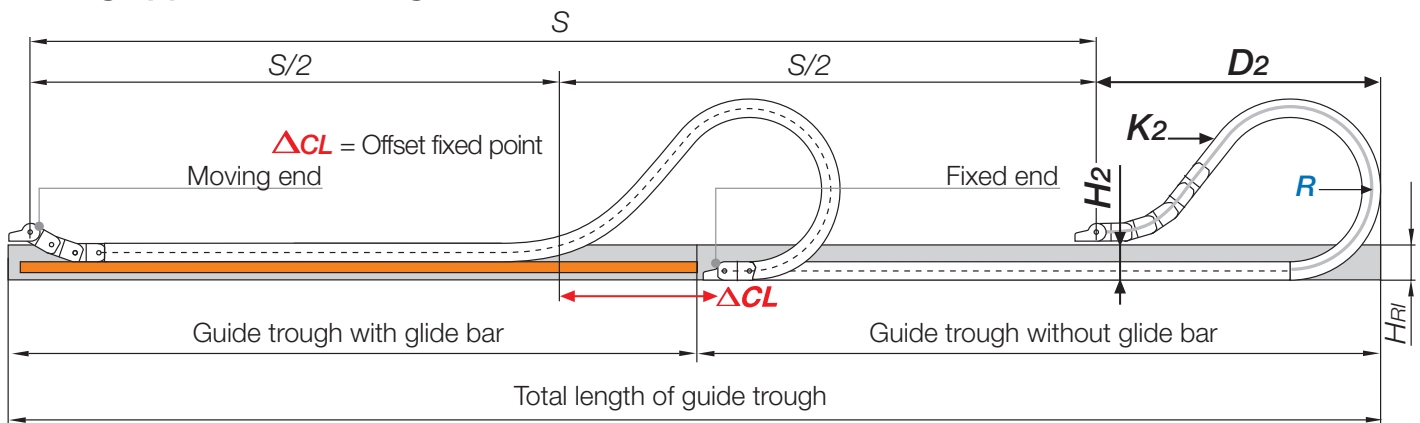
Inner height 32 mm
Pitch 56 mm/link
Links/m 18 (1008 mm)
Chain length $S/2 + K$

R	063*	075*	100	125	150	175	200	220	250	300
H^{+20}_0	180	204	254	304	354	404	454	494	554	654
D	174	186	211	236	261	286	311	331	361	411
K	310	350	430	505	585	665	745	805	900	1055

The required clearance height: $H_F = H + 40$ mm (with 2,0 kg/m fill weight)

*Radius not available for e-tubes

Gliding applications | Long travels from 10 m to max. 200 m



Note: For long travel applications we recommend to realize the engineering of such a plant by our technicians.

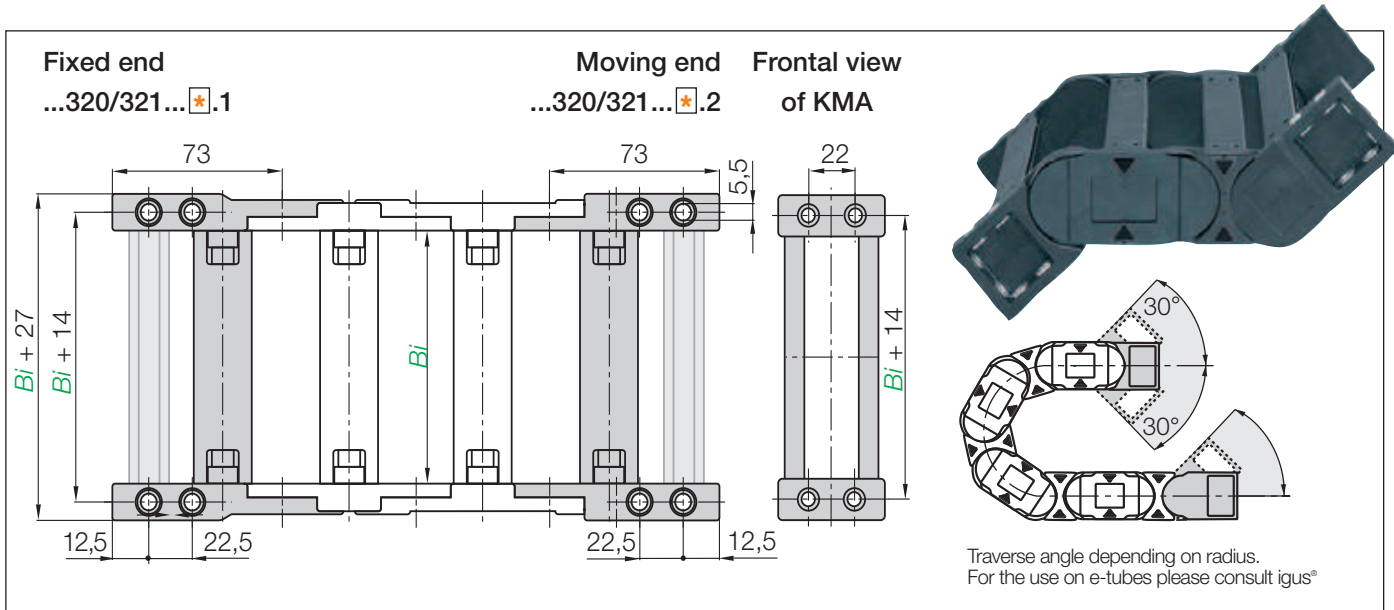
In case of travels between 7 and 10 m we recommend a longer unsupported length. Chain length $S/2 + K_2$

R	063*	075*	100*	125	150	175	200	220	250	300
H_2	126	150	166	166	166	166	166	166	166	166
D_2^{+25}	146	158	370	470	500	655	770	900	930	1100
K_2	310	350	616	784	896	1120	1288	1456	1568	1904
ΔCL	-	-	160	210	240	370	460	540	570	690

*Radius not available for e-tubes

E4.1 | Series E4.32 | Accessories

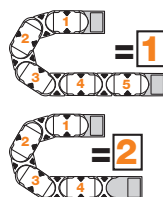
KMA mounting brackets | Attachment on all sides | pivoting | locking



KMA pivoting | Recommended for unsupported and gliding applications | **Standard KMA locking** | Recommended for vertical hanging and standing applications

Width Index	Standard	Part No. full set KMA pivoting:	Part No. full set KMA locking:	Bi [mm]	Width Index	Standard	Part No. full set KMA pivoting:	Part No. full set KMA locking:	Bi [mm]
05.	▶	E4. R4. 320.05 . [*] .12.C	E4. R4. 321.05 . [*] .12.C	50	212.	▶	E4. - 320.212 . [*] .12.C	E4. - 321.212 . [*] .12.C	212
06.	▶	E4. - 320.06 . [*] .12.C	E4. - 321.06 . [*] .12.C	68	23.	▶	E4. - 320.23 . [*] .12.C	E4. - 321.23 . [*] .12.C	225
07.	▶	E4. R4. 320.07 . [*] .12.C	E4. R4. 321.07 . [*] .12.C	75	237.	▶	E4. - 320.237 . [*] .12.C	E4. - 321.237 . [*] .12.C	237
087.	▶	E4. - 320.087 . [*] .12.C	E4. - 321.087 . [*] .12.C	87	25.	▶	E4. R4. 320.25 . [*] .12.C	E4. R4. 321.25 . [*] .12.C	250
09.	▶	E4. - 320.097 . [*] .12.C	E4. - 321.09 . [*] .12.C	97	262.	▶	E4. - 320.262 . [*] .12.C	E4. - 321.262 . [*] .12.C	262
10.	▶	E4. R4. 320.10 . [*] .12.C	E4. R4. 321.10 . [*] .12.C	100	28.	▶	E4. - 320.28 . [*] .12.C	E4. - 321.28 . [*] .12.C	275
11.	▶	E4. R4. 320.11 . [*] .12.C	E4. R4. 321.11 . [*] .12.C	108	29.	▶	E4. - 320.29 . [*] .12.C	E4. - 321.29 . [*] .12.C	287
112.	▶	E4. - 320.112 . [*] .12.C	E4. - 321.112 . [*] .12.C	112	30.	▶	E4. R4. 320.30 . [*] .12.C	E4. R4. 321.30 . [*] .12.C	300
12.	▶	E4. R4. 320.12 . [*] .12.C	E4. R4. 321.12 . [*] .12.C	125	312.	▶	E4. - 320.312 . [*] .12.C	E4. - 321.312 . [*] .12.C	312
137.	▶	E4. - 320.137 . [*] .12.C	E4. - 321.137 . [*] .12.C	137	325.	▶	E4. - 320.325 . [*] .12.C	E4. - 321.325 . [*] .12.C	325
15.	▶	E4. R4. 320.15 . [*] .12.C	E4. R4. 321.15 . [*] .12.C	150	337.	▶	E4. - 320.337 . [*] .12.C	E4. - 321.337 . [*] .12.C	337
162.	▶	E4. - 320.162 . [*] .12.C	E4. - 321.162 . [*] .12.C	162	350.	▶	E4. - 320.350 . [*] .12.C	E4. - 321.350 . [*] .12.C	350
17.	▶	E4. R4. 320.17 . [*] .12.C	E4. R4. 321.17 . [*] .12.C	168	362.	▶	E4. - 320.362 . [*] .12.C	E4. - 321.362 . [*] .12.C	362
18.	▶	E4. - 320.18 . [*] .12.C	E4. - 321.18 . [*] .12.C	175	375.	▶	E4. - 320.375 . [*] .12.C	E4. - 321.375 . [*] .12.C	375
187.	▶	E4. - 320.187 . [*] .12.C	E4. - 321.187 . [*] .12.C	187	387.	▶	E4. - 320.387 . [*] .12.C	E4. - 321.387 . [*] .12.C	387
20.	▶	E4. R4. 320.20 . [*] .12.C	E4. R4. 321.20 . [*] .12.C	200	400.	▶	E4. - 320.400 . [*] .12.C	E4. - 321.400 . [*] .12.C	400

Note*: The E4.1 may end with either an inner or an outer side link. An outer side link always forms the first e-chain® link at the moving end. The Part No. depend on an even or odd numbers of links. Please insert: Index **1** (for odd) or **2** (for even). For the **preassembled** mode please add index **A**.



E4.320.30.2.12.CA Part No. structure

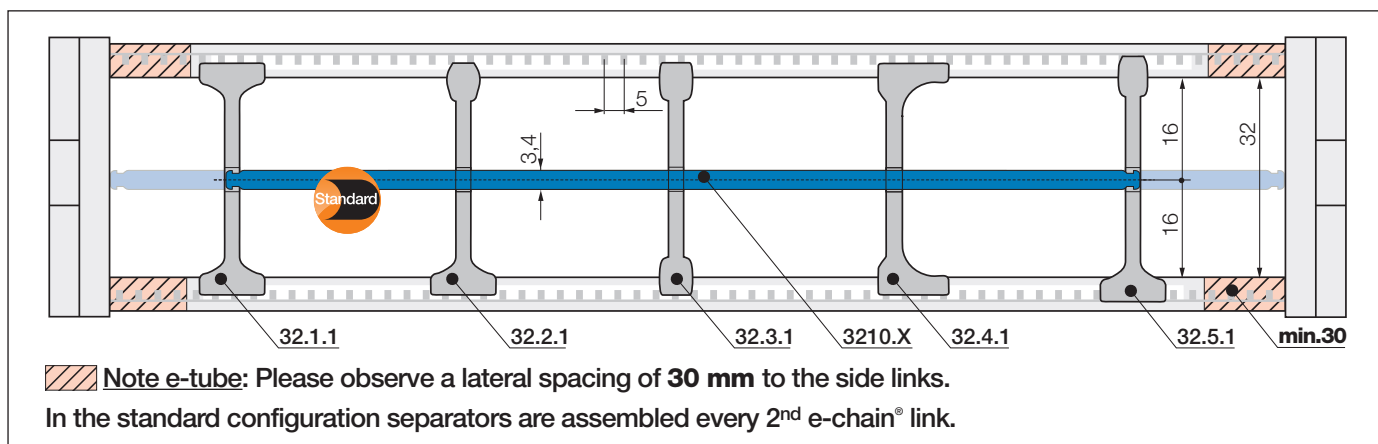

- A... must be indicated on preassembled configurations
- C-profile option
- Full set
- Even numbers of links
- Width index
- Series

Strain relief e.g. clamps, tiewrap plates, nuggets and plug-in clips are available from stock. The complete chainfix range with order options ▶ from page 656

E4.1 | Series E4.32 | Accessories

Interior separation | New generation

Previous interior separation with optional elements ► www.igus.eu/E4.32





Standard separator, wide base

unassembled	32.1
assembled	32.1.1

Standard - for all applications

Separator with a wide base for maximum locking strength and safe standing in e-chains® and e-tubes.




Separator for QuickLock crossbar

unassembled	32.2
assembled	32.2.1

For even faster installation

Separator for igus® QuickLock crossbar 385.X.Q. Firm hold to one side with a wide base, narrow on opposed side for easy cable assembly (slight grip). For e-tubes also.




Separator, narrow base

unassembled	32.3
assembled	32.3.1

For many thin cables

Separator with a narrow base for a large number of thin cables side by side. Saves space in e-chains® and e-tubes. Also available for QuickLock crossbars.




Separator, asymmetrical

unassembled	32.4
assembled	32.4.1

For side-mounted applications

Asymmetrical separator, for defined distance. No additional spacers necessary for e-chains® and e-tubes.




Notch separator for notch crossbar

unassembled	32.5
assembled	32.5.1

Locks safely in 5 mm increments

Notch separator for exact positioning in e-chains®. Recommended for side-mounted applications.



Full-width shelf, lockable

unassembled	3200.X
assembled	3210.X

Horizontal separation

Shelf locks safely into separators on both ends, fixed width possible. Separators can be moved freely over the shelf in horizontal direction. Can be used at one height.

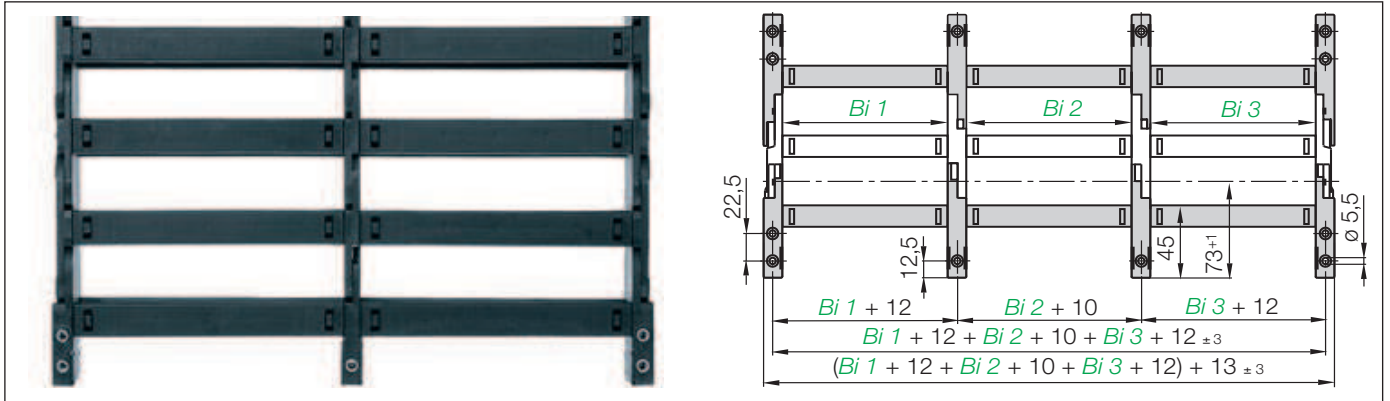
Lockable full-width shelves



Width X [mm]	unassembled	assembled	Width X [mm]	unassembled	assembled	Width X [mm]	unassembled	assembled
050	3200.050	3210.050	125	3200.125	3210.125	225	3200.225	3210.225
075	3200.075	3210.075	150	3200.150	3210.150	250	3200.250	3210.250
100	3200.100	3210.100	175	3200.175	3210.175			
115	3200.115	3210.115	200	3200.200	3210.200			

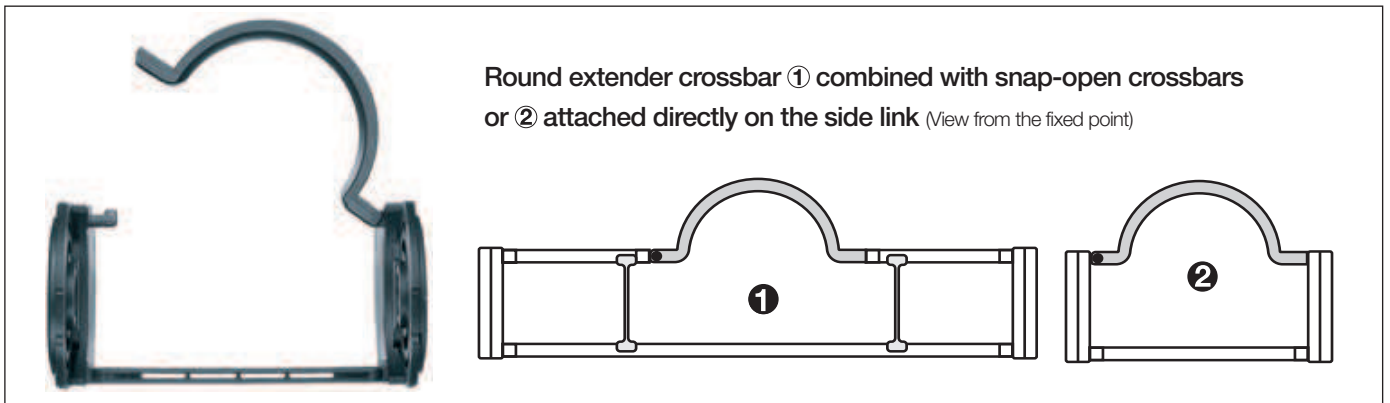
E4.1 | Series E4.32 | Further Accessories

Extension links | Extender crossbars



Extension links | For extremely wide e-chains® up to 3,0 m

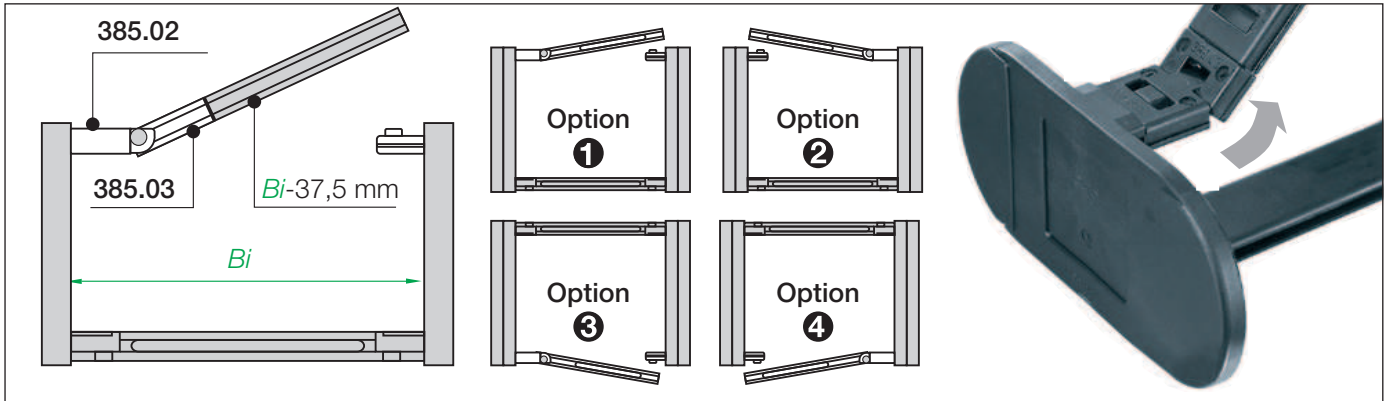
- Virtually limitless side-by-side attachment for high fill weights necessitate extremely wide e-chains® (up to 3000 mm)
- The unsupported length FL_G max. can be increased when additional loads are required



Extender crossbars | Safe guiding for large hoses

- Suitable for hoses with a maximum outer diameter of 245 mm
- Gliding with crossbars assembled along outer radius and a special guide trough
- Extender crossbar ① for snap-open crossbars or ② attached directly on the side link

Part No. single part	Max Ø [mm] hose	Form	② Installation on side link	① Combination with snap-open crossbars
385.15.RHD115	105	O round	no	yes
385.18.RD115	105	O round	yes	no



Hinged crossbars | When snap-open crossbars have to remain attached

- Please consult igus® for design assistance
- Hinged crossbar: Part No. 385.02
- Snap-open crossbar (shortened): $Bi-37,5$ mm Part No. 385.03 (smallest inner width $Bi = 87,5$)

Optional: **Support tray tool kit.**

For support of the lower run.

Simple one-piece support trays according to your requirements and specification.
The complete range with order options ► from page 740



Many e-chains® are used in this customized CNC-machine for the woodworking industry