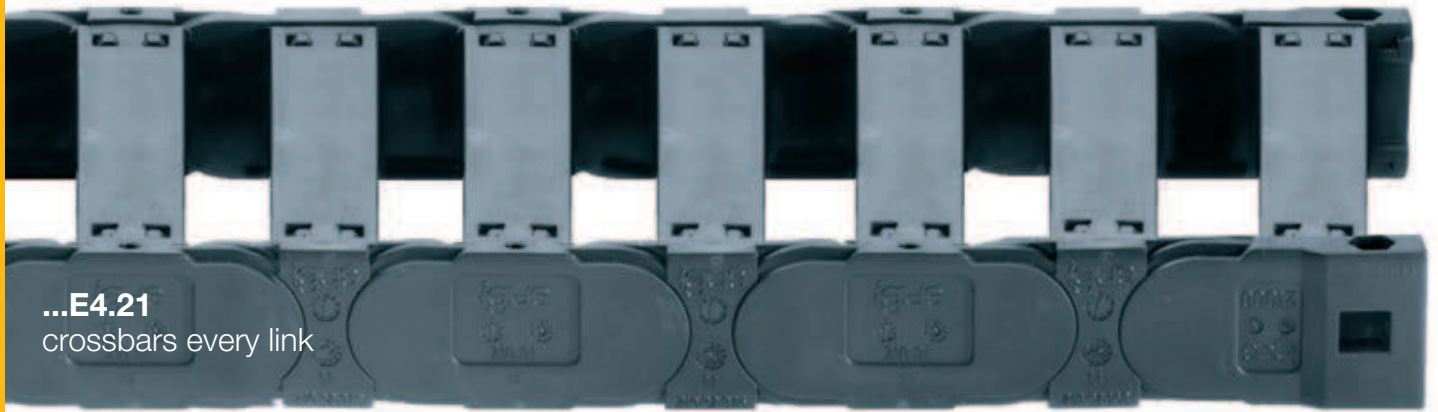


E4.1 | Series E4.21 | Delivery program

Stable due to undercut design, small inner height



e-chains® | Series E4.21 crossbars every link (crossbars removable along both radii)

Part No. e-chains®	<i>Bi</i> [mm]	<i>Ba</i> [mm]	E4.21 [kg/m]	Part No. e-chains®	<i>Bi</i> [mm]	<i>Ba</i> [mm]	E4.21 [kg/m]
E4.21.030.R.0	30	44	≈ 0,60	E4.21.090.R.0	90	104	≈ 0,82
E4.21.040.R.0	40	54	≈ 0,64	E4.21.100.R.0	100	114	≈ 0,85
E4.21.050.R.0	50	64	≈ 0,67	E4.21.110.R.0	110	124	≈ 0,89
E4.21.060.R.0	60	74	≈ 0,71	E4.21.120.R.0	120	134	≈ 0,92
E4.21.070.R.0	70	84	≈ 0,74	E4.21.140.R.0	140	154	≈ 0,99
E4.21.080.R.0	80	94	≈ 0,78				

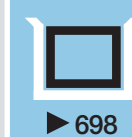
Available bending radii *R* [mm] 038 | 048 | 063 | 075 | 100 | 150 | 200

Supplement Part No. with required radius (*R*). Example:

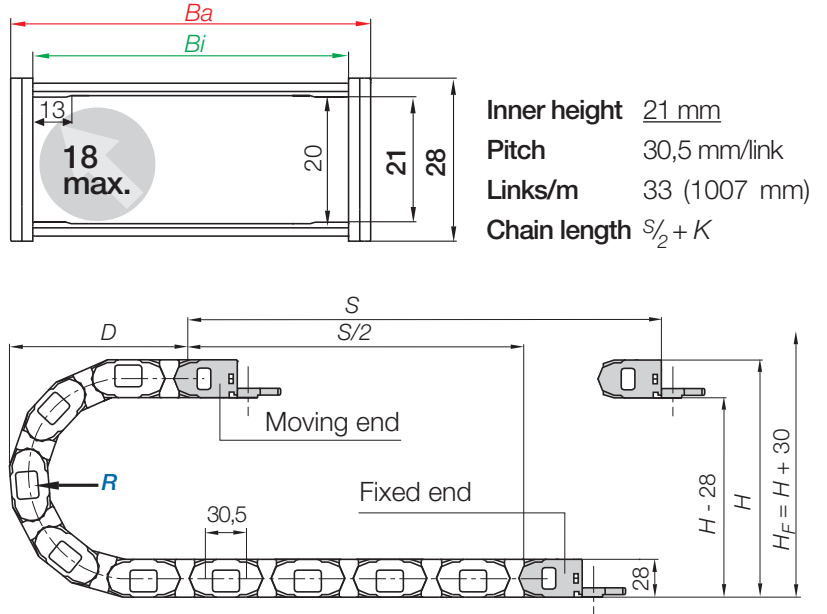
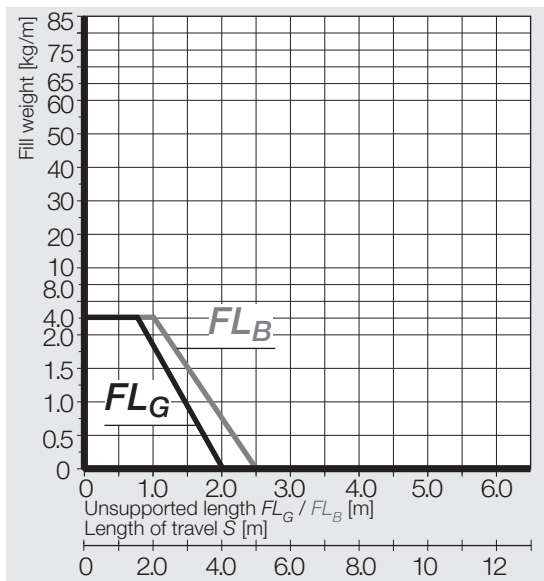
E4.21.120.100.0 = e-chain® with crossbars every link, inner width *Bi* 120 mm, radius *R* 100 mm, color black



ESD/ATEX permanently conductive e-chains® - E4.21 several widths with delivery from stock:
Inner widths *Bi* 30 - 70, radii *R* 48 - 100. Full ESD delivery program ► www.igus.eu/ESD



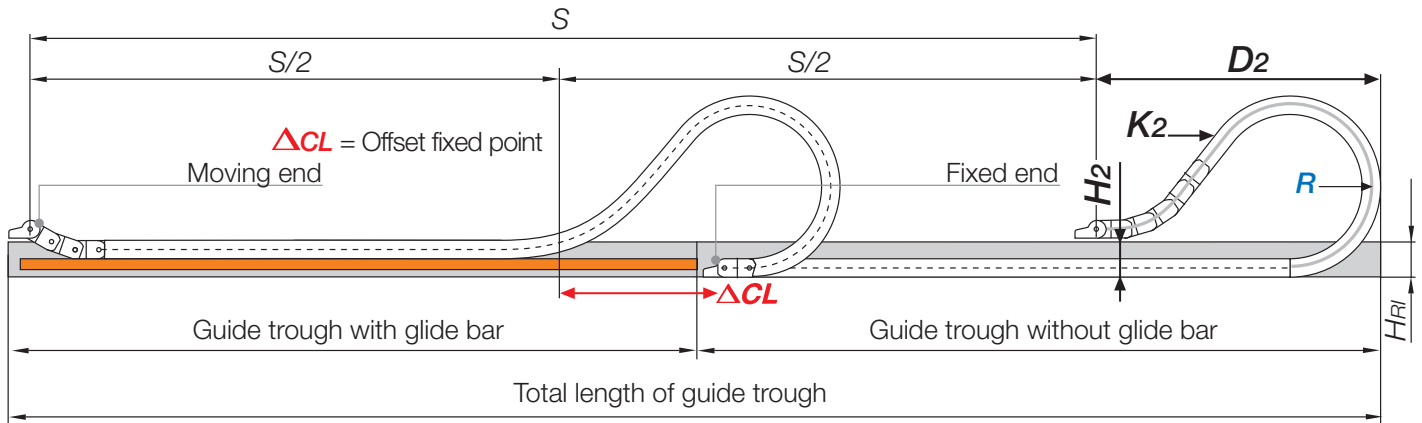
Unsupported applications | Short travels



R	038	048	063	075	100	150	200
H	104	124	154	178	228	328	428
D	98	108	123	135	160	210	260
K	185	215	260	300	380	535	690

The required clearance height: $H_F = H + 30$ mm (with 1,5 kg/m fill weight)

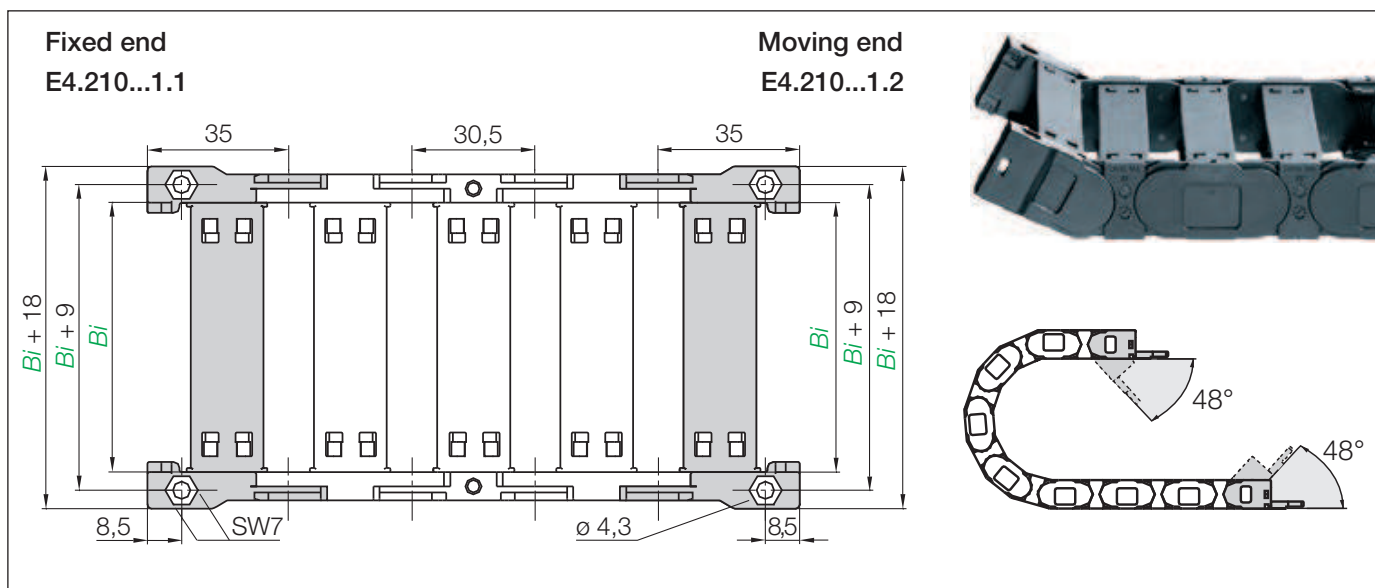
Gliding applications | Long travels from 10 m to max. 120 m



Note: For long travel applications we recommend to realize the engineering of such a plant by our technicians.

In case of travels between 4 and 10 m we recommend a longer unsupported length. Chain length $S/2 + K_2$

R	038	048	063	075	100	150	200
H_2	76	96	126	152	135	135	135
D_2^{+25}	085	095	110	120	490	530	665
K_2	185	215	260	300	782	920	1104
ΔCL	-	-	-	-	270	370	470

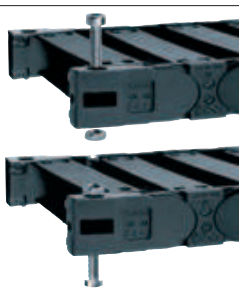


KMA pivoting | Recommended for unsupported and gliding applications

Width Index	Part No. full set KMA pivoting:	<i>Bi</i> [mm]	Width Index	Part No. full set KMA pivoting:	<i>Bi</i> [mm]
030.	E4.210. 030.1.12	30	090.	E4.210. 090.1.12	90
040.	E4.210. 040.1.12	40	100.	E4.210. 100.1.12	100
050.	E4.210. 050.1.12	50	110.	E4.210. 110.1.12	110
060.	E4.210. 060.1.12	60	120.	E4.210. 120.1.12	120
070.	E4.210. 070.1.12	70	140.	E4.210. 140.1.12	140
080.	E4.210. 080.1.12	80			

Special feature mounting brackets - E4.21

- Special design of the counterbore as hexagon - the inlay of the nut (M4) and the counterboring of the hexagon socket head screw (M4), is consequently possible
- **Note:** E4.21 mounting brackets with attachment points on all sides always need to end with an inner plate (odd number of links). For the **preassembled** mode please add index **A**.



E4.210.120.1.12 A Part No. structure

A...must be indicated on preassembled configurations

Full set

Odd numbers of links

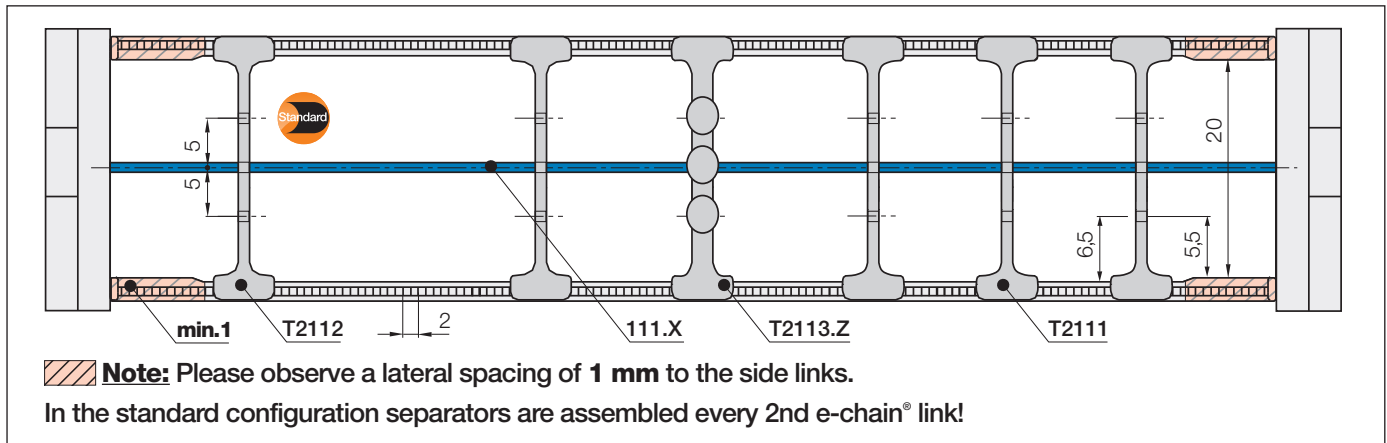

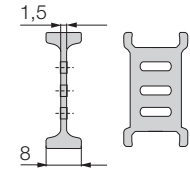
Width index

Series



Strain relief e.g. clamps, tiwrap plates, nuggets and plug-in clips are available from stock. The complete chainfix range with order options ► from page 656


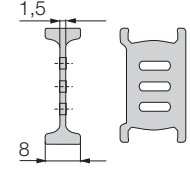
Interior separation

Separator for e-chains®
unassembled **T2102**
assembled **T2112**

Standard separator T2102


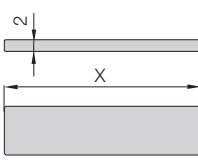
Is used when vertical separation is required. Due to its slot, it allows basic vertical/horizontal shelving arrangements.

Notch separator for e-chains®
unassembled **T2101**
assembled **T2111**

Notch separator T2101

Can be locked in 2 mm increments due to gaps on the crossbars of e-chains®. The separator cannot slide sideways during the operation.

Full-width shelf (30-120 mm)
unassembled **110.X**
assembled **111.X**

Full-width shelf 110.X

This option makes sense in applications with many thin cables with similar diameters. Full-width shelves can be arranged at 3 different heights (in 5 mm increments).

Full-width shelf

Width X [mm]	unassembled	assembled	Width X [mm]	unassembled	assembled	Width X [mm]	unassembled	assembled
030	110.30	111.30	070	110.70	111.70	110	110.110	111.110
040	110.40	111.40	080	110.80	111.80	120	110.120	111.120
050	110.50	111.50	090	110.90	111.90			
060	110.60	111.60	100	110.100	111.100			

Separator with integrated strain relief

Strain relief separator Part No. T2103.Z can be integrated into the mounting bracket and can be placed there at any point of the e-chain®. It combines strain relief and interior separation, it can be installed on the first or last e-chain® link and is easy to assemble without any screws. **More information ► from page 676**



Optional: Support tray tool kit. For support of the lower run.

Simple one-piece support trays according to your requirements and specification.
The complete range with order options ► from page 740

