

The strong all-rounder, easy to open



e-chains® Series E2i.38 Crossbars openable along the inner radius, from both sides  
 e-chains® Series E2.38 Crossbars openable along the outer radius, from both sides

Part No. e-chains® openable along inner radius	Part No. e-chains® openable along outer radius	Bi [mm]	Ba [mm]	R Available bend radii [mm]	E2.38	
					[kg/m]	[kg/m]
E2i.38.050.R.0	E2.38.050.R.0	50	67	063   075   100   125   150   175   200   250	≈ 1.01	≈ 1.01
E2i.38.065.R.0	E2.38.065.R.0	65	82	063   075   100   125   150   175   200   250	≈ 1.08	≈ 1.08
E2i.38.075.R.0	E2.38.075.R.0	75	92	063   075   100   125   150   175   200   250	≈ 1.12	≈ 1.12
E2i.38.090.R.0	E2.38.090.R.0	90	107	063   075   100   125   150   175   200   250	≈ 1.19	≈ 1.19
E2i.38.100.R.0	E2.38.100.R.0	100	117	063   075   100   125   150   175   200   250	≈ 1.22	≈ 1.22
E2i.38.125.R.0	E2.38.125.R.0	125	142	063   075   100   125   150   175   200   250	≈ 1.33	≈ 1.33
E2i.38.150.R.0	E2.38.150.R.0	150	167	063   075   100   125   150   175   200   250	≈ 1.44	≈ 1.44
E2i.38.175.R.0	E2.38.175.R.0	175	192	063   075   100   125   150   175   200   250	≈ 1.55	≈ 1.55

Complete Part No. with required radius (R). Example: E2.38.065.100.0

**Reduce assembly time - E2.1 e-chain® opener**

- igus® e-chain® opener for rapid opening in seconds
  - Reduce opening times from 33 to 2 seconds
  - Open a long e-chain® section in one go
  - Part No. EO.E2.38 available for series E2.38
- More information ► [www.igus.eu/E2.1opener](http://www.igus.eu/E2.1opener)

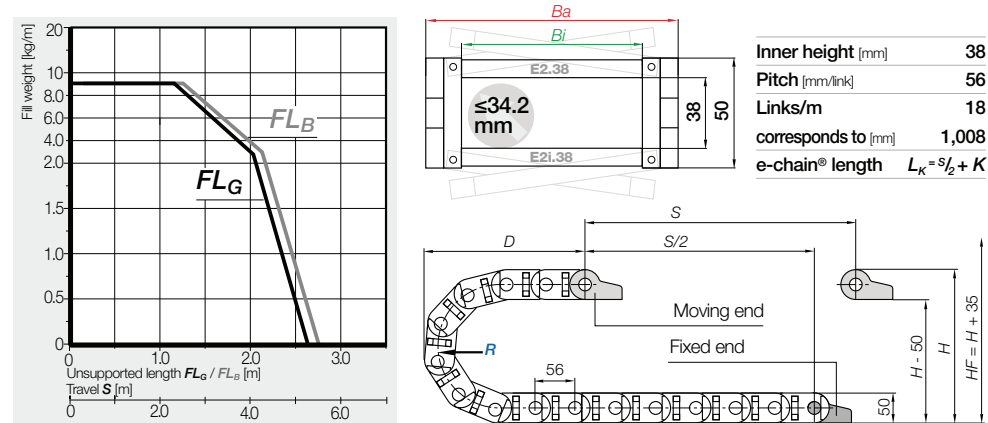


**Aluminium support tray**

- Corrosion-resistant and seawater-resistant aluminium rails with adjustable width
  - Noise-reducing glide strip integrated as standard
  - Easy installation and connection of the e-chain®
  - Open design - dirt and debris fall through
- More information ► From page 1362



Unsupported applications | Short travels

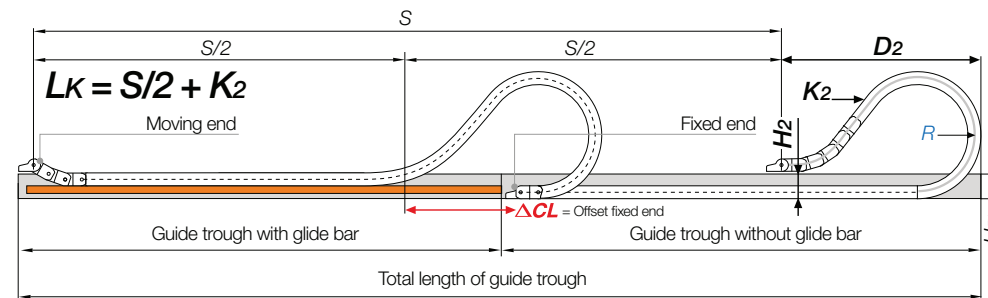


R	063	075	100	125	150	175	200	250
H	176	200	250	300	350	400	450	550
D	172	184	209	234	259	284	309	359
K	310	350	430	505	585	665	745	900

The required clearance height:  $H_F = H + 35\text{mm}$  (with 2.0kg/m fill weight)

Before using series E2i.38 on long travels please consult igus®.

**Gliding applications | For travel lengths 10m to max. 120m**



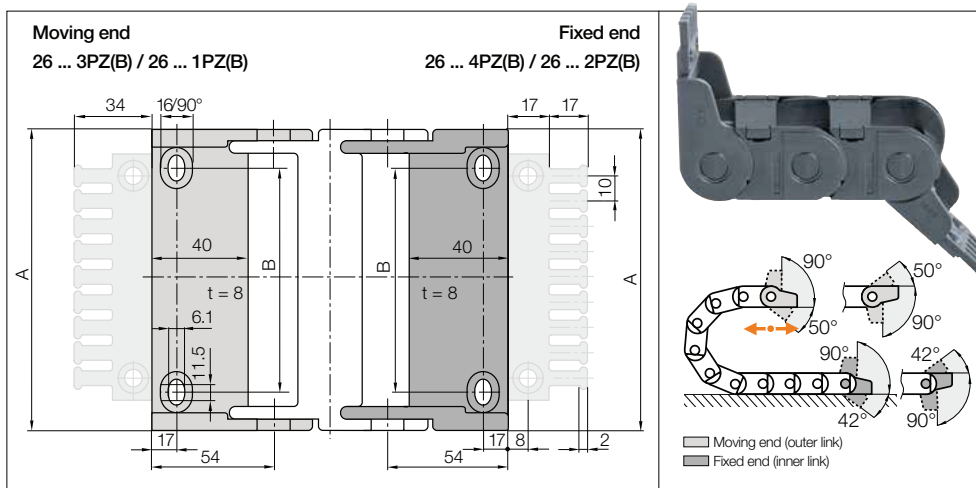
**Note:** Before using series E2i.38 on long travels please consult igus®.

For long travels, igus® recommends series E2.38 openable along the outer radius.

In case of travels between 5 and 10m we recommend an e-chain® with a longer unsupported length.

R	063	075	100	125	150	175	200	250
H <sub>2</sub>	176	200	166	166	166	166	166	166
D <sub>2</sub> <sup>+25</sup>	172	184	395	510	545	700	805	995
K <sub>2</sub>	310	350	616	784	896	1,120	1,288	1,624
ΔCL	-	-	144	244	244	374	464	594

Before using series E2i.38 on long travels please consult igus®.

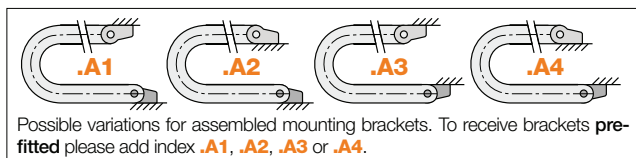


**Polymer pivoting** | Recommended for unsupported and gliding applications  
**Polymer locking** | Recommended for vertical hanging and standing applications

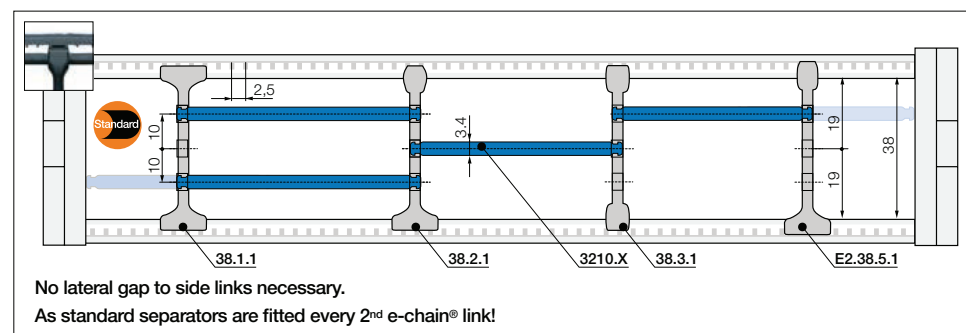
Width index	Part No. full set pivoting		Part No. full set locking		A [mm]	B [mm]	Number of teeth
	with tiwrap plates	without tiwrap plate	with tiwrap plates	without tiwrap plate			
050. ▶	2605.34PZB	2605.34PZ	2605.12PZB	2605.12PZ	68	30	5
065. ▶	2606.34PZB	2606.34PZ	2606.12PZB	2606.12PZ	83	45	5
075. ▶	2607.34PZB	2607.34PZ	2607.12PZB	2607.12PZ	93	55	7
090. ▶	2609.34PZB	2609.34PZ	2609.12PZB	2609.12PZ	108	70	9
100. ▶	2610.34PZB	2610.34PZ	2610.12PZB	2610.12PZ	118	80	10
125. ▶	2612.34PZB	2612.34PZ	2612.12PZB	2612.12PZ	143	105	12
150. ▶	2615.34PZB	2615.34PZ	2615.12PZB	2615.12PZ	168	130	15
175. ▶	2617.34PZB	2617.34PZ	2617.12PZB	2617.12PZ	193	155	17

\*Width available upon request. Please consult igus® for delivery time.

Full set with tiwrap plate + 10 cable tiwraps, please add index **K1**. Example: **2606.34PZBK1**



**Strain relief** e.g. clamps, tiwrap plates, nuggets and clips are available from stock. The complete chainfix range with ordering options ▶ From page 1392



**Standard separator, wide base**

unassembled	<b>38.1</b>
assembled	<b>38.1.1</b>

**Standard - for any application**  
 Separator with a wide base for maximum holding force.

**Separator, narrow top**

unassembled	<b>38.2</b>
assembled	<b>38.2.1</b>

**For even faster installation**  
 Wide on one side for high holding force, narrow on opposite side for easy cable fitting.

**Separator, narrow**

unassembled	<b>38.3</b>
assembled	<b>38.3.1</b>

**For small cables**  
 Separator with a narrow base for a large number of small cables side by side. Saves space.

**Notch separator for notched crossbar**

unassembled	<b>E2.38.5</b>
assembled	<b>E2.38.5.1</b>

**Locks securely in preset increments**  
 Notch separator for exact positioning. Recommended for side-mounted applications.

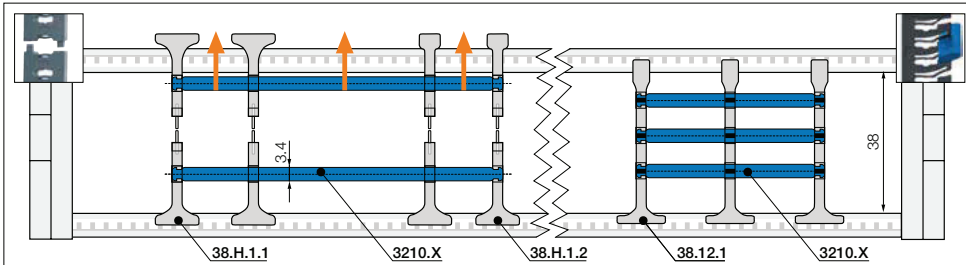
**Shelf, lockable**

unassembled	<b>3200.X</b>
assembled	<b>3210.X</b>

**Horizontal separation**  
 Full-width shelf locks securely into separators at both ends, giving a fixed width. Can be used as full-width or partial shelf.

Shelves Width = X [mm]	X [mm] unassembled		X [mm] assembled		X [mm] unassembled		X [mm] assembled	
	unassembled	assembled	unassembled	assembled	unassembled	assembled	unassembled	assembled
050	3200.050	3210.050	125	3200.125	3210.125	225	3200.225	3210.225
075	3200.075	3210.075	150	3200.150	3210.150	250	3200.250	3210.250
100	3200.100	3210.100	175	3200.175	3210.175			
115	3200.115	3210.115	200	3200.200	3210.200			

Interior separation | To allow faster filling



No lateral gap to side links necessary.  
As standard separators are fitted every 2<sup>nd</sup> e-chain® link!

		<p><b>Split separator, wide base/top</b></p> <p>unassembled <b>38.H.1</b> assembled <b>38.H.1.1</b></p>
		<p><b>Split separator, narrow top</b></p> <p>unassembled <b>38.H.2</b> assembled <b>38.H.2.1</b></p>
		<p><b>Lean separator<sup>1)</sup></b></p> <p>unassembled <b>38.12</b> assembled <b>38.12.1</b></p>

**Split separators**

In order to fill e-chains® more easily and effectively, these separators can be split in the middle. This allows easier access to middle shelf partitions. Fast assembly and easy retrofit. 2 types available: with wide or narrow top.

**Lean separators<sup>1)</sup>**

For quick fitting of shelves in several layers.

**1) Note: Please combine maximum 4 lean separators with one shelf. Not suitable for side-mounted e-chains®!**

With the lean separator you can quickly insert several layers of cables into the e-chain® and reduce the installation time by up to 50%<sup>2)</sup>.

<sup>2)</sup> Lean interior separation vs. Standard separator - measured on a 4m long e-chain® fitted with 12 cables in the igus® readychain® factory

