



snapchain

Guide cable bundles
quickly and easily



Advantages of the snapchain series:

- If a small amount of filling is required
- If a cost-effective e-chain® is required
- If easy installation is required
- If a simple solution is required
- For low duty cycles
- Various fastening options



When to use another e-chain® series:

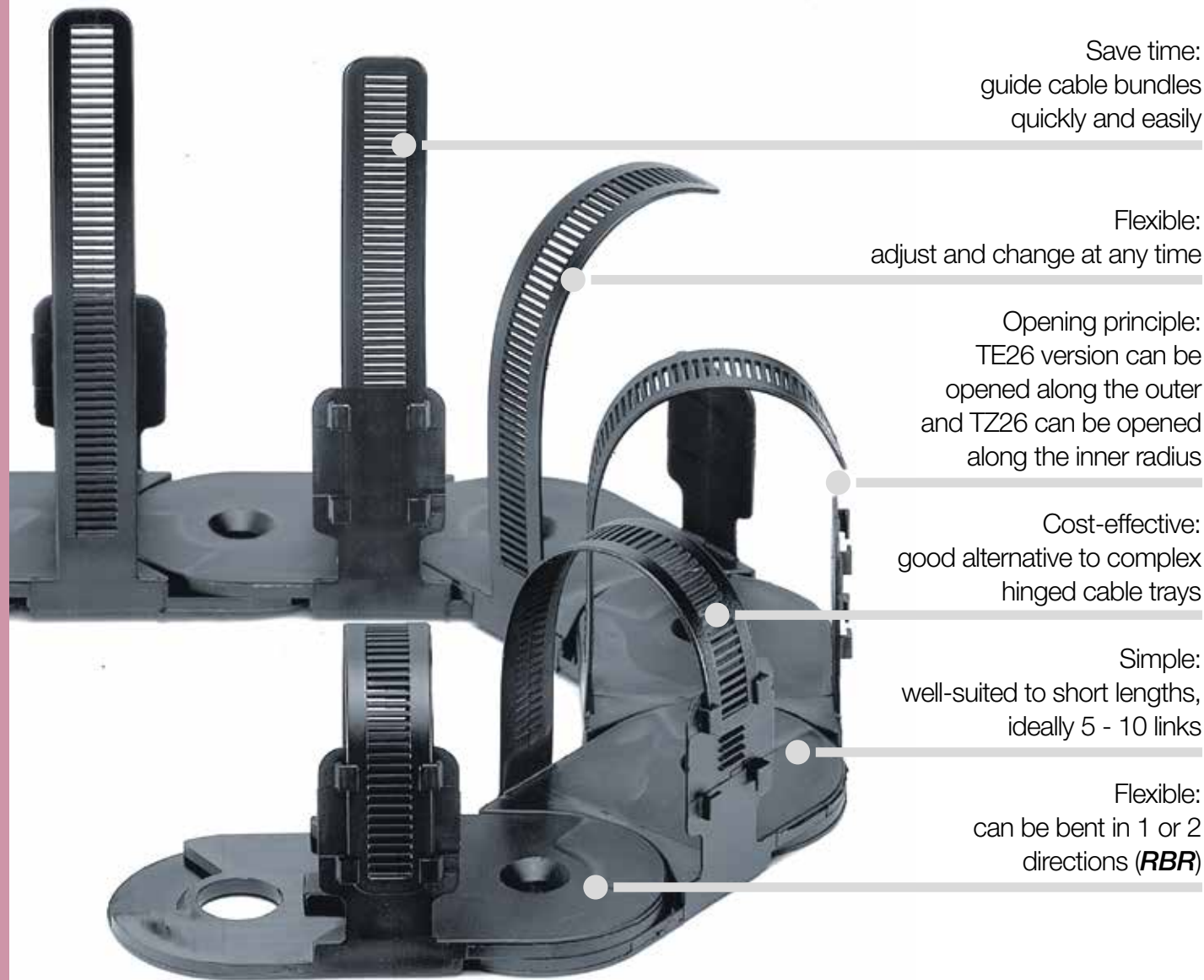
- For higher fill weights
 - ▶ **easy chain®**, page 212
 - ▶ **zipper**, page 240
- When easy filling with connectorised cables is required
 - ▶ **easy chain®**, page 212



product
design
award

2002





Save time:
guide cable bundles
quickly and easily

Flexible:
adjust and change at any time

Opening principle:
TE26 version can be
opened along the outer
and TZ26 can be opened
along the inner radius

Cost-effective:
good alternative to complex
hinged cable trays

Simple:
well-suited to short lengths,
ideally 5 - 10 links

Flexible:
can be bent in 1 or 2
directions (**RBR**)

Guide cable bundles quickly and easily - snapchain

igus® snapchain cost-effective e-chains® for simple filling. snapchains are easy to assemble and cost-effective. If a simple solution for low duty cycles is required.

Typical industries and applications

- Switch cabinet construction
- Electrical equipment
- Computer cabinets
- Office furniture
- cables are moved infrequently



Series	Loop length [mm]	Pitch [mm]	Bend radius <i>R</i> [mm]	Page
--------	---------------------	---------------	------------------------------	------



Version TE -
loops openable along the outer radius

Version TZ -
loops openable along the inner radius

TE14.50	50	30.5	028 - 125	192
TE26.120	120	56	063 - 200	193
TZ14.50	50	30.5	028 - 125	192
TZ26.120	120	56	063 - 200	193

Ready to ship in 3 weeks.*

*Average time before the ordered goods are dispatched.

Technical data

e-chain® material - permitted temperature °C, igumid NB	-40°C / +80°C
Flammability class, igumid NB	VDE 0304 IIC UL94-V2

Order example | Order key and colour examples | Examples based on series TE26

Order example for complete e-chain® (1.0m), colour black, with mounting brackets and interior separation:

e-chain® (1.0m) Please indicate e-chain® length or number of links **TE26.120.100.0**

Order text: 1m TE26.120.100.0

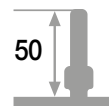
Order key

"TE" - split crossbar along outer radius	TE26.120.100.0
"TZ" - split crossbar along the inner radius	TZ26.120.100.0
Version "TE" or "TZ"	
Series / Type	
Length of loops	
Bend radius <i>R</i>	
Colour index (standard black)	

Order index for colour options

Colour	Order index	Colour	Order index
Black	Standard .0	Orange	Special colour .2
Silver-grey	Special colour .31	Yellow	Special colour .4
White	Special colour .1	Light grey	Special colour .14
Grey-white	Special colour .1S		

Black e-chains® ready to ship in 24 - 48hrs.*
Above special colours upon request.



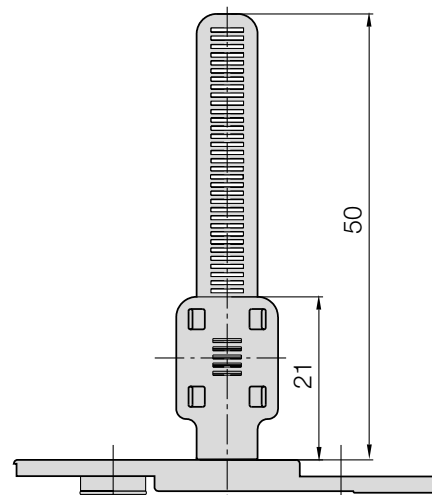
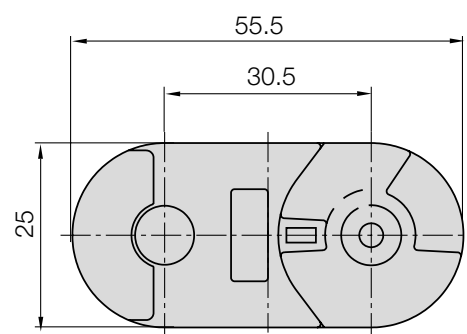
Version TE | Series TE14 | Loops open along the outer radius
Version TZ | Series TZ14 | Loops open along the inner radius

Part No.	Part No.	R Available bend radii	Weight
Version TE	Version TZ	[mm]	[kg/m]
TE14.50.R.0 [Ⓢ]	TZ14.50.R.0	028 038 048 075 100 125	≈ 0.15

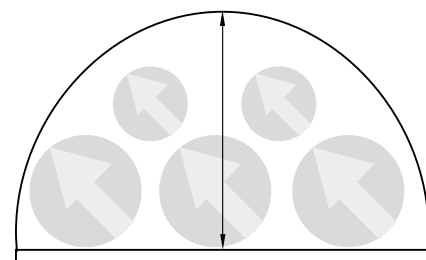
[Ⓢ] RBR version (Reverse Bend Radius), some radii available from stock. More information ▶ From page 130

Complete Part No. with required radius (R). Example: TE14.50.100.0

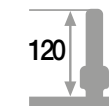
Installation dimensions



Loop length [mm]	50
Pitch [mm/link]	30.5
Links/m	33
corresponds to [mm]	1,006.5
e-chain® length	$L_K = \frac{s}{2} + K$



Cable package max.: 18mm



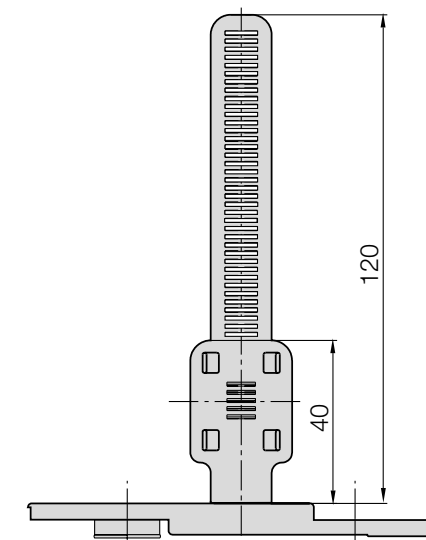
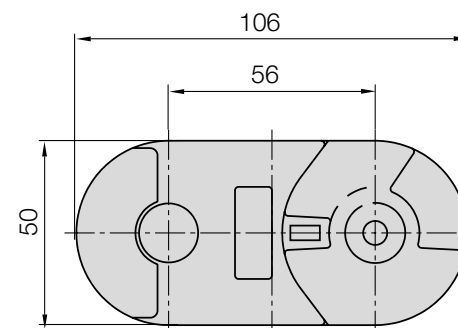
Version TE | Series TE26 | Loops open along the outer radius
Version TZ | Series TZ26 | Loops open along the inner radius

Part No.	Part No.	R Available bend radii	Weight
Version TE	Version TZ	[mm]	[kg/m]
TE26.120.R.0 [Ⓢ]	TZ26.120.R.0	063 075 100 125 150 200	≈ 0.43

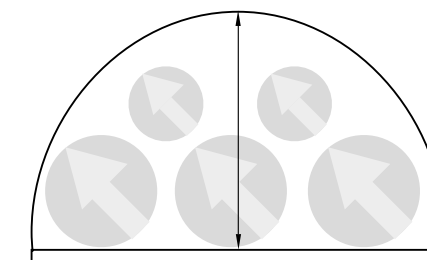
[Ⓢ] RBR version (Reverse Bend Radius), some radii available from stock. More information ▶ From page 130

Complete Part No. with required radius (R). Example: TE26.120.100.0

Installation dimensions



Loop length [mm]	120
Pitch [mm/link]	56
Links/m	18
corresponds to [mm]	1,008
e-chain® length	$L_K = \frac{s}{2} + K$



Cable package max.: 47mm

Rotating energy supply systems with Reverse Bend Radius (RBR) - some radii available from stock

- Maximum rotation angle in minimal installation space
- Minimal friction forces and maximum service life
- Short delivery times, from stock

More information and the complete product range ▶ From page 130





reddot design award
winner 2018

OCR

Award-winning design -
moving energy made
more practical -
OCR office e-chain®

New in this catalogue



Advantages of the OCR office e-chain® series:

- Award-winning design - OCR office e-chain®
- Movable in all axes, round and square versions
- Simply press in or pull out cables with "easy" design
- Mounting brackets with magnets for easy attachment in seconds
- Flexible, locking or both combined



When to use another e-chain® series:

- If a closed outer side (half-tube) is required
 - ▶ office e-chain®, from page 202
- When an unsupported application is required
 - ▶ easy chain®, page 212
- When a small semi-static application is required
 - ▶ E1, page 180

New in this catalogue

Mounting brackets with various attachment options

Can be attached with integrated magnets, adhesive strip or screws.

Magnetic clips: for intermediate attachment of the OCR office chain at any point along its length

Save time: simply press cables in, with "easy" design

Abrasion-optimised: cable-friendly due to smooth interior

Flexible use: the OCR can be locked (compressed) and flexible (extended)

Colours: different colours available upon request

Stylish: reddot design award winner 2018



reddot design award winner 2018

Award-winning design - moving energy made more practical - OCR office e-chain®

Routing cables at home or in the office is often a difficult task. Numerous cables of printers, monitors and other devices need to be organised. With the OCR office e-chain® from igus®, this is done in a flash. The highlight of this e-chain® is that you can implement both movable and locked guides and also combine them if required: e-chains® links extended = flexible, compressed = locking. The mounting brackets can be used to glue the chain on, attach it with screws or secure it in different places with magnets.

The intermediate bracket makes it possible to attach parts of the e-chain® to metal surfaces with metal clips.

- Intermediate bracket can simply be clipped onto the e-chain® at any point.
- Can be attached with integrated magnets, adhesive strip or screws.
- Flexible fitting
- Each OCR e-chain® link can be used either as flexible or locked
- Mounting brackets with magnets for easy attachment
- Different colours upon request
- reddot design award winner 2018

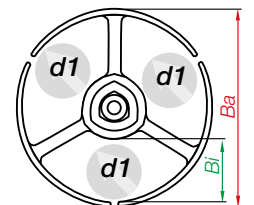
Typical industries and applications

- Office equipment
- Furniture making
- IT systems
- Wherever cables have to be routed neatly.

Series	Inner width <i>Bi</i> [mm]	Outer width <i>Ba</i> [mm]	Number of chambers	Max. cable ø <i>d1</i> [mm]	Pitch ¹⁾ [mm]	Pitch ²⁾ [mm]	Page
--------	-------------------------------	-------------------------------	--------------------	--------------------------------	-----------------------------	-----------------------------	------



OCR office e-chain® flexible, flocked or both with "easy" design - simply push in the cables



OCR.50	3 x 14.5	50	3	13	25	20	200
--------	----------	----	---	----	----	----	-----

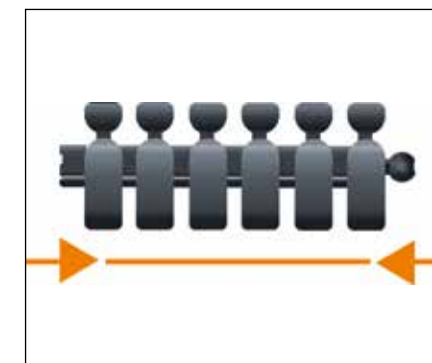
1) when compressed 2) when extended



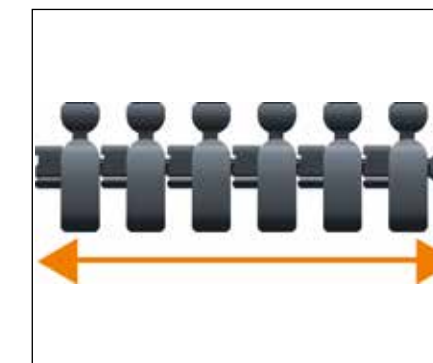
Available from stock. Ready to ship in 24 - 48hrs.*

*Average time before the ordered goods are dispatched.

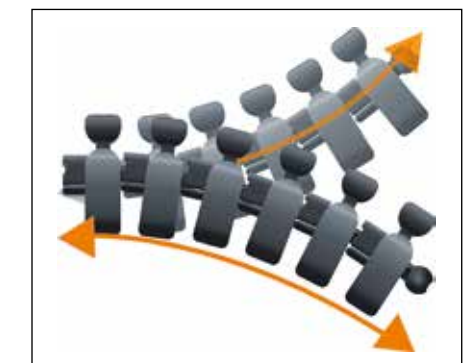
OCR | Design | Features



The OCR is locked when compressed ...



... to extend the OCR cable guide, simply pull it apart ...



... and flexible when extended



The mounting brackets can be glued in place, attached with integrated magnets or ...





... or simply screwed in.



The intermediate bracket makes it possible to attach parts of the e-chain® to metal surfaces with metal clips.

Technical data

 e-chain® material - permitted temperature °C, igumid NB	-40°C / +80°C
Mounting bracket material - permitted temperature °C, igumid NB	-40°C / +80°C
Intermediate bracket material - permitted temperature °C, igumid NB	-40°C / +80°C
 Flammability class, igumid NB	VDE 0304 IIC UL94-HB

Order example | Order key and colour options

 Order example for complete e-chain® (1.0m), colour black, with mounting brackets and intermediate brackets:

e-chain® (1.0m)	Please indicate e-chain® length or number of links: 1.0m or 40 links	OCR.50.0
+ Mounting brackets	1 set	OCR.500.12
+ intermediate bracket	piece, depending on application / customer request*.	OCR.500.3








Order text: 1m OCR.50.0 + OCR.500.12 (+ X piece* OCR.500.3)

 Order key

Split crossbar along the outer radius

OCR.50.0

Order index for colour options

Colour	Order index	Colour	Order index
 Black	Standard .0	 Orange	Special colour .2
 Silver-grey	Special colour .31	 Yellow	Special colour .4
 White	Special colour .1	 Light grey	Special colour .14
 Grey-white	Special colour .1S		

Black e-chains® ready to ship in 24 - 48hrs.*

Above special colours upon request.

Series / Type
Width index (depends on Ba)
Colour index (standard black)

Office chain OCO - design study

The OCO.20 (Office Chain Oval) design study is a simple cable guidance system for office furniture. It is movable in two directions and impresses with its timeless, clear design. It can also be shortened or lengthened and attached very easily.

Upon request, more information ► www.igus.eu/OCR



DESIGN Study



With the OCR office e-chain® that is movable in all axes - create order in the office quickly and easily



When compressed, the e-chains® links are locking and can also be used as unsupported upright links.



Flexible connection options for almost any application

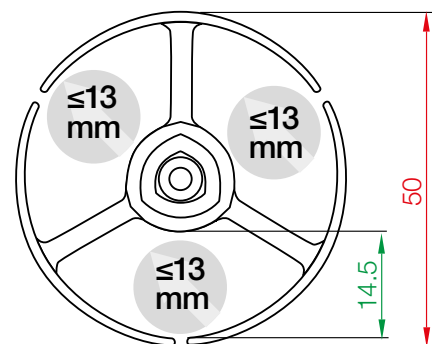


Flexible cable guidance for office and furniture



Series OCR.50 | "easy" design, simply press cables in

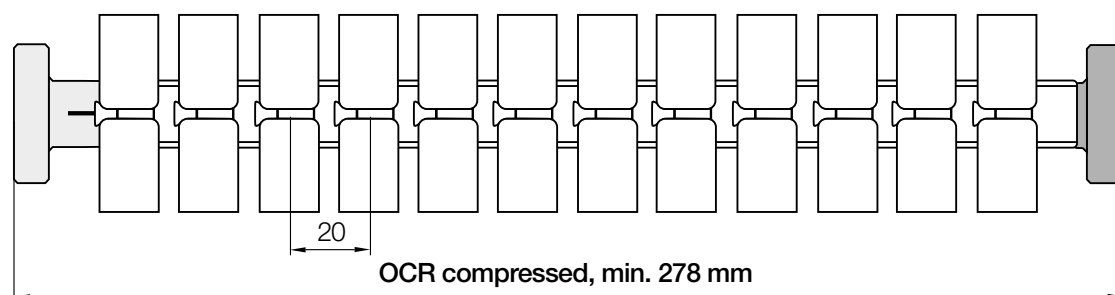
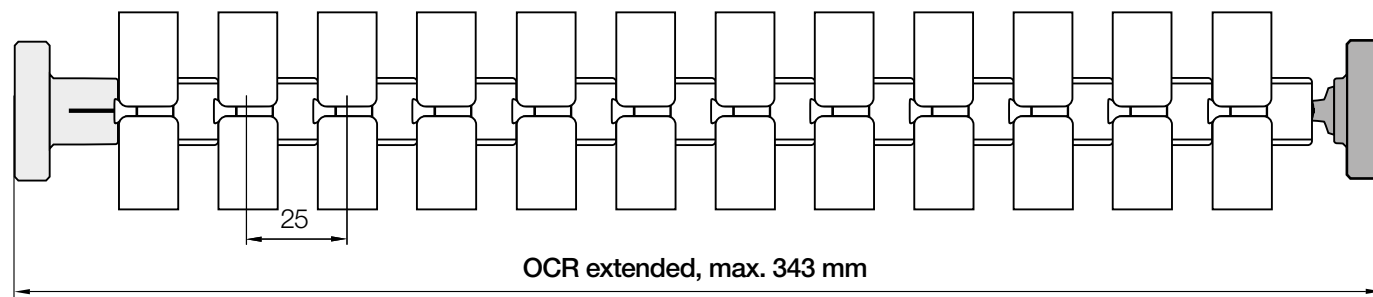
Part No. e-chains®	<i>Bi</i> [mm]	<i>Ba</i> [mm]	Number of chambers	Weight [kg/m]
OCR.50	3 x 14.5	50	3	≈ 0.32



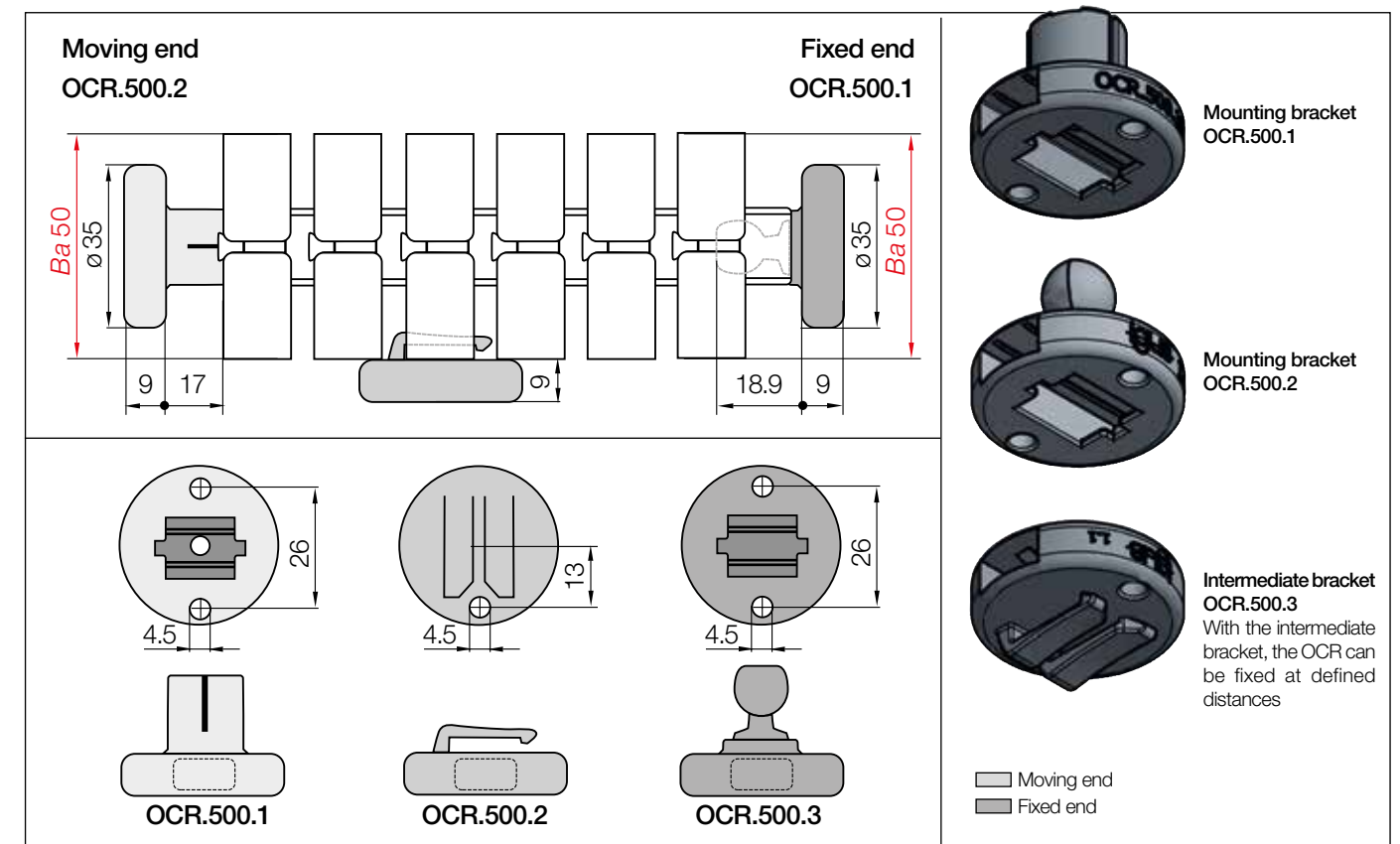
Installation dimensions

OCR extended, flexible		OCR compressed, locked	
Inner height [mm]	14.5	Inner height [mm]	14.5
Pitch [mm/link]	25	Pitch [mm/link]	20
Links/m	40	Links/m	50
corresponds to [mm]	1,000	corresponds to [mm]	1,000

Sample length OCR | With 12 e-chain® links

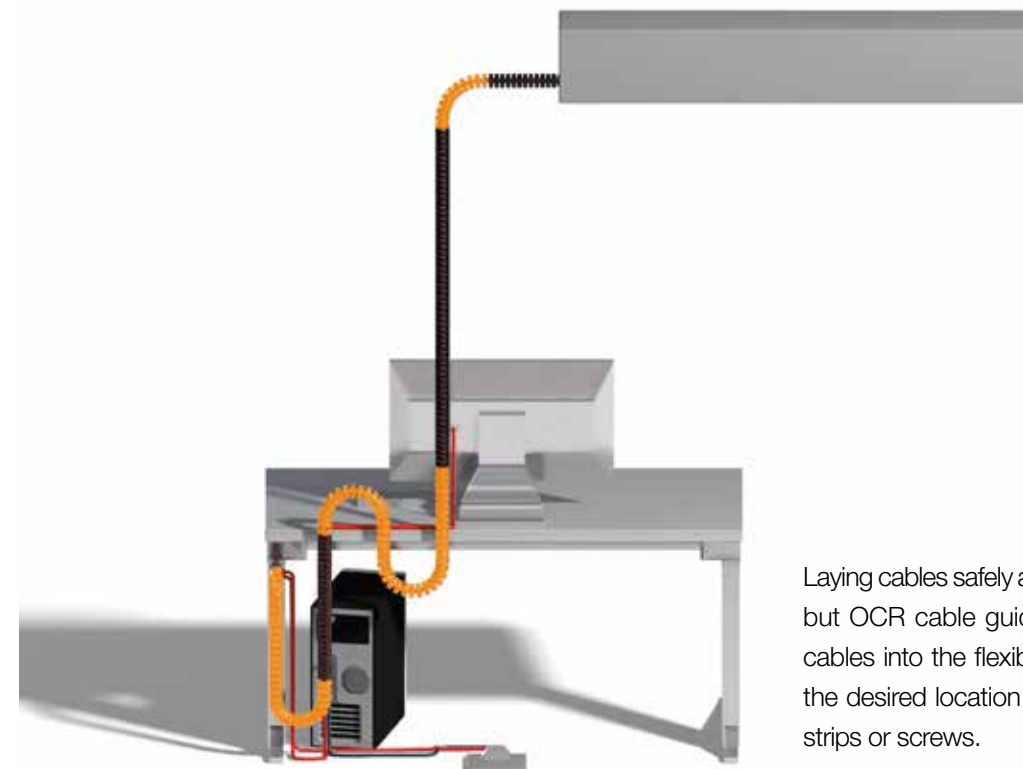


Mounting brackets, polymer with block magnets



Part No. full set	Part No. intermediate link, individual part	∅ [mm]
OCR.500.12	OCR.500.3	35

Intermediate bracket can simply be clipped onto the e-chain® at any point.



Laying cables safely at home or in the office can be a challenge, but OCR cable guidance makes it easy! Simply press the cables into the flexible furniture chain and install the OCR in the desired location using the integrated magnets, adhesive strips or screws.

office e-chain®

Cable guidance for office and furniture



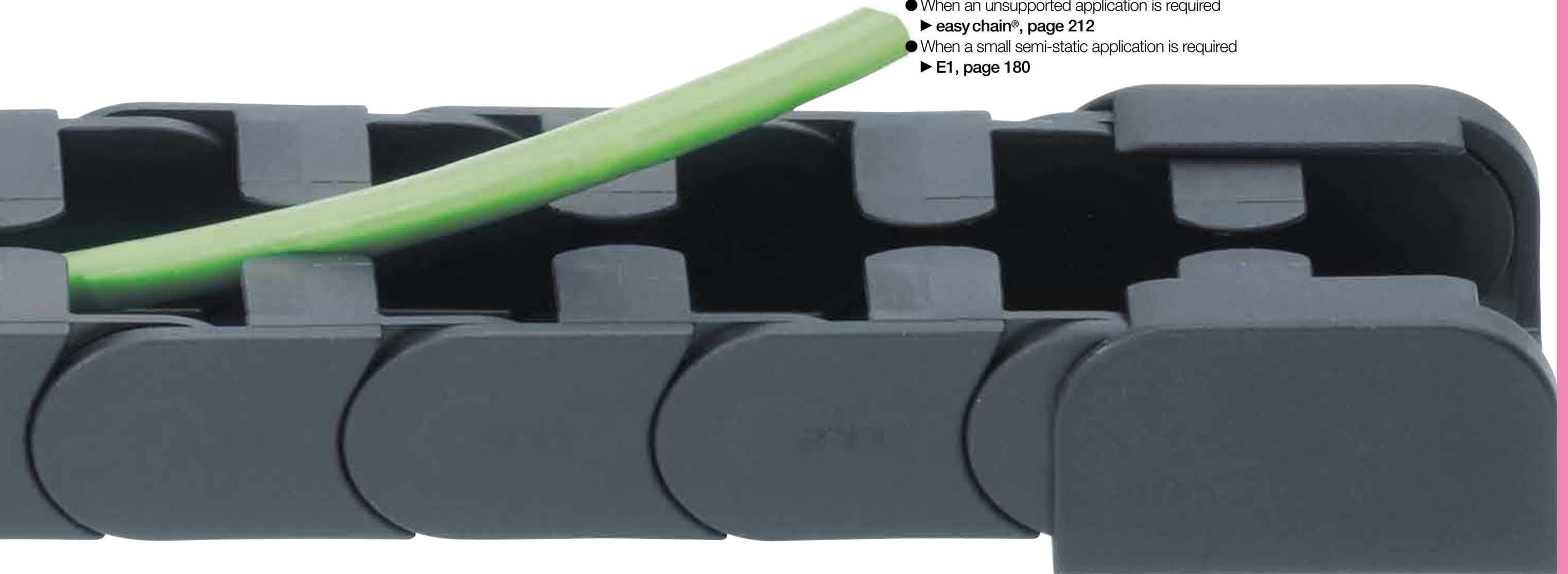
Advantages of the office e-chain® series:

- Aesthetic design
- Closed outer sides (half-tube)
- Easy to fill, even when installed
- Cable-friendly due to smooth interior
- UL94-V2 certified e-chain®
- Mounting brackets can be either screwed or bonded thanks to the large flat surface on the bottom



When to use another e-chain® series:

- When a multi-axis solution is required
 - ▶ **OCR office e-chain®, page 194**
- When an unsupported application is required
 - ▶ **easy chain®, page 212**
- When a small semi-static application is required
 - ▶ **E1, page 180**



Mounting brackets:
the e-chain® is easily
clipped on

Stylishly simple:
designed and developed
especially for the
furniture industry

Save time:
simply press cables in,
with "easy" design

Flammability class:
UL94-V2

Abrasion-optimised:
cable-friendly due
to smooth interior

Protected:
closed on the outside for cable
protection and concealment

Colours:
different colours available
upon request

Cable guidance for office and furniture - office e-chain®

Cables fitted quickly, e-chain® attached quickly, attractive design, nice and tidy. This e-chain® was designed and developed especially for the furniture industry.

- Aesthetic design
- Closed outer sides (half-tube)
- Mounting brackets easy to clip on
- Easy to fill, even when installed with "easy" design
- Cable-friendly due to smooth interior
- UL94-V2 certified
- Mounting brackets can be either screwed or bonded thanks to the large flat surface on the bottom

Typical industries and applications

- Electrically adjustable furniture
- Miscellaneous applications without highly dynamic movements



UL94-V2 classification

Series	Inner height <i>hi</i> [mm]	Inner width <i>Bi</i> [mm]	Outer width <i>Ba</i> [mm]	Outer height <i>ha</i> [mm]	Bend radius <i>R</i> [mm]	Page
ZF14	21	38	46.6	25	028	208

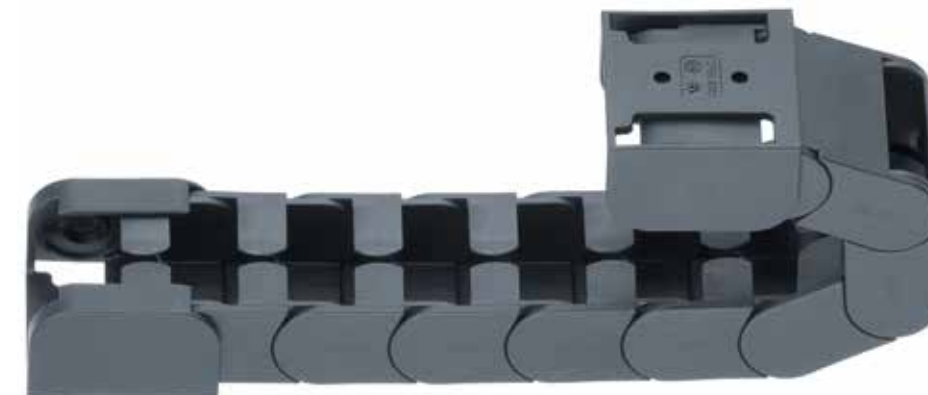


office e-chain®
"easy" design - split crossbar
along the inner radius





Available from stock. Ready to ship in 24 - 48hrs.*

*Average time before the ordered goods are dispatched.




Mounting brackets suitable for moving and fixed ends. e-chain® clips on easily. Small barbs on mounting bracket lock onto the e-chain® opening crossbar.

Technical data

 e-chain® material - permitted temperature °C, igumid NB	-40°C / +80°C
Mounting bracket material - permitted temperature °C, igumid G	-40°C / +120°C
 Flammability class, igumid NB	VDE 0304 IIC UL94-HB
Flammability class, igumid G	VDE 0304 IIC UL94-V2

■ FL_G = unsupported with straight upper run ■ FL_B = unsupported with permitted sag

Order example | Order key and colour options

 Order example for complete e-chain® (1.0m), colour black, with mounting brackets:





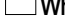


e-chain® (1.0m)	Please indicate e-chain® length or number of links: 1.0m or 33 links	ZF14.038.028.0
Order text:	1m ZF14.038.028.0	

 Order key

Split crossbar along the outer radius

ZF14.038.028.0

Order index for colour options

Colour	Order index	Colour	Order index
 Black	Standard .0	 Orange	Special colour .2
 Silver-grey	Special colour .31	 Yellow	Special colour .4
 White	Special colour .1	 Light grey	Special colour .14
 Grey-white	Special colour .1S		

Black e-chains® ready to ship in 24 - 48hrs.*
Above special colours upon request.

Series / Type
Width index (depends on *B*)
Bend radius *R*
Colour index (standard black)



Manage cables quickly and easily with the office e-chain®, the cable guide for offices and furniture

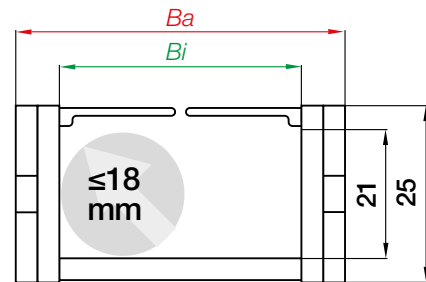


Version ZF14 | "easy" design, split crossbar along the inner radius

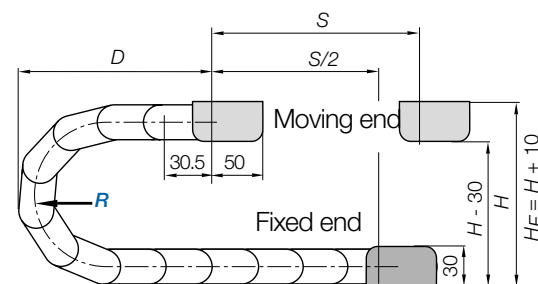
Part No.	<i>Bi</i>	<i>Ba</i>	<i>R</i> Available bend radii	Weight
e-chains®	[mm]	[mm]	[mm]	[kg/m]
ZF14.038.R.0	38	46.6	028	≈ 0.297

Complete Part No. with required radius (*R*). Example: ZF14.038.028.0

Installation dimensions



Inner height [mm]	21
Pitch [mm/link]	30.5
Links/m	33
corresponds to [mm]	1,006.5
e-chain® length	$L_K = \frac{S}{2} + K$



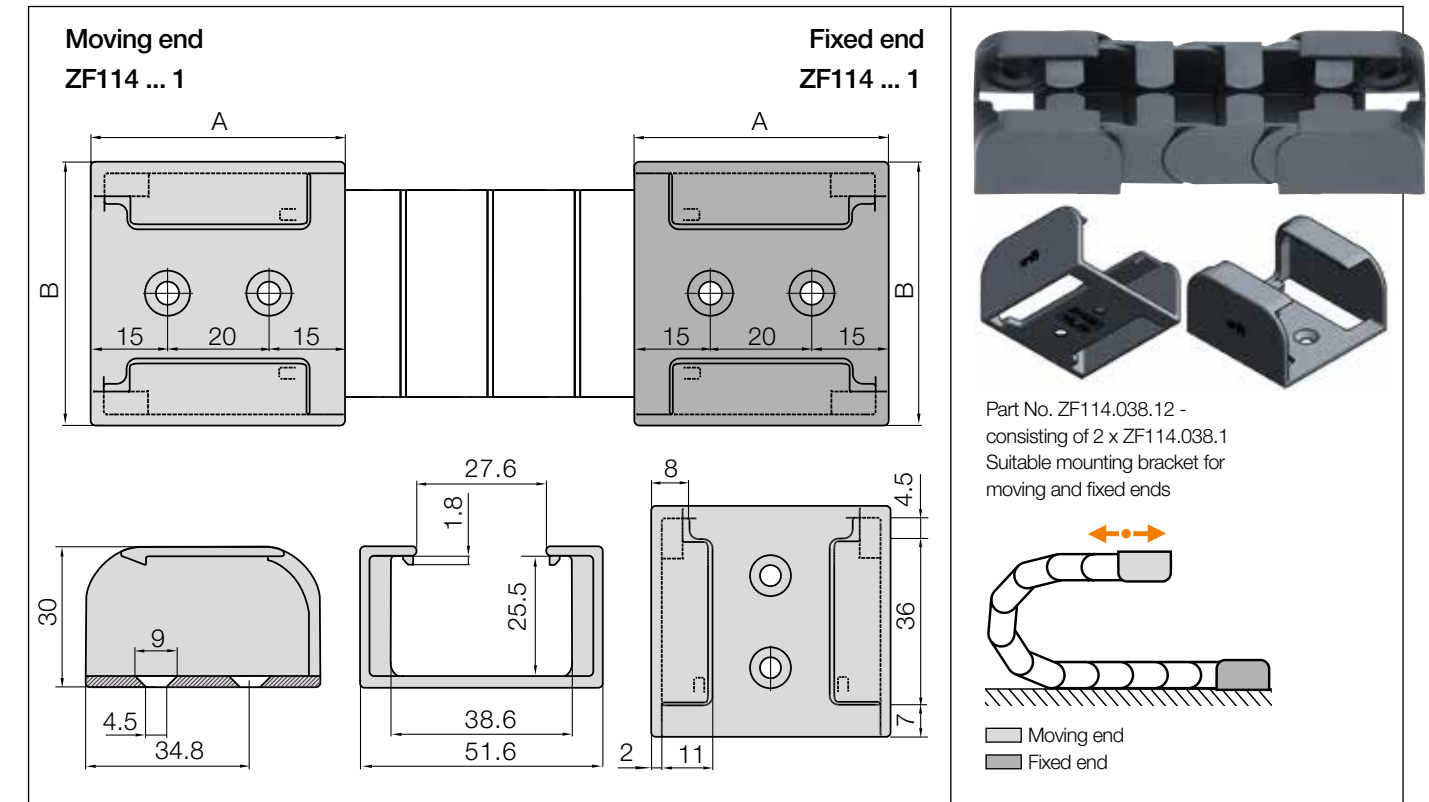
R 028

H+5 86

D 116.5

K 211

The required clearance height: $H_F = H + 10\text{mm}$ (with 0.2kg/m fill weight)



Width index	Part No. full set	A [mm]	B [mm]
038	ZF114.038.12	51.6	50

Suitable mounting bracket for moving and fixed ends