



autoglide

Make savings on long travel distances with self-guiding e-chains®



Advantages autoglide:

- Self-guiding e-chain systems®, without the need for any guide troughs
- Safe, low noise, abrasion-resistant and energy efficient
- Available in three versions
- Travels up to 80m possible
- For travels at speeds up to 4m/s
- Cost-effective solution, guide troughs not required
- Very fast installation times for long travel distances, no guide troughs needed!
- Small widths for limited space

AG5 New
► From page 1266

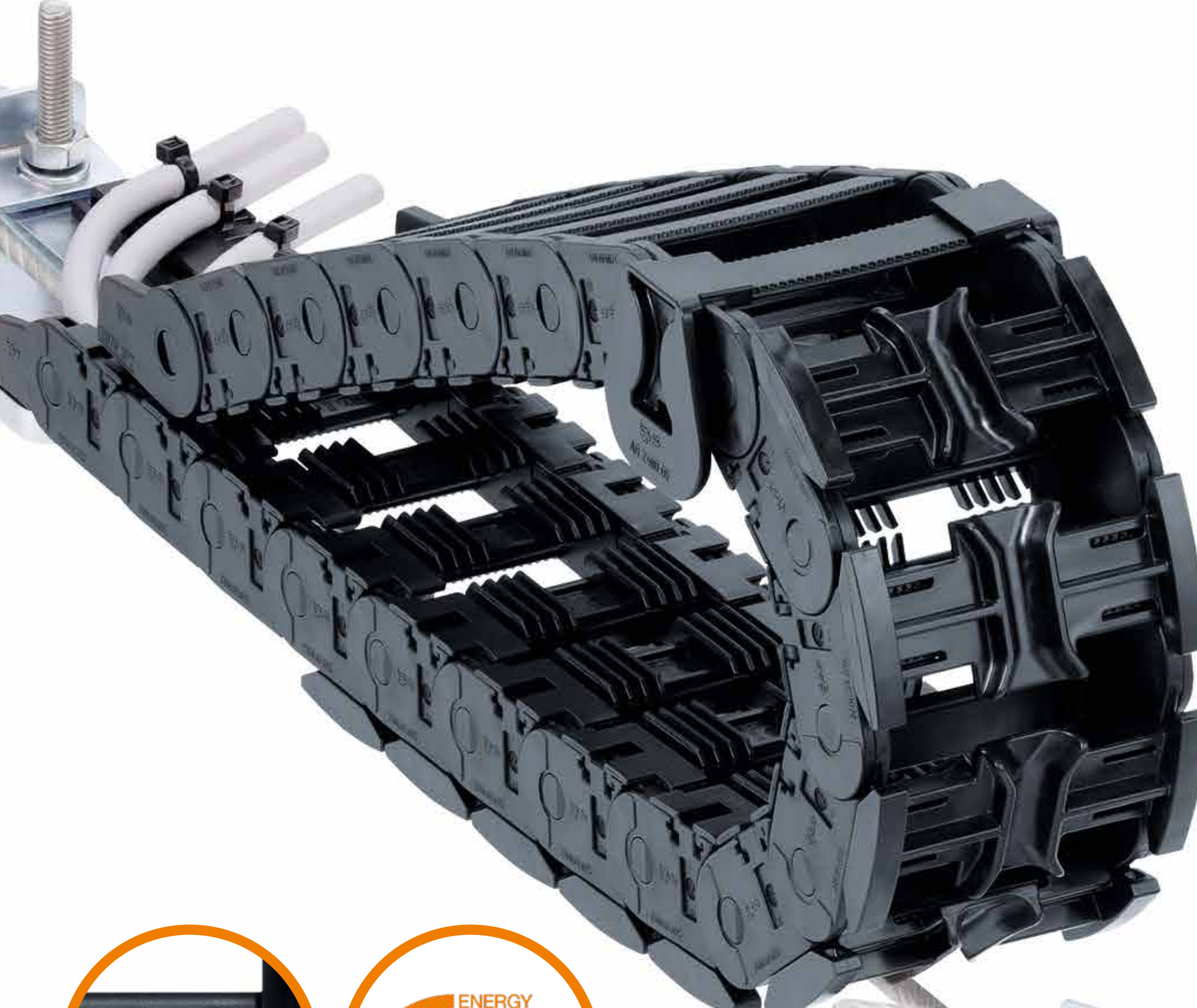


E2/000AG
► From page 1276



E4.1AG
► From page 1282





autoglide 5

Energy and data transmission installed in 1 hour



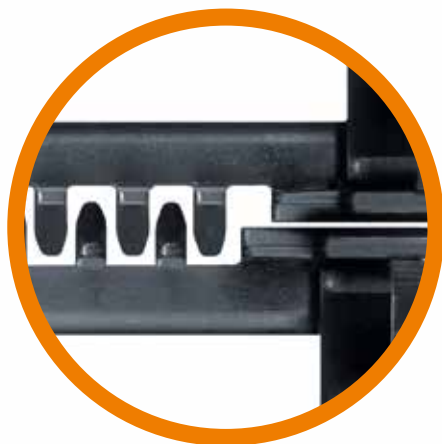
Advantages autoglide 5:

- Can easily be installed in an aisle on a steel rope or profile
- Cost-effective
- 88% less assembly time compared to aluminium guide troughs
- Durable, maintenance-free and easy to clean
- Energy, data, air and liquids in ONE system
- 4m/s speed
- Travel distance up to 80m
- Quiet operation: 63db(A) at 2m/s
- Floor remains free, no guide trough needed
- Available as a harnessed system with cables, hoses and connectors

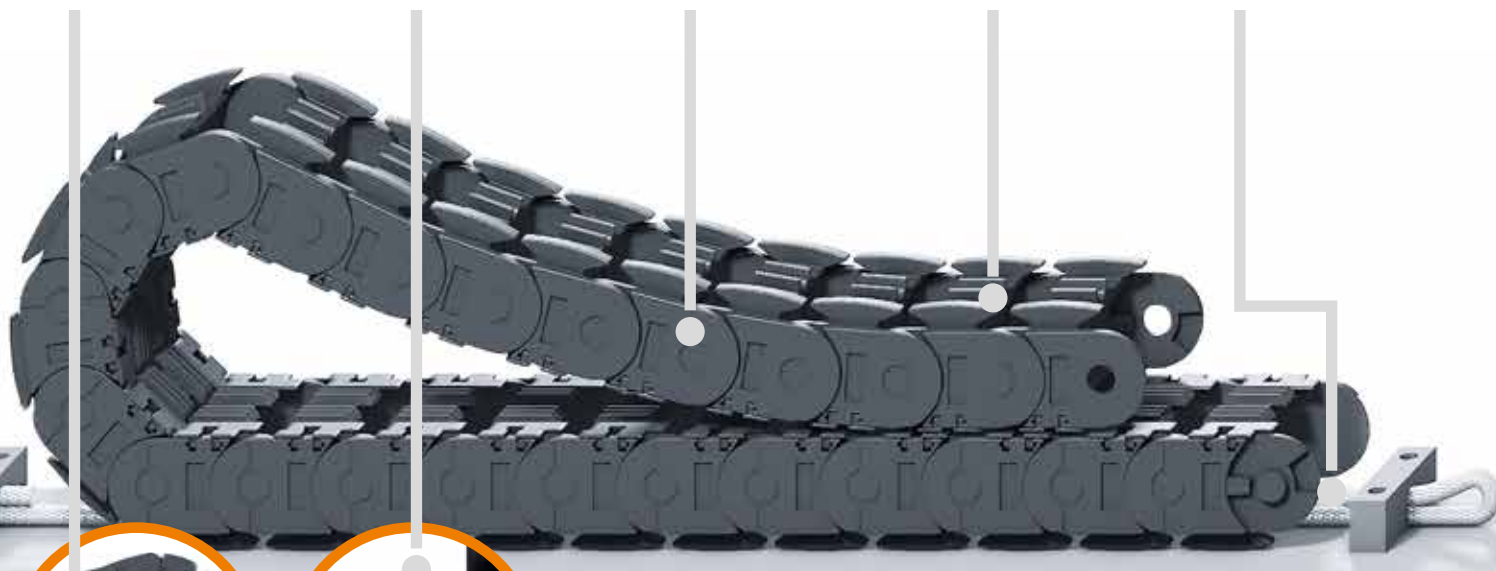


When to use another system:

- When you want a profile-rol e-chain® with which you can reduce energy consumption by up to 57%
 - ▶ P4/P4.1 systems, page 1232
- When you want a strong E4/4 rol e-chain® requiring 75% less drive power
 - ▶ E4/4 rol e-chain®, page 1242



- New design: guide element for steel rope
- Smooth running: offset operation of upper and lower run
- High strength: large pin/bore and crossbar with high locking force
- Secure guidance: combstyle autoglide crossbars
- Stays on track: PVC-jacketed steel rope



Energy and data transmission installed in 1 hour - autoglide 5

autoglide 5 is the alternative to the busbar system - power and data transmission in small spaces. The igus® system autoglide 5 transfers energy, data, fluids and air safely in a single system, is almost maintenance-free and is also very cost-effective

- Can easily be installed in an aisle on a steel rope or profile
- Cost-effective
- 88% less assembly time compared to aluminium guide troughs
- Durable, maintenance-free and easy to clean
- Energy, data, air and liquids in ONE system
- 4m/s speed
- Travel distance up to 80m
- Quiet operation: 63db(A) at 2m/s
- Floor remains free, no guide trough needed
- Available as a harnessed system with cables, hoses and connectors

Typical industries and applications

- Intralogistics ● Crane systems ● Alternative to busbar system ● Storage and retrieval unit ● Mini-loads ● Material handling

Series	Inner height	Inner width	Outer width	Outer height	Bend radius	Travel	Page
Part No.	hi [mm]	Bi [mm]	Ba [mm]	ha [mm]	R [mm]	≤ [m]	
2400AG5 New	25	57 - 77	73 - 93	35	075 - 150*	≤ 80m	1274
2600AG5 New	35	70 - 100	91 - 116	50	075 - 150*	≤ 80m	1275

*Larger bend radii upon request. Please consult igus® for delivery time.

i Systems of this type should be designed in conjunction with our engineering team. Please contact us at ► www.igus.eu/contact

🚚 Available from stock. Ready to ship in 3 - 5 days*
*Average time before the ordered goods are dispatched.



autoglide 5 - self-guiding e-chain®
travels safely on a PVC-jacketed steel cable. Travel lengths up to 80m possible



autoglide 5 - tested in the igus® laboratory and assembled by our customer, Beewen GmbH.

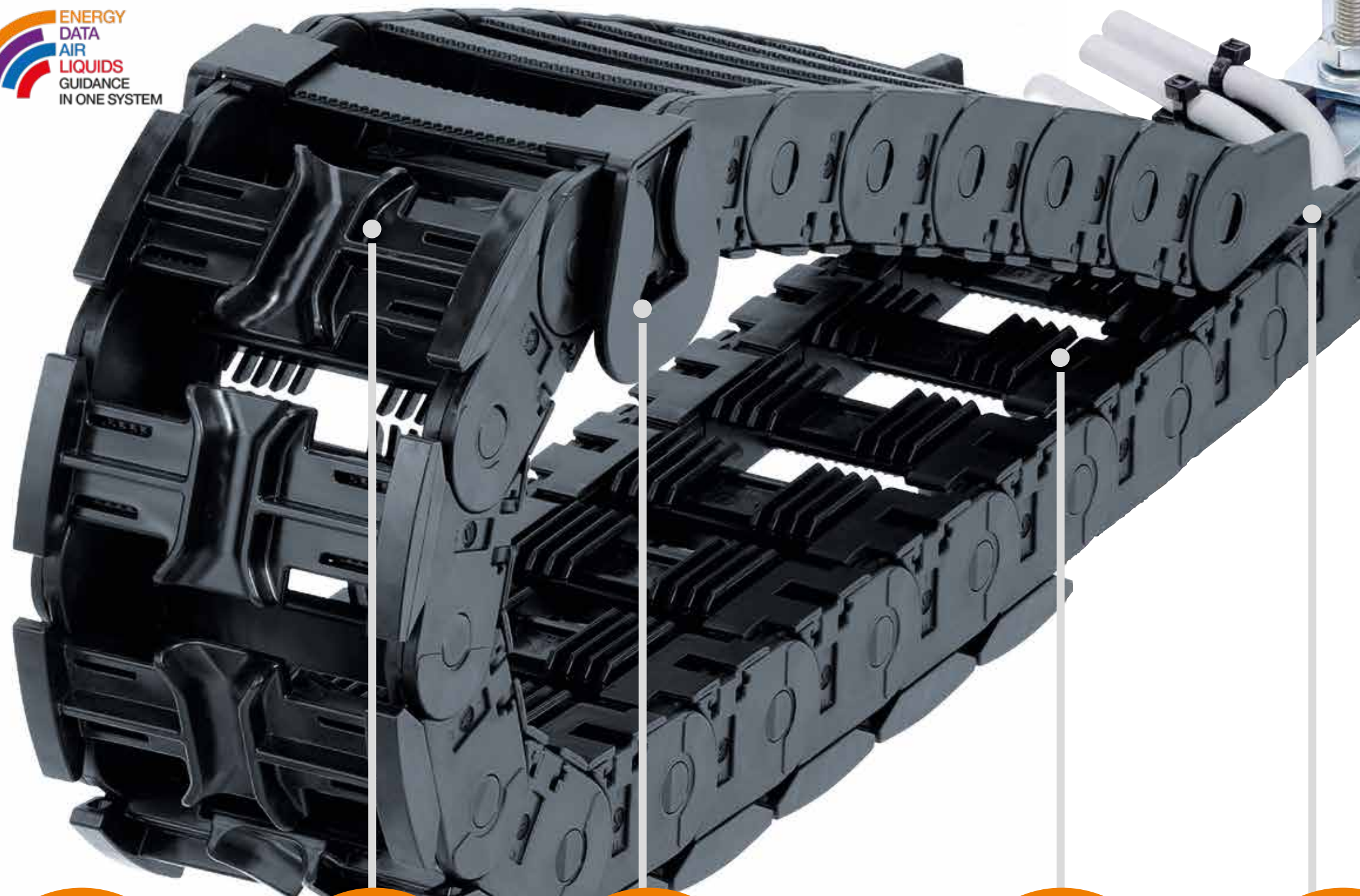
autoglide 5 | Design principle

Energy and data transmission installed in 1 hour



autoglide 5 | Design principle | Proof

Can save two or more other systems needed for transmitting data



How does autoglide 5 work?

The steel rope included is stretched across the floor. Alternatively, guidance via a plastic rope or a profile is also possible. The e-chain® can travel safely on the PVC-jacketed steel rope. The underside of the e-chain® links have a guide element in the middle, so that the energy chain can rest safely on the steel rope. autoglide elements ensure wear-resistant and precise alignment of the upper run of the e-chain®.



Installed in 1 hour ...

88% less assembly time compared to aluminium trough¹⁾ with new cost-effective autoglide 5 energy supply system for intralogistics, crane systems and other applications with long travels. 1) Compared to conventional standard solutions with guide trough, tested installation of approx. 40m travel



Rope tensioning unit for precise tensioning of the PVC-jacketed steel rope



Central guide element, enables safe guidance of autoglide 5



A clip-on glide wing ensures secure e-chain® alignment over the first few metres of travel



Combstyle injection moulded autoglide crossbars prevent the e-chain® from breakage



Very smooth running due to the staggered run of upper and lower run due to the interlocking of the tiwrap plates



Fixed-end module for secure assembly



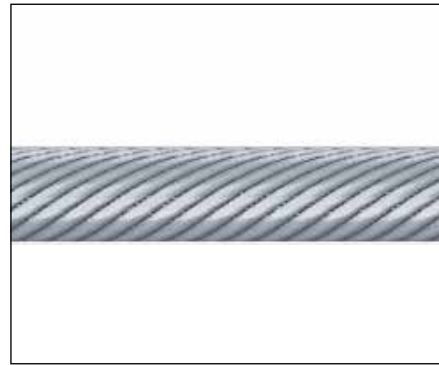
Combstyle autoglide elements for precise alignment of the upper run



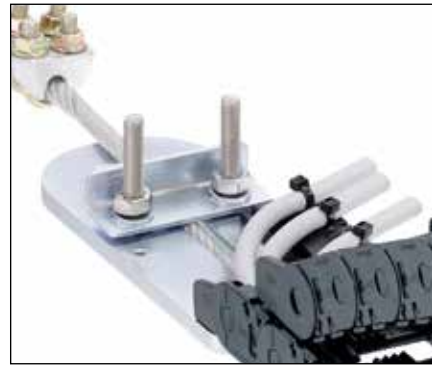
Special autoglide 5 separator available for 2400AG5 series



Plastic mounting brackets with many strain relief options available



PVC-jacketed steel rope \varnothing 10mm available



Fixed-end module for secure and easy assembly

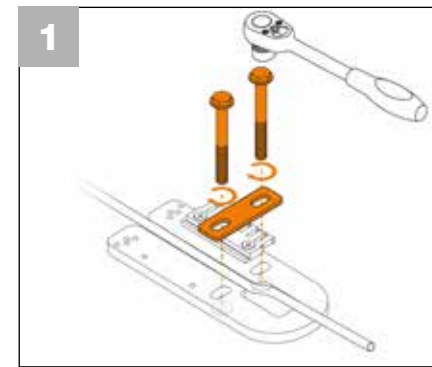


Rope tensioning unit available for exact tensioning

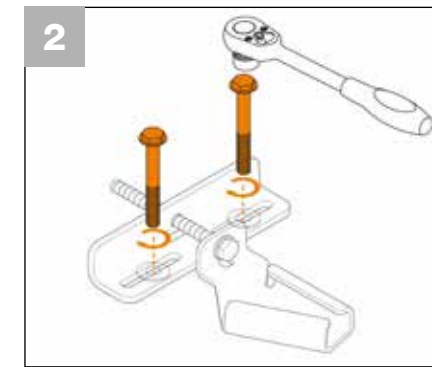
Technical data

	Speed gliding*	≤ 4.0 [m/s]
	Acceleration gliding*	≤ 5.0 [m/s ²]
	Material - permitted temperature °C, igumid G	-40°C / +120°C
	Flammability class, igumid G	VDE 0304 IIC UL94-HB

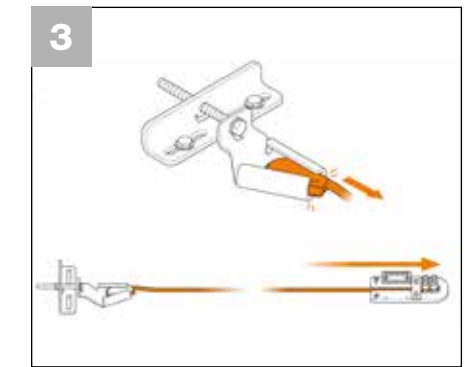
*The values given are maximum values and depend on the travel and fill weight.



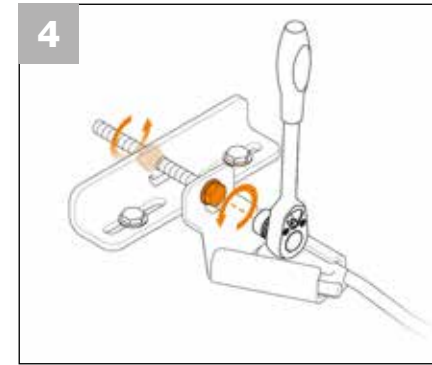
1 The fixed end module is installed at the fixed end of the travel ...



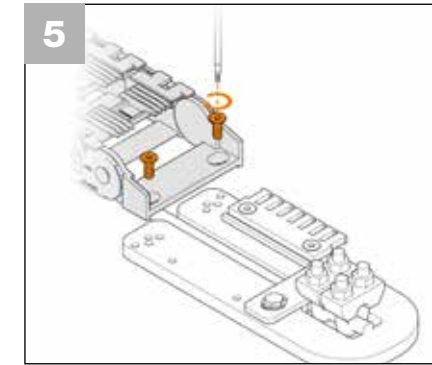
2 the rope tensioning unit is installed at the other end of the travel ...



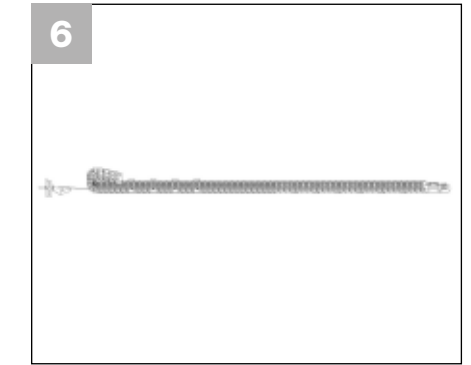
3 insert PVC-jacketed steel rope ...



4 tighten by means of a screw ...

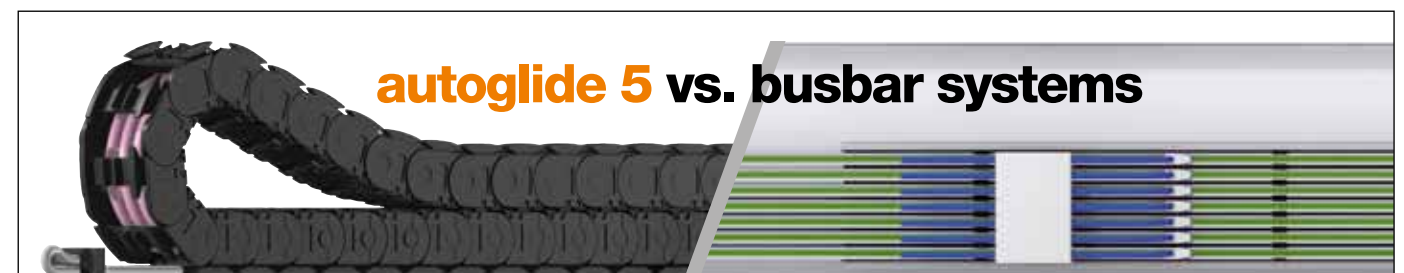


5 assemble the e-chain® ...



6 Done!

Various autoglide 5 videos can be found online
 ► www.igus.eu/autoglide5



igus® autoglide 5 - the alternative to busbars. For power and data transmission in small spaces and for fast movement in aisles

White paper: is autoglide 5 the alternative to busbar systems?

Up to now, many users have been relying on busbars to supply power to indoor and outdoor cranes, electric trains and storage and retrieval units. Price similar to that of a busbar but with advantages in installation, modularity and maintenance: the autoglide 5 combines the best of both worlds. Read more in the white paper "e-chain® with steel-rope guide as an alternative to a busbar?"

Download the white paper ► www.igus.eu/autoglide5





Travel securely on a steel rope - travel lengths up to 80m

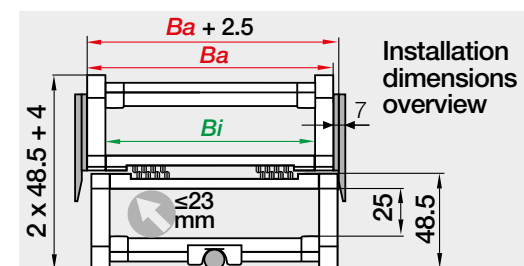


2400AG5

2400AG5 | Crossbars openable along the inner radius, from both sides

Available widths	Bi [mm]	Ba [mm]	R Available bend radii [mm]	2400AG5 [kg/m]	Steel rope AG5.SEIL.10 [kg/m]
2400.05AG5	57	73	075 100 125 150 175* 200* 225* 250*	≈ 1.02	≈ 0.25
2400.07AG5	77	93	075 100 125 150 175* 200* 225* 250*	≈ 1.12	≈ 0.25

*Radius upon request. Please consult igus® for delivery time.

This type of system should be designed in conjunction with our engineering team.

	Inner height e-chain® 25mm
	Pitch per e-chain® link 46mm
	Links per metre 22 pieces

	Outer height e-chain® 48.5mm
	Max. cable diameter Max. ø 23mm
	22 links correspond to 1,012mm

Mounting brackets	Interior separation	Steel rope	Fixed end module	Rope tensioning unit
Plastic mounting brackets with strain relief options	Special autoglide 5 separator AG.25.2 available	PVC-jacketed steel rope ø 10mm available	Fixed-end module for secure assembly available	Rope tensioning unit for exact tensioning

**All information on this page is for guidance only ...**Systems of this type should always be designed in conjunction with our engineering team. Please contact us at ► www.igus.eu/contact

Travel securely on a steel rope - travel lengths up to 80m

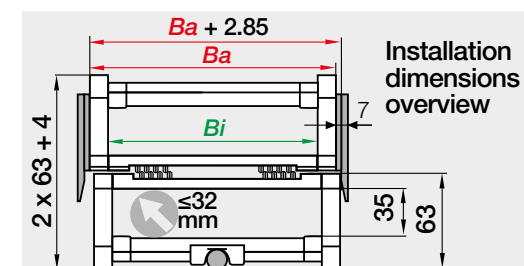


2600AG5

2600AG5 | Crossbars openable along the inner radius, from both sides

Available widths	Bi [mm]	Ba [mm]	R Available bend radii [mm]	2400AG5 [kg/m]	Steel rope AG5.SEIL.10 [kg/m]
2600.07AG5	75	91	075 100 125 150 175* 200* 250*	≈ 1.42	AG5.SEIL.10 ≈ 0.25
2600.10AG5	100	116	075 100 125 150 175* 200* 250*	≈ 1.49	AG5.SEIL.10 ≈ 0.25

*Radius upon request. Please consult igus® for delivery time.

This type of system should be designed in conjunction with our engineering team.

	Inner height e-chain® 35mm
	Pitch per e-chain® link 56mm
	Links per metre 18 pieces

	Outer height e-chain® 63mm
	Max. cable diameter Max. ø 32mm
	18 links correspond to 1,008mm

Mounting brackets	Interior separation	Steel rope	Fixed end module	Rope tensioning unit
Plastic mounting brackets with strain relief options	Cable-friendly interior separations available	PVC-jacketed steel rope ø 10mm available	Fixed-end module for secure assembly available	Rope tensioning unit for exact tensioning

**All information on this page is for guidance only ...**Systems of this type should always be designed in conjunction with our engineering team. Please contact us at ► www.igus.eu/contact



autoglide E2/000AG

Self-guiding e-chains®



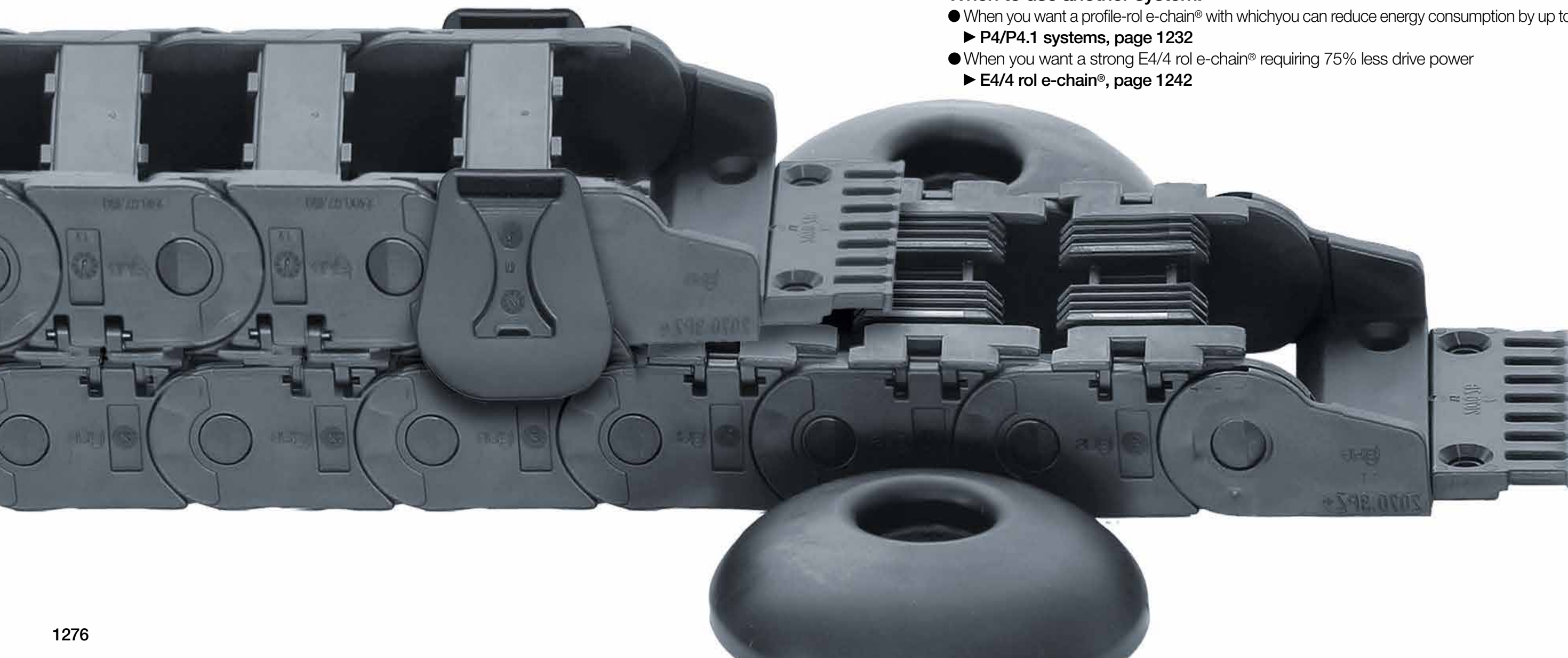
Advantage E2/000AG:

- Travels up to 60m and travel speeds higher than 2.0m/s
- Very compact, avoids troughs forming an obstacle in the working area
- Openable along the inner radius
- Also for "half tube" fully enclosed in the outer radius
- Clip-on glide wings, secure movement of the e-chain®
- Floor guides can be driven over



When to use another system:

- When you want a profile-rol e-chain® with which you can reduce energy consumption by up to 57%
 - ▶ P4/P4.1 systems, page 1232
- When you want a strong E4/4 rol e-chain® requiring 75% less drive power
 - ▶ E4/4 rol e-chain®, page 1242



- Smooth running: offset operation of upper and lower run
- Safely on track: clip-on glide wing holds the e-chain®
- Practical: floor guides can be driven over
- Secure guidance: combstyle autoglide crossbars
- Universal: mounting bracket with strain relief



Self-guiding e-chains® - autoglide E2/000AG

Guide troughs for long travels can be dispensed with when using the autoglide system. Self-guiding e-chains® can glide safely on top of themselves for up to 70 metres. The system has now been extended to the igus® E2/000 and further improved. The autoglide crossbars ensure even longer life. A clip-on glide wing ensures secure e-chain® alignment over the first few metres of travel. The eccentric guides are fastened to the floor every 2 metres.

- Travel lengths up to 60m and travel speeds higher than 2.0m/s
- Very compact, avoids troughs forming an obstacle in the working area
- Quick installation for long travels
- Openable along the inner radius
- Also for "half tube" fully enclosed in the outer radius
- Clip-on glide wings, secure movement of the e-chain®
- Floor guides can be driven over

Typical industries and applications

- Greenhouses ● Storage and retrieval equipments ● Conveyor belts ● Indoor cranes ● Handlings
- And many other long travel applications.

Series Part No.	Inner height <i>hi</i> [mm]	Inner width <i>Bi</i> [mm]	Outer width <i>Ba</i> [mm]	Outer height <i>ha</i> [mm]	Bend radius <i>R</i> [mm]	Travel ≤ [m]	Page
2400AG	25	57 - 77	73 - 93	35	075 - 250	40	1280
2600AG	35	75 - 100	91 - 116	50	075 - 250	60	1281



autoglide E2/000AG - autoglide self-guiding e-chain®
crossbars along the inner radius of the e-chain® fitted with moulded autoglide grooves

i Systems of this type should be designed in conjunction with our engineering team. Please contact us at ► www.igus.eu/contact

🚚 Available from stock. Ready to ship in 3 days*
*Average time before the ordered goods are dispatched.

Technical data

🏃 Speed gliding*	≤ 2.0 [m/s]
Acceleration gliding*	≤ 1.0 [m/s ²]
🌡️ Material - permitted temperature °C, igumid G	-40°C / +120°C
🔥 Flammability class, igumid G	VDE 0304 IIC UL94-HB

*The values given are maximum values and depend on the travel and fill weight.

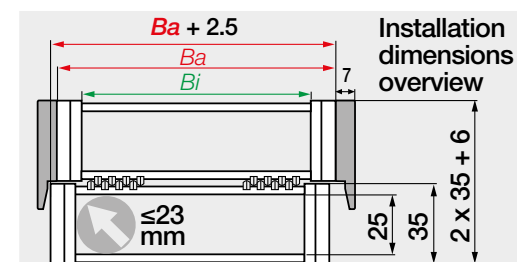


2400AG

2400AG | Crossbars openable along the inner radius, from both sides

Available widths	Bi [mm]	Ba [mm]	R Available bend radii [mm]	2400AG [kg/m]	Glide wing*	Floor guide*
2400.05AG	57	73	075 100 125 150 175 200 225 250	≈ 1.00	AG.2400.OF	AG.380.BF
2400.07AG	77	93	075 100 125 150 175 200 225 250	≈ 1.10	AG.2400.OF	AG.380.BF

*Part No. as an individual part

This type of system should be designed in conjunction with our engineering team.

	Inner height e-chain® 25mm
	Pitch per e-chain® link 46mm
	Links per metre 22 pieces

	Outer height e-chain® 35mm
	Max. cable diameter Max. ø 23mm
	22 links correspond to 1,012mm

Mounting brackets	Interior separation	Glide wing	Floor guide
Pivoting KMA mounting bracket with attachment from any side	Plastic mounting brackets with strain relief options	Steel mounting brackets, pivoting, tough and electrically conductive	Cable-friendly interior separations available
		Glide wing for secure e-chain® alignment	Drive-over plastic floor guides available

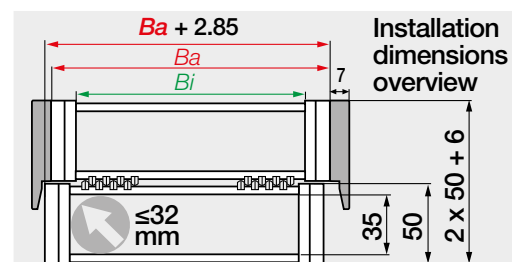
**All information on this page is for guidance only ...**Systems of this type should always be designed in conjunction with our engineering team. Please contact us at ► www.igus.eu/contact

2600AG

2600AG | Crossbars openable along the inner radius, from both sides

Available widths	Bi [mm]	Ba [mm]	R Available bend radii [mm]	2600AG [kg/m]	Glide wing*	Floor guide*
2600.07AG	50	66	075 100 125 150 175 200 250	≈ 1.27	AG.2600.OF	AG.380.BF
2600.10AG	75	91	075 100 125 150 175 200 250	≈ 1.40	AG.2600.OF	AG.380.BF

*Part No. as an individual part

This type of system should be designed in conjunction with our engineering team.

	Inner height e-chain® 35mm
	Pitch per e-chain® link 56mm
	Links per metre 18 pieces

	Outer height e-chain® 50mm
	Max. cable diameter Max. ø 32mm
	18 links correspond to 1,008mm

Mounting brackets	Interior separation	Glide wing	Floor guide
Pivoting KMA mounting bracket with attachment from any side	Plastic mounting brackets with strain relief options	Steel mounting brackets, pivoting, tough and electrically conductive	Cable-friendly interior separations available
		Glide wing for safe e-chain® alignment available	Drive-over plastic floor guides available

**All information on this page is for guidance only ...**Systems of this type should always be designed in conjunction with our engineering team. Please contact us at ► www.igus.eu/contact