



E2 R100

e-tubes for cost-effective protection against dirt and swarf



Advantages of the E2 R100 series:

- High level of protection against swarf (including hot swarf)
- Lids openable along the inner or outer radius, from both sides
- Robust and sealed
- Space-efficient with optimised ratio of inner to outer dimensions
- Light, easy to install and cost-effective
- Recommended for short travels and unsupported applications



When to use another e-tube:

- When larger interior heights are required ► **R2.1 e-tubes**, page 442
- When even higher strength is required ► **R4.1L e-tubes**, page 538
- When no swarf protection is required ► **Series E2/000**, page 374
- For extremely swarf-resistant e-tubes ► **RX system**, page 516
- When a particularly quiet operation is required using a smaller pitch
► **E2 R e-tubes**, page 492

Attachment from any side:
with KMA mounting
brackets

Swarf protection:
smooth, swarf-
resistant exterior

Long service life:
lateral gliding
surfaces

Fast assembly:
lids openable
along the inner
or outer radius,
from both sides

Space-saving:
optimised ratio of inner
to outer dimensions

Strong:
double stop-dog
system for long
unsupported lengths

Protected:
covered pin/bore
connection


Protection against dirt and swarf, cost- effective - E2 R100 e-tubes


Cost-effective, for applications with low and medium speeds. E2 R100 e-tubes work in hot swarf areas, in areas of dirt and dust generated by woodworking, steel-mills, pulp and paper, textile, agriculture, coal-fired plants and many other hostile environments.


- High level of protection against swarf (including hot swarf)
- Robust and sealed
- Space-efficient with optimised ratio of inner to outer dimensions
- Modular interior separation
- Universal KMA mounting brackets with attachment options from any side

Typical industries and applications

- Machine tools ● Wood processing machines
- General mechanical engineering ● In all areas with dirt and swarf

 e-tubes with igumid HT material for hot swarf up to +850°C available upon request

 Electrically conductive ESD e-tubes upon request

 UL94-V0 classification upon request

 **iF product design award**
2000 series R117/R118

Series	Inner height <i>hi</i> [mm]	Inner width <i>Bi</i> [mm]	Outer width <i>Ba</i> [mm]	Outer height <i>ha</i> [mm]	Bend radius <i>R</i> [mm]	Unsupported length ≤ [m]	Page
--------	--------------------------------	-------------------------------	-------------------------------	--------------------------------	------------------------------	-----------------------------	------



E2 R100 e-tubes -
lids openable along the inner radius,
from both sides

R117	21	20 - 100	32 - 112	28	063 - 180	1.20	472
R157	40	40 - 200	56 - 216	50	100 - 250	2.25	478
R167	50	50 - 250	68 - 268	64	100 - 300	2.50	486

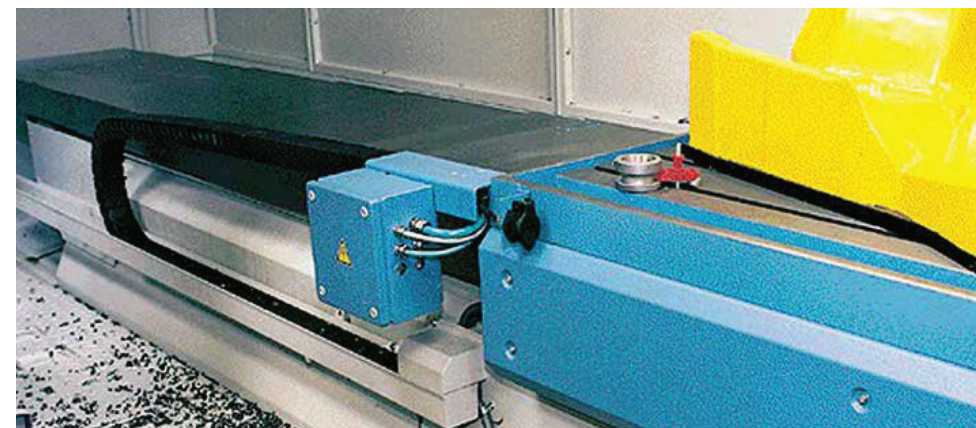


E2 e-tubes R100 -
lids openable along the
outer radius, from both sides

R118	21	25 - 80	37 - 92	28	063 - 180	1.20	472
R158	40	40 - 200	56 - 216	50	100 - 250	2.25	478
R168	50	50 - 200	68 - 218	64	100 - 300	2.50	486

 Available from stock. Ready to ship in 48 - 72hrs.*

*Average time before the ordered goods are dispatched.



igus® e-tubes provide safe protection for cables and can easily be opened

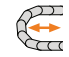



Technical data

	Speed gliding ¹⁾ / acceleration gliding ¹⁾	upon request
	Speed FL_G / acceleration FL_G	≤ 10 [m/s] / ≤ 100 [m/s ²]
	Speed FL_B / acceleration FL_B	≤ 3 [m/s] / ≤ 6 [m/s ²]
	Material - permitted temperature °C, igumid G	-40°C / +120°C
	Flammability class, igumid G	VDE 0304 IIC UL94-HB



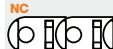




■ FL_G = unsupported with straight upper run ■ FL_B = unsupported with permitted sag

1) Gliding applications for long travels are available upon request, please consult igus®.

Installation types, maximum travels


Series	 Unsupported	 Vertical hanging	 Vertical standing	 Side mounted unsupported
R117 / R118	≤ 2.5 m	≤ 20 m	≤ 2.0 m	≤ 0.7 m
R157 / R158	≤ 4.5 m	≤ 40 m	≤ 3.0 m	≤ 1.0 m
R167 / R168	≤ 5.0 m	≤ 50 m	≤ 3.0 m	≤ 1.0 m

Options with order keys | Examples based on series R167


 Standard	NC version - (No Camber) without pretension	e-tube - no burning-in of hot swarf up to 850°C	ESD - electrically conductive material
Part No. Standard	Part No. NC version	Part No. igumid HT	Part No. igumid ESD
			
 168.100.R.0+	168.100.R.0.+NC	168.100.R.0.+HT	168.100.R.0.+ESD
 Ready to ship in 48 - 72hrs.*	Ready to ship in 5 business days*	Ready to ship in 6 weeks*	Ready to ship in 12 business days*

*Average time before the ordered goods are dispatched.





Order example | Order key and colour examples | Examples based on series R168

 Order example for complete e-tube (1.0m), colour black, with mounting brackets and interior separation:





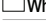


e-tube (1.0m)	Please indicate e-tube length or number of links: 1.0m or 17 links	168.100.100.0+
+ Mounting brackets	KMA - 1 set	1680.100.12
Interior separation	with 2 separators assembled every 2 nd link	2 x 1686.01
Order text:	1m 168.100.100.0+ + 1680.100.12 + 2 x 1686.01	

 Order key

e-tube openable along the outer radius **168.100.100.0+**
 e-tube openable along the inner radius **167.100.100.0+**

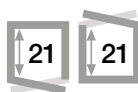
Series / Type 
 Width index (depends on B) 
 Bend radius R 
 Colour index (standard black) 

Order index for colour options

Colour	Order index	Colour	Order index
 Black	Standard .0	 Orange	Special colour .2
 Silver-grey	Special colour .31	 Yellow	Special colour .4
 White	Special colour .1	 Light grey	Special colour .14
 Grey-white	Special colour .1S		

Black e-chains® ready to ship in 48 - 72hrs.*
 Above special colours upon request.

Swarf protection, even against hot swarf, cost-effective



e-tubes | Series R117 | Lids openable along the inner radius, from both sides
 e-tubes | Series R118 | Lids openable along the outer radius, from both sides

Part No. e-tubes openable along the inner radius	Part No. e-tubes openable along the outer radius	Bi [mm]	Ba [mm]	R Available bend radii								R117 [kg/m]	R118 [kg/m]
				063	075	100	110	125	145	180			
117.020.R.0	-	20	32	063	075	100	110	125	145	180	≈ 0.43	≈ 0.43	
117.025.R.0	118.025.R.0	25	37	063	075	100	110	125	145	180	≈ 0.46	≈ 0.46	
117.038.R.0	-	38	50	063	075	100	110	125	145	180	≈ 0.56	≈ 0.56	
117.048.R.0	118.048.R.0	48	60	063	075	100	110	125	145	180	≈ 0.66	≈ 0.66	
117.063.R.0	-	63	75	063	075	100	110	125	145	180	≈ 0.76	≈ 0.76	
117.080.R.0	118.080.R.0	80	92	063	075	100	110	125	145	180	≈ 0.89	≈ 0.89	
117.100.R.0	-	100	112	063	075	100	110	125	145	180	≈ 1.06	≈ 1.06	

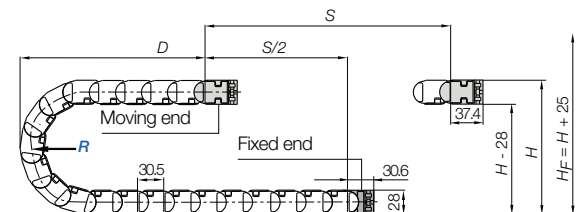
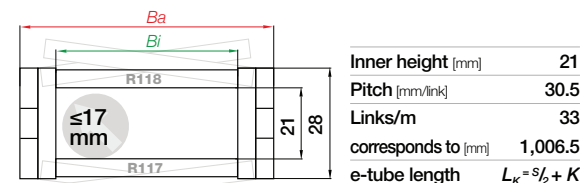
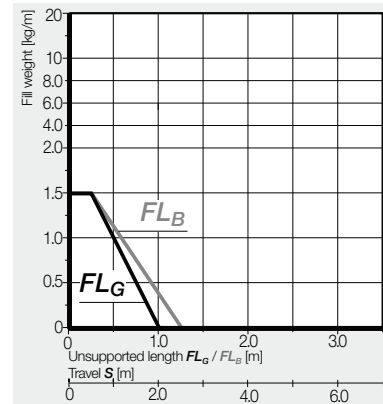
Complete Part No. with required radius (R). Example: 118.080.100.0

Hot swarf up to +850°C for e-tubes

- e-tubes can repel swarf up to +850°C. Special production option with the igus® material igamid HT
 - No hot swarf melting or embedding into the chain
- More information ► www.igus.eu/HT



Unsupported applications | Short travels



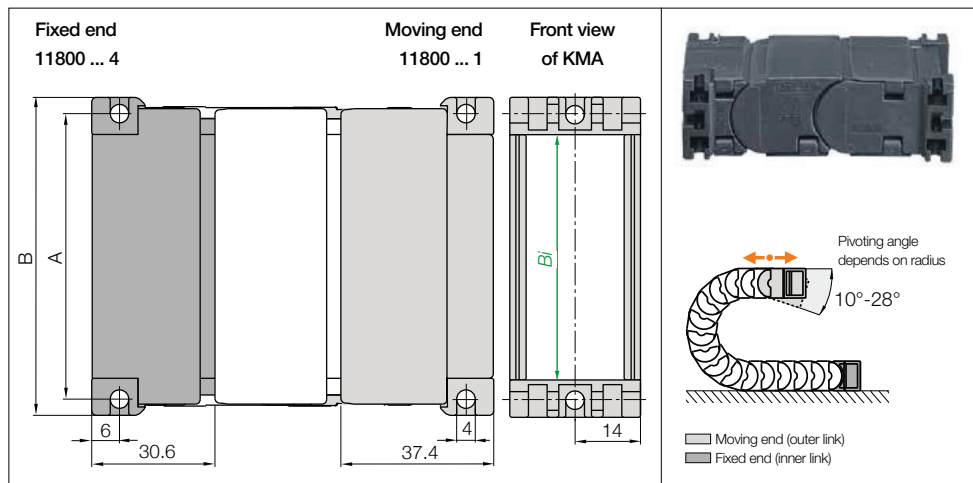
Inner height [mm]	21
Pitch [mm/link]	30.5
Links/m	33
corresponds to [mm]	1,006.5
e-tube length	$L_K = S/2 + K$

R	063	075	100	110	125	145	180
H	154	178	228	248	278	318	388
D	123	135	160	170	185	205	240
K	260	300	380	410	455	520	630

The required clearance height: $H_F = H + 25\text{mm}$ (with 1.0kg/m fill weight)



i If a gliding application is required for a long travel, please consult igus®.



KMA, one end pivoting | Recommended for unsupported applications

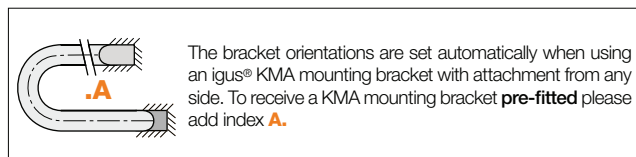
Width index	Part No. full set KMA one end pivoting:	Part No. full set KMA locking	A [mm]	B [mm]	Bi [mm]
020. ▶	11800.020.14	-	29	36	20
025. ▶	11800.025.14	-	34	41	25
038. ▶	11800.038.14	-	47	54	38
048. ▶	11800.048.14	-	57	64	48
063. ▶	11800.063.14	-	72	79	63
080. ▶	11800.080.14	-	89	96	80
100. ▶	11800.100.14	-	109	116	100

Pivoting option at fixed end available upon request Part No. 11800... 12

(KMA = polymer metal mounting bracket)

The mounting brackets are supplied with hexagon nuts and can be attached with M4 bolts,

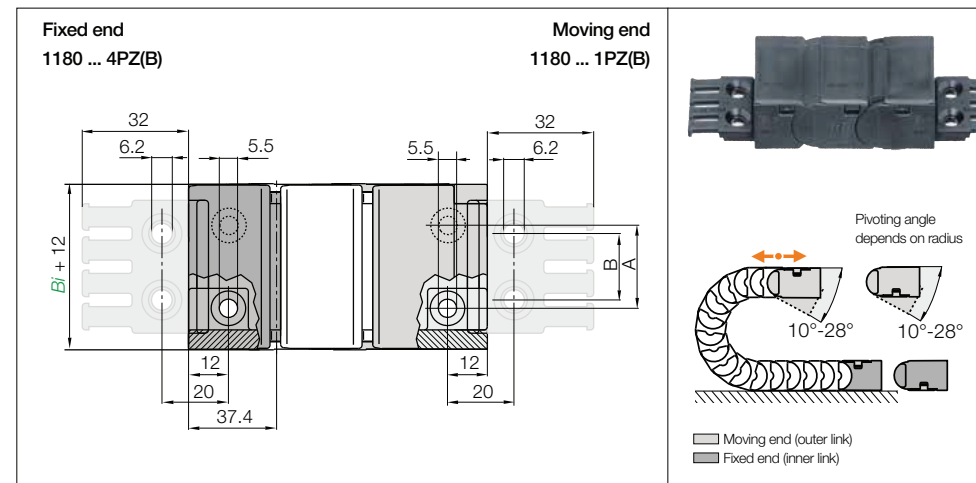
or the mounting brackets may also be attached with M4 hexagon socket DIN 912 cap bolts.



11800.020.14.**A** Order example

- Pre-assembled
- Full set
- Width index
- Series

Strain relief e.g. clamps, tie-wrap plates, nuggets and clips are available from stock. The complete chainfix range with ordering options ▶ From page 1392



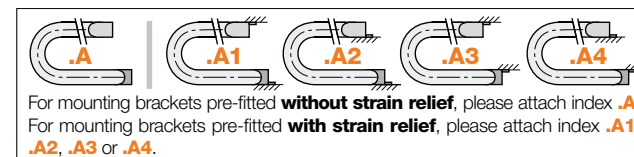
Angled polymer bracket one end pivoting | Recommended for unsupported applications

Width index	Part No. full set with tie-wrap plates	Part No. full set without tie-wrap plates	A [mm]	B [mm]	Bi [mm]	Number of teeth
025. ▶	1180.025.14PZB	1180.025.14PZ	12	15	25	3
038. ▶	1180.038.14PZB	1180.038.14PZ	25	20	38	4
048. ▶	1180.048.14PZB	1180.048.14PZ	35	30	48	5
063. ▶	1180.063.14PZB	1180.063.14PZ	50	40	63	6
080. ▶	1180.080.14PZB	1180.080.14PZ	67	60	80	8
100. ▶	1180.100.14PZB	1180.100.14PZ	87	80	100	10

Strain relief is possible on the moving end and/or the fixed end.

The following parts are required for attachment of the mounting brackets:

- Countersunk bolt M5 DIN 912-8.8 Length depends on the thickness of the attachment base
- Hexagon nut M5 DIN 7991
- Washer 5.3 DIN 125-ST

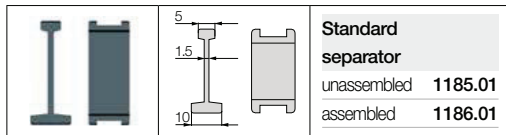
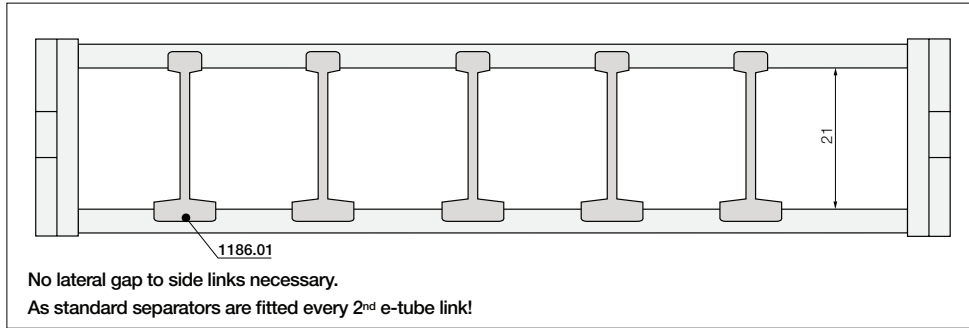


1180.048.14PZB.**A1** Order example

- .A... to indicate option with brackets pre-fitted
- With integrated strain relief tie-wrap plates
- Full set
- Width index
- Series

Strain relief e.g. clamps, tie-wrap plates, nuggets and clips are available from stock. The complete chainfix range with ordering options ▶ From page 1392

Interior separation

**Standard separator**

For simple vertical subdivision. Offers security due to its wide base design, also when used with large cables or hoses.



Typical use of igus® E2 R100 e-tubes - standing application in a machine tool

Swarf protection, even against hot swarf, cost-effective



e-tubes | Series R157 | Lids openable along the inner radius, from both sides
 e-tubes | Series R158 | Lids openable along the outer radius, from both sides

Part No. e-tubes openable along the inner radius	Part No. e-tubes openable along the outer radius	Bi [mm]	Ba [mm]	R Available bend radii								R157 [kg/m]	R158 [kg/m]
				100	125	150	175	200	250				
157.040.R.0.+ ¹⁾	158.040.R.0.+ ¹⁾	40	56	100	125	150	175	200	250	≈ 1.21	≈ 1.21		
157.050.R.0.+	158.050.R.0.+	50	66	100	125	150	175	200	250	≈ 1.30	≈ 1.30		
157.075.R.0.+	158.075.R.0.+	75	91	100	125	150	175	200	250	≈ 1.50	≈ 1.50		
157.088.R.0.+	158.088.R.0.+	88	104	100	125	150	175	200	250	≈ 1.57	≈ 1.57		
157.090.R.0.+ ²⁾	158.090.R.0.+ ²⁾ *	88	104	100	125	150	175	200	250	≈ 1.63	≈ 1.63		
157.100.R.0.+	158.100.R.0.+	100	116	100	125	150	175	200	250	≈ 1.71	≈ 1.71		
157.125.R.0.+	158.125.R.0.+	125	141	100	125	150	175	200	250	≈ 1.92	≈ 1.92		
157.135.R.0.+	158.135.R.0.+	135	150	100	125	150	175	200	250	≈ 2.10	≈ 2.10		
157.150.R.0.+	158.150.R.0.+	150	166	100	125	150	175	200	250	≈ 2.13	≈ 2.13		
157.175.R.0.+	158.175.R.0.+	175	191	100	125	150	175	200	250	≈ 2.34	≈ 2.34		
157.200.R.0.+	158.200.R.0.+	200	216	100	125	150	175	200	250	≈ 2.55	≈ 2.55		

1) Lid removable only, not hinged 2) Same dimensions as 157.088 - less recent design, no hinged option

*Width available upon request. Please consult igus® for delivery time.

Complete Part No. with required radius (R). Example: 158.100.100.0.+

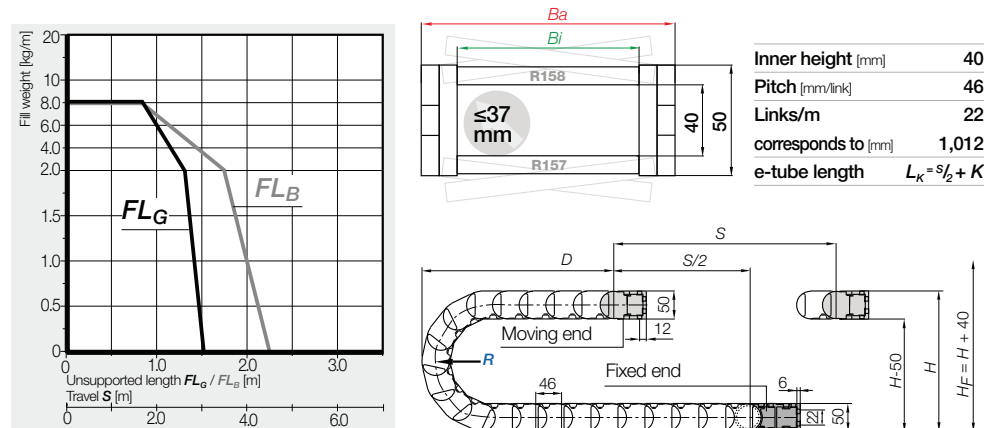
Hot swarf up to +850°C for e-tubes

- e-tubes can repel swarf up to +850°C. Special production option with the igus® material igumid HT
- No hot swarf melting or embedding into the chain

More information ► www.igus.eu/HT



Unsupported applications | Short travels

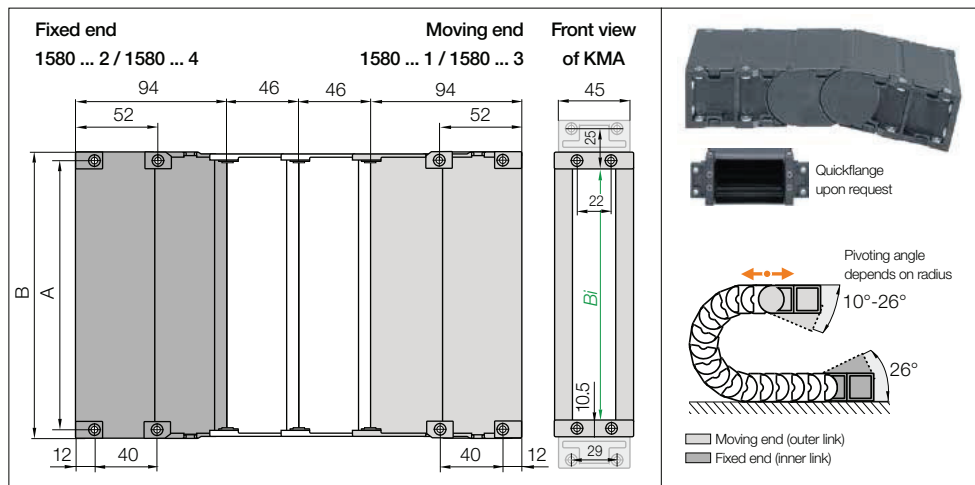


	100	125	150	175	200	250
R	100	125	150	175	200	250
H	250	300	350	400	450	550
D	194	219	244	269	294	344
K	410	485	565	645	725	880

The required clearance height: $H_F = H + 40$ mm (with 1.0kg/m fill weight)



i If a gliding application is required for a long travel, please consult igus®.



KMA, long pivoting | Recommended for unsupported applications
KMA, long locking | Recommended for vertical hanging and standing applications

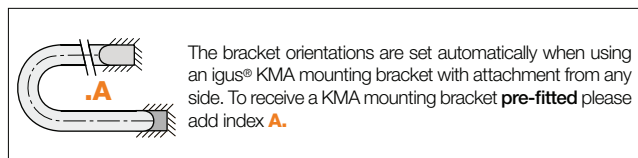
Width index	Part no. full set KMA pivoting	Part No. full set KMA locking	A [mm]	B [mm]	Bi [mm]
040. ▶	15801.040.12	15801.040.34	50	61	40
050. ▶	15800.050.12	15800.050.34	60	71	50
075. ▶	15800.075.12	15800.075.34	85	96	75
088. ▶	15800.088.12	15800.088.34	98	109	88
090. ▶	15801.090.12*	15801.090.34*	98	109	88
100. ▶	15800.100.12	15800.100.34	110	121	100
125. ▶	15800.125.12	15800.125.34	135	146	125
135. ▶	15800.135.12	15800.135.34	145	156	135
150. ▶	15800.150.12	15800.150.34	160	171	150
175. ▶	15800.175.12	15800.175.34	185	196	175
200. ▶	15800.200.12	15800.200.34	210	221	200

(KMA = polymer metal mounting bracket) *Width available upon request. Please consult igus® for delivery time.

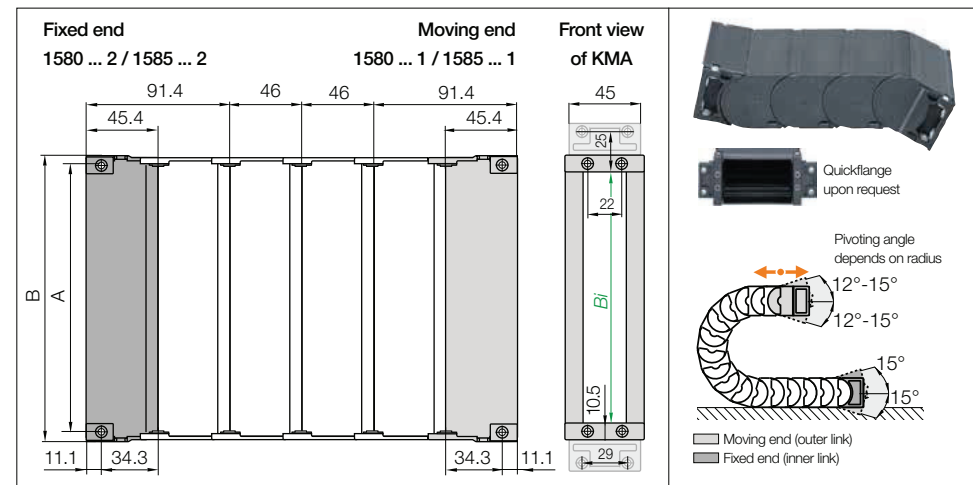
The following parts are required for attachment of the mounting brackets:

- Socket head cap bolt M5 DIN 912-8.8 Length depends on the thickness of the attachment base
- Washer 5.3 DIN 125-ST
- Hexagon nut M5 DIN 934-8

To receive full sets with pre-fitted quickflange please add index QF ▶ For example: Part No. 15800.100.12.QF. Unassembled quickflange: Part No. 15800.QF



Strain relief e.g. clamps, tiwrap plates, nuggets and clips are available from stock. The complete chainfix range with ordering options ▶ From page 1392



KMA, short pivoting | Recommended for unsupported applications
KMA, short locking | Recommended for vertical hanging and standing applications

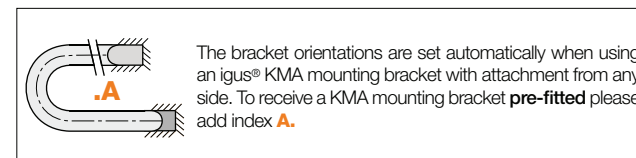
Width index	Part no. full set KMA pivoting	Part No. full set KMA locking	A [mm]	B [mm]	Bi [mm]
040. ▶	1580.040.12	1585.040.12	50	61	40
050. ▶	1580.050.12	1585.050.12	60	71	50
075. ▶	1580.075.12	1585.075.12	85	96	75
088. ▶	1580.088.12	1585.088.12	98	109	88
090. ▶	1580.090.12*	1585.090.12*	98	109	88
100. ▶	1580.100.12	1585.100.12	110	121	100
125. ▶	1580.125.12	1585.125.12	135	146	125
135. ▶	1580.135.12	1585.135.12	145	156	135
150. ▶	1580.150.12	1585.150.12	160	171	150
175. ▶	1580.175.12	1585.175.12	185	196	175
200. ▶	1580.200.12	1585.200.12	210	221	200

(KMA = polymer metal mounting bracket) *Width available upon request. Please consult igus® for delivery time.

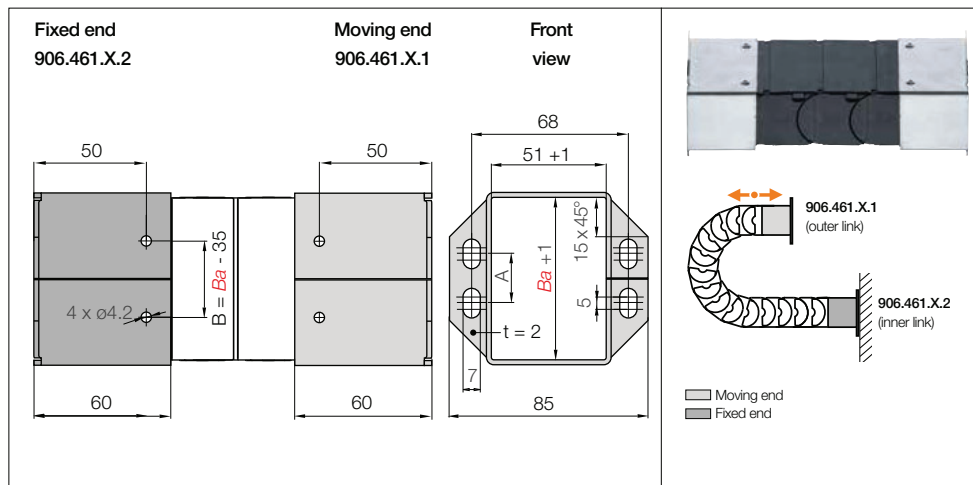
The following parts are required for attachment of the mounting brackets:

- Socket head cap bolt M5 DIN 912-8.8 Length depends on the thickness of the attachment base
- Washer 5.3 DIN 125-ST
- Hexagon nut M5 DIN 934-8

To receive full sets with pre-fitted quickflange please add index QF ▶ For example: Part No. 15800.100.12.QF. Unassembled quickflange: Part No. 15800.QF



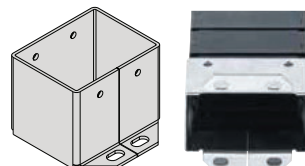
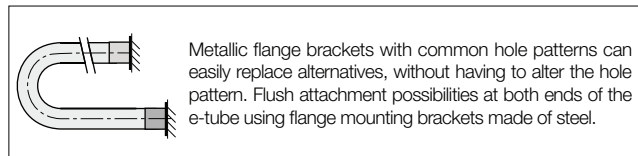
Strain relief e.g. clamps, tiwrap plates, nuggets and clips are available from stock. The complete chainfix range with ordering options ▶ From page 1392



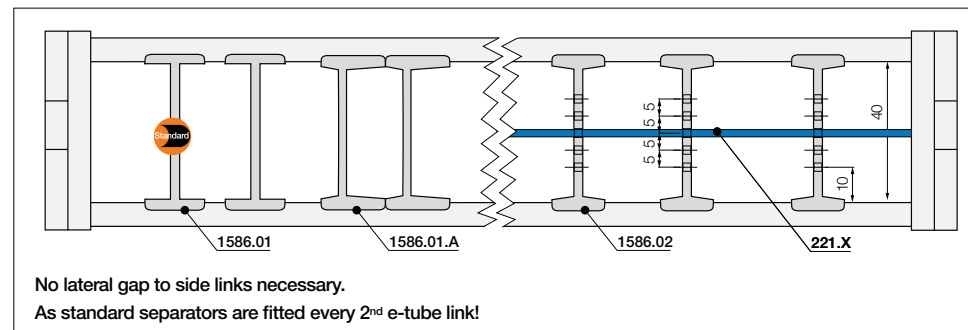
Steel flange, locking | Recommended for unsupported applications

Width index	Hole pattern	Part No. full set Steel flange	Bi [mm]	Ba [mm]	A [mm]	B [mm]
050. ▶	58.05	906.461.1.12	50	66	20	31
075. ▶	58.1	906.461.2.12	75	91	30	57

Mounting only with hexagon socket DIN 912 M6 and washer DIN 125, 6.3mm



Strain relief e.g. clamps, tiwrap plates, nuggets and clips are available from stock. The complete chainfix range with ordering options ▶ From page 1392



No lateral gap to side links necessary.
As standard separators are fitted every 2nd e-tube link!

		Standard separator unassembled 1585.01 assembled 1586.01
		Separator, asymmetrical unassembled 1585.01.A assembled 1586.01.A

Option 1 | Separators
Standard separator

For simple vertical subdivision. Offers security due to its wide base design, also when used with large cables or hoses.

Separator, asymmetrical

For side-mounted applications. Asymmetrical separator, no additional spacers necessary.

		Slotted separator unassembled 1585.02 assembled 1586.02
		Full-width shelf for e-tubes unassembled 220.X assembled 221.X

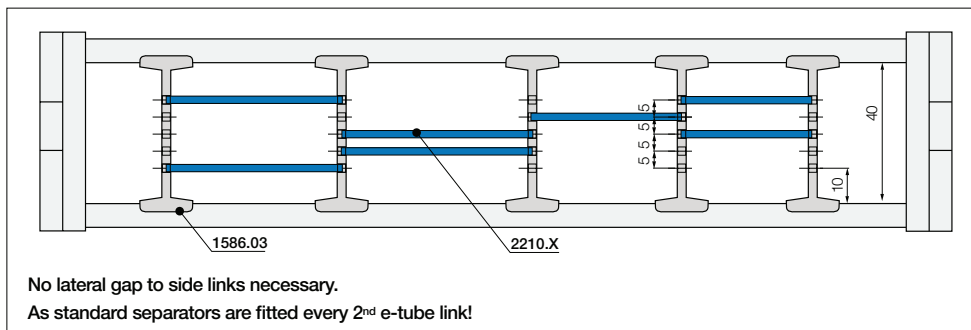
Option 2 | Full-width shelves
Slotted separator

Vertical separation. The slot allows basic vertical/horizontal shelving arrangements.

Full-width shelf

This option is for applications with many small cables with similar diameters. For full-width separation.

Full-width shelves Width = X [mm]	X [mm]			X [mm]			X [mm]		
	unassembled	assembled		unassembled	assembled		unassembled	assembled	
040	220.40	221.40		100	220.100	221.100	175	220.175	221.175
050	220.50	221.50		125	220.125	221.125	200	220.200	221.200
075	220.75	221.75		135	220.135	221.135			
088	220.88	221.88		150	220.150	221.150			



	<p>Slotted separator</p> <p>unassembled 1585.03 assembled 1586.03</p>
	<p>Shelf for e-tubes</p> <p>unassembled 2200.X assembled 2210.X</p>

Option 3 | Partial shelves
Slotted separator

Allows modular shelving arrangements.

Shelf

For applications involving many cables with different diameters, shelves can be fitted at different heights.

Shelves Width = X [mm]	X [mm]	unassembled	assembled	X [mm]	unassembled	assembled	X [mm]	unassembled	assembled
		018	2200.18	2210.18	043	2200.43	2210.43	088	2200.88
	023	2200.23	2210.23	048	2200.48	2210.48	099	2200.99	2210.99
	028	2200.28	2210.28	058	2200.58	2210.58	124	2200.124	2210.124
	033	2200.33	2210.33	068	2200.68	2210.68	149	2200.149	2210.149
	038	2200.38	2210.38	073	2200.73	2210.73			

Separator with integrated strain relief teeth

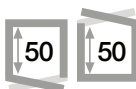
- Can be integrated into the mounting bracket or placed at any point
- Combines strain relief and interior separation, for restricted space conditions
- Strain relief separator is easy to assemble without any screws

Part No. 1585.01.Z - more information ► From page 1424



White igus® e-tube series E2 R100 in a medical application

Swarf protection, even against hot swarf, cost-effective



e-tubes | Series R167 | Lids openable along the inner radius, from both sides
 e-tubes | Series R168 | Lids openable along the outer radius, from both sides

Part No. e-tubes openable along the inner radius	Part No. e-tubes openable along the outer radius	Bi [mm]	Ba [mm]	R Available bend radii [mm]										R167 [kg/m]	R168 [kg/m]
				100	125	150	175	200	225	250	300				
167.050.R.0.+	168.050.R.0.+	50	68	100	125	150	175	200	225	250	300	≈ 1.58	≈ 1.58		
167.075.R.0.+	168.075.R.0.+	75	93	100	125	150	175	200	225	250	300	≈ 1.84	≈ 1.84		
167.100.R.0.+	168.100.R.0.+	100	118	100	125	150	175	200	225	250	300	≈ 2.09	≈ 2.09		
167.115.R.0.+	168.115.R.0.+	115	133	100	125	150	175	200	225	250	300	≈ 2.24	≈ 2.24		
167.125.R.0.+	-	125	143	100	125	150	175	200	225	250	300	≈ 2.35	≈ 2.35		
167.150.R.0.+	168.150.R.0.+	150	168	100	125	150	175	200	225	250	300	≈ 2.60	≈ 2.60		
167.175.R.0.+	168.175.R.0.+	175	193	100	125	150	175	200	225	250	300	≈ 2.86	≈ 2.86		
167.200.R.0.+	168.200.R.0.+	200	218	100	125	150	175	200	225	250	300	≈ 3.11	≈ 3.11		
167.225.R.0.+	-	225	243	100	125	150	175	200	225	250	300	≈ 3.37	≈ 3.37		
167.250.R.0.+	-	250	268	100	125	150	175	200	225	250	300	≈ 3.62	≈ 3.62		

Complete Part No. with required radius (R). Example: 168.100.100.0.+

Hot swarf up to +850°C for e-tubes

- e-tubes can repel swarf up to +850°C. Special production option with the igus® material igumid HT
 - No hot swarf melting or embedding into the chain
- More information ► www.igus.eu/HT

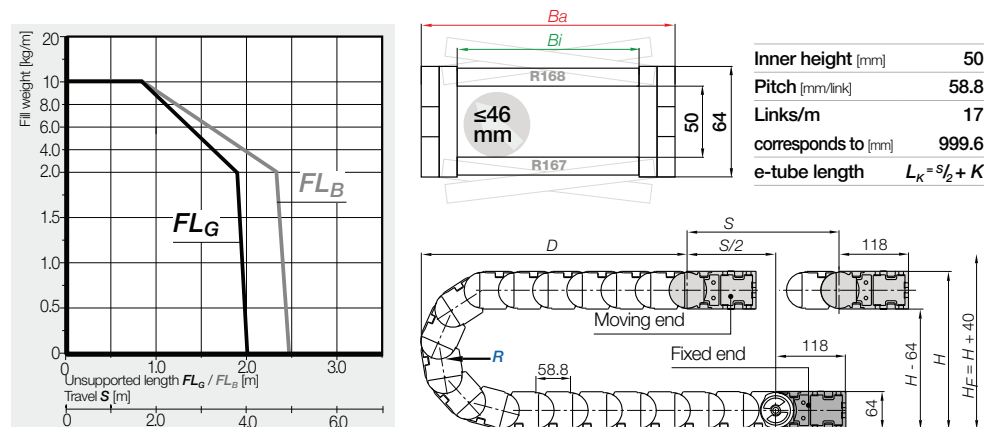


CFU strain relief with innovative honeycomb design

- Fast filling, openable from both sides for assembly in seconds
 - Flexible honeycomb design for increased holding force
 - Tribologically optimised honeycomb design for the best hold
 - Universal use, compact, space-saving design
- More information ► Page 1422



Unsupported applications | Short travels

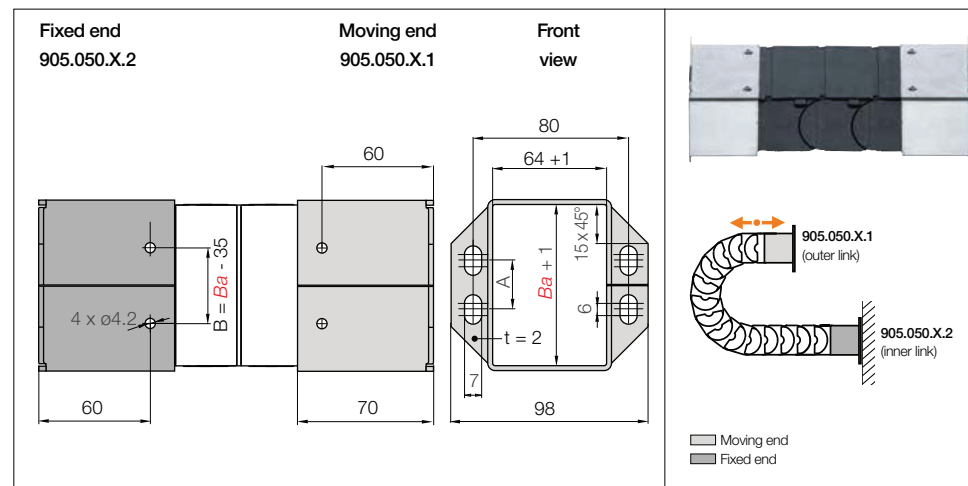
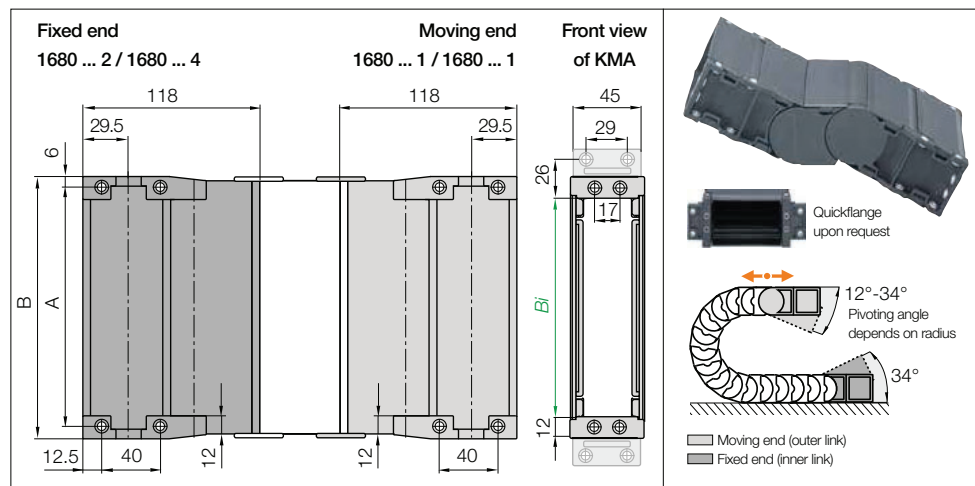


R	100	125	150	175	200	225	250	300
H	264	314	364	414	464	514	564	664
D	220	245	270	295	320	345	370	420
K	435	515	590	670	750	825	905	1,065

The required clearance height: $H_f = H + 40\text{mm}$ (with 2.0kg/m fill weight)



i If a gliding application is required for a long travel, please consult igus®.



KMA pivoting | Recommended for unsupported applications
KMA locking | Recommended for vertical hanging and standing applications

Width index	Part no. full set KMA pivoting	Part No. full set KMA fixed end locking*	A [mm]	B [mm]	Bi [mm]
050. ▶	1680.050.12	1680.050.14	62	74	50
075. ▶	1680.075.12	1680.075.14	87	99	75
100. ▶	1680.100.12	1680.100.14	112	124	100
115. ▶	1680.115.12	1680.115.14	127	139	115
125. ▶	1680.125.12	1680.125.14	137	149	125
150. ▶	1680.150.12	1680.150.14	162	174	150
175. ▶	1680.175.12	1680.175.14	187	199	175
200. ▶	1680.200.12	1680.200.14	212	224	200
225. ▶	1680.225.12	1680.225.14	237	249	225
250. ▶	1680.250.12	1680.250.14	262	274	250

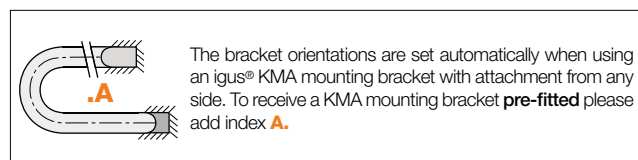
(KMA = polymer metal mounting bracket)

*only the fixed end is locking, the moving end is pivoting

The following parts are required for attachment of the mounting brackets:

● Socket head cap bolt M5 DIN 912-8.8 Length depends on the thickness of the attachment base ● Washer 5.3 DIN 125-ST ● Hexagon nut M5 DIN 934-8

To receive full sets with pre-fitted quickflange please add index QF ▶ For example: Part No. 1680.100.12.QF. Unassembled quickflange: Part No. 16800.QF

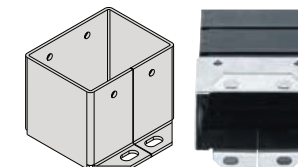
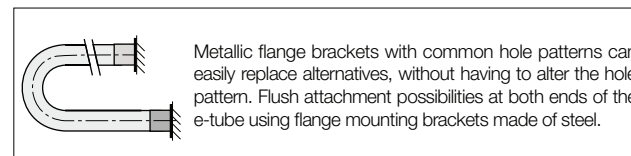


Strain relief e.g. clamps, tiwrap plates, nuggets and clips are available from stock. The complete chainfix range with ordering options ▶ From page 1392

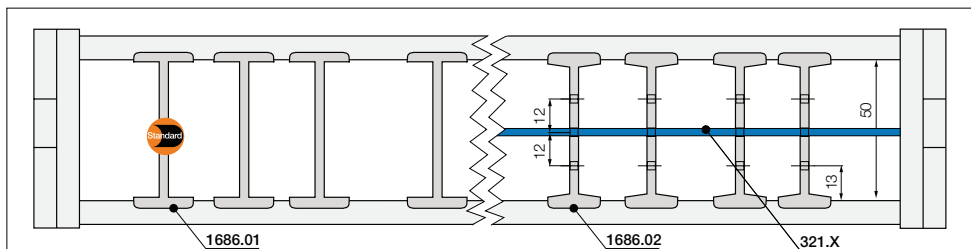
Steel flange, locking | Recommended for unsupported applications

Width index	Hole pattern	Part No. full set Steel flange	Bi [mm]	Ba [mm]	A [mm]	B [mm]
075. ▶	68.01	905.050.1.12	75	93	30	58
115. ▶	68.02	905.050.2.12	115	133	50	98
175. ▶	68.03	905.050.3.12	175	193	100	158

Mounting only with hexagon socket DIN 912 M6 and washer DIN 125, 6.3mm



Strain relief e.g. clamps, tiwrap plates, nuggets and clips are available from stock. The complete chainfix range with ordering options ▶ From page 1392



No lateral gap to side links necessary.
As standard separators are fitted every 2nd e-tube link!

Standard separator

unassembled	1685.01
assembled	1686.01

Option 1 | Separators
Standard separator

For simple vertical subdivision. Offers security due to its wide base design, also when used with large cables or hoses.

Slotted separator

unassembled	1685.02
assembled	1686.02

Option 2 | Full-width shelves
Slotted separator

Vertical separation. The slot allows basic vertical and horizontal shelving arrangements.

Full-width shelf for e-tubes

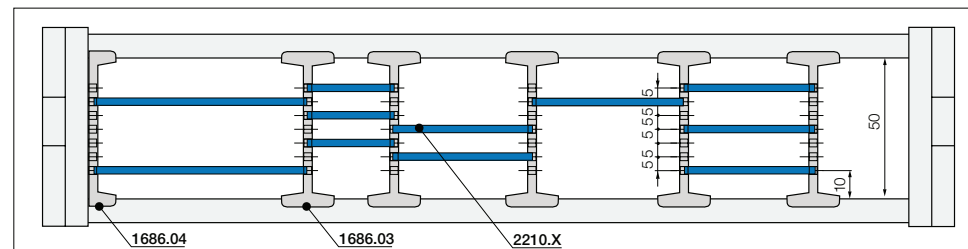
unassembled	320.X
assembled	321.X

Full-width shelf

This option is for applications with many small cables with similar diameters. For full-width separation.

Full-width shelves
Width = X [mm]

X [mm]	unassembled	assembled	X [mm]	unassembled	assembled	X [mm]	unassembled	assembled
050	320.050	321.050	150	320.150	321.150	250	320.250	321.250
075	320.075	321.075	175	320.175	321.175			
115	320.115	321.115	200	320.200	321.200			
125	320.125	321.125	225	320.225	321.225			



No lateral gap to side links necessary.
As standard separators are fitted every 2nd e-tube link!

Slotted separator

unassembled	1685.03
assembled	1686.03

Option 3 | Partial shelves
Slotted separator

Allows modular shelving arrangements.

Slotted side plate

unassembled	1685.04
assembled	1686.04

Slotted side plate

Allows modular shelving right up to the side links. No clearance required!

Shelf for e-tubes

unassembled	2200.X
assembled	2210.X

Shelf

For applications involving many cables with different diameters, shelves can be fitted at different heights.

Shelves

Width = X [mm]

X [mm]	unassembled	assembled	X [mm]	unassembled	assembled	X [mm]	unassembled	assembled
018	2200.18	2210.18	043	2200.43	2210.43	088	2200.88	2210.88
023	2200.23	2210.23	048	2200.48	2210.48	099	2200.99	2210.99
028	2200.28	2210.28	058	2200.58	2210.58	124	2200.124	2210.124
033	2200.33	2210.33	068	2200.68	2210.68	149	2200.149	2210.149
038	2200.38	2210.38	073	2200.73	2210.73			

Separator with integrated strain relief teeth

- Can be integrated into the mounting bracket or placed at any point
- Combines strain relief and interior separation, for restricted space conditions
- Strain relief separator is easy to assemble without any screws

Part No. 1685.01.Z - more information ▶ From page 1424

