



E2/000

All-rounder for a wide range of applications



Advantages of the E2/000 series:

- When a medium-sized, strong system (e-chains®, half e-tubes, completely enclosed e-tubes) is required
- For unsupported lengths up to 3.0m and fill weights up to 13kg/m
- For travel lengths up to 150m
- If an openable system is required to quickly open from either the left or right
- Various fastening options



When to use another e-chain® series:

- If a stronger, light, cost-effective e-chain®/e-tube is required
 - ▶ E4.1L, page 538
- For very simple applications with fast filling
 - ▶ easy chain®, page 212
- If very sealed e-tubes are required
 - ▶ R2.1 e-tube, page 442
 - ▶ E2 R100 e-tube, page 466
 - ▶ E2 R e-tube, page 492
 - ▶ RX e-tube, page 516

Universal connection:
many mounting options
with or without strain relief

Easy assembly:
e-chain® links
openable on
left or right

High strength:
large pin/bore and
crossbar with high
locking force

Long service life:
lateral gliding
surfaces

For long
unsupported lengths:
double stop-dog system


Variety of options:
e-chains® openable
along inner or outer
radius from both sides,
e-tubes and half e-tubes
openable along inner
radius from both sides


The all-rounder for a wide range of applications - E2/000


Series E2/000 is the fourth generation in this size. All past experience went into this series: easy and versatile assembly combined with ruggedness - high strength paired with quieter motion - long cable life and many mounting options. The design is consistent across all E2/000 variants. It is the standard product for machinery around the world.

Typical industries and applications

- Material handling ● Construction machinery
- Woodworking machines ● Machine tools
- Glass machines ● Plastic machines ● Long travel applications in many industries ● Semiconductors ● Theatre, entertainment and amusement parks, etc. ● Vehicles ● General machinery, etc.

 Electrically conductive ESD e-chains® - several series available from stock

 46dB(A) - level determined at the igus® test-lab, v = 1.0m/s unsupported, e.g. series 2600.05.075.0

 UL94-V0 classification upon request



IPA Qualification Certificate - Report IG 1303-640-1:
ISO Class 2, according to DIN EN ISO 14644-1 for system E2/000, series 1500.050.038.0 at v = 0.5m/s, 1,0m/s, 2,0m/s



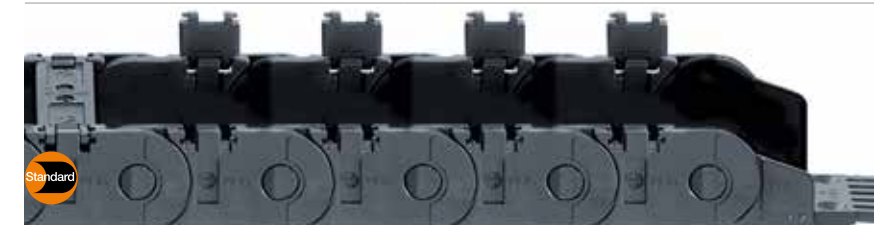
IPA Qualification Certificate - Report IG 0308-295:
ISO Class 3, according to DIN EN ISO 14644-1 for system E2/000, series 2500.05.055.0 at v = 2,0m/s

Series	Inner height <i>hi</i> [mm]	Inner width <i>Bi</i> [mm]	Outer width <i>Ba</i> [mm]	Outer height <i>ha</i> [mm]	Bend radius <i>R</i> [mm]	Unsupported length ≤ [m]	Page
--------	--------------------------------	-------------------------------	-------------------------------	--------------------------------	------------------------------	--------------------------	------



E2/000 e-chains®
crossbars openable along the inner radius, from both sides

1400	21	15 - 125	28.5 - 138.5	28	035 - 180	1.75	382
2400	25	25 - 125	41 - 141	35	055 - 250	2.25	394
2600	35	50 - 175	66 - 194	50	063 - 250	2.75	406
3400	45	50 - 250	70 - 270	64	075 - 300	3.00	422



E2/000 e-chains® - Standard for system E2
crossbars openable along the outer radius, from both sides

1500	21	15 - 125	28.5 - 138.5	28	035 - 180	1.75	382
2500	25	25 - 125	41 - 141	35	055 - 250	2.25	394
2700	35	50 - 175	66 - 194	50	063 - 250	2.75	406
3500	45	50 - 250	70 - 270	64	075 - 300	3.00	422
255	24	38 - 103	54 - 119	35	055 - 250	1.80	438



E2/000 half e-tubes
lids openable along the inner radius, from both sides. Non-openable lids along the outer radius

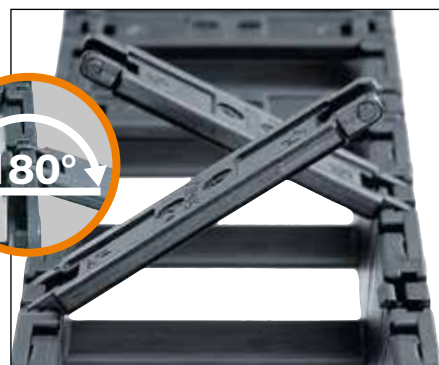
1450	21	15 - 125	28.5 - 138.5	28	075 - 180	1.75	388
2450	25	25 - 125	41 - 141	35	055 - 250	2.25	400
2650	35	50 - 175	66 - 194	50	100 - 250	2.75	414
3450	45	50 - 250	70 - 270	64	125 - 300	3.00	430



E2/000 full e-tubes
lids openable along the inner radius, from both sides. Non-openable lids along the outer radius

1480	21	15 - 125	28.5 - 138.5	28	075 - 180	1.75	388
2480	25	25 - 125	41 - 141	35	075 - 250	2.25	400
2680	35	50 - 175	66 - 194	50	100 - 250	2.75	414
3480	45	50 - 250	70 - 270	64	125 - 300	3.00	430

 Available from stock. Ready to ship in 24 - 48hrs.*
*Average time before the ordered goods are dispatched.



Openable mechanism, openable along the left or right and to 180°



Lean separators enable extremely fast cable filling in several layers



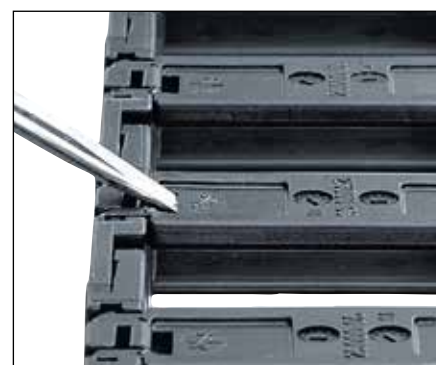
Separators are secure even when e-chain® is open



Half e-tube - fully enclosed along the outer radius. Openable along the inner radius on left or right



Fast closing by hand - secure without additional locking devices



Mechanical opening from the top - rapid opening with a screwdriver or the e-chain® opener



Open E2/000 in a flash with the e-chain® opener ► www.igus.eu/E2opener



Strain relief e.g. clamps, tie-wrap plates, nuggets, etc. ► [From page 1392](#)



e-chains® with extender crossbars - large increase of the interior space



Aluminium "SuperTrough" - the standard igus® guide trough ► [From page 1298](#)



rol e-chain® E2/000 - rolling instead of gliding. Reduce driving force



Aluminium and steel support tray for support of the lower run ► [From page 1362](#)

Technical data

	Speed gliding ¹⁾ / acceleration gliding ¹⁾	≤ 10 [m/s] / ≤ 50 [m/s ²]
	Speed FL_G / acceleration FL_G	≤ 20 [m/s] / ≤ 200 [m/s ²]
	Speed FL_B / acceleration FL_B	≤ 3 [m/s] / ≤ 6 [m/s ²]
	Material - permitted temperature °C, igumid G	-40°C / +120°C
	Flammability class, igumid G	VDE 0304 IIC UL94-HB

FL_G = unsupported with straight upper run FL_B = unsupported with permitted sag
 1) For openable series along the inner radius in gliding applications, please consult igus®

Installation types, maximum travels

Series	Unsupported	Gliding ¹⁾	Vertical hanging	Vertical standing	Side mounted unsupported	Rotary	Zig-zag	Unsupported length lower run
1400 / 1500 / 1450 / 1480	≤ 3.9m	≤ 75m	≤ 20m	≤ 2.0m	≤ 0.7m	with rework	upon request	upon request
2400 / 2500 / 2450 / 2480	≤ 4.25m	≤ 100m	≤ 40m	≤ 3.0m	≤ 1.0m	with rework	upon request	upon request
2600 / 2700 / 2650 / 2680	≤ 5.5m	≤ 120m	≤ 50m	≤ 3.0m	≤ 1.0m	with rework	upon request	upon request
3400 / 3500 / 3450 / 3480	≤ 6.0m	≤ 150m	≤ 80m	≤ 3.0m	≤ 1.0m	with rework	upon request	upon request
255	≤ 3.6m	≤ 100m	≤ 40m	≤ 3.0m	≤ 1.0m	with rework	upon request	upon request

1) For openable series along the inner radius in gliding applications, please consult igus®

Reduce assembly time | E2/000 e-chain® opener

- Available for many E2/000 e-chains® and half e-tubes - quick opening with the e-chain® opener
- Reduce opening times from 33 to 2 seconds (tested on 1m, 2700.07 series)
- Open a long e-chain® section in one go

More information and video ► www.igus.eu/E2opener

	For E2/000 series	For widths B_i [mm]	Part No. e-chain® opener
	1400 / 1500 / 1450	20, 50, 68, 80, 100	908.254.1400
	2400 / 2500 / 2450	05, 07, 09	908.254.2400
	2600 / 2700 / 2650	06, 07, 09, 10	EO.2600
	3400 / 3500 / 3450	50, 75, 100, 115	908.254.3400

Options with order keys | Examples based on series 2400/2500/2450/2480

Standard	Optional noise dampers	NC version - (No Camber) without pretension	Reverse Bend Radius (RBR) for circular movements
Part No. Standard	Part No. Low noise (with pads)	Part No. NC version	Part No. RBR
2400.03.R.0 e-chain® openable along inner radius ¹⁾	S2400.03.R.0 e-chain® openable along inner radius ¹⁾	2400.03.R.0.NC e-chain® openable along inner radius ¹⁾	2400.03.R1/R2.0 e-chain® openable along inner radius ¹⁾
2500.03.R.0 e-chain® openable along the outer radius	–	2500.03.R.0.NC e-chain® openable along the outer radius	2500.03.R1/R2.0 e-chain® openable along the outer radius
2450.03.R.0 Half e-tube openable along the inner radius ¹⁾	S2450.03.R.0 Half e-tube openable along the inner radius ¹⁾	2450.03.R.0.NC Half e-tube openable along the inner radius ¹⁾	RBR for e-tubes - please consult igus®
2480.03.R.0 e-tube openable along the inner radius ¹⁾	S2480.03.R.0 e-tube openable along the inner radius ¹⁾	2480.03.R.0.NC e-tube openable along the inner radius ¹⁾	RBR for e-tubes - please consult igus®
Ready for delivery in 24-48hrs*	Ready to ship in 12 business days*	Ready to ship in 3-5 business days*	Ready to ship in 12 business days*[Ⓞ]

[⚠] ESD version - some series available from stock - further information and the complete product range ► From page 142
[Ⓞ] RBR version (Reverse Bend Radius) - some radii available from stock - further information and the complete product range ► From page 130

Unsupported lengths +25% possible	e-tube - no burning-in of hot swarf up to 850°C	ESD - electrically conductive material	Magnetically detectable plastic e-chains®
Part No. XXL material ²⁾	Part No. igumid HT	Part No. igumid ESD	Part No. igumid DT
2400.03.R.0.XXL e-chain® openable along inner radius ¹⁾	2480.03.R.0.HT Complete e-tube	2400.03.R.0.ESD e-chain® openable along inner radius ¹⁾	2400.03.R.0.DT e-chain® openable along inner radius ¹⁾
2500.03.R.0.XXL e-chain® openable along the outer radius	2480.03.HT.R.0 Only lids ³⁾	2500.03.R.0.ESD e-chain® openable along the outer radius	2500.03.R.0.DT e-chain® openable along the outer radius
2450.03.R.0.XXL Half e-tube openable along the inner radius ¹⁾	–	2450.03.R.0.ESD Half e-tube openable along the inner radius ¹⁾	2450.03.R.0.DT Half e-tube openable along the inner radius ¹⁾
2480.03.R.0.XXL e-tube openable along the inner radius ¹⁾	–	2480.03.R.0.ESD e-tube openable along the inner radius ¹⁾	2480.03.R.0.DT e-tube openable along the inner radius ¹⁾
Delivery time upon request*	Ready for delivery in 6 weeks*	Ready to ship in 12 business days*[⚠]	Ready to ship in 20 business days*

*Average time before the ordered goods are dispatched.
 1) Before using this series in gliding applications, please consult igus® 2) Lower part made from XXL material 3) Lids made of igumid HT material, side links made of standard material.

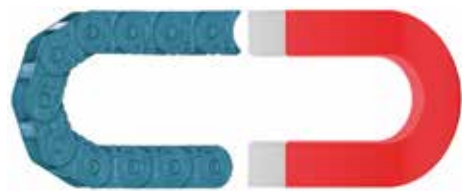
Order example | Examples based on series 2500

Order example for complete e-chain® (1.0m), colour black, with mounting brackets and interior separation:

e-chain® (1.0m)	Please indicate e-chain® length or number of links: 1.0m or 22 links	2500.03.100.0
+ Mounting brackets	1 set (with tiwrap plates)	2030.34PZB
Interior separation	with 2 separators assembled every 2 nd link	2 x 25.1.1
Order text:	1m 2500.03.100.0 + 2030.34PZB + 2 x 25.1.1	

Magnetically detectable plastic e-chains®

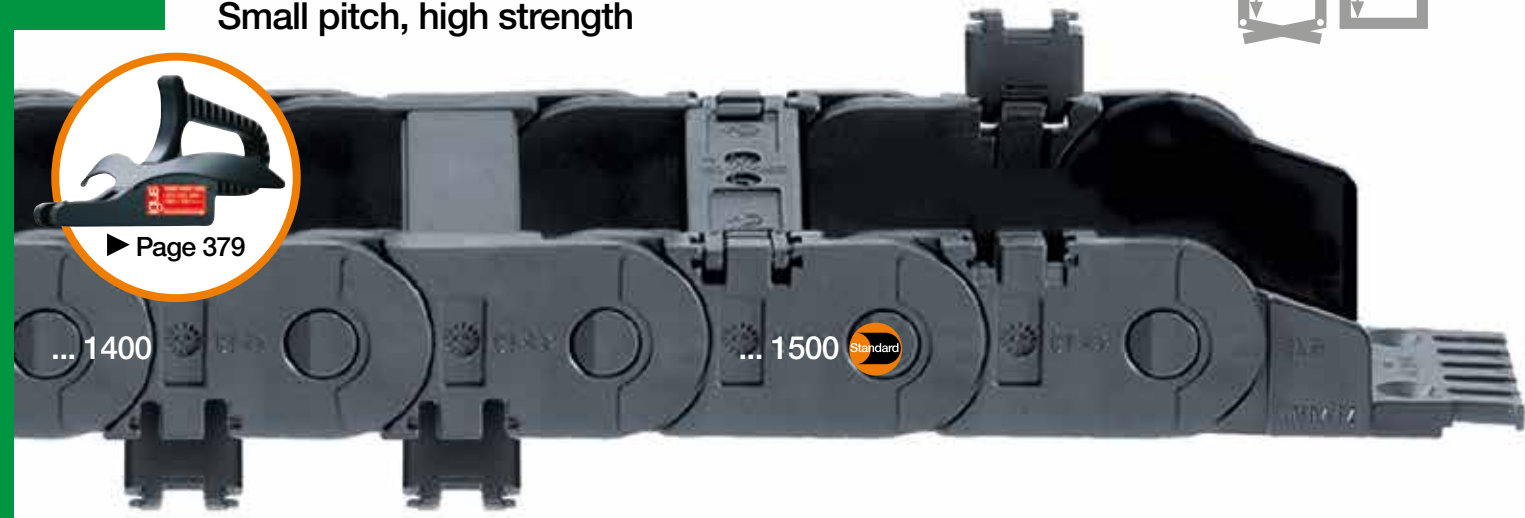
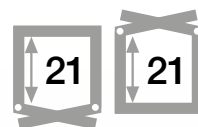
● For the food and tobacco industry ● The material igumid DT is detected to the tiniest fragment all common metal detection systems and can therefore be selected automatically ● Particles as small as 1.0mm can be recognised for fragments passing at speeds of 20m/min.
More information ► upon request



Order key and colour examples | Examples based on series 2400/2500/2450/2480

Order key

e-chains® openable along the outer radius	2500.03.100.0	Order index for colour options	
e-chains® openable along the inner radius	2400.03.100.0	Colour	Order index
Half e-tube openable along the inner radius	2450.03.100.0	■ Black	Standard .0
Full e-tube openable along the inner radius	2480.03.100.0	■ Silver-grey	Special colour .31
Series / Type		■ White	Special colour .1
Width index (depends on <i>B</i>)		■ Grey-white	Special colour .1S
Bend radius <i>R</i>		Black e-chains® ready to ship in 24 - 48hrs.*	
Colour index (standard black)		Above special colours upon request.	



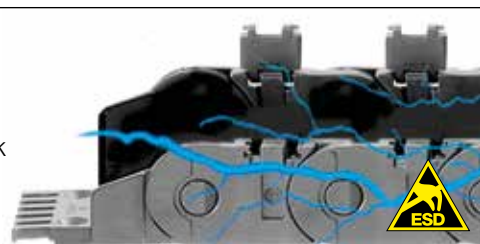
e-chains® | Series 1400 | Crossbars openable along the inner radius, from both sides
 e-chains® | Series 1500 | Crossbars openable along the outer radius, from both sides

Part No. e-chains® openable along inner radius	Part No. e-chains® openable along outer radius	Bi [mm]	Ba [mm]	R Available bend radii [mm]	1400 [kg/m]	1500 [kg/m]
1400.015 .R.0	1500.015 .R.0 [▲]	15	28.5	035 038 048 075 100 125 145 180	≈ 0.46	≈ 0.46
1400.020 .R.0 [⊙]	1500.020 .R.0	20	33.5	035 038 048 075 100 125 145 180	≈ 0.47	≈ 0.47
1400.025 .R.0 [⊙]	1500.025 .R.0 [▲]	25	38.5	035 038 048 075 100 125 145 180	≈ 0.49	≈ 0.49
1400.038 .R.0 [⊙]	1500.038 .R.0 [⊙]	38	51.5	035 038 048 075 100 125 145 180	≈ 0.53	≈ 0.53
1400.050 .R.0 [⊙]	1500.050 .R.0 [▲]	50	63.5	035 038 048 075 100 125 145 180	≈ 0.56	≈ 0.56
1400.068 .R.0 [⊙]	1500.068 .R.0 [▲]	68	81.5	035 038 048 075 100 125 145 180	≈ 0.63	≈ 0.63
1400.080 .R.0 [⊙]	1500.080 .R.0 [▲]	80	93.5	035 038 048 075 100 125 145 180	≈ 0.67	≈ 0.67
1400.100 .R.0 [⊙]	1500.100 .R.0	100	113.5	035 038 048 075 100 125 145 180	≈ 0.74	≈ 0.74
1400.125 .R.0	1500.125 .R.0	125	138.5	035 038 048 075 100 125 145 180	≈ 0.83	≈ 0.83

▲ ESD version (Electro Static Discharge) available from stock. More information ► From page 142
 ⊙ RBR version (Reverse Bend Radius), some radii available from stock. More information ► From page 130
 Half e-tubes, series 1450 and full e-tubes, series 1480 ► From page 388
 Complete Part No. with required radius (R). Example: 1500.038.100.0

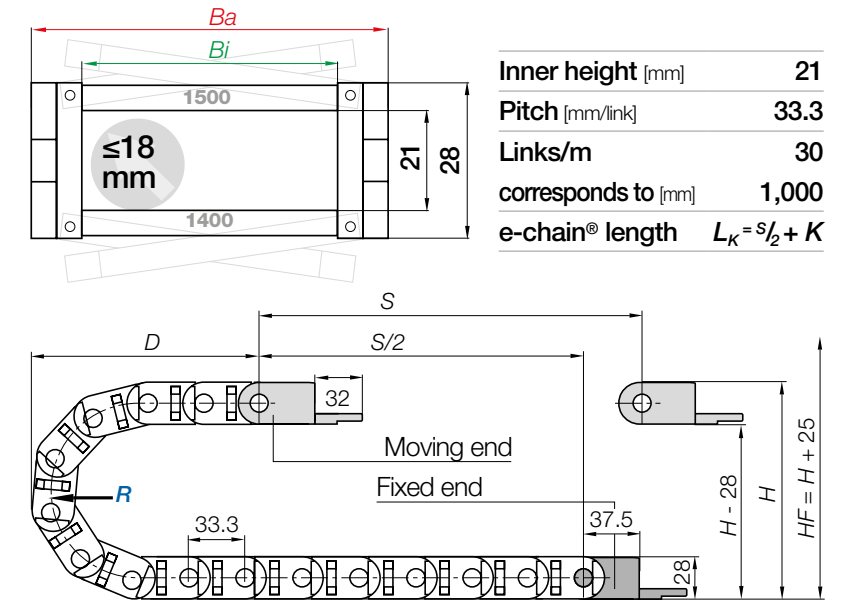
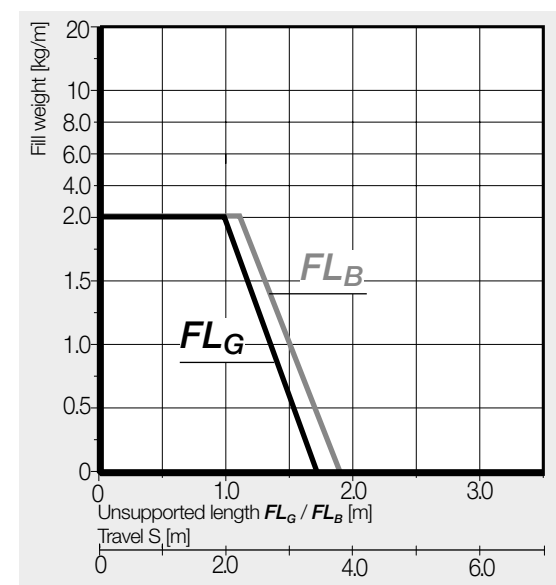
ESD - many sizes from stock

- Standardised product made from igumid ESD
 - ESD material tested for over 10 million cycles for the toughest requirements
 - Short delivery times including mounting brackets and interior separation; 24hrs, from stock
- More information and the complete product range
 ► From page 142 or at ► www.igus.eu/esd



Rotating energy supply systems with Reverse Bend Radius (RBR) - some radii available from stock

- Maximum rotation angle in minimal installation space
 - Minimal friction forces and maximum service life
 - Short delivery times, from stock
- More information and the complete product range ► From page 130



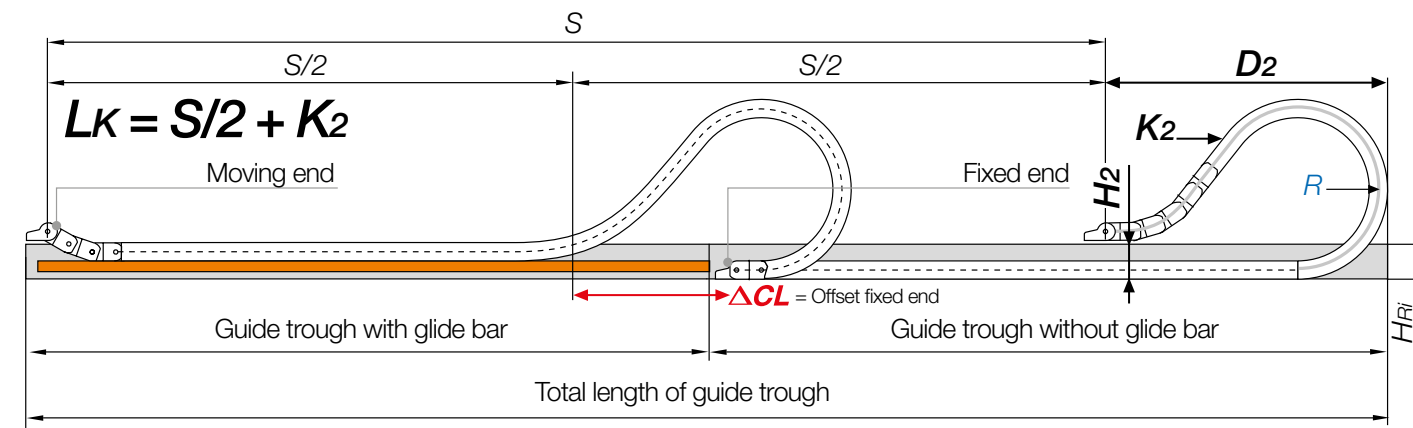
Inner height [mm]	21
Pitch [mm/link]	33.3
Links/m	30
corresponds to [mm]	1,000
e-chain® length	$L_K = S/2 + K$

R	035	038	048	075	100	125	145	180
H	98	104	124	178	228	278	318	388
D	99	102	112	139	164	189	209	244
K	180	190	220	305	385	460	525	635

The required clearance height: $H_F = H + 25\text{mm}$ (with 0.5kg/m fill weight)

Before using series 1400 on long travels please consult igus®.

Gliding applications | For travel lengths 10m to max. 75m



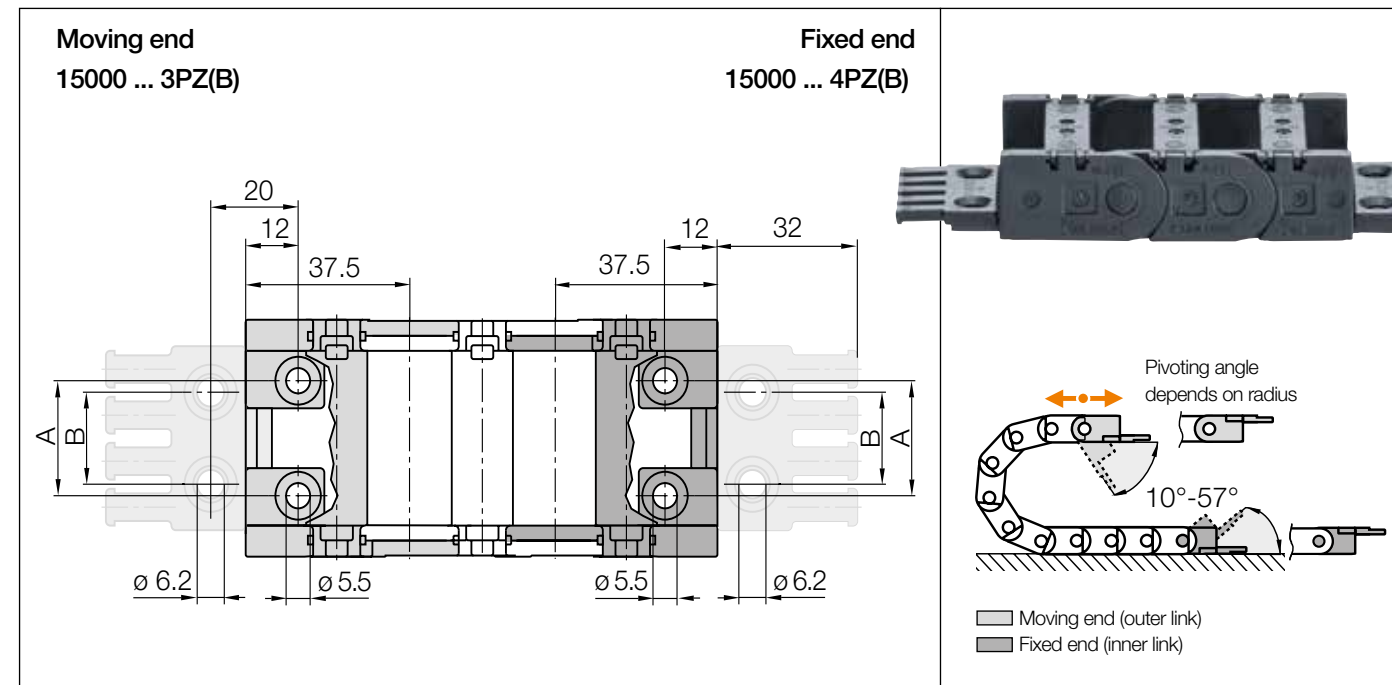
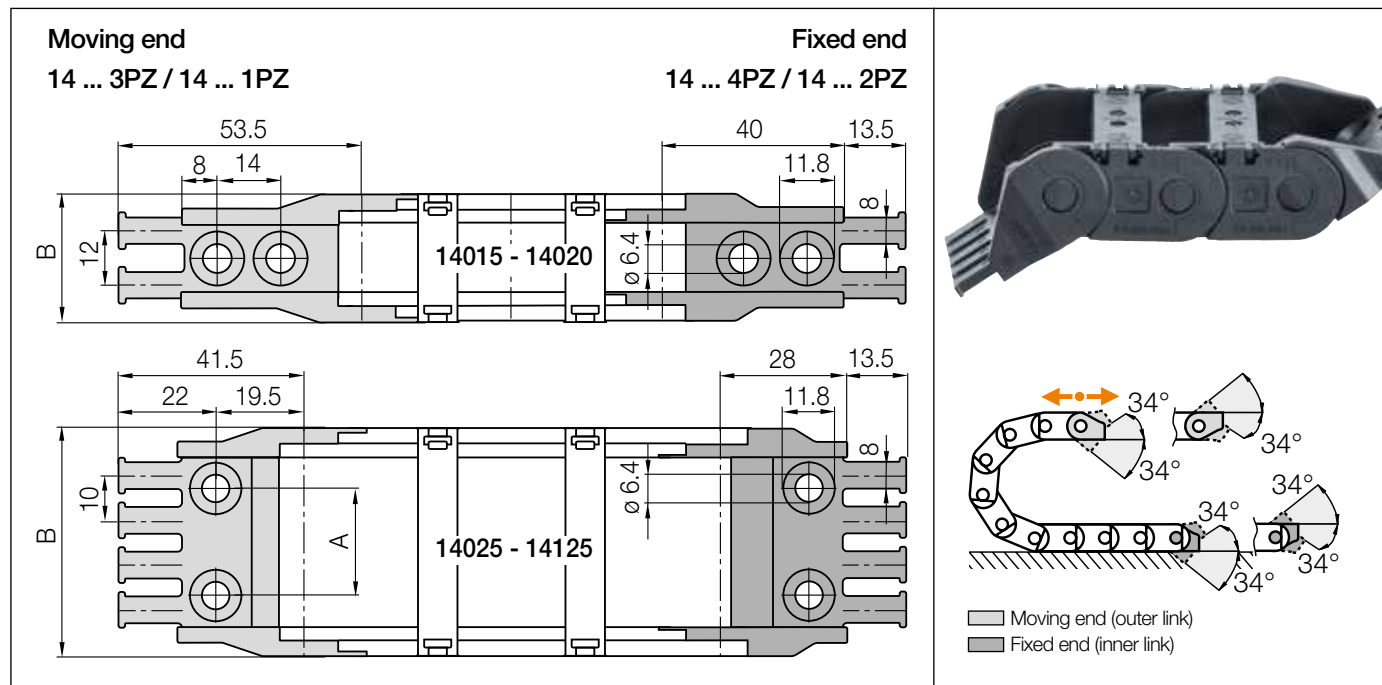
Note: before using series 1400/1450/1480 on long travels please consult igus®.

For long travels, igus® recommends series 1500 openable along the outer radius.

In case of travels between 4 and 10m we recommend an e-chain® with a longer unsupported length.

R	035	038	048	075	100	125	145	180
H ₂	70	76	96	150	100	100	100	100
D ₂ ⁺²⁵	99	102	112	139	340	495	540	690
K ₂	180	190	220	305	600	800	940	1,170
ΔCL	-	-	-	-	179	305	340	445

Before using series 1400 on long travels please consult igus®.



Polymer pivoting | Recommended for unsupported and gliding applications
Polymer locking | Recommended for vertical hanging and standing applications

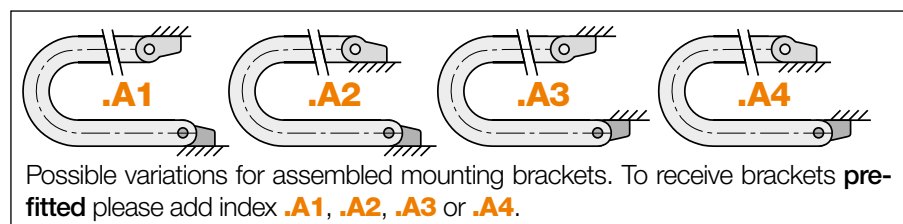
Width index	Part No. full set pivoting		Part No. full set locking		A [mm]	B [mm]	Number of teeth
	with tiewrap plates	without tiewrap plate	with tiewrap plates	without tiewrap plate			
015. ▶	14015.34PZ	-	14015.12PZ	-	-	28.5	2
020. ▶	14020.34PZ	-	14020.12PZ	-	-	33.5	2
025. ▶	14025.34PZ	-	14025.12PZ	-	13	38.5	2
038. ▶	14038.34PZ	-	14038.12PZ	-	24	51.5	4
050. ▶	14050.34PZ	-	14050.12PZ	-	36	63.5	5
068. ▶	14068.34PZ	-	14068.12PZ	-	54	81.5	7
080. ▶	14080.34PZ	-	14080.12PZ	-	66	93.5	8
100. ▶	14100.34PZ	-	14100.12PZ	-	86	113.5	10
125. ▶	14125.34PZ	-	14125.12PZ	-	111	138.5	13

Polymer pivoting | Recommended for unsupported and gliding applications
For tight installation spaces

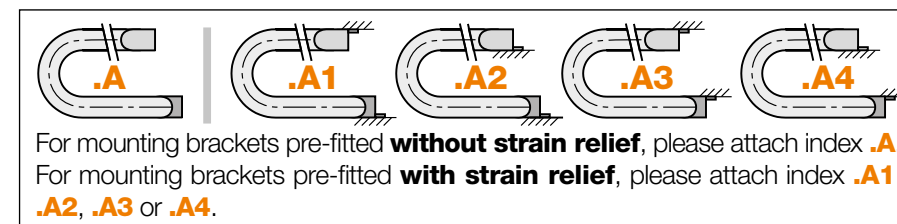
Width index	Part No. full set pivoting		Part No. full set locking		A [mm]	B [mm]	Number of teeth
	with tiewrap plates	without tiewrap plate	with tiewrap plates	without tiewrap plate			
015. ▶	-	-	-	-	-	-	-
020. ▶	-	-	-	-	-	-	-
025. ▶	15000.025.34PZB	15000.025.34PZ	-	-	12	15	3
038. ▶	15000.038.34PZB	15000.038.34PZ	-	-	25	20	4
050. ▶	15000.050.34PZB	15000.050.34PZ	-	-	37	30	5
068. ▶	15000.068.34PZB	15000.068.34PZ	-	-	55	40	6
080. ▶	15000.080.34PZB	15000.080.34PZ	-	-	67	60	8
100. ▶	15000.100.34PZB	15000.100.34PZ	-	-	87	80	10
125. ▶	15000.125.34PZB*	15000.125.34PZ*	-	-	112	100	12

*Tiewrap plate (consists of 2x2050.ZB) does not snap on but needs to be bolted down separately.

Note: mounting brackets not to assemble at the gable end.



14038.34PZ.A1 Order example
 .A... to indicate option with brackets pre-fitted
 With integrated strain relief tiewrap plates
 Full set
 Series



15000.038.34PZ.A1 Order example
 .A... to indicate option with brackets pre-fitted
 With integrated strain relief tiewrap plates
 Full set
 Width index
 Series



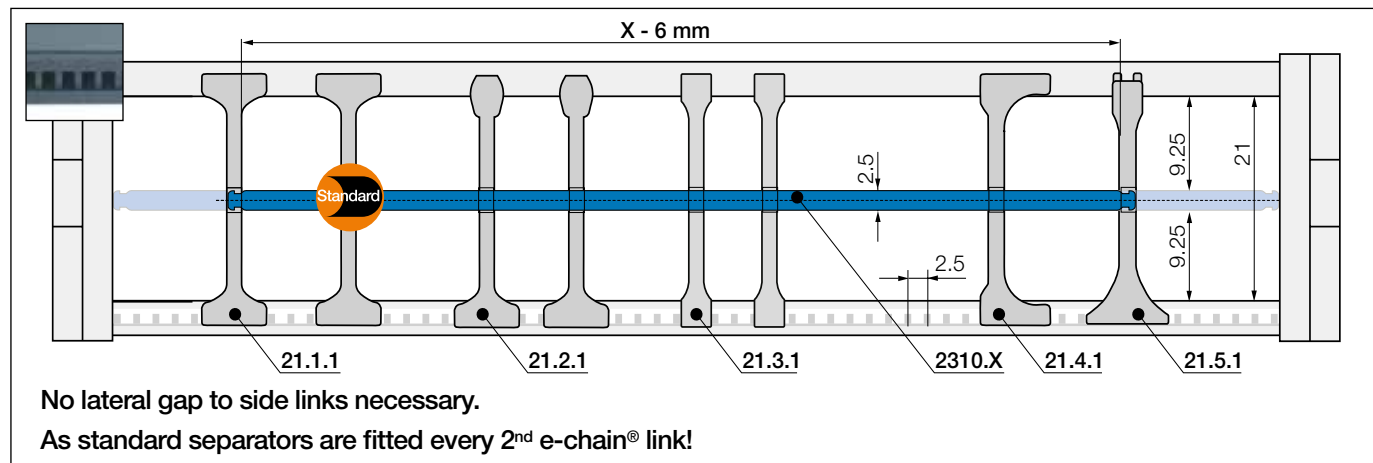
Option: steel mounting bracket, locking. For e-chains® and e-tubes, Part No. 14000.12
 ● Locking connections ● One part (2-piece) for all e-chain® widths ● Electrically conductive

Strain relief e.g. clamps, tiewrap plates, nuggets and clips are available from stock. The complete chainfix range with ordering options ▶ From page 1392

Strain relief e.g. clamps, tiewrap plates, nuggets and clips are available from stock. The complete chainfix range with ordering options ▶ From page 1392

Interior separation | Increase cable service life

Previous generation of interior separation with other options ► www.igus.eu/1400 ► www.igus.eu/1500



Standard separator, wide base

		unassembled	21.1
		assembled	21.1.1

Standard - for any application
Separator with a wide base for maximum holding force.

Separator, narrow top

		unassembled	21.2
		assembled	21.2.1

For even faster installation
Wide on one side for high holding force, narrow on opposite side for easy cable fitting.

Separator, narrow

		unassembled	21.3
		assembled	21.3.1

For small cables
Separator with a narrow base for a large number of small cables side by side. Saves space.

Separator, asymmetrical

		unassembled	21.4
		assembled	21.4.1

For side-mounted applications
Asymmetrical separator, for defined gap distance. No additional spacers required.

Notch separator for notched crossbar

		unassembled	21.5
		assembled	21.5.1

Locks securely in preset increments
Notch separator for exact positioning. Recommended for side-mounted applications.
Note: For this series notches only on fixed crossbars, not on openable crossbars

Shelf, lockable

		unassembled	2300.X
		assembled	2310.X

Horizontal separation
Full-width shelf locks securely into separators at both ends, giving a fixed width. Can be used as full-width or partial shelf.

Shelves Width = X [mm]	X [mm]		X [mm]		X [mm]	
	unassembled	assembled	unassembled	assembled	unassembled	assembled
	015	2300.015	2310.015	060	2300.060	2310.060
	025	2300.025	2310.025	062	2300.062	2310.062
	030	2300.030	2310.030	065	2300.065	2310.065
	038	2300.038	2310.038	070	2300.070	2310.070
	040	2300.040	2310.040	075	2300.075	2310.075
	050	2300.050	2310.050	077	2300.077	2310.077
	057	2300.057	2310.057	080	2300.080	2310.080
				087	2300.087	2310.087
				090	2300.090	2310.090
				100	2300.100	2310.100
				103	2300.103	2310.103
				110	2300.110	2310.110
				120	2300.120	2310.120
				125	2300.125	2310.125

Separator with integrated strain relief teeth

- Can be integrated into the mounting bracket or placed at any point
 - Combines strain relief and interior separation, for restricted space conditions
 - Strain relief separator is easy to assemble without any screws
- Part No. 21.1.Z - more information ► From page 1424



Aluminium support tray

- Corrosion-resistant and seawater-resistant aluminium rails with adjustable width
 - Noise-reducing glide strip integrated as standard
 - Easy installation and connection of the e-chain®
 - Open design - dirt and debris fall through
- More information ► From page 1362



E2/000 series 1400 in aircraft refuelling truck - telescopic crane with six sections



► Page 379

Half e-tubes | Series 1450 | Crossbars openable along inner radius from both sides, closed along outer radius
Full e-tubes | Series 1480 | Lids openable along inner radius from both sides, fully enclosed

Part No. half e-tubes openable along the inner radius	Part No. full e-tubes openable along the inner radius	Bi [mm]	Ba [mm]	R Available bend radii										1450 [kg/m]	1480 [kg/m]
				035*	038*	048*	075	100	125	145	180				
1450.015.R.0	1480.015.R.0	15	28.5	035*	038*	048*	075	100	125	145	180	≈ 0.48	≈ 0.50		
1450.025.R.0	1480.025.R.0	25	38.5	035*	038*	048*	075	100	125	145	180	≈ 0.54	≈ 0.57		
1450.038.R.0	1480.038.R.0	38	51.5	035*	038*	048*	075	100	125	145	180	≈ 0.59	≈ 0.61		
1450.050.R.0	1480.050.R.0	50	63.5	035*	038*	048*	075	100	125	145	180	≈ 0.65	≈ 0.67		
1450.068.R.0	1480.068.R.0	68	81.5	035*	038*	048*	075	100	125	145	180	≈ 0.74	≈ 0.77		
1450.080.R.0	1480.080.R.0	80	93.5	035*	038*	048*	075	100	125	145	180	≈ 0.80	≈ 0.84		
1450.100.R.0	1480.100.R.0	100	113.5	035*	038*	048*	075	100	125	145	180	≈ 0.90	≈ 0.95		
1450.125.R.0	1480.125.R.0	125	138.5	035*	038*	048*	075	100	125	145	180	≈ 1.03	≈ 1.08		

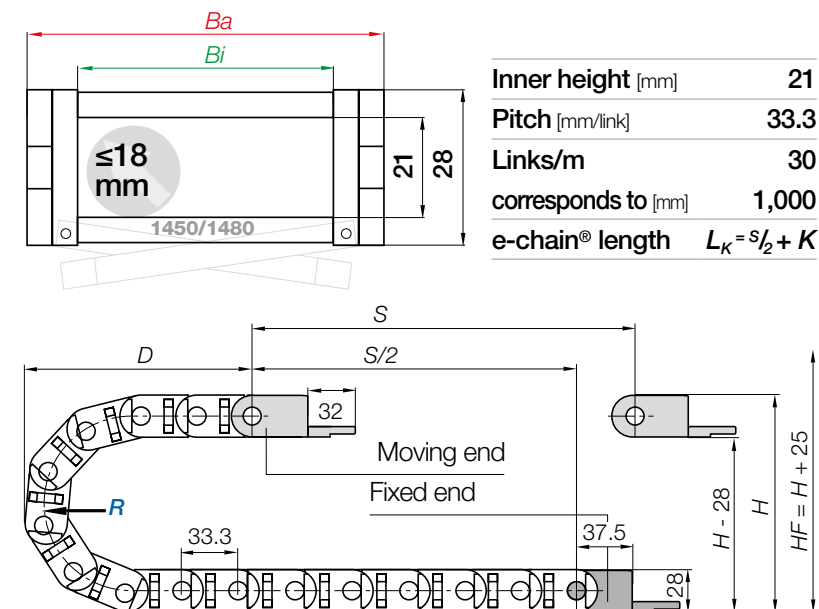
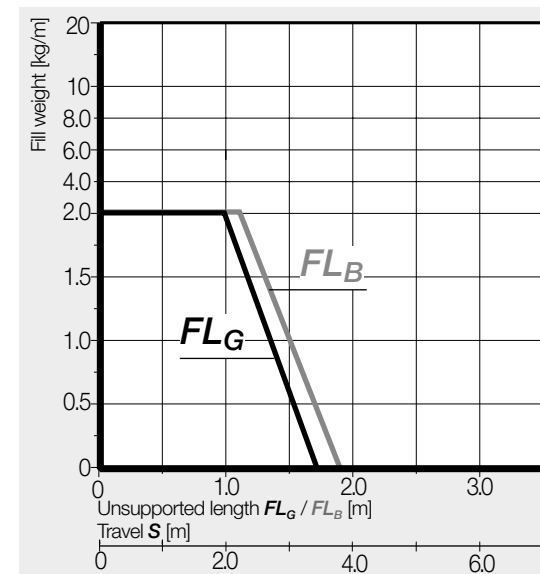
*Radius available upon request. Please consult igus® for delivery time.

For radii 035, 038, 048 the e-tube is not fully enclosed. Please consult igus®.

Complete Part No. with required radius (R). Example: 1450.038.100.0



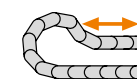
► 1392



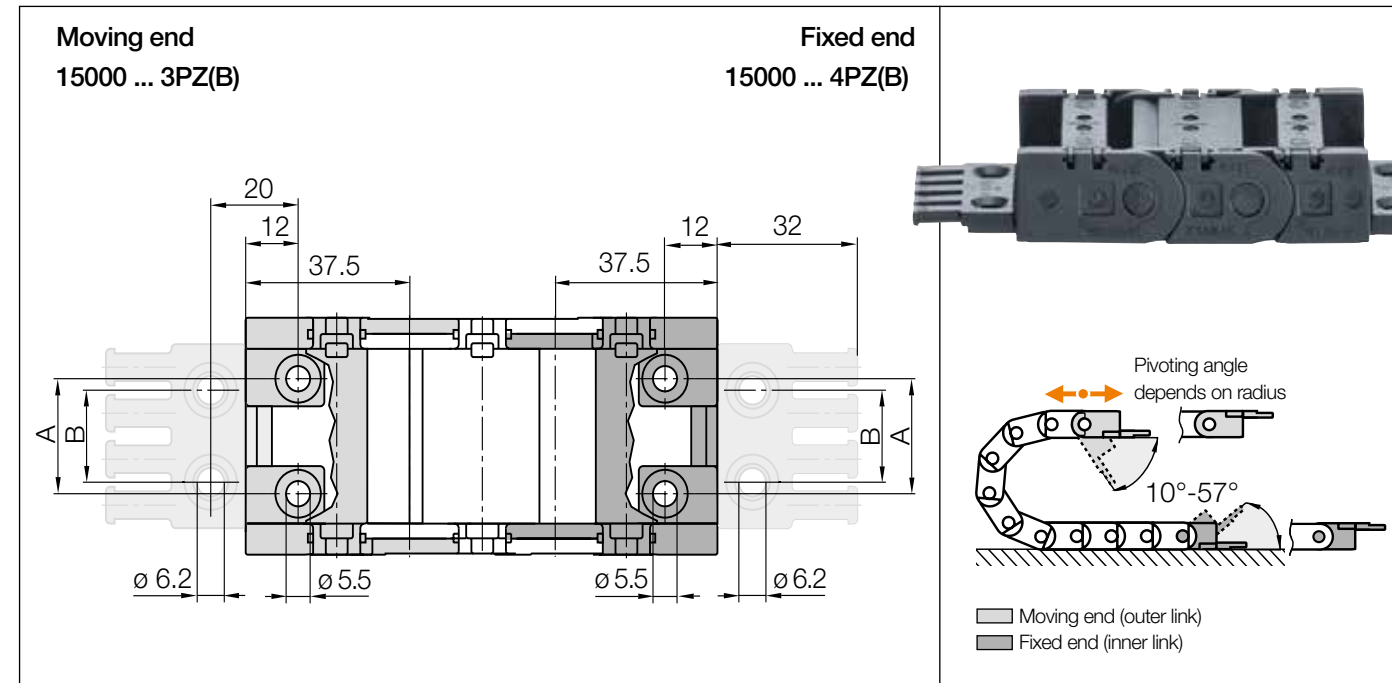
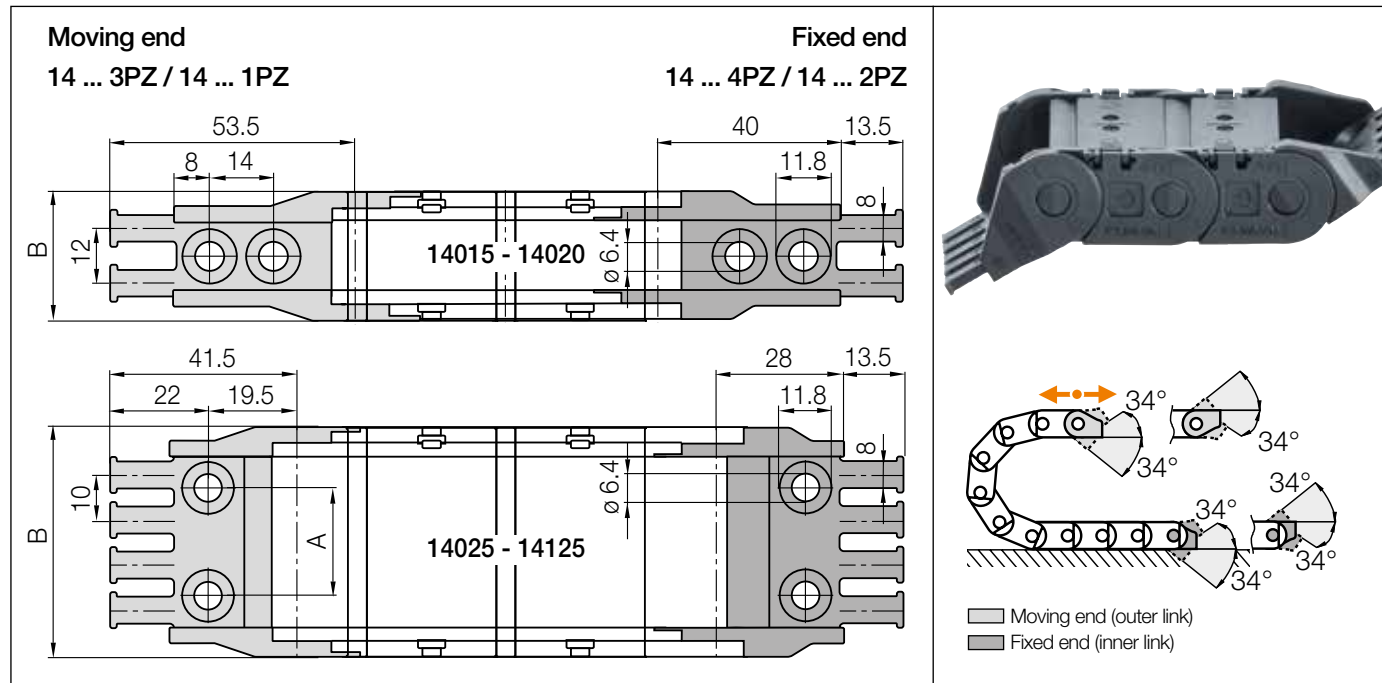
R	035*	038*	048*	075	100	125	145	180
H	98	104	124	178	228	278	318	388
D	99	102	112	139	164	189	209	244
K	180	190	220	305	385	460	525	635

The required clearance height: $H_F = H + 25\text{mm}$ (with 0.5kg/m fill weight)

*Radius available upon request. Please consult igus® for delivery time. Before using series 1450/1480 on long travels please consult igus®.



i If a gliding application is required for a long travel, please consult igus®.



Polymer pivoting | Recommended for unsupported applications
Polymer locking | Recommended for vertical hanging and standing applications

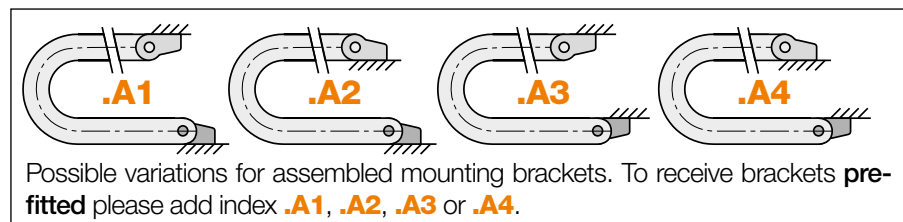
Width index	Part No. full set pivoting		Part No. full set locking		A [mm]	B [mm]	Number of teeth
	with tiewrap plates	without tiewrap plate	with tiewrap plates	without tiewrap plate			
015. ▶	14015.34PZ	-	14015.12PZ	-	-	28.5	2
025. ▶	14025.34PZ	-	14025.12PZ	-	13	38.5	2
038. ▶	14038.34PZ	-	14038.12PZ	-	24	51.5	4
050. ▶	14050.34PZ	-	14050.12PZ	-	36	63.5	5
068. ▶	14068.34PZ	-	14068.12PZ	-	54	81.5	7
080. ▶	14080.34PZ	-	14080.12PZ	-	66	93.5	8
100. ▶	14100.34PZ	-	14100.12PZ	-	86	113.5	10
125. ▶	14125.34PZ	-	14125.12PZ	-	111	138.5	13

Polymer pivoting | Recommended for unsupported and gliding applications
For tight installation spaces

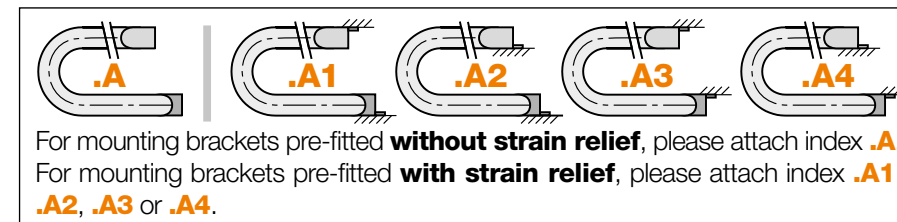
Width index	Part No. full set pivoting		Part No. full set locking		A [mm]	B [mm]	Number of teeth
	with tiewrap plates	without tiewrap plate	with tiewrap plates	without tiewrap plate			
015. ▶	-	-	-	-	-	-	-
025. ▶	15000.025.34PZB	15000.025.34PZ	-	-	12	15	3
038. ▶	15000.038.34PZB	15000.038.34PZ	-	-	25	20	4
050. ▶	15000.050.34PZB	15000.050.34PZ	-	-	37	30	5
068. ▶	15000.068.34PZB	15000.068.34PZ	-	-	55	40	6
080. ▶	15000.080.34PZB	15000.080.34PZ	-	-	67	60	8
100. ▶	15000.100.34PZB	15000.100.34PZ	-	-	87	80	10
125. ▶	15000.125.34PZB*	15000.125.34PZ*	-	-	112	100	12

*Tiewrap plate (consists of 2x2050.ZB) does not snap on but needs to be bolted down separately.

Note: mounting brackets not to assemble at the gable end.



14038.34PZ.A1 Order example
 .A... to indicate option with brackets pre-fitted
 With integrated strain relief tiewrap plates
 Full set
 Series



15000.038.34PZ.A1 Order example
 .A... to indicate option with brackets pre-fitted
 With integrated strain relief tiewrap plates
 Full set
 Width index
 Series

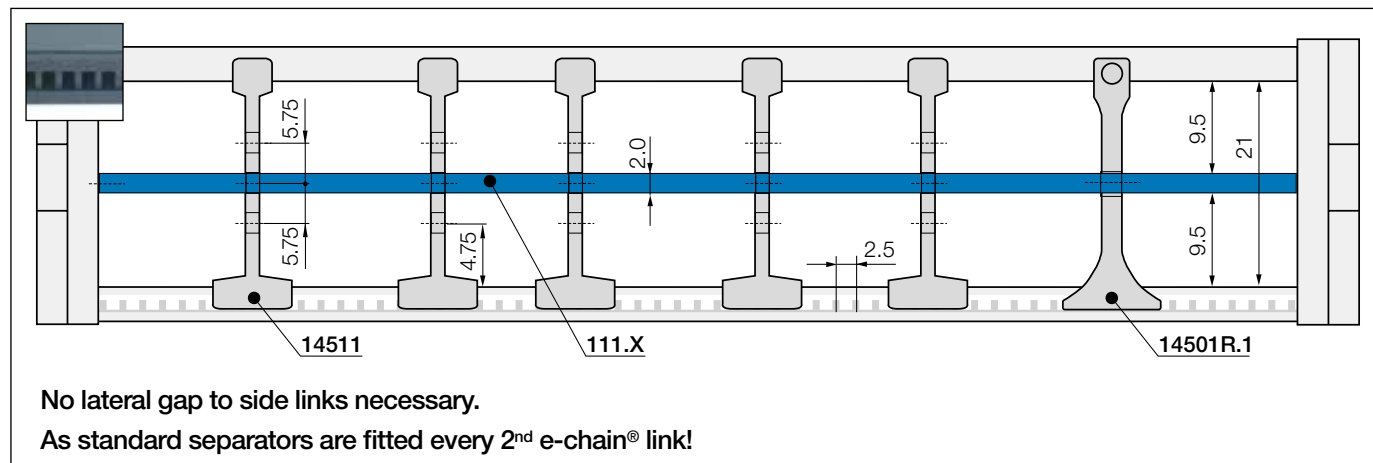


Option: steel mounting bracket, locking. For e-chains® and e-tubes, Part No. 14000.12
 ● Locking connections ● One part (2-piece) for all e-chain® widths ● Electrically conductive

Strain relief e.g. clamps, tiewrap plates, nuggets and clips are available from stock. The complete chainfix range with ordering options ▶ From page 1392

Strain relief e.g. clamps, tiewrap plates, nuggets and clips are available from stock. The complete chainfix range with ordering options ▶ From page 1392

Interior separation



Slotted separator

unassembled	14501
assembled	14511

Slotted separator
Vertical separation. The slot allows basic vertical/horizontal shelving arrangements.

Notch separator for notched crossbar

unassembled	14501R
assembled	14501R.1

Locks securely in preset increments
Notch separator for exact positioning. Recommended for side-mounted applications.
Note: For this series notches only on fixed crossbars, not on openable crossbars/lids

Full-width shelf for e-tubes

unassembled	110.X
assembled	111.X

Full-width shelf
This option is for applications with many small cables with similar diameters. For full-width separation.

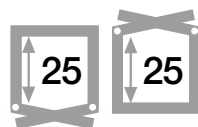
Full-width shelves Width = X [mm]	X [mm]		X [mm]		X [mm]			
	unassembled	assembled	unassembled	assembled	unassembled	assembled		
015	110.15	111.15	038	110.38	111.38	080	110.80	111.80
020	110.20	111.20	050	110.50	111.50	100	110.100	111.100
025	110.25	111.25	068	110.68	111.68	125	110.125	111.125

Aluminium support tray

- Corrosion-resistant and seawater-resistant aluminium rails with adjustable width
 - Noise-reducing glide strip integrated as standard
 - Easy installation and connection of the e-chain®
 - Open design - dirt and debris fall through
- More information ► From page 1362



Delivery of an igus® readychain® - here system E2/000 complete with chainflex® cables pre-fitted



e-chains® Series 2400 | Crossbars openable along the inner radius, from both sides
 e-chains® Series 2500 | Crossbars openable along the outer radius, from both sides

Part No. e-chains® openable along inner radius	Part No. e-chains® openable along outer radius	Bi [mm]	Ba [mm]	R Available bend radii [mm]	2400 [kg/m]	2500 [kg/m]
2400.02.R.0	2500.02.R.0 [Ⓜ]	25	41	055 075 100 125 150 175 200 225 250	≈ 0.77	≈ 0.77
2400.03.R.0 [Ⓜ]	2500.03.R.0 [Ⓜ]	38	54	055 075 100 125 150 175 200 225 250	≈ 0.83	≈ 0.83
2400.05.R.0	2500.05.R.0 [Ⓜ]	57	73	055 075 100 125 150 175 200 225 250	≈ 0.91	≈ 0.91
2400.07.R.0	2500.07.R.0 [Ⓜ]	77	93	055 075 100 125 150 175 200 225 250	≈ 1.01	≈ 1.01
2400.09.R.0	2500.09.R.0 [Ⓜ]	89	105	055 075 100 125 150 175 200 225 250	≈ 1.08	≈ 1.08
2400.10.R.0	2500.10.R.0 [Ⓜ]	103	119	055 075 100 125 150 175 200 225 250	≈ 1.15	≈ 1.15
2400.12.R.0	2500.12.R.0 [Ⓜ]	125	141	055 075 100 125 150 175 200 225 250	≈ 1.22	≈ 1.22

⚠ ESD version (Electro Static Discharge) available from stock. More information ▶ From page 142

Ⓜ RBR version (Reverse Bend Radius), some radii available from stock. More information ▶ From page 130

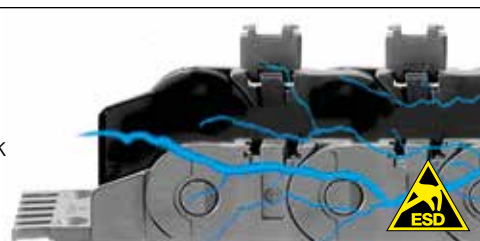
Half e-tubes, series 2450 and full e-tubes, series 2480 ▶ From page 400

Complete Part No. with required radius (R). Example: 2500.03.100.0

ESD - many sizes from stock

- Standardised product made from igumid ESD
- ESD material tested for over 10 million cycles for the toughest requirements
- Short delivery times including mounting brackets and interior separation; 24hrs, from stock

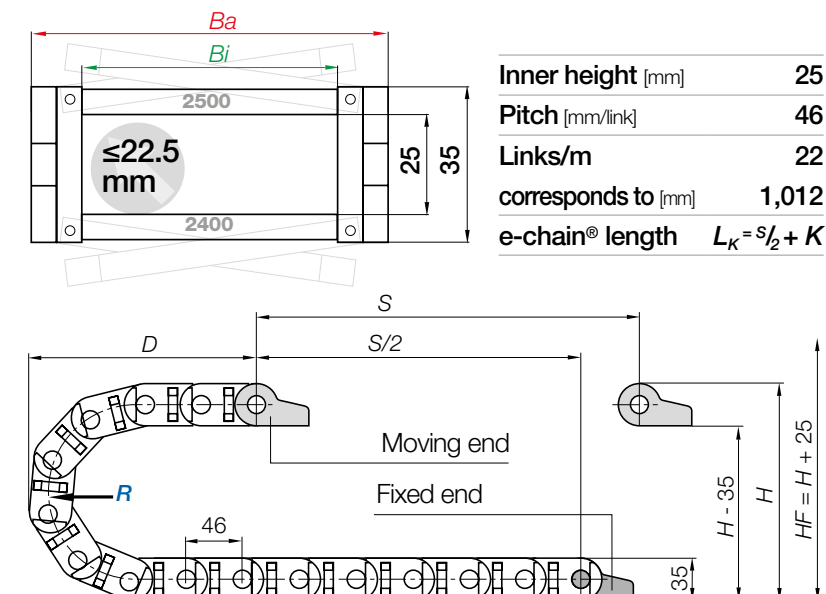
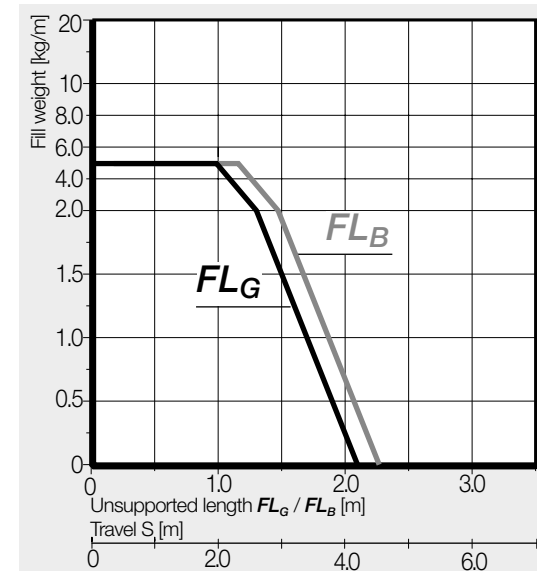
More information and the complete product range
 ▶ From page 142 or at ▶ www.igus.eu/esd



Rotating energy supply systems with Reverse Bend Radius (RBR) - some radii available from stock

- Maximum rotation angle in minimal installation space
- Minimal friction forces and maximum service life
- Short delivery times, from stock

More information and the complete product range ▶ From page 130

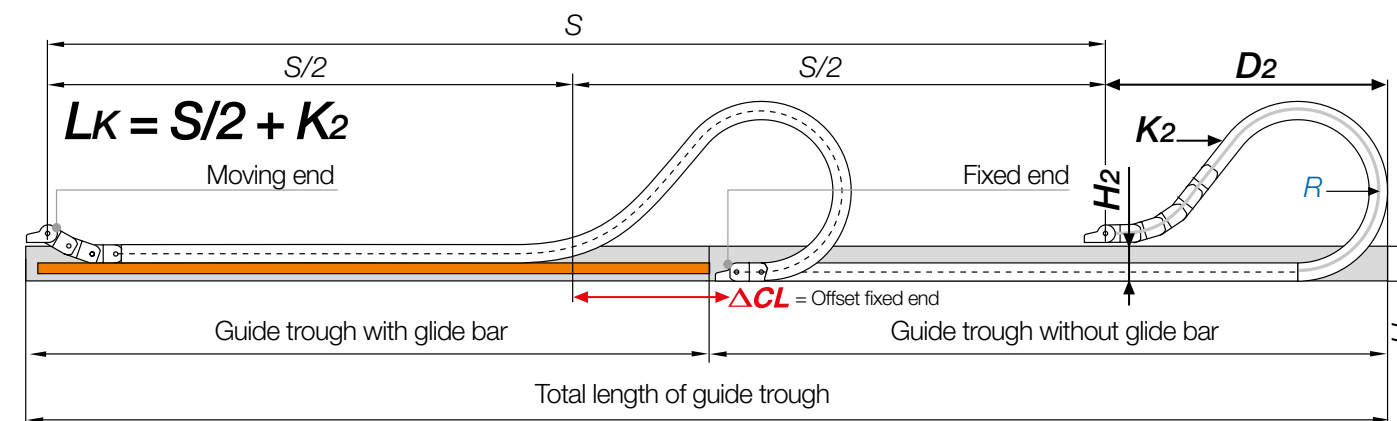


R	055	075	100	125	150	175	200	225	250
H	145	185	235	285	335	385	435	485	535
D	142	162	187	212	237	262	287	312	337
K	265	330	410	485	565	645	725	800	880

The required clearance height: $H_F = H + 25\text{mm}$ (with 1.5kg/m fill weight)

Before using series 2400 on long travels please consult igus®.

Gliding applications | For travel lengths 10m to max. 100m



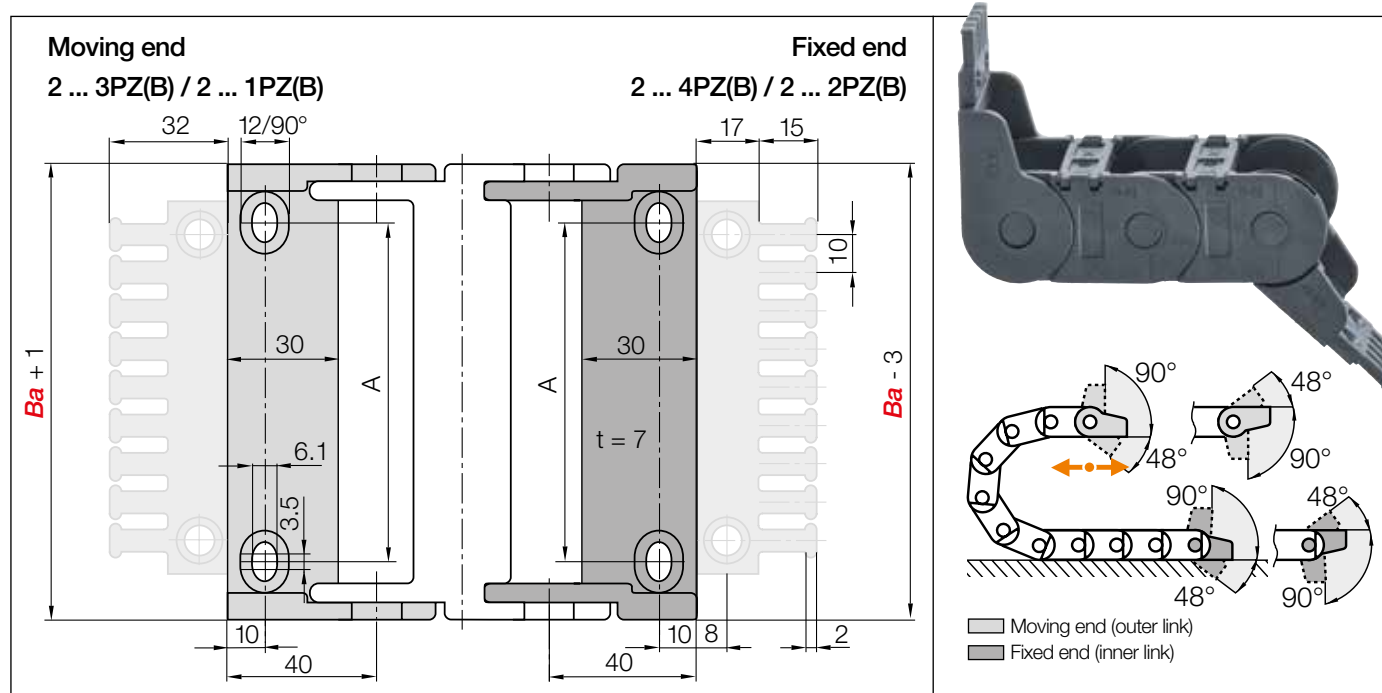
Note: before using series 2400/2450/2480 on long travels please consult igus®.

For long travels, igus® recommends series 2500 openable along the outer radius.

In case of travels between 4 and 10m we recommend an e-chain® with a longer unsupported length.

R	055	075	100	125	150	175	200	225	250
H ₂	110	150	100	100	100	100	100	100	100
D ₂ ⁺²⁵	142	162	380	440	590	755	950	1,040	1,130
K ₂	265	330	644	736	1,012	1,242	1,472	1,610	1,794
ΔCL	-	-	204	244	364	504	674	754	804

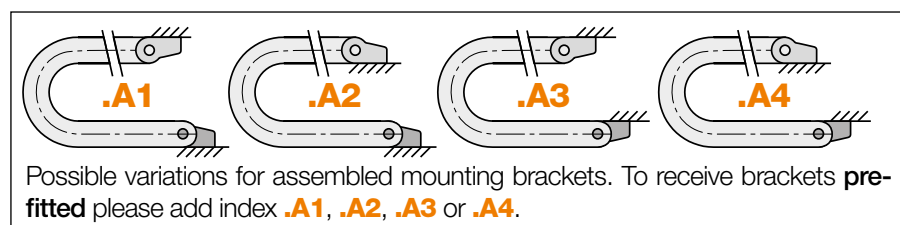
Before using series 2400 on long travels please consult igus®.



Polymer pivoting | Recommended for unsupported and gliding applications
Polymer locking | Recommended for vertical hanging and standing applications

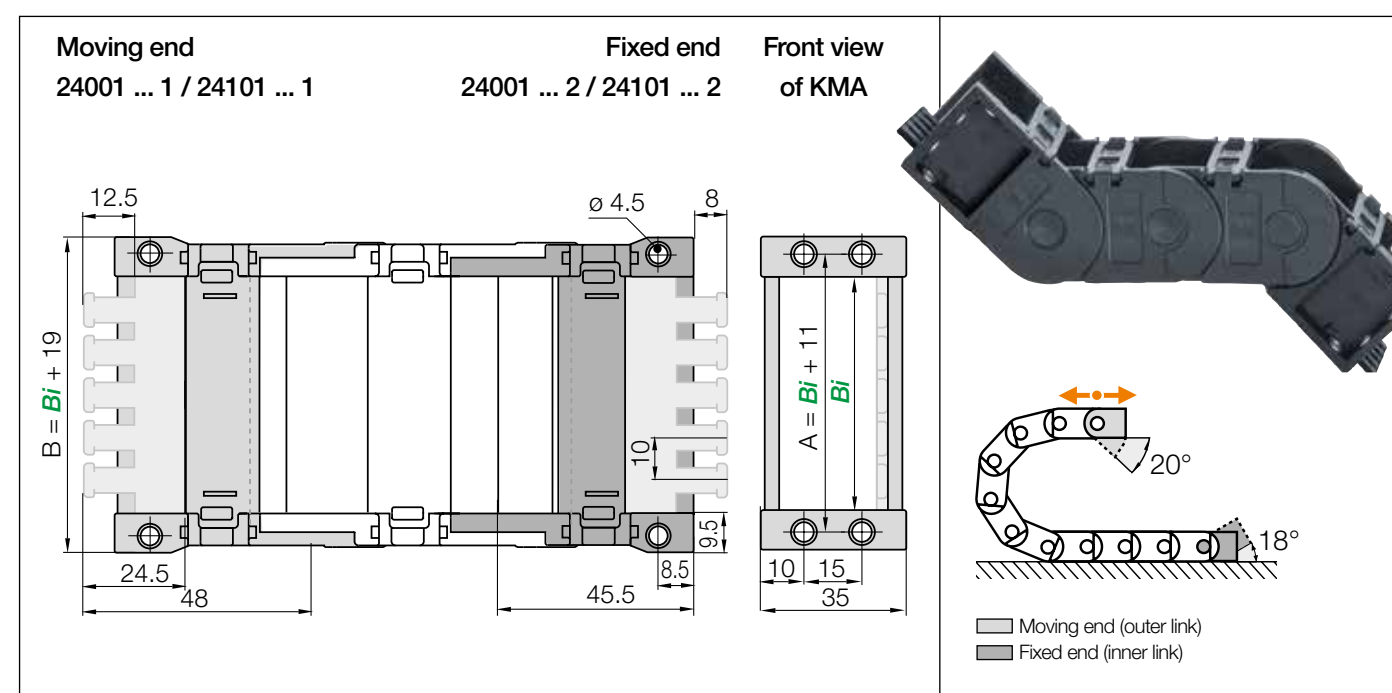
Width index	Part No. full set pivoting		Part No. full set locking		A [mm]	Number of teeth
	with tiewrap plates	without tiewrap plate	with tiewrap plates	without tiewrap plate		
02.	2020.34PZB	2020.34PZ	2020.12PZB	2020.12PZ	12	3
03.	2030.34PZB	2030.34PZ	2030.12PZB	2030.12PZ	25	4
05.	2050.34PZB	2050.34PZ	2050.12PZB	2050.12PZ	44	6
07.	2070.34PZB	2070.34PZ	2070.12PZB	2070.12PZ	64	8
09.	2090.34PZB	2090.34PZ	2090.12PZB	2090.12PZ	77	9
10.	2100.34PZB	2100.34PZ	2100.12PZB	2100.12PZ	90	10
12.	2125.34PZB	2125.34PZ	2125.12PZB	2125.12PZ	112	12

Full set with tiewrap plate + 10 cable tiewraps, please add index **K1**. Example: 2020.34PZBK1



2020.34PZBA1 Order example
 .A... to indicate option with brackets pre-fitted
 With integrated strain relief tiewrap plates
 Full set
 Series

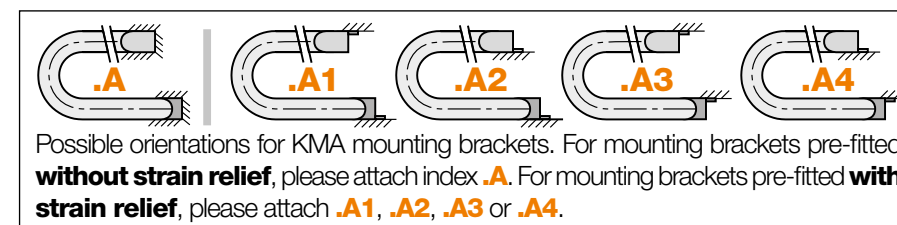
Strain relief e.g. clamps, tiewrap plates, nuggets and clips are available from stock. The complete chainfix range with ordering options ▶ From page 1392



KMA pivoting | Recommended for unsupported and gliding applications
KMA locking | Recommended for vertical hanging and standing applications

Width index	Part no. full set KMA pivoting		Part No. full set KMA locking		A [mm]	B [mm]	Number of teeth
	with tiewrap plates	without tiewrap plate	with tiewrap plates	without tiewrap plate			
02.	24001.02.12ZB	24001.02.12	24101.02.12ZB	24101.02.12	36	44	2
03.	24001.03.12ZB	24001.03.12	24101.03.12ZB	24101.03.12	49	57	4
05.	24001.05.12ZB	24001.05.12	24101.05.12ZB	24101.05.12	68	76	6
07.	24001.07.12ZB	24001.07.12	24101.07.12ZB	24101.07.12	88	86	7
09.	24001.09.12ZB	24001.09.12	24101.09.12ZB	24101.09.12	100	108	9
10.	24001.10.12ZB	24001.10.12	24101.10.12ZB	24101.10.12	114	122	10
12.	24001.12.12ZB	24001.12.12	24101.12.12ZB	24101.12.12	136	144	12

(KMA = polymer metal mounting bracket)



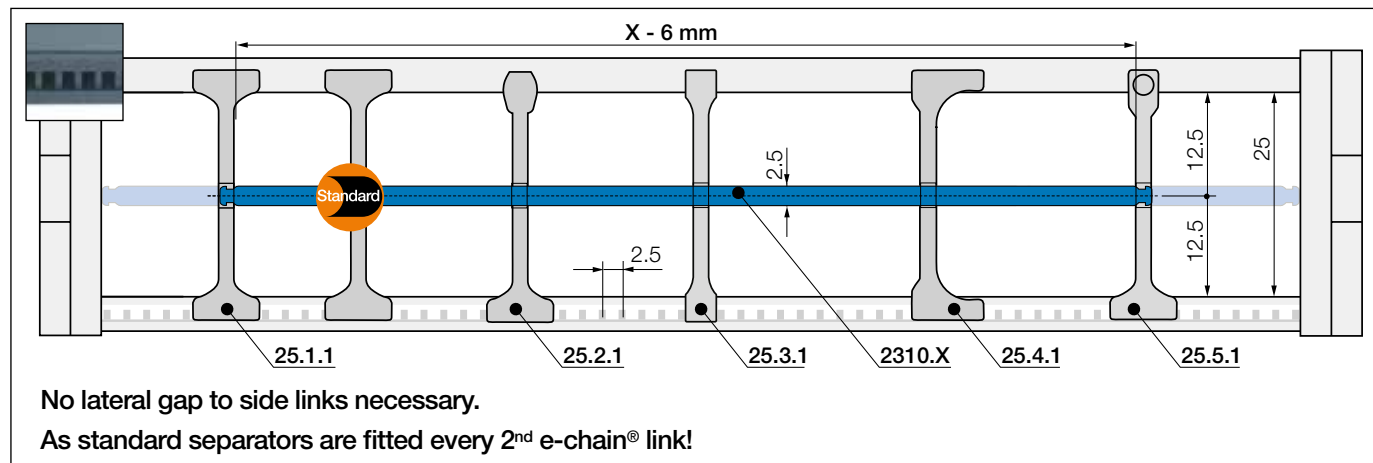
24001.02.12ZB.A2 Order example
 .A... to indicate option with brackets pre-fitted
 With integrated strain relief tiewrap plates
 Full set
 Width index
 Series

Option: steel mounting bracket, pivoting. For e-chains® and e-tubes, Part No. 2000.32
 ● Pivoting connections ● One part (2-piece) for all e-chain® widths ● Electrically conductive

Strain relief e.g. clamps, tiewrap plates, nuggets and clips are available from stock. The complete chainfix range with ordering options ▶ From page 1392

Interior separation | Increase cable service life

Previous generation of interior separation with other options ► www.igus.eu/2400 ► www.igus.eu/2500



No lateral gap to side links necessary.
As standard separators are fitted every 2nd e-chain® link!

	2.5		Standard separator, wide base
	10		unassembled 25.1 assembled 25.1.1

Standard - for any application
Separator with a wide base for maximum holding force.

	3		Separator, narrow top
	2.5		unassembled 25.2 assembled 25.2.1

For even faster installation
Wide on one side for high holding force, narrow on opposite side for easy cable fitting.

	2.5		Separator, narrow
	5		unassembled 25.3 assembled 25.3.1

For small cables
Separator with a narrow base for a large number of small cables side by side. Saves space.

	2.5		Separator, asymmetrical
	12.5		unassembled 25.4 assembled 25.4.1

For side-mounted applications
Asymmetrical separator, for defined gap distance. No additional spacers required.

	4		Notch separator for notched crossbar
	2.5		unassembled 25.5 assembled 25.5.1

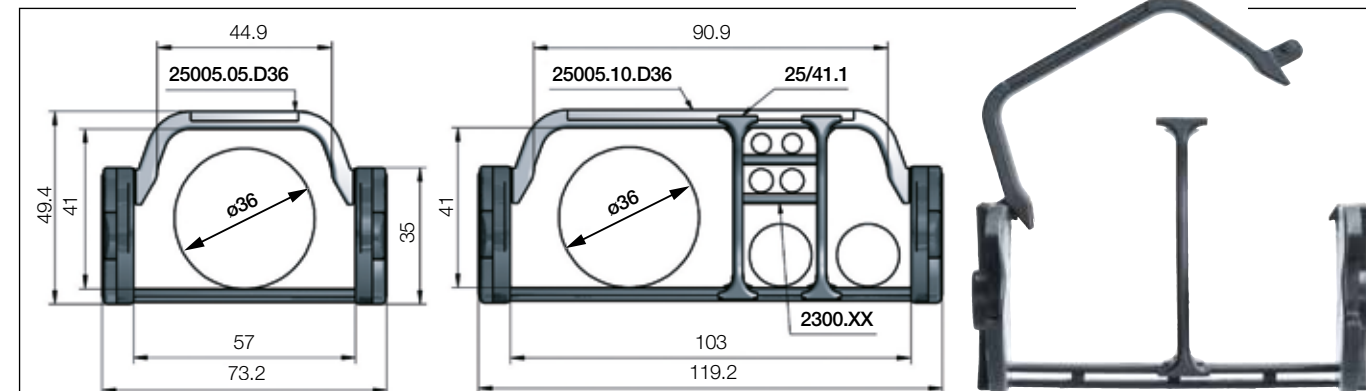
Locks securely in preset increments
Notch separator for exact positioning. Recommended for side-mounted applications.
Note: For this series notches only on fixed crossbars, not on openable crossbars

	X-1		Shelf, lockable
			unassembled 2300.X assembled 2310.X

Horizontal separation
Full-width shelf locks securely into separators at both ends, giving a fixed width. Can be used as full-width or partial shelf.

Shelves Width = X [mm]	X [mm]		X [mm]		X [mm]	
	unassembled	assembled	unassembled	assembled	unassembled	assembled
	015	2300.015	2310.015	060	2300.060	2310.060
	025	2300.025	2310.025	062	2300.062	2310.062
	030	2300.030	2310.030	065	2300.065	2310.065
	038	2300.038	2310.038	070	2300.070	2310.070
	040	2300.040	2310.040	075	2300.075	2310.075
	050	2300.050	2310.050	077	2300.077	2310.077
	057	2300.057	2310.057	080	2300.080	2310.080
				125	2300.125	2310.125

e-chains® with extender crossbar | Product Range



e-chains® with extender crossbars - large increase of the interior space for the smooth guiding of large hoses.
Suitable for hoses with a maximum outer diameter of 36mm.

Part No. e-chains® Extender crossbars openable along inner radius	Part No. e-chains® Extender crossbars openable along outer radius	Bi [mm]	Ba [mm]	R Available bend radii [mm]
2400.05 D36 .R.0	2500.05 D36 .R.0	57	73	055* 075 100 125 150 175 200 225 250
2400.10 D36 .R.0	2500.10 D36 .R.0	103	119	055* 075 100 125 150 175 200 225 250

* Radius 055 only possible with e-chains® series 2500, openable along outer radius!
Complete Part No. with required radius (R). Example: 2500.05D36.100.0

Interior separation for e-chains® with extender crossbars

	2.5		Separator e-chain® with extender crossbars
	47		unassembled 25/41.1 assembled 25/41.1.1

	X-1		Shelf, lockable
			unassembled 2300.X assembled 2310.X

Standard separator, wide base
Separator with a wide base for maximum holding force.
As standard separators are fitted every 2nd e-chain® link!

Horizontal separation
Full-width shelf locks securely into separators at both ends, giving a fixed width. Can be used as full-width or partial shelf.

Separator with integrated strain relief teeth

- Can be integrated into the mounting bracket or placed at any point
 - Combines strain relief and interior separation, for restricted space conditions
 - Strain relief separator is easy to assemble without any screws
- Part No. 2020.Z - more information ► From page 1424



Aluminium support tray

- Corrosion-resistant and seawater-resistant aluminium rails with adjustable width
 - Noise-reducing glide strip integrated as standard
 - Easy installation and connection of the e-chain®
 - Open design - dirt and debris fall through
- More information ► From page 1362





► Page 379

... 2450 ... 2480

Half e-tubes | Series 2450 | Crossbars openable along inner radius from both sides, closed along outer radius
Full e-tubes | Series 2480 | Lids openable along inner radius from both sides, fully enclosed

Part No. half e-tubes openable along the inner radius	Part No. full e-tubes openable along the inner radius	Bi [mm]	Ba [mm]	R Available bend radii [mm]	2450 [kg/m]	2480 [kg/m]
2450.02.R.0	2480.02.R.0	25	41	055* 075 100 125 150 175 200 225 250	≈ 0.80	≈ 0.82
2450.03.R.0	2480.03.R.0	38	54	055* 075 100 125 150 175 200 225 250	≈ 0.88	≈ 0.92
2450.05.R.0 [Ⓢ]	2480.05.R.0 [Ⓢ]	57	73	055* 075 100 125 150 175 200 225 250	≈ 0.99	≈ 1.03
2450.07.R.0	2480.07.R.0	77	93	055* 075 100 125 150 175 200 225 250	≈ 1.12	≈ 1.17
2450.09.R.0	2480.09.R.0	89	105	055* 075 100 125 150 175 200 225 250	≈ 1.20	≈ 1.26
2450.10.R.0	2480.10.R.0	103	119	055* 075 100 125 150 175 200 225 250	≈ 1.27	≈ 1.34
2450.12.R.0	2480.12.R.0	125	141	055* 075 100 125 150 175 200 225 250	≈ 1.35	≈ 1.43

Ⓢ RBR version (Reverse Bend Radius), some radii available from stock. More information ► From page 130

*Radius available upon request. Please consult igus® for delivery time.

For the 055 radius the e-tube is not completely enclosed. Please consult igus®.

Complete Part No. with required radius (R). Example: 2450.03.100.0

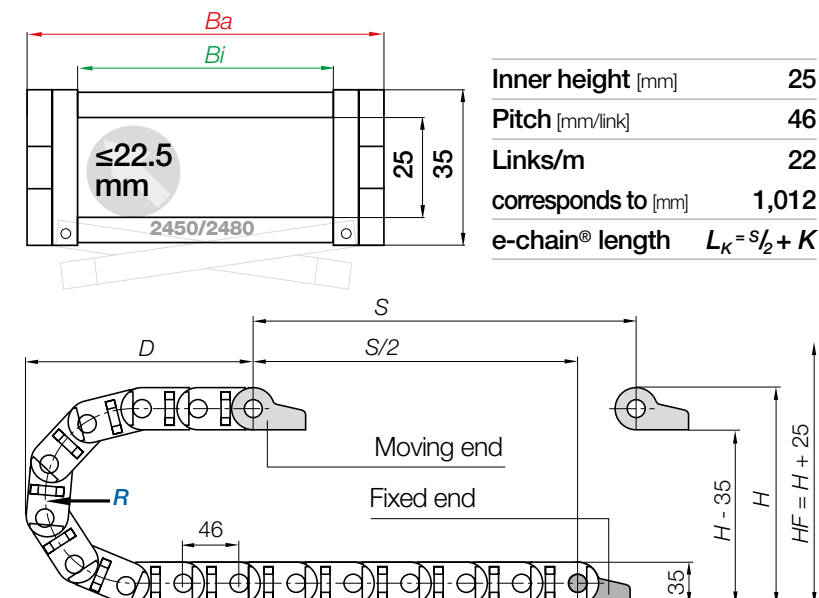
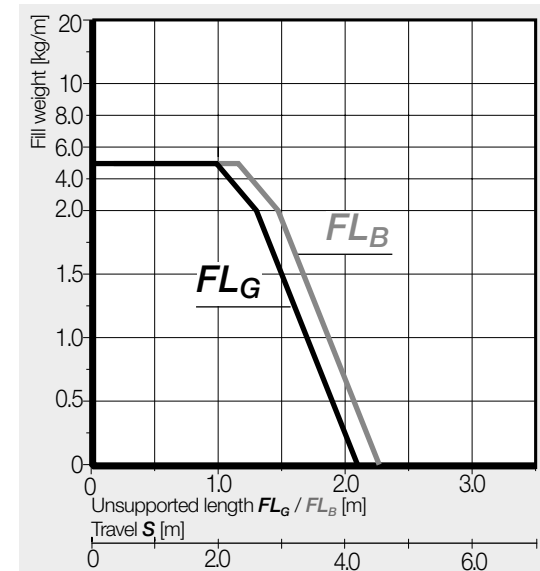
Rotating energy supply systems with Reverse Bend Radius (RBR) - some radii available from stock

- Maximum rotation angle in minimal installation space
- Minimal friction forces and maximum service life
- Short delivery times, from stock

More information and the complete product range ► From page 130



► 1392



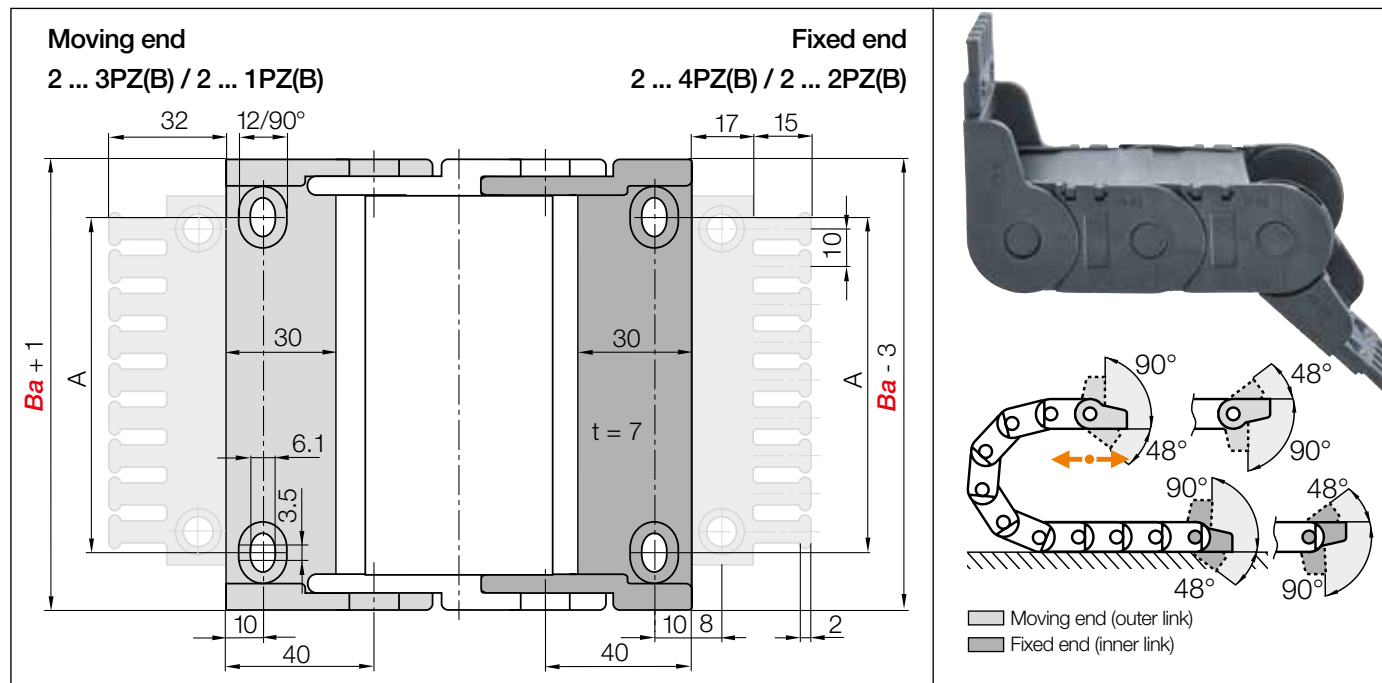
Inner height [mm]	25
Pitch [mm/link]	46
Links/m	22
corresponds to [mm]	1,012
e-chain® length $L_K = S/2 + K$	

R	055*	075	100	125	150	175	200	225	250
H	145	185	235	285	335	385	435	485	535
D	142	162	187	212	237	262	287	312	337
K	265	330	410	485	565	645	725	800	880

The required clearance height: $H_F = H + 25\text{mm}$ (with 1.5kg/m fill weight)

*Radius available upon request. Please consult igus® for delivery time. Before using series 2450/2480 on long travels please consult igus®.

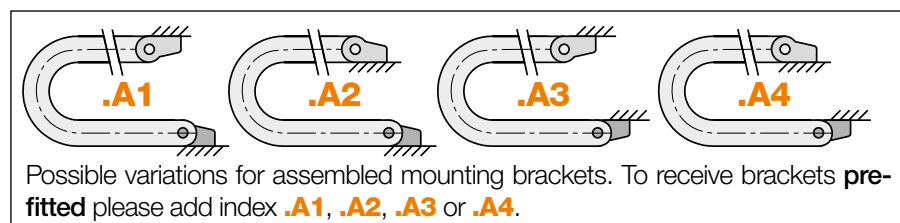
i If a gliding application is required for a long travel, please consult igus®.



Polymer pivoting | Recommended for unsupported applications
Polymer locking | Recommended for vertical hanging and standing applications

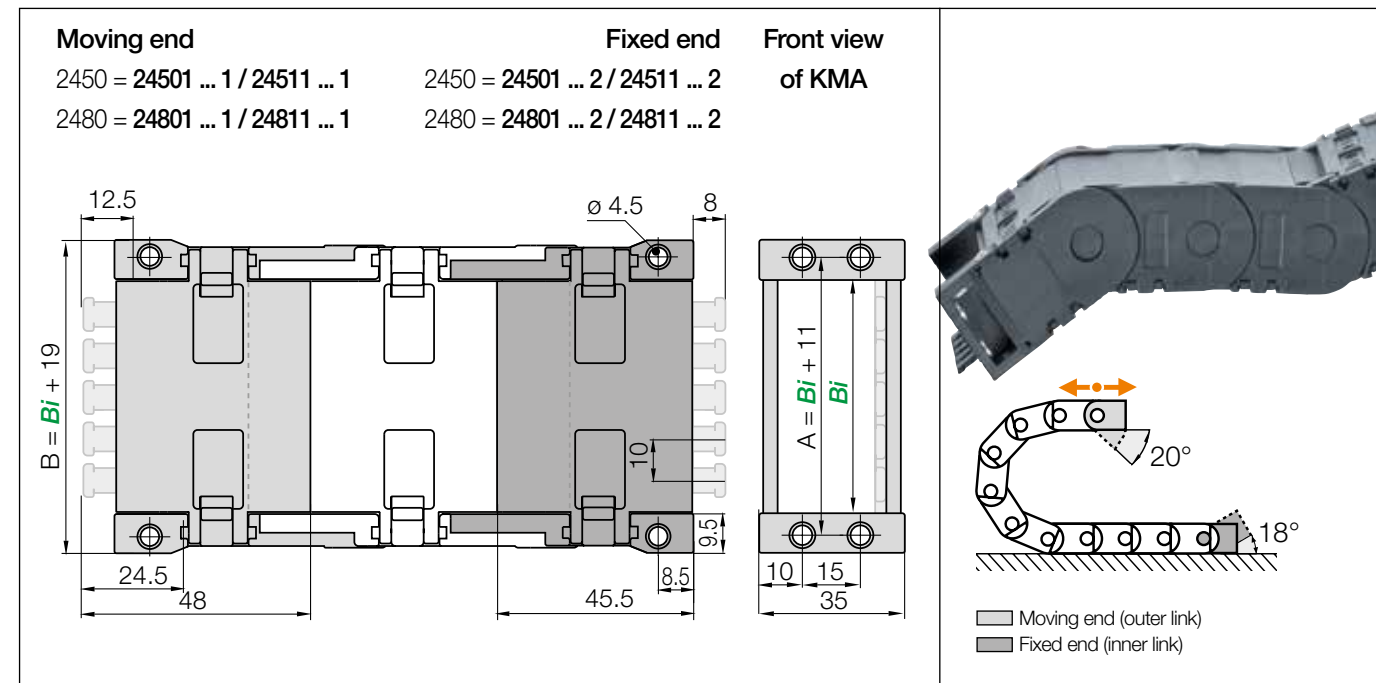
Width index	Part No. full set pivoting		Part No. full set locking		A [mm]	Number of teeth
	with tiewrap plates	without tiewrap plate	with tiewrap plates	without tiewrap plate		
02.	2020.34PZB	2020.34PZ	2020.12PZB	2020.12PZ	12	3
03.	2030.34PZB	2030.34PZ	2030.12PZB	2030.12PZ	25	4
05.	2050.34PZB	2050.34PZ	2050.12PZB	2050.12PZ	44	6
07.	2070.34PZB	2070.34PZ	2070.12PZB	2070.12PZ	64	8
09.	2090.34PZB	2090.34PZ	2090.12PZB	2090.12PZ	77	9
10.	2100.34PZB	2100.34PZ	2100.12PZB	2100.12PZ	90	10
12.	2125.34PZB	2125.34PZ	2125.12PZB	2125.12PZ	112	12

Full set with tiewrap plate + 10 cable tiewraps, please add index **K1**. Example: 2020.34PZBK1



2020.34PZB.A1 Order example
 .A... to indicate option with brackets pre-fitted
 With integrated strain relief tiewrap plates
 Full set
 Series

Strain relief e.g. clamps, tiewrap plates, nuggets and clips are available from stock. The complete chainfix range with ordering options ▶ From page 1392



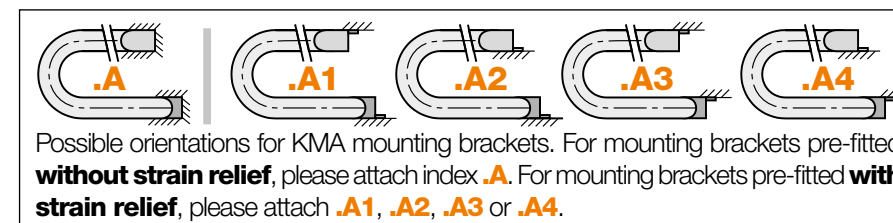
KMA pivoting | Recommended for unsupported applications
KMA locking | Recommended for vertical hanging and standing applications

Width index	Part No. full set KMA pivoting ¹⁾		Part No. full set KMA locking ²⁾		A [mm]	B [mm]	Number of teeth
	with tiewrap plates	without tiewrap plate	with tiewrap plates	without tiewrap plate			
02.	24501 24801 .02.12ZB	24501 24801 .02.12	24511 24811 .02.12ZB	24511 24811 .02.12	36	44	2
03.	24501 24801 .03.12ZB	24501 24801 .03.12	24511 24811 .03.12ZB	24511 24811 .03.12	49	57	4
05.	24501 24801 .05.12ZB	24501 24801 .05.12	24511 24811 .05.12ZB	24511 24811 .05.12	68	76	6
07.	24501 24801 .07.12ZB	24501 24801 .07.12	24511 24811 .07.12ZB	24511 24811 .07.12	88	86	7
09.	24501 24801 .09.12ZB	24501 24801 .09.12	24511 24811 .09.12ZB	24511 24811 .09.12	100	108	9
10.	24501 24801 .10.12ZB	24501 24801 .10.12	24511 24811 .10.12ZB	24511 24811 .10.12	114	122	10
12.	24501 24801 .12.12ZB	24501 24801 .12.12	24511 24811 .12.12ZB	24511 24811 .12.12	136	144	12

1) KMA pivoting Part No. 24501 for half e-tube series 2450 / KMA pivoting Part No. 24801 for full e-tube series 2480

2) KMA locking Part No. 24511 for half e-tube series 2450 / KMA locking Part No. 24811 for full e-tube series 2480

(KMA = polymer metal mounting bracket)



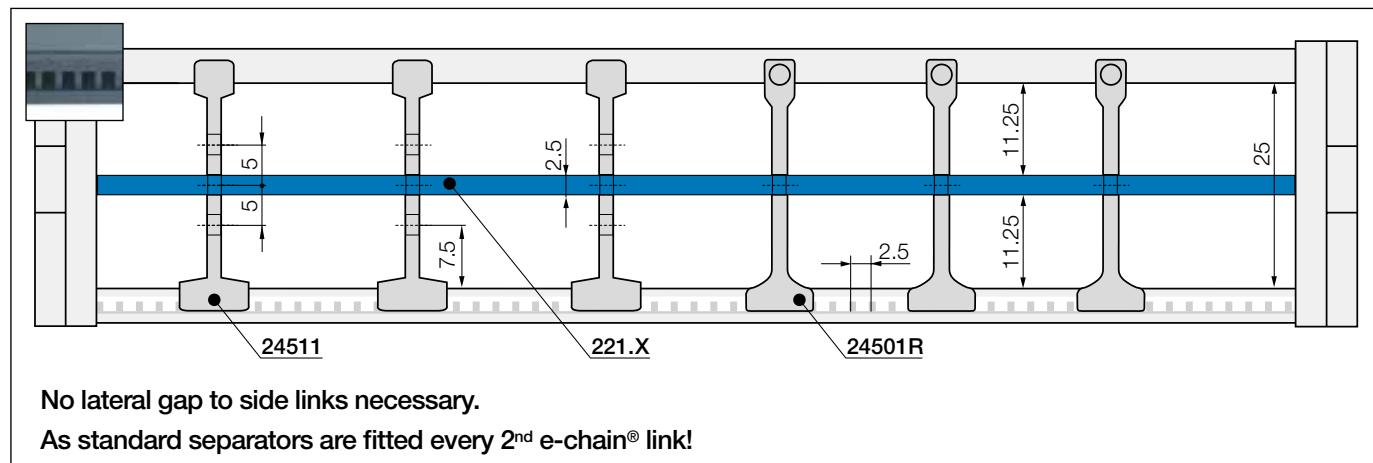
24501.02.12ZB.A2 Order example
 .A... to indicate option with brackets pre-fitted
 With integrated strain relief tiewrap plates
 Full set
 Width index
 Series



Option: steel mounting bracket, pivoting. For e-chains® and e-tubes, Part No. 2000.32
 ● Pivoting connections ● One part (2-piece) for all e-chain® widths ● Electrically conductive

Strain relief e.g. clamps, tiewrap plates, nuggets and clips are available from stock. The complete chainfix range with ordering options ▶ From page 1392

Interior separation



Slotted separator
Vertical separation. The slot allows basic vertical/horizontal shelving arrangements.

unassembled	24501
assembled	24511

Slotted separator
Vertical separation. The slot allows basic vertical/horizontal shelving arrangements.

Notch separator for notched crossbar
Notch separator for exact positioning. Recommended for side-mounted applications.

unassembled	24501R
assembled	24501R.1

Locks securely in preset increments
Notch separator for exact positioning. Recommended for side-mounted applications.
Note: For this series notches only on fixed crossbars, not on openable crossbars/lids

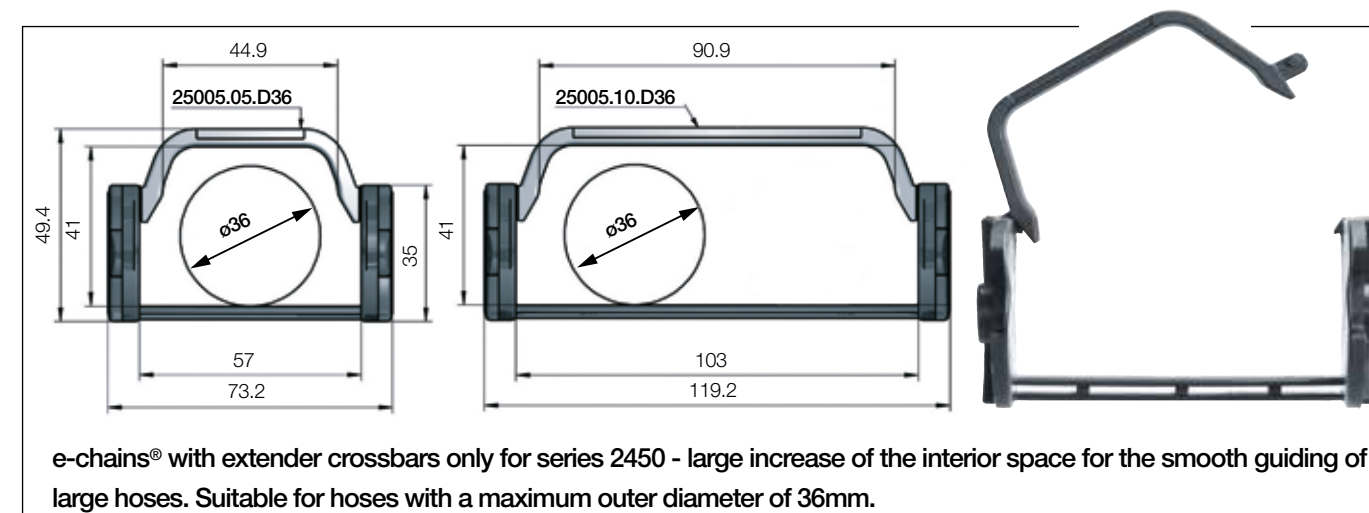
Full-width shelf for e-tubes
This option is for applications with many small cables with similar diameters. For full-width separation.

unassembled	220.X
assembled	221.X

Full-width shelf
This option is for applications with many small cables with similar diameters. For full-width separation.

Full-width shelves Width = X [mm]	X [mm]		X [mm]		X [mm]	
	unassembled	assembled	unassembled	assembled	unassembled	assembled
	025	220.25	221.25	077	220.77	221.77
	038	220.38	221.38	090	220.90	221.90
	057	220.57	221.57	103	220.103	221.103

e-chains® with extender crossbar | Product Range



Part No. half e-tubes Extender crossbars openable along the inner radius	Bi [mm]	Ba [mm]	R Available bend radii [mm]
2450.05 D36 .R.0	57	73	075 100 125 150 175 200 225 250
2450.10 D36 .R.0	103	119	075 100 125 150 175 200 225 250

Complete Part No. with required radius (R). Example: 2450.05D36.100.0

Separator with integrated strain relief teeth

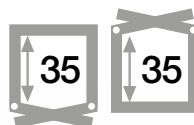
- Can be integrated into the mounting bracket or placed at any point
 - Combines strain relief and interior separation, for restricted space conditions
 - Strain relief separator is easy to assemble without any screws
- Part No. 2020.ZR - more information ► From page 1424



Aluminium support tray

- Corrosion-resistant and seawater-resistant aluminium rails with adjustable width
 - Noise-reducing glide strip integrated as standard
 - Easy installation and connection of the e-chain®
 - Open design - dirt and debris fall through
- More information ► From page 1362





► Page 379

e-chains® Series 2600 | Crossbars openable along the inner radius, from both sides
 e-chains® Series 2700 | Crossbars openable along the outer radius, from both sides

Part No. e-chains® openable along inner radius	Part No. e-chains® openable along outer radius	Bi [mm]	Ba [mm]	R Available bend radii [mm]	2600 [kg/m]	2700 [kg/m]
2600.05.R.0	2700.05.R.0 [▲]	50	66	063 075 100 125 150 175 200 250	≈ 1.17	≈ 1.17
2600.06.R.0 [⊙]	2700.06.R.0 [▲]	65	81	063 075 100 125 150 175 200 250	≈ 1.24	≈ 1.24
2600.07.R.0 [⊙]	2700.07.R.0 [▲]	75	91	063 075 100 125 150 175 200 250	≈ 1.30	≈ 1.30
2600.09.R.0	2700.09.R.0 [▲]	90	106	063 075 100 125 150 175 200 250	≈ 1.37	≈ 1.37
2600.10.R.0 [⊙]	2700.10.R.0 [▲]	100	116	063 075 100 125 150 175 200 250	≈ 1.39	≈ 1.39
2600.12.R.0	2700.12.R.0 [▲]	125	141	063 075 100 125 150 175 200 250	≈ 1.48	≈ 1.48
2600.15.R.0	2700.15.R.0 [⊙]	150	166	063 075 100 125 150 175 200 250	≈ 1.62	≈ 1.62
2600.17.R.0	2700.17.R.0	175	194	063 075 100 125 150 175 200 250	≈ 1.85	≈ 1.85

▲ ESD version (Electro Static Discharge) available from stock. More information ► From page 142

⊙ RBR version (Reverse Bend Radius), some radii available from stock. More information ► From page 130

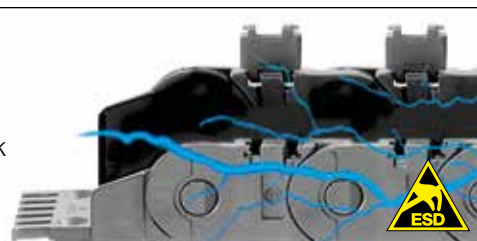
Half e-tubes, series 2650 and full e-tubes, series 2680 ► From page 414

Complete Part No. with required radius (R). Example: 2700.05.100.0

ESD - many sizes from stock

- Standardised product made from igumid ESD
- ESD material tested for over 10 million cycles for the toughest requirements
- Short delivery times including mounting brackets and interior separation; 24hrs, from stock

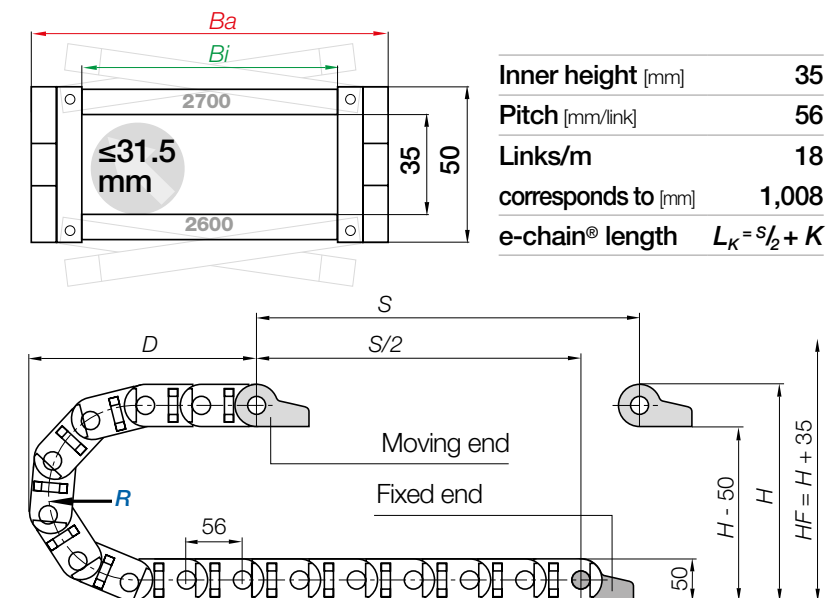
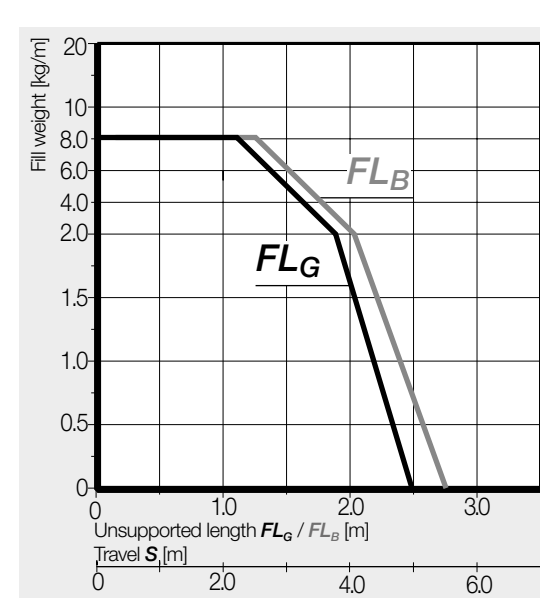
More information and the complete product range
 ► From page 142 or at ► www.igus.eu/esd



Rotating energy supply systems with Reverse Bend Radius (RBR) - some radii available from stock

- Maximum rotation angle in minimal installation space
- Minimal friction forces and maximum service life
- Short delivery times, from stock

More information and the complete product range ► From page 130

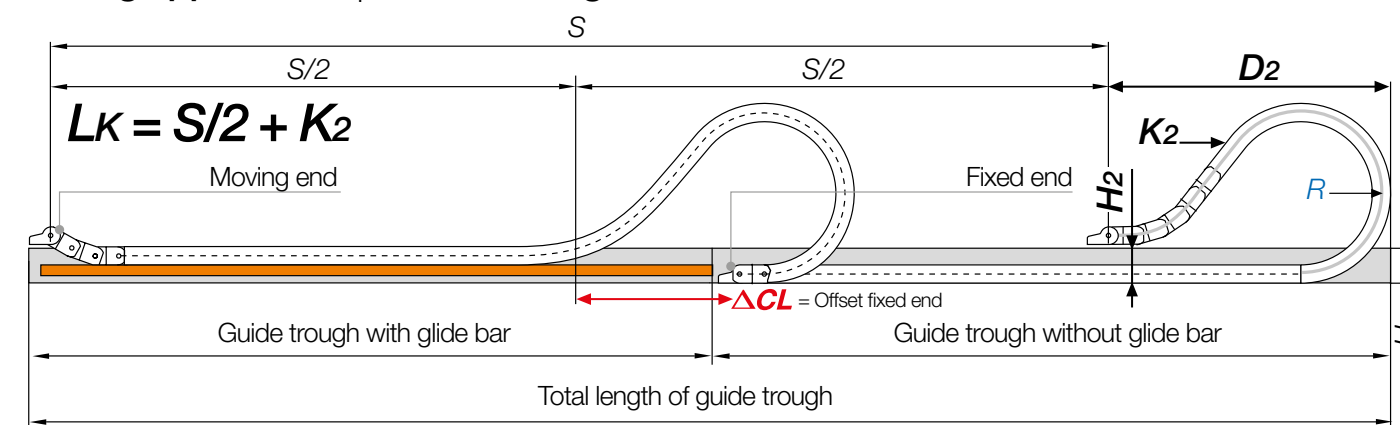


R	063	075	100	125	150	175	200	250
H	176	200	250	300	350	400	450	550
D	172	184	209	234	259	284	309	359
K	310	350	430	505	585	665	745	900

The required clearance height: $H_F = H + 35\text{mm}$ (with 2.0kg/m fill weight)

Before using series 2600 on long travels please consult igus®.

Gliding applications | For travel lengths 10m to max. 120m



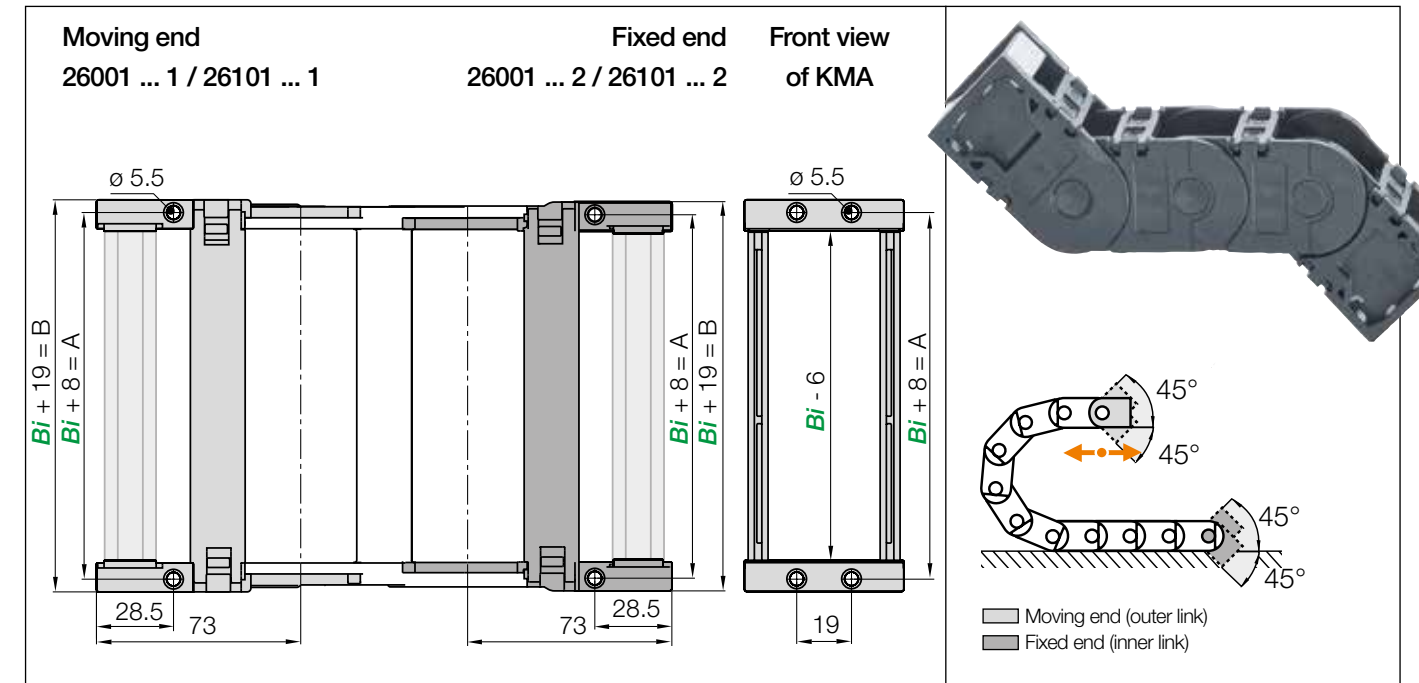
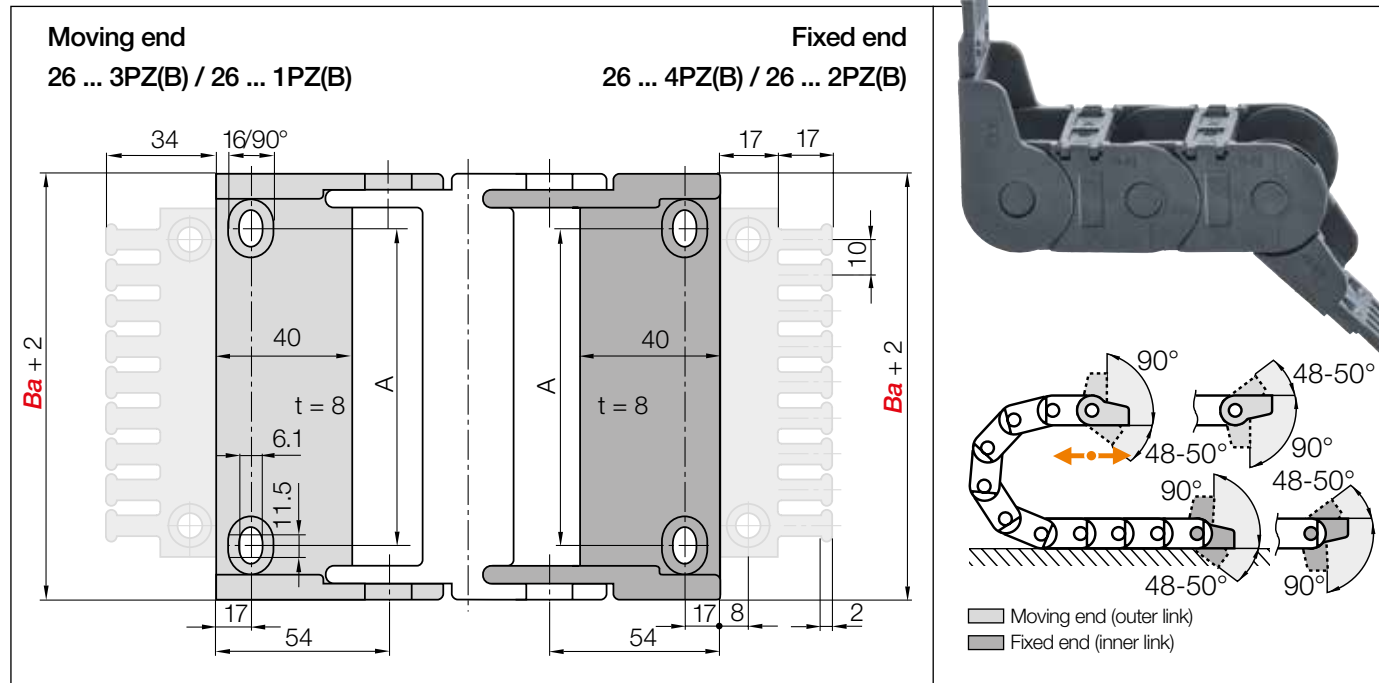
Note: before using series 2600/2650/2680 on long travels please consult igus®.

For long travels, igus® recommends series 2700 openable along the outer radius.

In case of travels between 5 and 10m we recommend an e-chain® with a longer unsupported length.

R	063	075	100	125	150	175	200	250
H ₂	130	150	166	166	166	166	166	166
D ₂ ⁺²⁵	140	150	395	510	545	700	805	995
K ₂	335	375	616	784	896	1,120	1,288	1,624
ΔCL	-	-	144	244	244	374	464	594

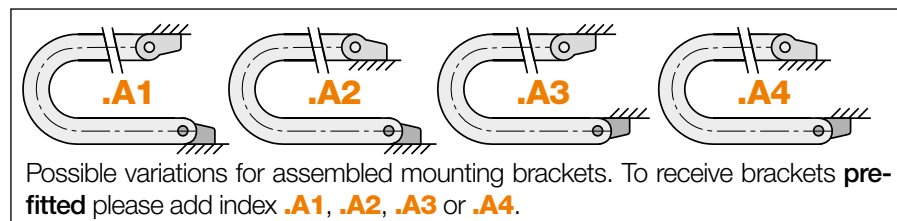
Before using series 2600 on long travels please consult igus®.



Polymer pivoting | Recommended for unsupported and gliding applications
Polymer locking | Recommended for vertical hanging and standing applications

Width index	Part No. full set pivoting		Part No. full set locking		A [mm]	Number of teeth
	with tiewrap plates	without tiewrap plate	with tiewrap plates	without tiewrap plate		
05.	2605.34PZB	2605.34PZ	2605.12PZB	2605.12PZ	30	5
06.	2606.34PZB	2606.34PZ	2606.12PZB	2606.12PZ	45	5
07.	2607.34PZB	2607.34PZ	2607.12PZB	2607.12PZ	55	7
09.	2609.34PZB	2609.34PZ	2609.12PZB	2609.12PZ	70	9
10.	2610.34PZB	2610.34PZ	2610.12PZB	2610.12PZ	80	10
12.	2612.34PZB	2612.34PZ	2612.12PZB	2612.12PZ	105	12
15.	2615.34PZB	2615.34PZ	2615.12PZB	2615.12PZ	130	15
17.	2617.34PZB	2617.34PZ	2617.12PZB	2617.12PZ	155	17

Full set with tiewrap plate + 10 cable tiewraps, please add index **K1**. Example: 2605.34PZBK1



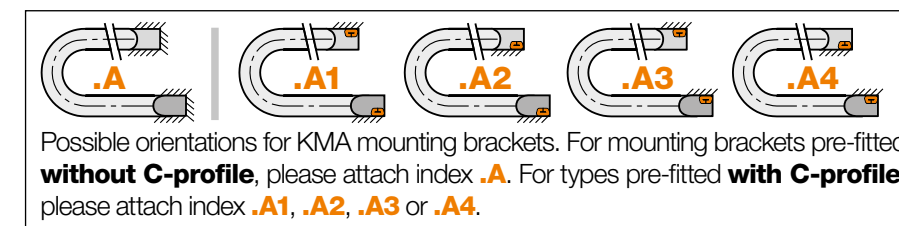
2605.34PZB.A1 Order example
 .A... to indicate option with brackets pre-fitted
 With integrated strain relief tiewrap plates
 Full set
 Series

KMA pivoting | Recommended for unsupported and gliding applications
KMA locking | Recommended for vertical hanging and standing applications

Width index	Part no. full set KMA pivoting		Part No. full set KMA locking		A [mm]	B [mm]
	with C-profile	without C-profile	with C-profile	without C-profile		
05.	26001.05.12.C	26001.05.12	26101.05.12.C	26101.05.12	58	69
06.	26001.06.12.C	26001.06.12	26101.06.12.C	26101.06.12	73	84
07.	26001.07.12.C	26001.07.12	26101.07.12.C	26101.07.12	83	94
09.	26001.09.12.C	26001.09.12	26101.09.12.C	26101.09.12	98	109
10.	26001.10.12.C	26001.10.12	26101.10.12.C	26101.10.12	108	119
12.	26001.12.12.C	26001.12.12	26101.12.12.C	26101.12.12	133	144
15.	26001.15.12.C	26001.15.12	26101.15.12.C	26101.15.12	158	169
17.	26001.17.12.C	26001.17.12	26101.17.12.C	26101.17.12	183	194

Optionally available pivoting to one side only (inward or outward). Part. No. moving end 26101... 3 / Part No. fixed end 26101... 4

(KMA = polymer metal mounting bracket)



26001.05.12.C.A2 Order example
 .A... to indicate option with brackets pre-fitted
 C-profile option
 Full set
 Width index
 Series



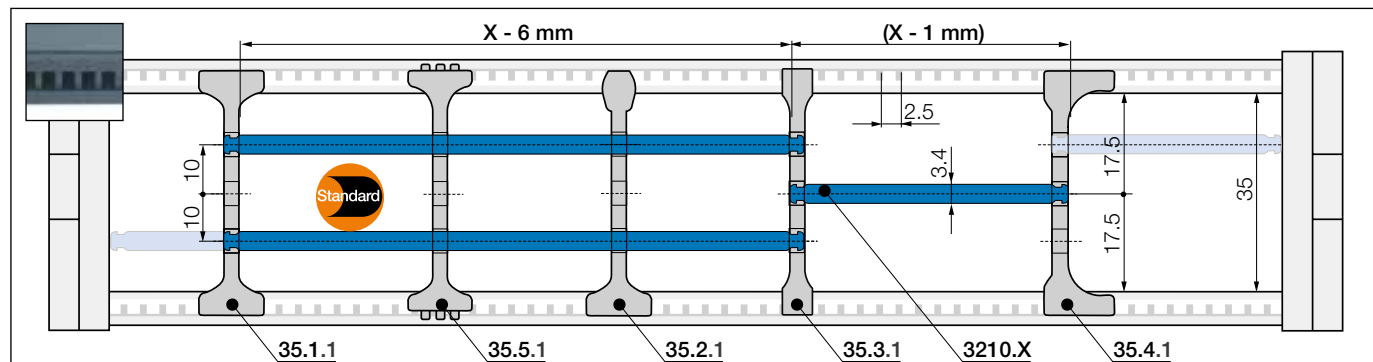
Option: steel mounting bracket, locking. For e-chains® and e-tubes, Part No. 260.12
 ● Locking connections ● One part (2-piece) for all e-chain® widths ● Electrically conductive

Strain relief e.g. clamps, tiewrap plates, nuggets and clips are available from stock. The complete chainfix range with ordering options ▶ From page 1392

Strain relief e.g. clamps, tiewrap plates, nuggets and clips are available from stock. The complete chainfix range with ordering options ▶ From page 1392

Interior separation | Increase cable service life

Previous generation of interior separation with other options ► www.igus.eu/2600 ► www.igus.eu/2700



No lateral gap to side links necessary.
As standard separators are fitted every 2nd e-chain® link!

Standard separator, wide base

unassembled	35.1
assembled	35.1.1

Standard - for any application
Separator with a wide base for maximum holding force.

Separator, narrow top

unassembled	35.2
assembled	35.2.1

For even faster installation
Wide on one side for high holding force, narrow on opposite side for easy cable fitting.

Separator, narrow

unassembled	35.3
assembled	35.3.1

For small cables
Separator with a narrow base for a large number of small cables side by side. Saves space.

Separator, asymmetrical

unassembled	35.4
assembled	35.4.1

For side-mounted applications
Asymmetrical separator, for defined gap distance. No additional spacers required.

Notch separator for notched crossbar

unassembled	35.5
assembled	35.5.1

Locks securely in preset increments
Notch separator for exact positioning. Recommended for side-mounted applications.

Shelf, lockable

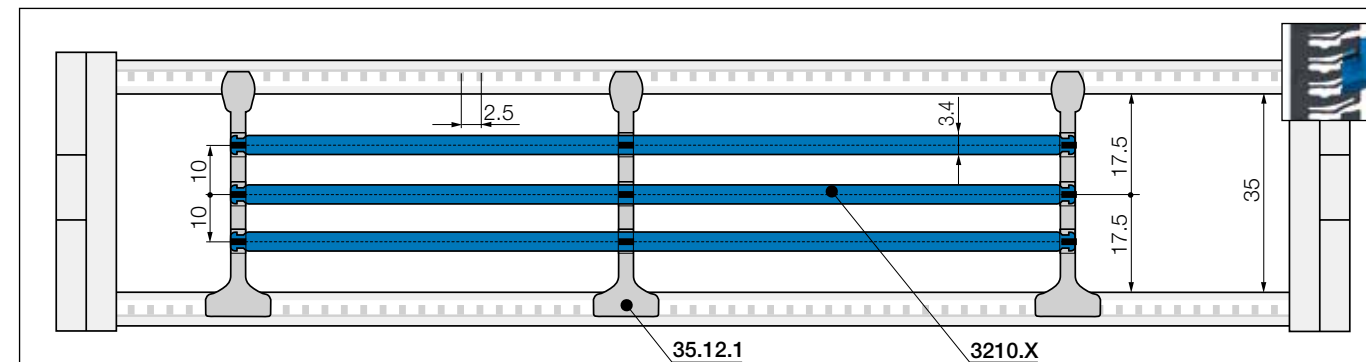
unassembled	3200.X
assembled	3210.X

Horizontal separation
Full-width shelf locks securely into separators at both ends, giving a fixed width. Can be used as full-width or partial shelf.

Shelves Width = X [mm]	X [mm]	unassembled	assembled	X [mm]	unassembled	assembled	X [mm]	unassembled	assembled
		050	3200.050	3210.050	125	3200.125	3210.125	225	3200.225
	075	3200.075	3210.075	150	3200.150	3210.150	250	3200.250	3210.250
	100	3200.100	3210.100	175	3200.175	3210.175			
	115	3200.115	3210.115	200	3200.200	3210.200			



Interior separation | To allow faster filling



No lateral gap to side links necessary.
As standard separators are fitted every 2nd e-chain® link!

Lean separator¹⁾

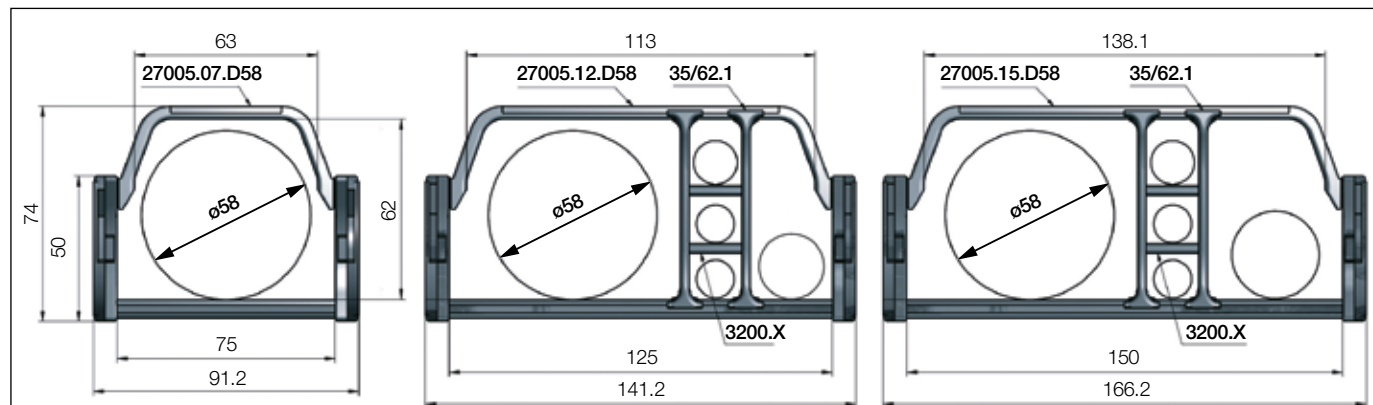
unassembled	35.12
assembled	35.12.1

Lean separators¹⁾
For quick fitting of shelves in several layers.
1) Note: Please combine maximum 4 lean separators with one shelf. Not suitable for side-mounted e-chains®!

With the lean separator you can quickly insert several layers of cables into the e-chain® and reduce the installation time by up to 50%²⁾.

²⁾ Lean interior separation vs. Standard separator - measured on a 4m long e-chain® fitted with 12 cables in the igus® readychain® factory





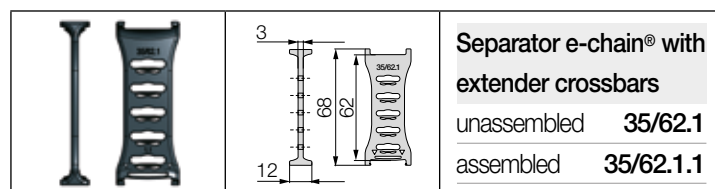
e-chains® with extender crossbars - large increase of the interior space for the smooth guiding of large hoses. Suitable for hoses with a maximum outer diameter of 58mm.

Part No. e-chains® Extender crossbars openable along inner radius	Part No. e-chains® Extender crossbars openable along outer radius	Bi [mm]	Ba [mm]	R Available bend radii [mm]
2600.07 D58 .R.0	2700.07 D58 .R.0	75	91	063* 075* 100 125 150 175 200 250
2600.12 D58 .R.0	2700.12 D58 .R.0	125	141	063* 075* 100 125 150 175 200 250
2600.15 D58 .R.0	2700.15 D58 .R.0	150	166	063* 075* 100 125 150 175 200 250

*Radius 063 and 075 only possible with e-chains® series 2700, openable along outer radius!

Complete Part No. with required radius (R). Example: 2700.15D58.100.0

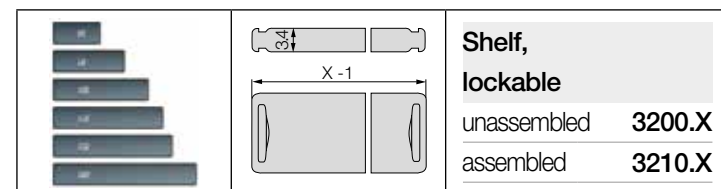
Interior separation for e-chains® with extender crossbars



Separator e-chain® with extender crossbars
unassembled 35/62.1
assembled 35/62.1.1

Standard separator, wide base

Separator with a wide base for maximum holding force. As standard separators are fitted every 2nd e-chain® link!



Shelf, lockable
unassembled 3200.X
assembled 3210.X

Horizontal separation

Full-width shelf locks securely into separators at both ends, giving a fixed width. Can be used as full-width or partial shelf.

Separator with integrated strain relief teeth

- Can be integrated into the mounting bracket or placed at any point
 - Combines strain relief and interior separation, for restricted space conditions
 - Strain relief separator is easy to assemble without any screws
- Part No. 262.Z - more information ► From page 1424



Aluminium support tray

- Corrosion-resistant and seawater-resistant aluminium rails with adjustable width
 - Noise-reducing glide strip integrated as standard
 - Easy installation and connection of the e-chain®
 - Open design - dirt and debris fall through
- More information ► From page 1362



Telescopic loader - an E2/000 e-chain® guides the hydraulic hoses via the telescopic mast to the attachment



► Page 379

Half e-tubes | Series 2650 | Crossbars openable along inner radius from both sides, closed along outer radius
Full e-tubes | Series 2680 | Lids openable along inner radius from both sides, fully enclosed

Part No. half e-tubes openable along the inner radius	Part No. full e-tubes openable along the inner radius	Bi [mm]	Ba [mm]	R Available bend radii											2650 [kg/m]	2680 [kg/m]
				063*	075*	100	125	150	175	200	250					
2650.05.R.0	2680.05.R.0	50	66	063*	075*	100	125	150	175	200	250	≈ 1.25	≈ 1.33			
2650.06.R.0	2680.06.R.0	65	81	063*	075*	100	125	150	175	200	250	≈ 1.36	≈ 1.43			
2650.07.R.0	2680.07.R.0	75	91	063*	075*	100	125	150	175	200	250	≈ 1.40	≈ 1.51			
2650.09.R.0	2680.09.R.0	90	106	063*	075*	100	125	150	175	200	250	≈ 1.55	≈ 1.62			
2650.10.R.0	2680.10.R.0	100	116	063*	075*	100	125	150	175	200	250	≈ 1.61	≈ 1.81			
2650.12.R.0	2680.12.R.0	125	141	063*	075*	100	125	150	175	200	250	≈ 1.70	≈ 1.99			
2650.15.R.0	2680.15.R.0	150	166	063*	075*	100	125	150	175	200	250	≈ 1.80	≈ 2.17			
2650.17.R.0	2680.17.R.0	175	194	063*	075*	100	125	150	175	200	250	≈ 2.00	≈ 2.35			

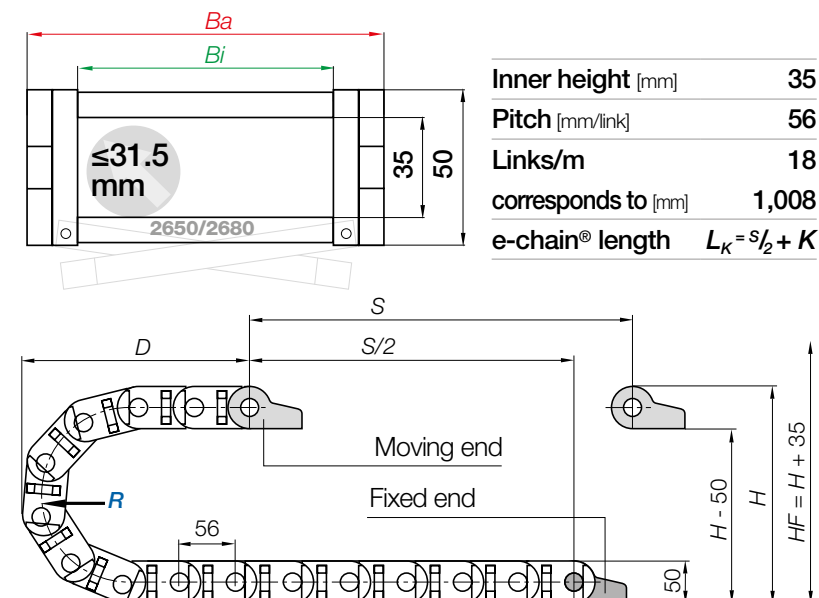
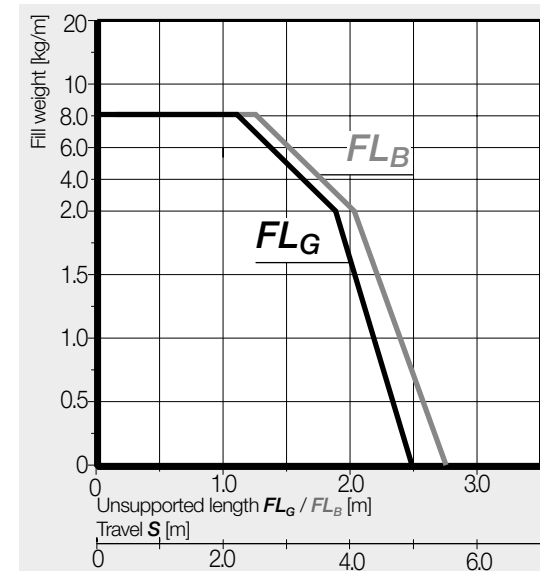
*Radius available upon request. Please consult igus® for delivery time.

Radii 063, 075: the e-tube is not completely enclosed. Please consult igus®.

Complete Part No. with required radius (R). Example: 2650.05.100.0



► 1392

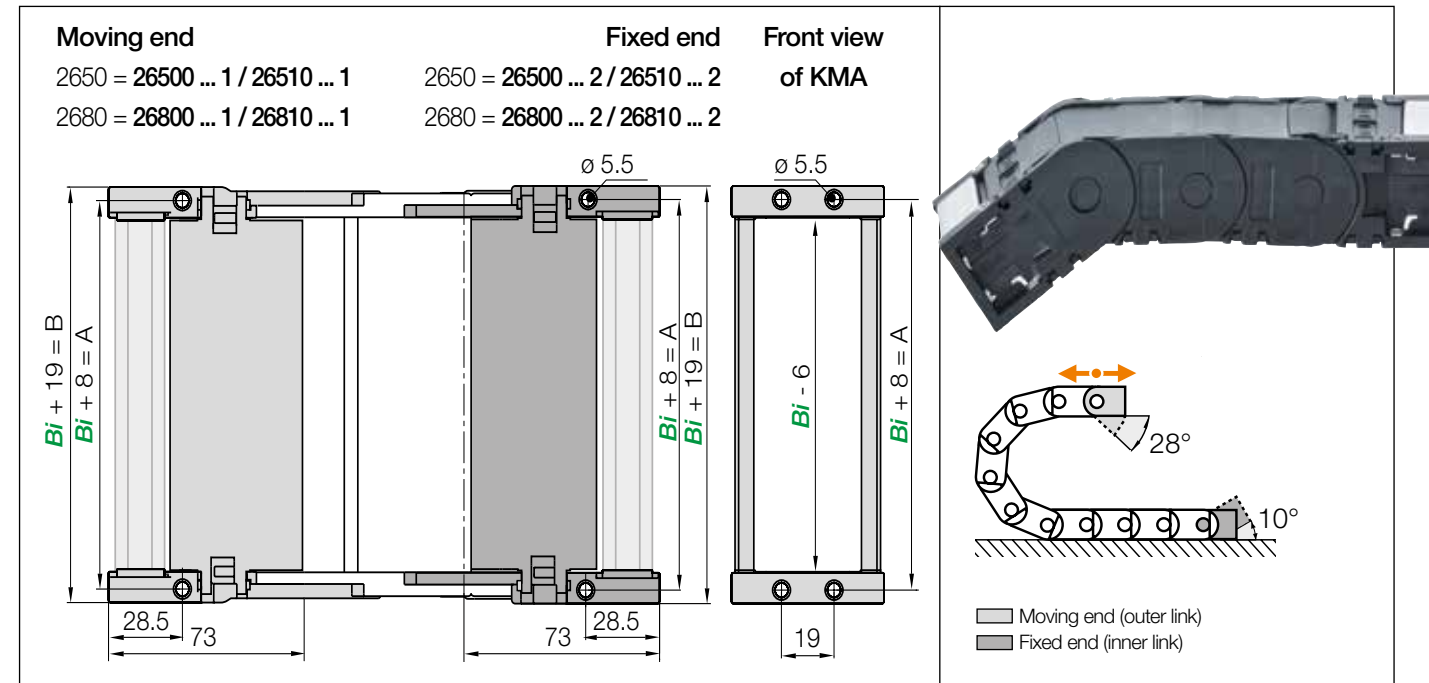
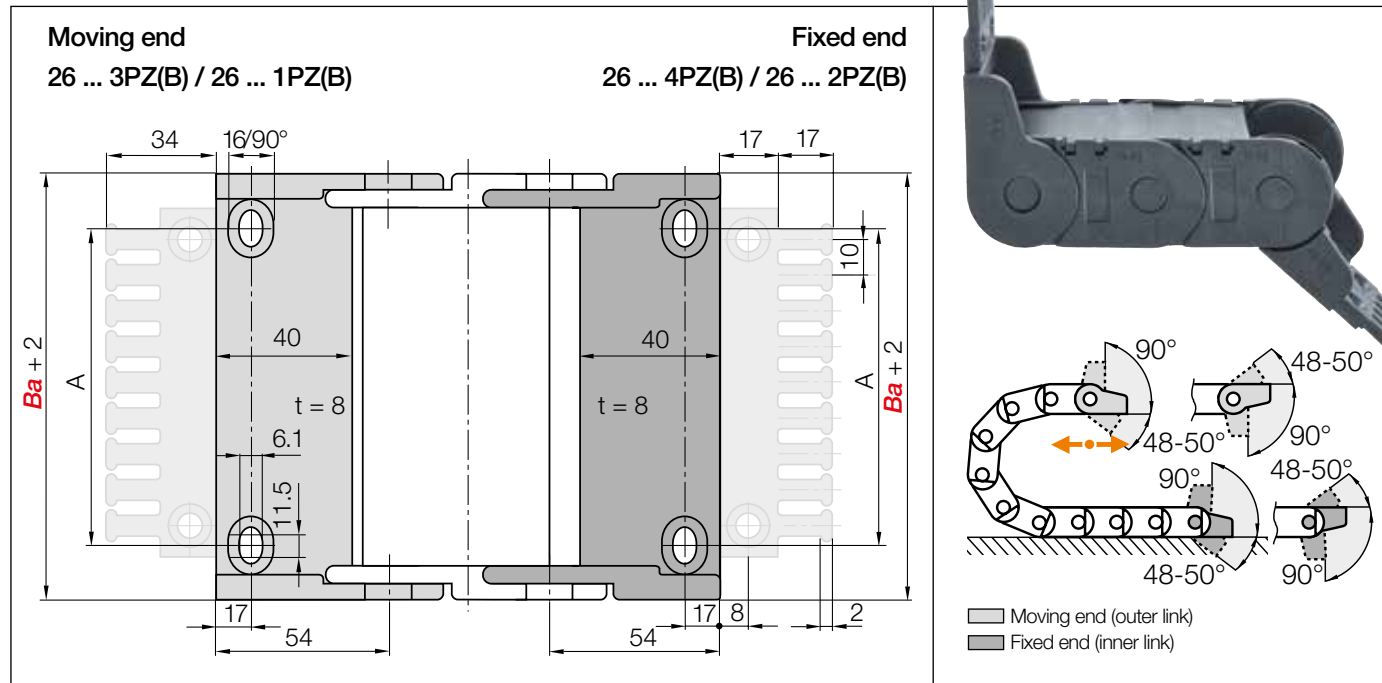


R	063*	075*	100	125	150	175	200	250
H	176	200	250	300	350	400	450	550
D	172	184	209	234	259	284	309	359
K	310	350	430	505	585	665	745	900

The required clearance height: $H_F = H + 35\text{mm}$ (with 2.0kg/m fill weight)

*Radius available upon request. Please consult igus® for delivery time. Before using series 2650/2680 on long travels please consult igus®.

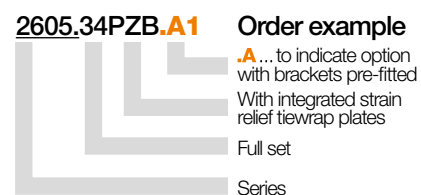
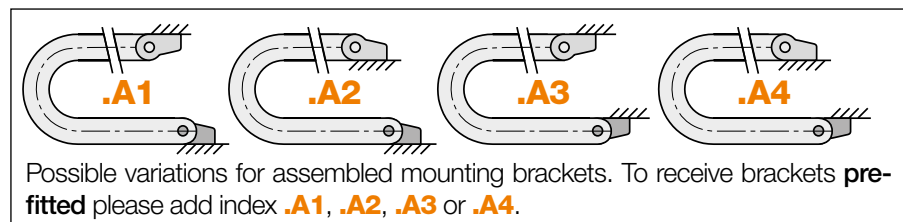
i If a gliding application is required for a long travel, please consult igus®.



Polymer pivoting | Recommended for unsupported applications
Polymer locking | Recommended for vertical hanging and standing applications

Width index	Part No. full set pivoting		Part No. full set locking		A [mm]	Number of teeth
	with tiewrap plates	without tiewrap plate	with tiewrap plates	without tiewrap plate		
05.	2605.34PZB	2605.34PZ	2605.12PZB	2605.12PZ	30	5
06.	2606.34PZB	2606.34PZ	2606.12PZB	2606.12PZ	45	5
07.	2607.34PZB	2607.34PZ	2607.12PZB	2607.12PZ	55	7
09.	2609.34PZB	2609.34PZ	2609.12PZB	2609.12PZ	70	9
10.	2610.34PZB	2610.34PZ	2610.12PZB	2610.12PZ	80	10
12.	2612.34PZB	2612.34PZ	2612.12PZB	2612.12PZ	105	12
15.	2615.34PZB	2615.34PZ	2615.12PZB	2615.12PZ	130	15
17.	2617.34PZB	2617.34PZ	2617.12PZB	2617.12PZ	155	17

Full set with tiewrap plate + 10 cable tiewraps, please add index **K1**. Example: 2605.34PZBK1



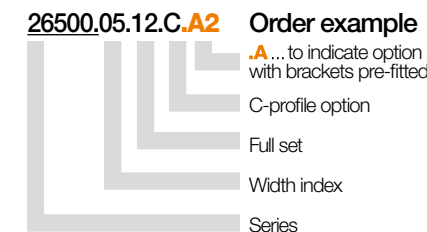
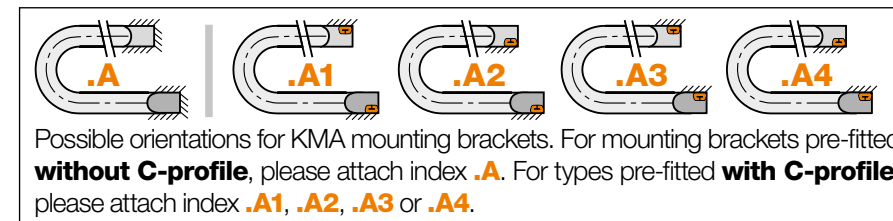
KMA pivoting | Recommended for unsupported applications
KMA locking | Recommended for vertical hanging and standing applications

Width index	Part No. full set KMA pivoting ¹⁾		Part No. full set KMA locking ²⁾		A [mm]	B [mm]
	with C-profile	without C-profile	with C-profile	without C-profile		
05.	2650 26800.05.12.C	2650 26800.05.12	26510 26810.05.12.C	26510 26810.05.12	58	69
06.	2650 26800.06.12.C	2650 26800.06.12	26510 26810.06.12.C	26510 26810.06.12	73	84
07.	2650 26800.07.12.C	2650 26800.07.12	26510 26810.07.12.C	26510 26810.07.12	83	94
09.	2650 26800.09.12.C	2650 26800.09.12	26510 26810.09.12.C	26510 26810.09.12	98	109
10.	2650 26800.10.12.C	2650 26800.10.12	26510 26810.10.12.C	26510 26810.10.12	108	119
12.	2650 26800.12.12.C	2650 26800.12.12	26510 26810.12.12.C	26510 26810.12.12	133	144
15.	2650 26800.15.12.C	2650 26800.15.12	26510 26810.15.12.C	26510 26810.15.12	158	169
17.	2650 26800.17.12.C	2650 26800.17.12	26510 26810.17.12.C	26510 26810.17.12	183	194

1) KMA pivoting Part No. 26500 for half e-tube series 2650 / KMA pivoting Part No. 26800 for full e-tube series 2680

2) KMA locking Part No. 26510 for half e-tube series 2650 / KMA locking Part No. 26810 for full e-tube series 2680

(KMA = polymer metal mounting bracket)



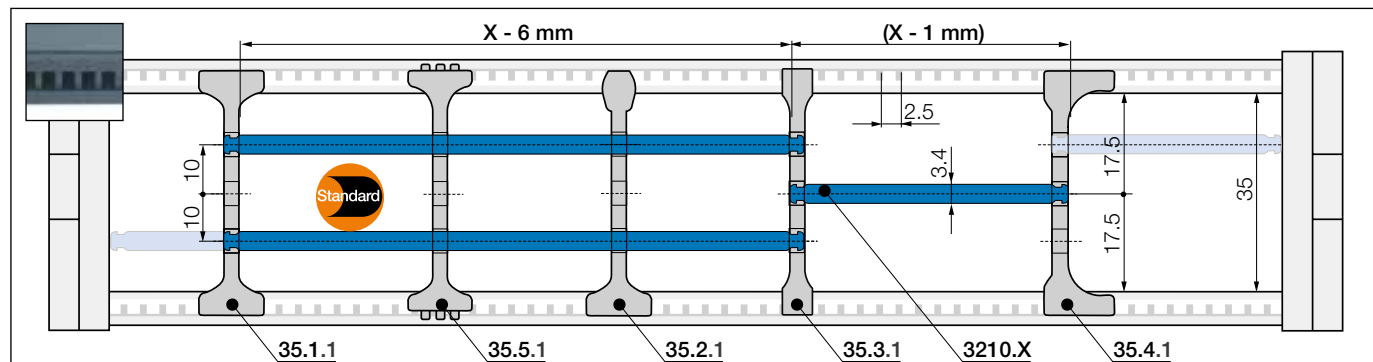
Option: steel mounting bracket, locking. For e-chains® and e-tubes, Part No. 260.12
 ● Locking connections ● One part (2-piece) for all e-chain® widths ● Electrically conductive

Strain relief e.g. clamps, tiewrap plates, nuggets and clips are available from stock. The complete chainfix range with ordering options ▶ From page 1392

Strain relief e.g. clamps, tiewrap plates, nuggets and clips are available from stock. The complete chainfix range with ordering options ▶ From page 1392

Interior separation | Increase cable service life

Previous generation of interior separation with other options ► www.igus.eu/2650 ► www.igus.eu/2680



No lateral gap to side links necessary.
As standard separators are fitted every 2nd e-chain® link!

Standard separator, wide base

		unassembled	35.1
		assembled	35.1.1

Standard - for any application
Separator with a wide base for maximum holding force.

Separator, narrow top

		unassembled	35.2
		assembled	35.2.1

For even faster installation
Wide on one side for high holding force, narrow on opposite side for easy cable fitting.

Separator, narrow

		unassembled	35.3
		assembled	35.3.1

For small cables
Separator with a narrow base for a large number of small cables side by side. Saves space.

Separator, asymmetrical

		unassembled	35.4
		assembled	35.4.1

For side-mounted applications
Asymmetrical separator, for defined gap distance. No additional spacers required.

Notch separator for notched crossbar

		unassembled	35.5
		assembled	35.5.1

Locks securely in preset increments
Notch separator for exact positioning. Recommended for side-mounted applications.

Shelf, lockable

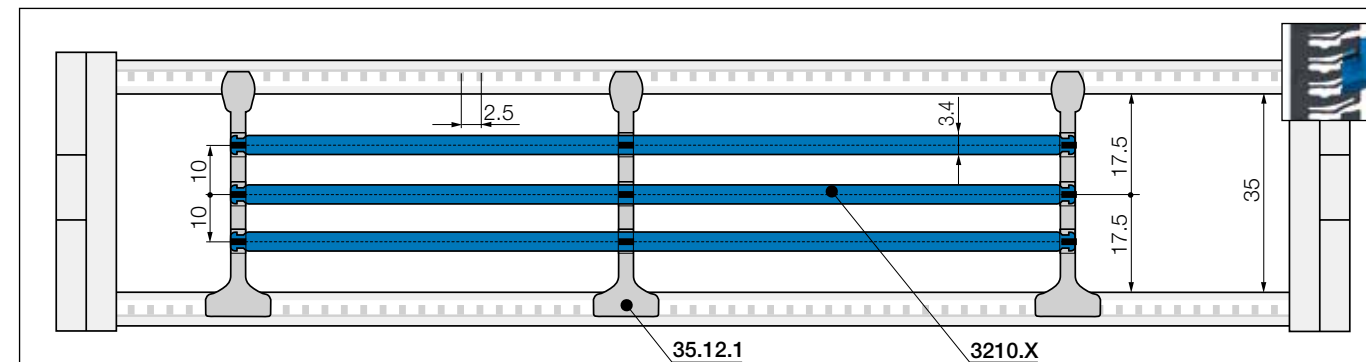
		unassembled	3200.X
		assembled	3210.X

Horizontal separation
Full-width shelf locks securely into separators at both ends, giving a fixed width. Can be used as full-width or partial shelf.

Shelves Width = X [mm]	X [mm]			X [mm]			X [mm]		
	unassembled	assembled		unassembled	assembled		unassembled	assembled	
050	3200.050	3210.050	125	3200.125	3210.125	225	3200.225	3210.225	
075	3200.075	3210.075	150	3200.150	3210.150	250	3200.250	3210.250	
100	3200.100	3210.100	175	3200.175	3210.175				
115	3200.115	3210.115	200	3200.200	3210.200				



Interior separation | To allow faster filling



No lateral gap to side links necessary.
As standard separators are fitted every 2nd e-chain® link!

Lean separator¹⁾

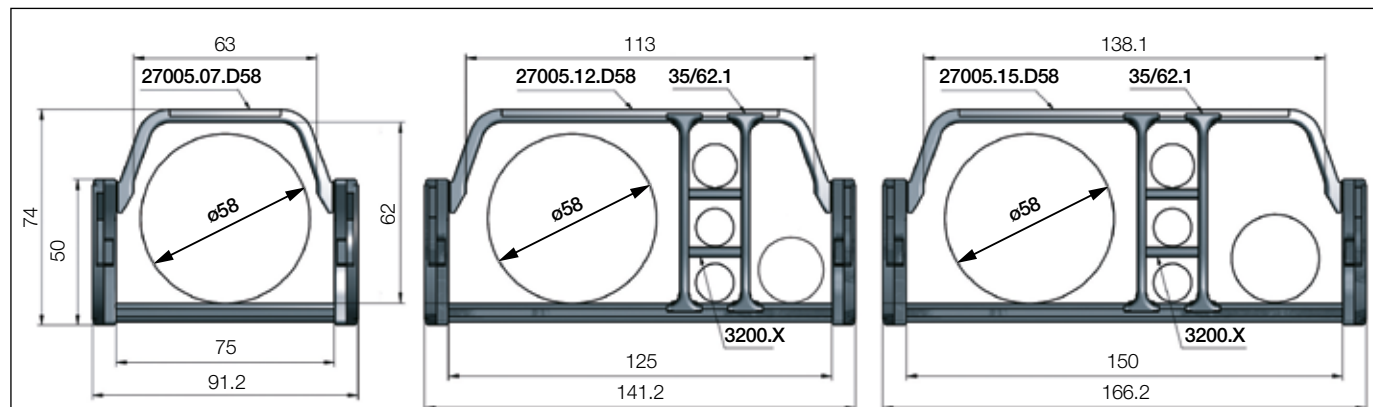
		unassembled	35.12
		assembled	35.12.1

Lean separators¹⁾
For quick fitting of shelves in several layers.
1) Note: Please combine maximum 4 lean separators with one shelf. Not suitable for side-mounted e-chains®!

With the lean separator you can quickly insert several layers of cables into the e-chain® and reduce the installation time by up to 50%²⁾.

²⁾ Lean interior separation vs. Standard separator - measured on a 4m long e-chain® fitted with 12 cables in the igus® readychain® factory





e-chains® with extender crossbars only for series 2650 - large increase of the interior space for the smooth guiding of large hoses. Suitable for hoses with a maximum outer diameter of 58mm.

Part No. half e-tubes Extender crossbars openable along the inner radius	Bi [mm]	Ba [mm]	R Available bend radii [mm]
2650.07.D58 .R.0	75	91	100 125 150 175 200 250
2650.12.D58 .R.0	125	141	100 125 150 175 200 250
2650.15.D58 .R.0	150	166	100 125 150 175 200 250

Complete Part No. with required radius (R). Example: 2650.15D58.100.0

Interior separation for e-chains® with extender crossbars

		Separator e-chain® with extender crossbars unassembled 35/62.1 assembled 35/62.1.1
		Shelf, lockable unassembled 3200.X assembled 3210.X

Standard separator, wide base

Separator with a wide base for maximum holding force. As standard separators are fitted every 2nd e-chain® link!

Horizontal separation

Full-width shelf locks securely into separators at both ends, giving a fixed width. Can be used as full-width or partial shelf.

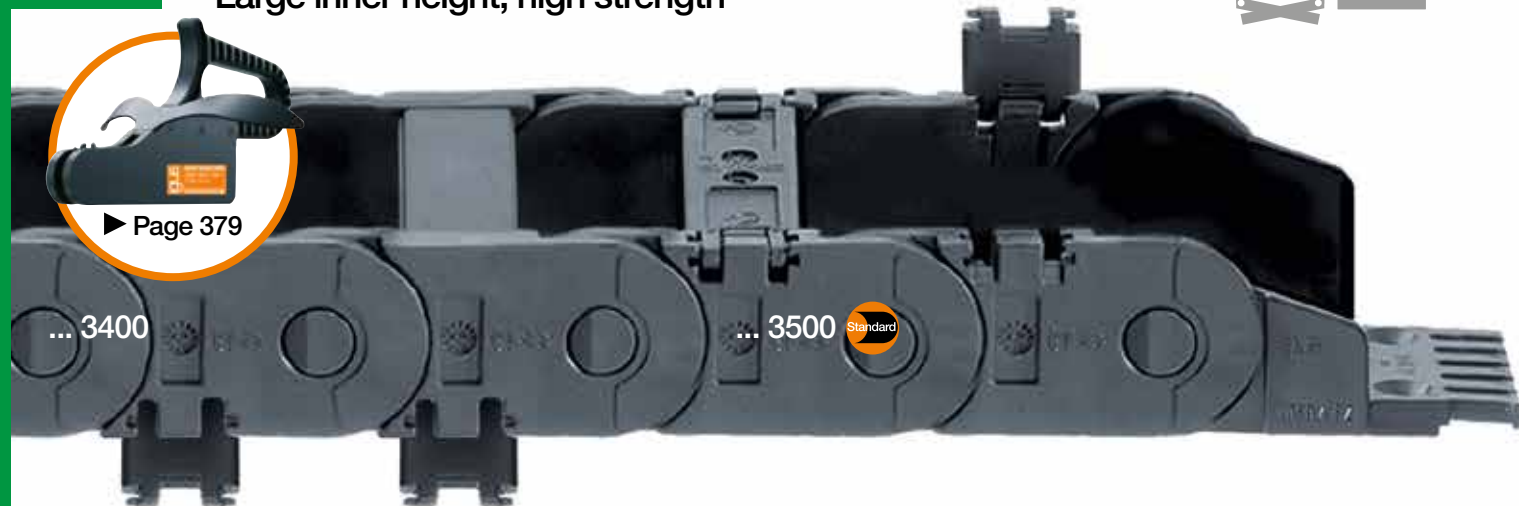
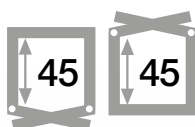
Aluminium support tray

- Corrosion-resistant and seawater-resistant aluminium rails with adjustable width
 - Noise-reducing glide strip integrated as standard
 - Easy installation and connection of the e-chain®
 - Open design - dirt and debris fall through
- More information ► From page 1362



Flat knitting machine - the igus® E2/000 system is reliable even at high accelerations and for millions of cycles

Large inner height, high strength



► Page 379

e-chains® Series 3400 | Crossbars openable along the inner radius, from both sides
 e-chains® Series 3500 | Crossbars openable along the outer radius, from both sides

Part No. e-chains® openable along inner radius	Part No. e-chains® openable along outer radius	Bi [mm]	Ba [mm]	R Available bend radii [mm]	3400 [kg/m]	3500 [kg/m]
3400.050 .R.0	3500.050 .R.0	50	70	075 100 125 150 200 250 300	≈ 1.60	≈ 1.60
3400.075 .R.0	3500.075 .R.0	75	95	075 100 125 150 200 250 300	≈ 1.78	≈ 1.78
3400.100 .R.0	3500.100 .R.0	100	120	075 100 125 150 200 250 300	≈ 1.93	≈ 1.93
3400.115 .R.0	3500.115 .R.0	115	135	075 100 125 150 200 250 300	≈ 1.99	≈ 1.99
3400.125 .R.0	3500.125 .R.0	125	145	075 100 125 150 200 250 300	≈ 2.03	≈ 2.03
3400.150 .R.0	3500.150 .R.0	150	170	075 100 125 150 200 250 300	≈ 2.17	≈ 2.17
3400.175 .R.0	3500.175 .R.0	175	195	075 100 125 150 200 250 300	≈ 2.28	≈ 2.28
3400.200 .R.0	3500.200 .R.0	200	220	075 100 125 150 200 250 300	≈ 2.45	≈ 2.45
3400.225 .R.0	3500.225 .R.0	225	245	075 100 125 150 200 250 300	≈ 2.59	≈ 2.59
3400.250 .R.0	3500.250 .R.0	250	270	075 100 125 150 200 250 300	≈ 2.73	≈ 2.73

© RBR version (Reverse Bend Radius), some radii available from stock. More information ► From page 130

Half e-tubes, series 3450 and full e-tube series 3480 ► From page 430

Complete Part No. with required radius (R). Example: 3500.075.200.0

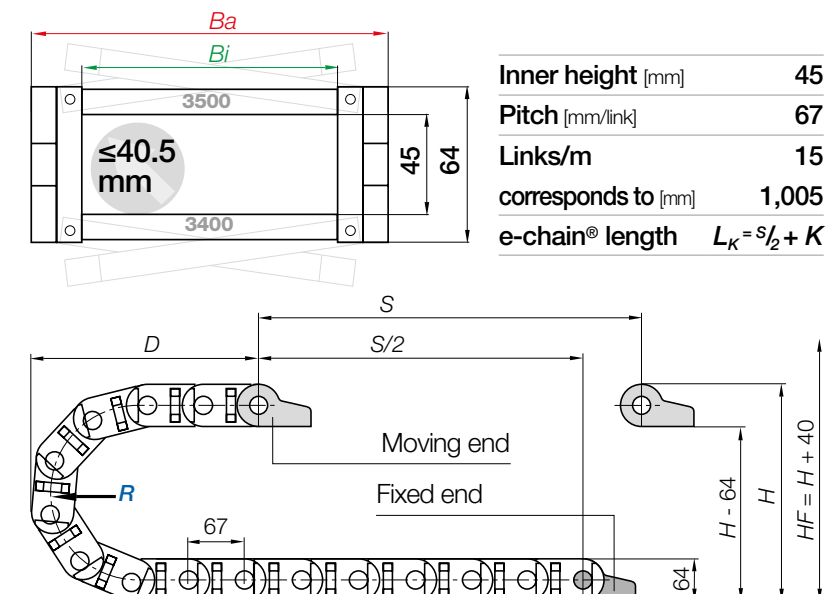
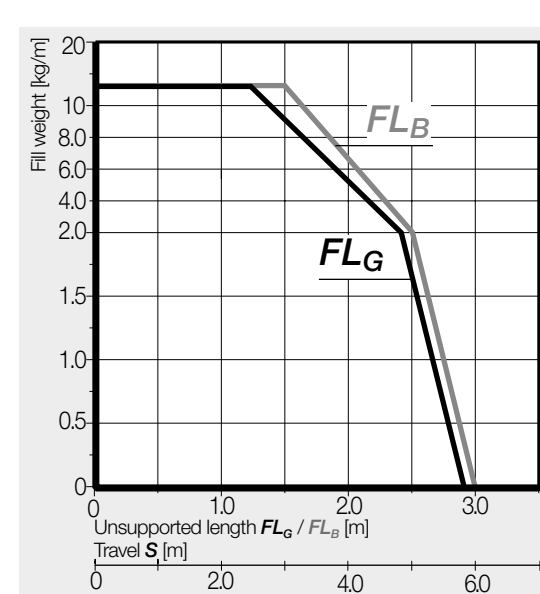
Rotating energy supply systems with Reverse Bend Radius (RBR) - some radii available from stock

- Maximum rotation angle in minimal installation space
- Minimal friction forces and maximum service life
- Short delivery times, from stock

More information and the complete product range ► From page 130



Unsupported applications | Short travels



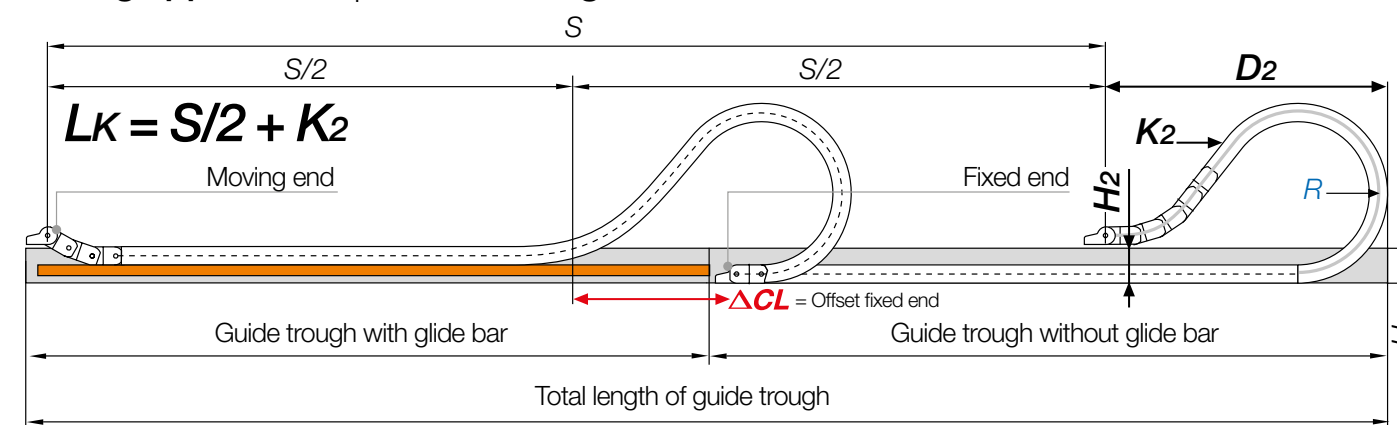
Inner height [mm]	45
Pitch [mm/link]	67
Links/m	15
corresponds to [mm]	1,005
e-chain® length $L_K = S/2 + K$	

R	075	100	125	150	200	250	300
H	214	264	314	364	464	564	664
D	208	233	258	283	333	383	433
K	370	450	530	610	765	920	1,080

The required clearance height: $H_F = H + 40\text{mm}$ (with 2.5kg/m fill weight)

Before using series 3400 on long travels please consult igus®.

Gliding applications | For travel lengths 10m to max. 150m



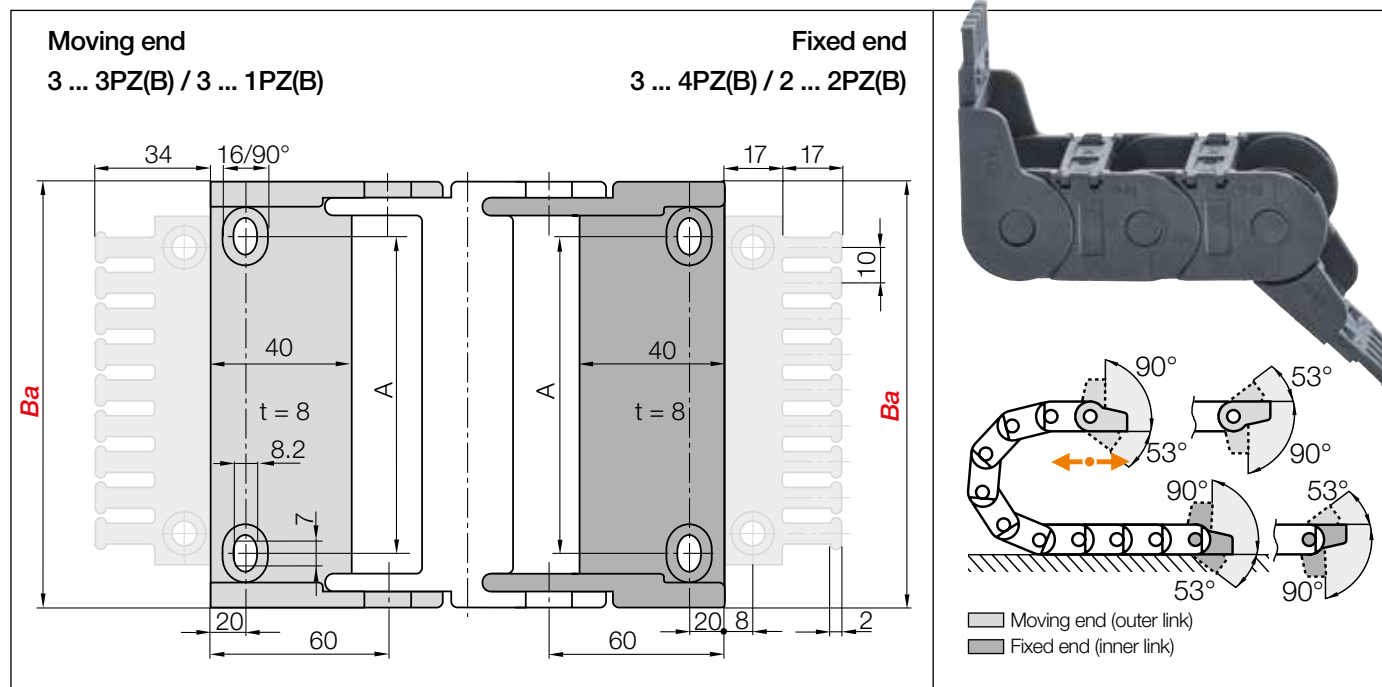
Note: before using series 3400/3450/3480 on long travels please consult igus®.

For long travels, igus® recommends series 3500 openable along the outer radius.

In case of travels between 6 and 10m we recommend an e-chain® with a longer unsupported length.

R	075	100	125	150	200	250	300
H ₂	150	200	186	186	186	186	186
D ₂ ⁺²⁵	208	233	475	570	780	1,010	1,150
K ₂	370	450	804	1,005	1,340	1,675	1,943
ΔCL	-	-	233	303	463	643	733

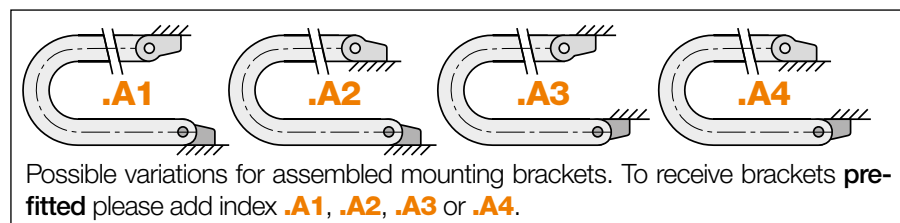
Before using series 3400 on long travels please consult igus®.



Polymer pivoting | Recommended for unsupported and gliding applications
Polymer locking | Recommended for vertical hanging and standing applications

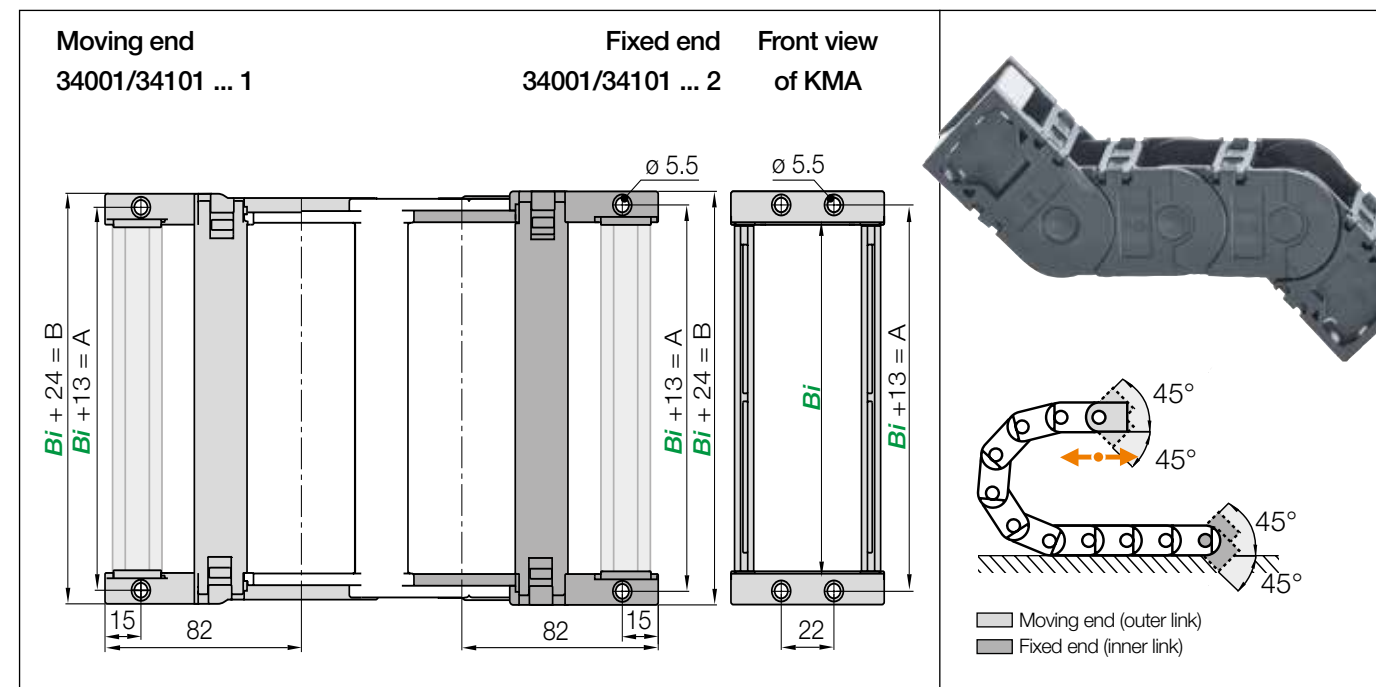
Width index	Part No. full set pivoting		Part No. full set locking		A [mm]	Number of teeth
	with tiewrap plates	without tiewrap plate	with tiewrap plates	without tiewrap plate		
050. ▶	3050.34PZB	3050.34PZ	3050.12PZB	3050.12PZ	28	5
075. ▶	3075.34PZB	3075.34PZ	3075.12PZB	3075.12PZ	53	7
100. ▶	3100.34PZB	3100.34PZ	3100.12PZB	3100.12PZ	78	10
115. ▶	3115.34PZB	3115.34PZ	3115.12PZB	3115.12PZ	93	11
125. ▶	3125.34PZB	3125.34PZ	3125.12PZB	3125.12PZ	103	12
150. ▶	3150.34PZB	3150.34PZ	3150.12PZB	3150.12PZ	128	15
175. ▶	3175.34PZB	3175.34PZ	3175.12PZB	3175.12PZ	153	17
200. ▶	3200.34PZB	3200.34PZ	3200.12PZB	3200.12PZ	178	20
225. ▶	3225.34PZB	3225.34PZ	3225.12PZB	3225.12PZ	203	22
250. ▶	3250.34PZB	3250.34PZ	3250.12PZB	3250.12PZ	228	25

Full set with tiewrap plate + 10 cable tiewraps, please add index **K1**. Example: 3250.34PZBK1



3075.34PZB.A1 Order example
 .A... to indicate option with brackets pre-fitted
 With integrated strain relief tiewrap plates
 Full set
 Series

Strain relief e.g. clamps, tiewrap plates, nuggets and clips are available from stock. The complete chainfix range with ordering options ▶ From page 1392

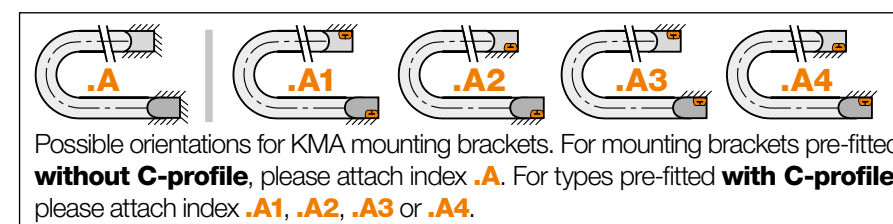


KMA pivoting | Recommended for unsupported and gliding applications
KMA locking | Recommended for vertical hanging and standing applications

Width index	Part no. full set KMA pivoting		Part No. full set KMA locking		A [mm]	B [mm]
	with C-profile	without C-profile	with C-profile	without C-profile		
050. ▶	34001.050.12.C	34001.050.12	34101.050.12.C	34101.050.12	63	74
075. ▶	34001.075.12.C	34001.075.12	34101.075.12.C	34101.075.12	88	99
100. ▶	34001.100.12.C	34001.100.12	34101.100.12.C	34101.100.12	113	124
115. ▶	34001.115.12.C	34001.115.12	34101.115.12.C	34101.115.12	128	139
125. ▶	34001.125.12.C	34001.125.12	34101.125.12.C	34101.125.12	138	149
150. ▶	34001.150.12.C	34001.150.12	34101.150.12.C	34101.150.12	163	174
175. ▶	34001.175.12.C	34001.175.12	34101.175.12.C	34101.175.12	188	199
200. ▶	34001.200.12.C	34001.200.12	34101.200.12.C	34101.200.12	213	224
225. ▶	34001.225.12.C	34001.225.12	34101.225.12.C	34101.225.12	238	249
250. ▶	34001.250.12.C	34001.250.12	34101.250.12.C	34101.250.12	263	274

Optionally available pivoting to one side only (inward or outward). Part. No. moving end 34001 ... 3 / Part No. fixed end 34001 ... 4

(KMA = polymer metal mounting bracket)



34001.075.12.C.A2 Order example
 .A... to indicate option with brackets pre-fitted
 C-profile option
 Full set
 Width index
 Series

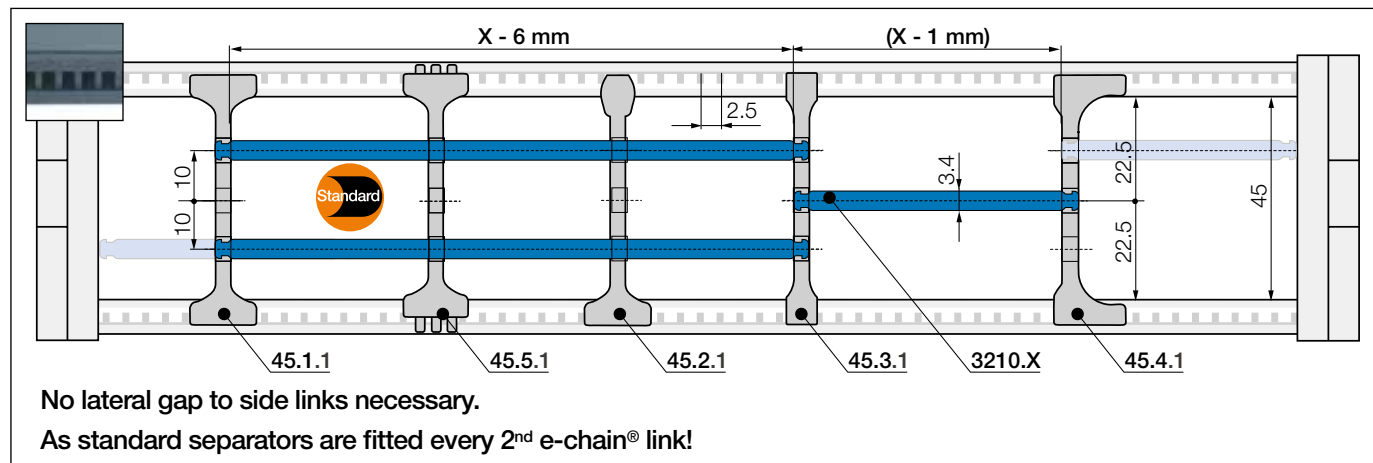


Option: steel mounting bracket, pivoting. For e-chains® and e-tubes, Part No. 3000.12
 ● Pivoting connections ● One part (2-piece) for all e-chain® widths ● Electrically conductive

Strain relief e.g. clamps, tiewrap plates, nuggets and clips are available from stock. The complete chainfix range with ordering options ▶ From page 1392

Interior separation | Increase cable service life

Previous generation of interior separation with other options ► www.igus.eu/3400 ► www.igus.eu/3500



Standard separator, wide base

unassembled	45.1
assembled	45.1.1

Standard - for any application
Separator with a wide base for maximum holding force.

Separator, narrow top

unassembled	45.2
assembled	45.2.1

For even faster installation
Wide on one side for high holding force, narrow on opposite side for easy cable fitting.

Separator, narrow

unassembled	45.3
assembled	45.3.1

For small cables
Separator with a narrow base for a large number of small cables side by side. Saves space.

Separator, asymmetrical

unassembled	45.4
assembled	45.4.1

For side-mounted applications
Asymmetrical separator, for defined gap distance. No additional spacers required.

Notch separator for notched crossbar

unassembled	45.5
assembled	45.5.1

Locks securely in preset increments
Notch separator for exact positioning. Recommended for side-mounted applications.

Shelf, lockable

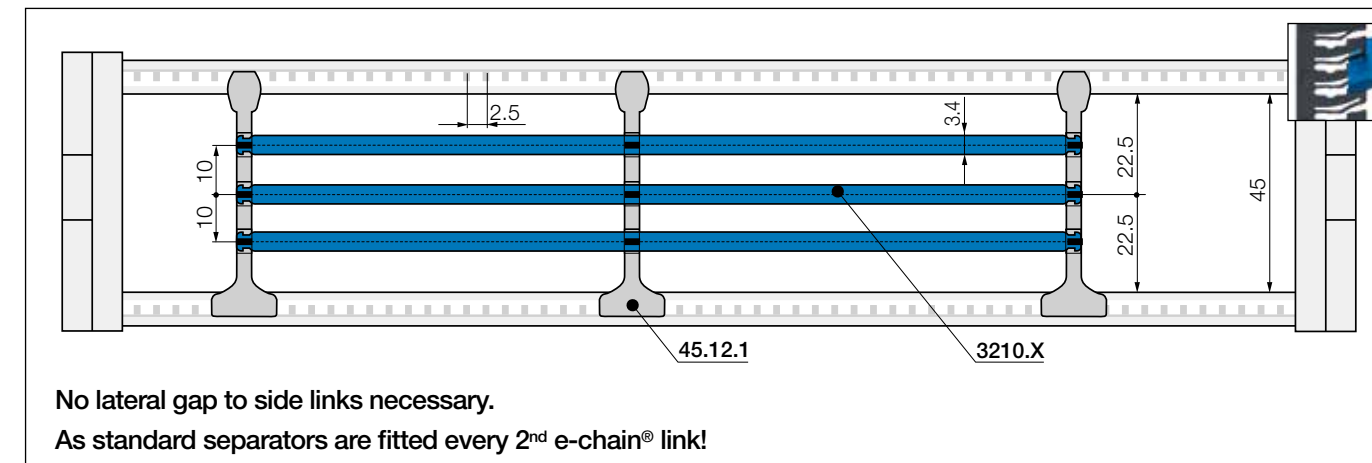
unassembled	3200.X
assembled	3210.X

Horizontal separation
Full-width shelf locks securely into separators at both ends, giving a fixed width. Can be used as full-width or partial shelf.

Shelves Width = X [mm]	X [mm]		X [mm]		X [mm]	
	unassembled	assembled	unassembled	assembled	unassembled	assembled
	050	3200.050	3210.050	125	3200.125	3210.125
	075	3200.075	3210.075	150	3200.150	3210.150
	100	3200.100	3210.100	175	3200.175	3210.175
	115	3200.115	3210.115	200	3200.200	3210.200



Interior separation | To allow faster filling



Lean separator¹⁾

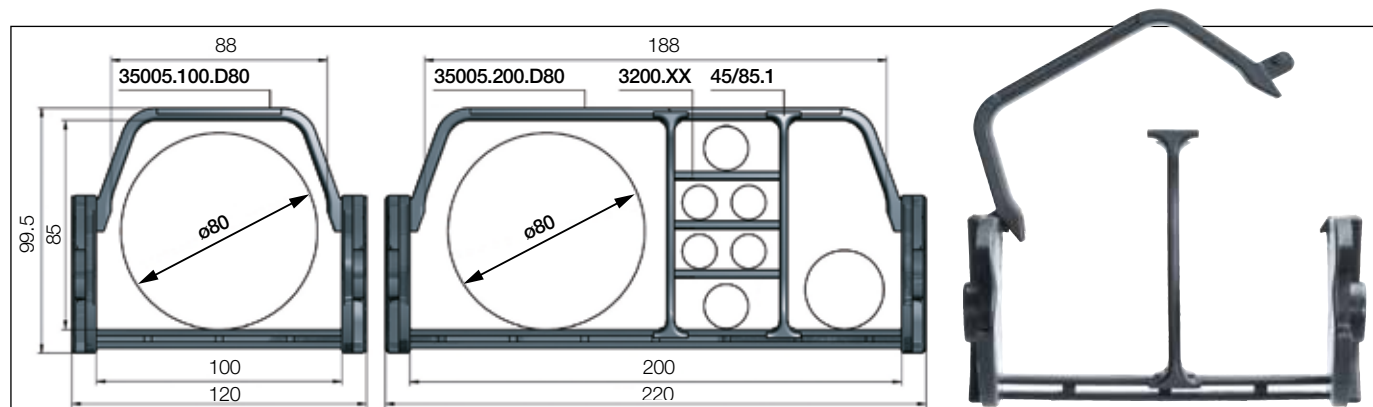
unassembled	45.12
assembled	45.12.1

Lean separators¹⁾
For quick fitting of shelves in several layers.
1) Note: Please combine maximum 4 lean separators with one shelf. Not suitable for side-mounted e-chains®!

With the lean separator you can quickly insert several layers of cables into the e-chain® and reduce the installation time by up to 50%²⁾.

²⁾ Lean interior separation vs. Standard separator - measured on a 4m long e-chain® fitted with 12 cables in the igus® readychain® factory





e-chains® with extender crossbars - large increase of the interior space for the smooth guiding of large hoses. Suitable for hoses with a maximum outer diameter of 80mm.

Part No. e-chains® Extender crossbars openable along inner radius	Part No. e-chains® Extender crossbars openable along outer radius	Bi [mm]	Ba [mm]	R Available bend radii [mm]
3400.100.D80.R.0	3500.100.D80.R.0	100	120	075* 100* 125 150 200 250 300
3400.200.D80.R.0	3500.200.D80.R.0	200	220	075* 100* 125 150 200 250 300

*Radius 075 and 100 only possible with e-chains® series 3500, openable along outer radius!

Complete Part No. with required radius (R). Example: 3500.100D80.200.0

Interior separation for e-chains® with extender crossbars

		Separator e-chain® with extender crossbars unassembled 45/85.1 assembled 45/85.1.1
		Shelf, lockable unassembled 3200.X assembled 3210.X

Standard separator, wide base

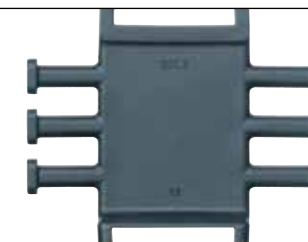
Separator with a wide base for maximum holding force. As standard separators are fitted every 2nd e-chain® link!

Horizontal separation

Full-width shelf locks securely into separators at both ends, giving a fixed width. Can be used as full-width or partial shelf.

Separator with integrated strain relief teeth

- Can be integrated into the mounting bracket or placed at any point
 - Combines strain relief and interior separation, for restricted space conditions
 - Strain relief separator is easy to assemble without any screws
- Part No. 301.Z - more information ► From page 1424



Steel support tray for support of the lower run

- Simple one-piece support trays for the lower run
 - To your requirements and specification
 - 4 options available
- More information ► From page 1356



CFU strain relief with innovative honeycomb design

- Fast filling, openable from both sides for assembly in seconds
 - Flexible honeycomb design for increased holding force
 - Tribologically optimised honeycomb design for the best hold
 - Universal use, compact, space-saving design
- More information ► From page 1422



E2/000 - dirt-resistant e-chain®, which saves installation space - here in a machine tool for workpieces



► Page 379



Half e-tubes | Series 3450 | Crossbars openable along inner radius from both sides, closed along outer radius
Full e-tubes | Series 3480 | Lids openable along inner radius from both sides, fully enclosed

Part No. half e-tubes openable along the inner radius	Part No. full e-tubes openable along the inner radius	Bi [mm]	Ba [mm]	R Available bend radii [mm]	3450 [kg/m]	3480 [kg/m]
3450.050.R.0	3480.050.R.0	50	70	075* 100* 125 150 200 250 300	≈ 1.77	≈ 1.96
3450.075.R.0	3480.075.R.0	75	95	075* 100* 125 150 200 250 300	≈ 1.95	≈ 2.07
3450.100.R.0	3480.100.R.0	100	120	075* 100* 125 150 200 250 300	≈ 2.15	≈ 2.30
3450.115.R.0	3480.115.R.0	115	135	075* 100* 125 150 200 250 300	≈ 2.30	≈ 2.46
3450.125.R.0	3480.125.R.0	125	145	075* 100* 125 150 200 250 300	≈ 2.42	≈ 2.49
3450.150.R.0	3480.150.R.0	150	170	075* 100* 125 150 200 250 300	≈ 2.60	≈ 2.62
3450.175.R.0	3480.175.R.0	175	195	075* 100* 125 150 200 250 300	≈ 2.75	≈ 2.80
3450.200.R.0	3480.200.R.0	200	220	075* 100* 125 150 200 250 300	≈ 2.90	≈ 2.94
3450.225.R.0	3480.225.R.0	225	245	075* 100* 125 150 200 250 300	≈ 3.12	≈ 3.15
3450.250.R.0	3480.250.R.0	250	270	075* 100* 125 150 200 250 300	≈ 3.30	≈ 3.28

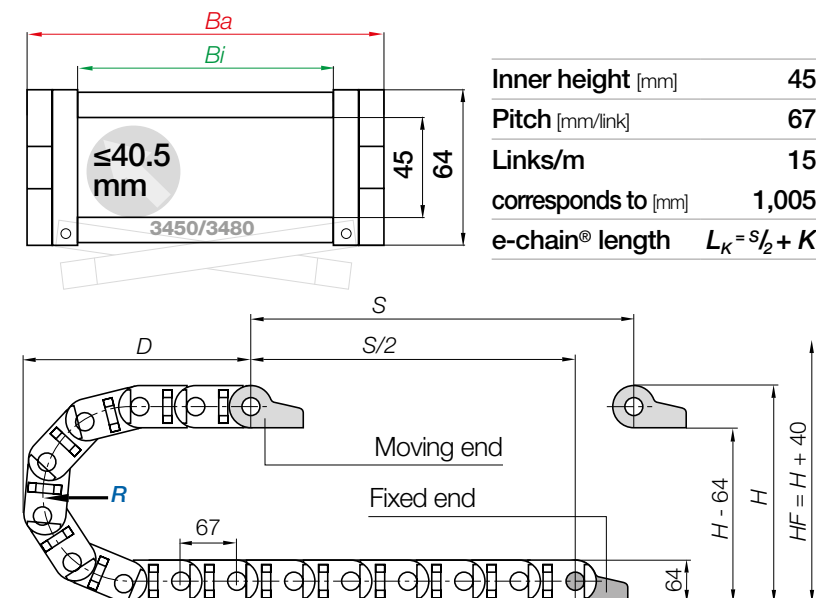
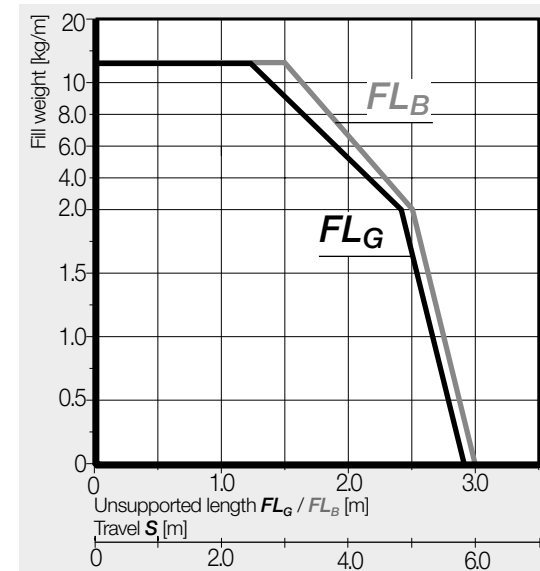
*Radius available upon request. Please consult igus® for delivery time.

Radii 075, 100: the e-tube is not completely enclosed. Please consult igus®.

Complete Part No. with required radius (R). Example: 3450.075.200.0



► 1392



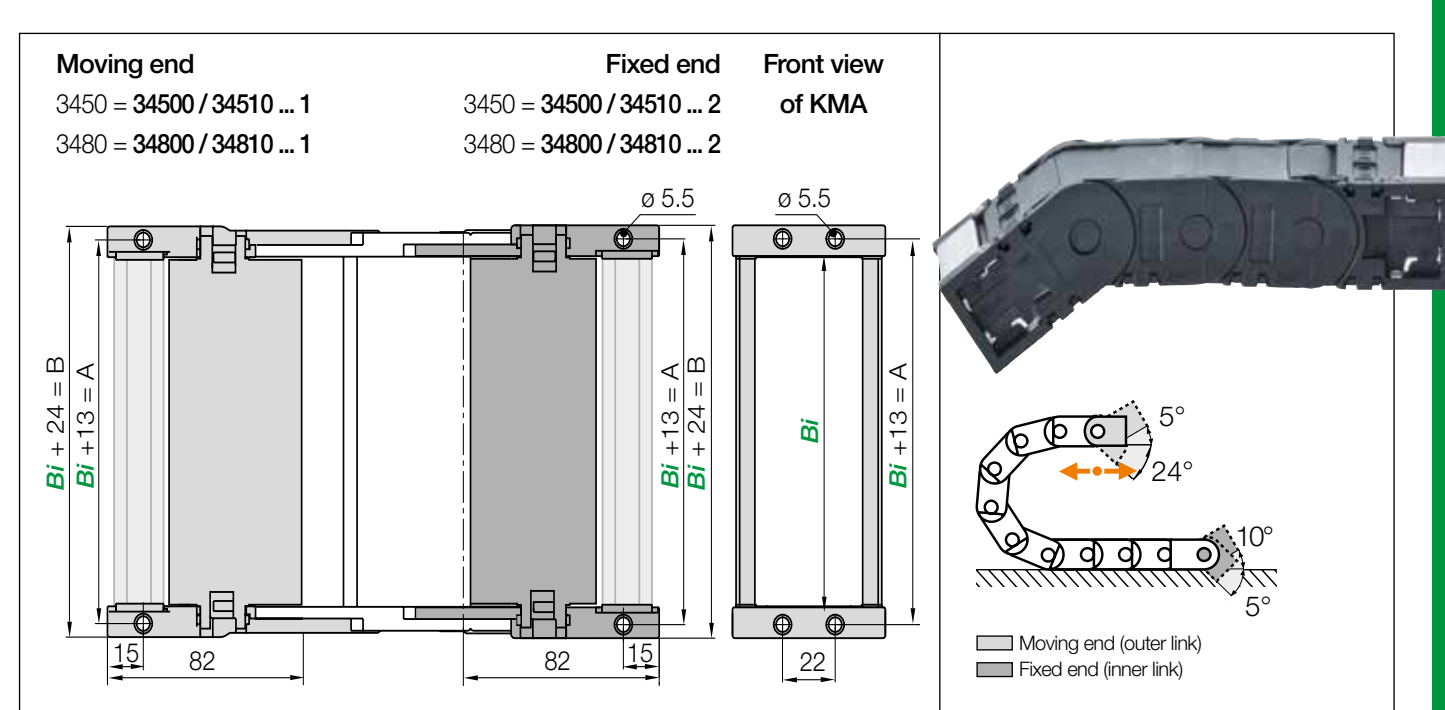
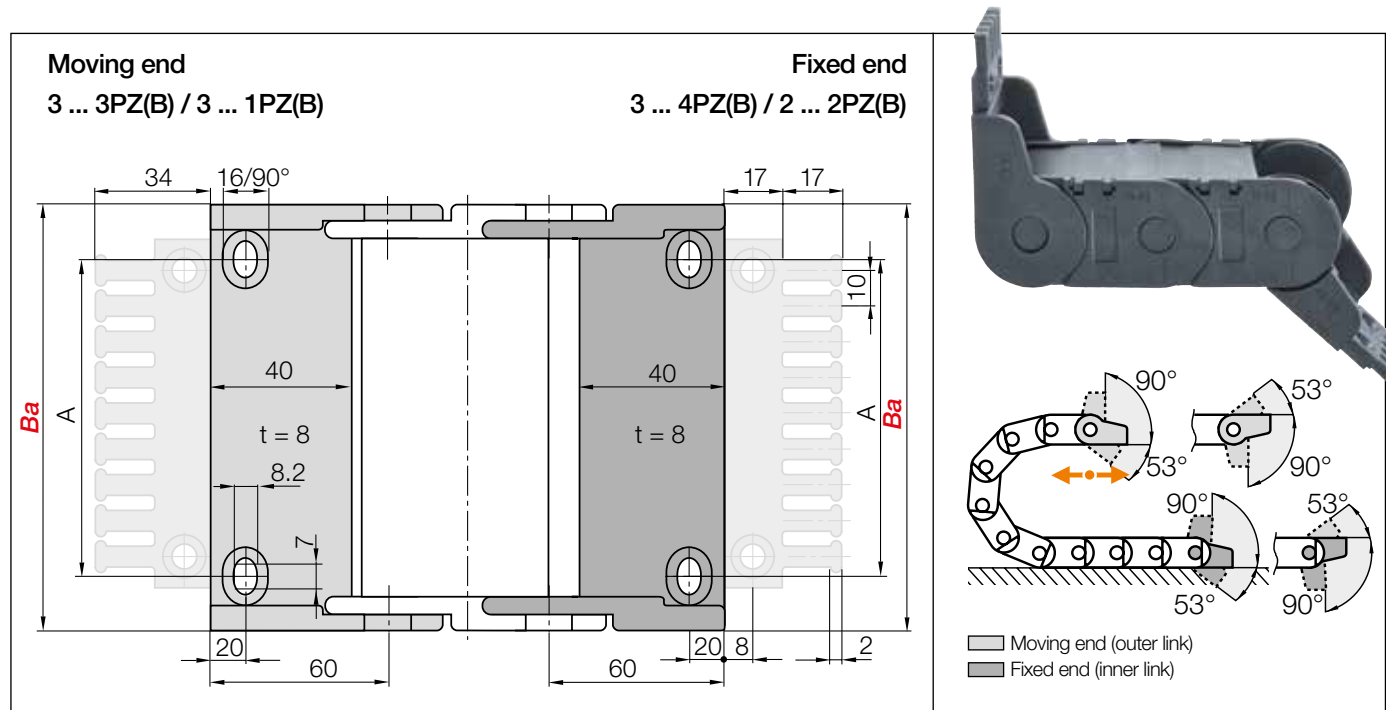
Inner height [mm]	45
Pitch [mm/link]	67
Links/m	15
corresponds to [mm]	1,005
e-chain® length $L_K = S/2 + K$	

R	075*	100*	125	150	200	250	300
H	214	264	314	364	464	564	664
D	208	233	258	283	333	383	433
K	370	450	530	610	765	920	1,080

The required clearance height: $H_F = H + 40\text{mm}$ (with 2.5kg/m fill weight)

*Radius available upon request. Please consult igus® for delivery time. Before using series 3450/3480 on long travels please consult igus®.

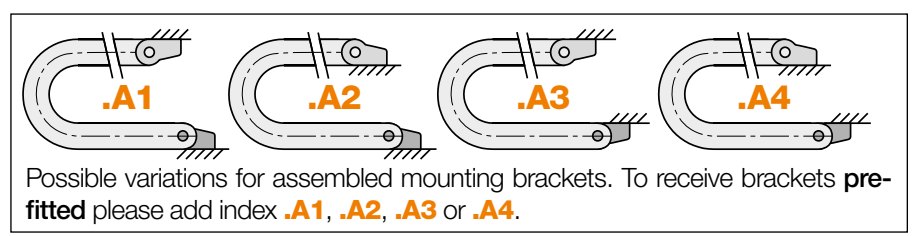
i If a gliding application is required for a long travel, please consult igus®.



Polymer pivoting | Recommended for unsupported applications
Polymer locking | Recommended for vertical hanging and standing applications

Width index	Part No. full set pivoting		Part No. full set locking		A [mm]	Number of teeth
	with tiewrap plates	without tiewrap plate	with tiewrap plates	without tiewrap plate		
050. ▶	3050.34PZB	3050.34PZ	3050.12PZB	3050.12PZ	28	5
075. ▶	3075.34PZB	3075.34PZ	3075.12PZB	3075.12PZ	53	7
100. ▶	3100.34PZB	3100.34PZ	3100.12PZB	3100.12PZ	78	10
115. ▶	3115.34PZB	3115.34PZ	3115.12PZB	3115.12PZ	93	11
125. ▶	3125.34PZB	3125.34PZ	3125.12PZB	3125.12PZ	103	12
150. ▶	3150.34PZB	3150.34PZ	3150.12PZB	3150.12PZ	128	15
175. ▶	3175.34PZB	3175.34PZ	3175.12PZB	3175.12PZ	153	17
200. ▶	3200.34PZB	3200.34PZ	3200.12PZB	3200.12PZ	178	20
225. ▶	3225.34PZB	3225.34PZ	3225.12PZB	3225.12PZ	203	22
250. ▶	3250.34PZB	3250.34PZ	3250.12PZB	3250.12PZ	228	25

Full set with tiewrap plate + 10 cable tiewraps, please add index **K1**. Example: 3250.34PZBK1



3075.34PZB.A1 Order example
 .A... to indicate option with brackets pre-fitted
 With integrated strain relief tiewrap plates
 Full set
 Series

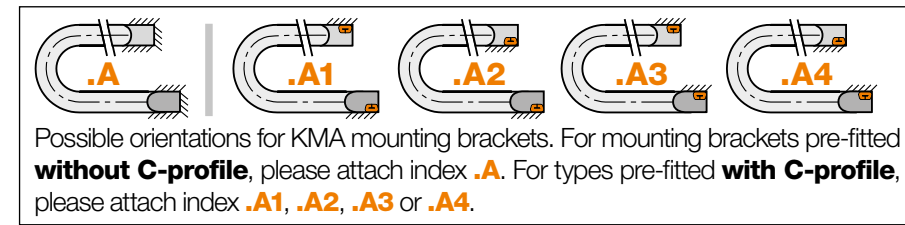
KMA pivoting | Recommended for unsupported applications
KMA locking | Recommended for vertical hanging and standing applications

Width index	Part No. full set KMA pivoting ¹⁾		Part No. full set KMA locking ²⁾		A [mm]	B [mm]
	with C-profile	without C-profile	with C-profile	without C-profile		
050. ▶	3450 3480.050.12.C	3450 3480.050.12	34510 34810.050.12.C	34510 34810.050.12	63	74
075. ▶	3450 3480.075.12.C	3450 3480.075.12	34510 34810.075.12.C	34510 34810.075.12	88	99
100. ▶	3450 3480.100.12.C	3450 3480.100.12	34510 34810.100.12.C	34510 34810.100.12	113	124
115. ▶	3450 3480.115.12.C	3450 3480.115.12	34510 34810.115.12.C	34510 34810.115.12	128	139
125. ▶	3450 3480.125.12.C	3450 3480.125.12	34510 34810.125.12.C	34510 34810.125.12	138	149
150. ▶	3450 3480.150.12.C	3450 3480.150.12	34510 34810.150.12.C	34510 34810.150.12	163	174
175. ▶	3450 3480.175.12.C	3450 3480.175.12	34510 34810.175.12.C	34510 34810.175.12	188	199
200. ▶	3450 3480.200.12.C	3450 3480.200.12	34510 34810.200.12.C	34510 34810.200.12	213	224
225. ▶	3450 3480.225.12.C	3450 3480.225.12	34510 34810.225.12.C	34510 34810.225.12	238	249
250. ▶	3450 3480.250.12.C	3450 3480.250.12	34510 34810.250.12.C	34510 34810.250.12	263	274

1) KMA pivoting Part No. 34500 for half e-tube series 3450 / KMA pivoting Part No. 34800 for full e-tube series 3480

2) KMA locking Part No. 34510 for half e-tube series 3450 / KMA locking Part No. 34810 for full e-tube series 3480

(KMA = polymer metal mounting bracket)



3450.075.12.C.A2 Order example
 .A... to indicate option with brackets pre-fitted
 C-profile option
 Full set
 Width index
 Series

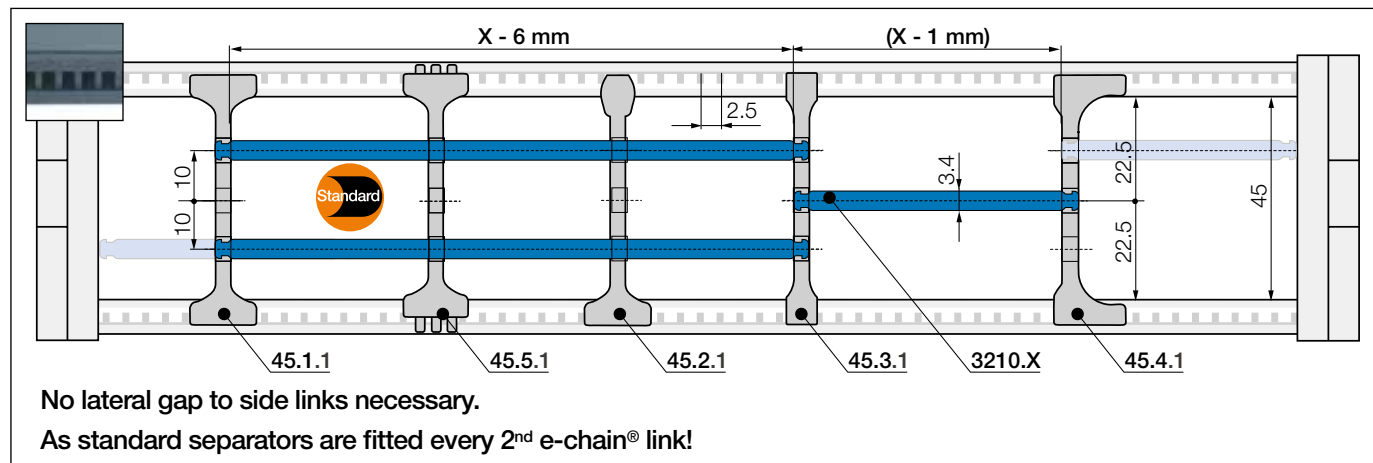
Option: steel mounting bracket, pivoting. For e-chains® and e-tubes, Part No. 3000.12
 ● Pivoting connections ● One part (2-piece) for all e-chain® widths ● Electrically conductive

Strain relief e.g. clamps, tiewrap plates, nuggets and clips are available from stock. The complete chainfix range with ordering options ▶ From page 1392

Strain relief e.g. clamps, tiewrap plates, nuggets and clips are available from stock. The complete chainfix range with ordering options ▶ From page 1392

Interior separation | Increase cable service life

Previous generation of interior separation with other options ► www.igus.eu/3450 ► www.igus.eu/3480



Standard separator, wide base

unassembled	45.1
assembled	45.1.1

Standard - for any application
Separator with a wide base for maximum holding force.

Separator, narrow top

unassembled	45.2
assembled	45.2.1

For even faster installation
Wide on one side for high holding force, narrow on opposite side for easy cable fitting.

Separator, narrow

unassembled	45.3
assembled	45.3.1

For small cables
Separator with a narrow base for a large number of small cables side by side. Saves space.

Separator, asymmetrical

unassembled	45.4
assembled	45.4.1

For side-mounted applications
Asymmetrical separator, for defined gap distance. No additional spacers required.

Notch separator for notched crossbar

unassembled	45.5
assembled	45.5.1

Locks securely in preset increments
Notch separator for exact positioning. Recommended for side-mounted applications.

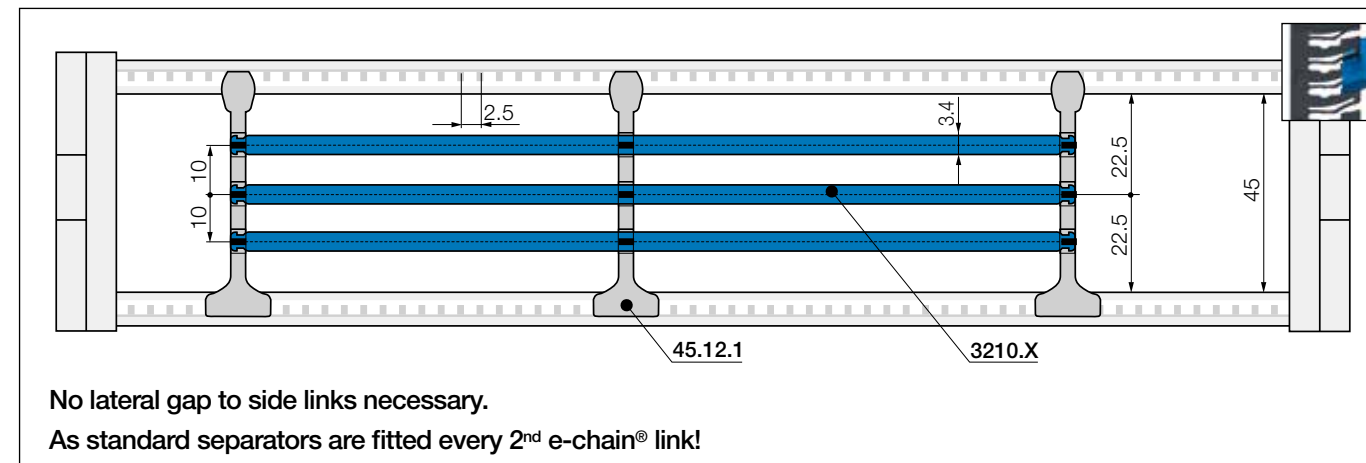
Shelf, lockable

unassembled	3200.X
assembled	3210.X

Horizontal separation
Full-width shelf locks securely into separators at both ends, giving a fixed width. Can be used as full-width or partial shelf.

Shelves Width = X [mm]	X [mm]		X [mm]		X [mm]	
	unassembled	assembled	unassembled	assembled	unassembled	assembled
	050	3200.050	3210.050	125	3200.125	3210.125
	075	3200.075	3210.075	150	3200.150	3210.150
	100	3200.100	3210.100	175	3200.175	3210.175
	115	3200.115	3210.115	200	3200.200	3210.200

Interior separation | To allow faster filling



Lean separator¹⁾

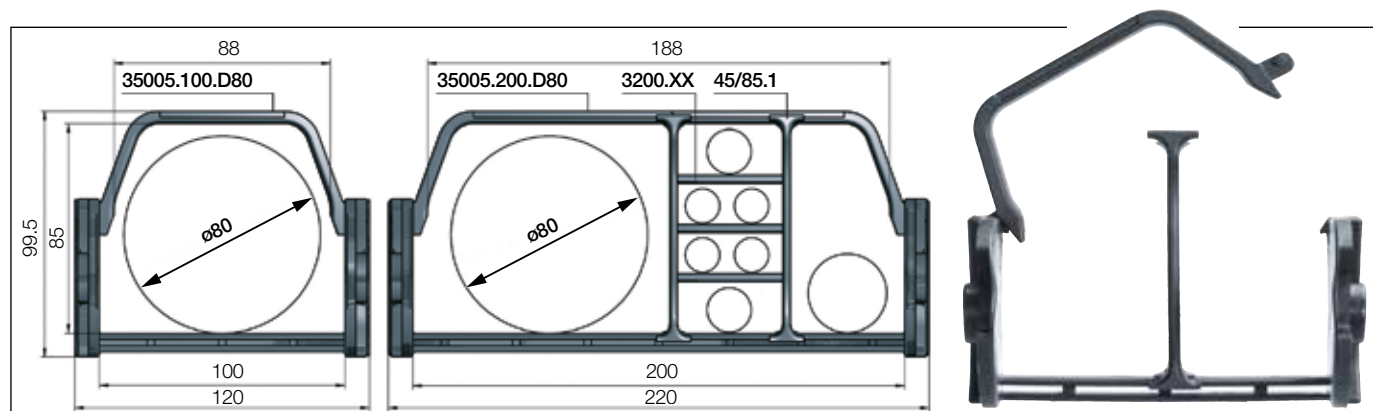
unassembled	45.12
assembled	45.12.1

Lean separators¹⁾
For quick fitting of shelves in several layers.
1) Note: Please combine maximum 4 lean separators with one shelf. Not suitable for side-mounted e-chains®!

With the lean separator you can quickly insert several layers of cables into the e-chain® and reduce the installation time by up to 50%²⁾.

²⁾ Lean interior separation vs. Standard separator - measured on a 4m long e-chain® fitted with 12 cables in the igus® readychain® factory





e-chains® with extender crossbars only for series 3450 - large increase of the interior space for the smooth guiding of large hoses. Suitable for hoses with a maximum outer diameter of 80mm.

Part No. half e-tubes Extender crossbars openable along the inner radius	Bi [mm]	Ba [mm]	R Available bend radii [mm]
3450.100.D80.R.0	100	120	125 150 200 250 300
3450.200.D80.R.0	200	220	125 150 200 250 300

Complete Part No. with required radius (R). Example: 3450.100D80.200.0

Interior separation for e-chains® with extender crossbars

		Separator e-chain® with extender crossbars unassembled 45/85.1 assembled 45/85.1.1
		Shelf, lockable unassembled 3200.X assembled 3210.X

Standard separator, wide base

Separator with a wide base for maximum holding force. As standard separators are fitted every 2nd e-chain® link!

Horizontal separation

Full-width shelf locks securely into separators at both ends, giving a fixed width. Can be used as full-width or partial shelf.

Separator with integrated strain relief teeth

- Can be integrated into the mounting bracket or placed at any point
 - Combines strain relief and interior separation, for restricted space conditions
 - Strain relief separator is easy to assemble without any screws
- Part No. 34501.Z - more information ► From page 1424



Steel support tray for support of the lower run

- Simple one-piece support trays for the lower run
 - To your requirements and specification
 - 4 options available
- More information ► From page 1356



CFU strain relief with innovative honeycomb design

- Fast filling, openable from both sides for assembly in seconds
 - Flexible honeycomb design for increased holding force
 - Tribologically optimised honeycomb design for the best hold
 - Universal use, compact, space-saving design
- More information ► From page 1422



E2/000 - robust energy supply even with constant air draught and the resulting pendulum movements in this 160m lift for the Post Tower, Bonn