

E -xtreme

E-Xtreme® series

ADVANTAGES

The protection is granted also in case of impact with stones and sand.

The materials are able to withstand UV radiations, a wide temperature range and harsh chemicals.

Their **special patented protective coating** assures a high level of protection against the corrosion even in case of long term exposure to salt mist.

Metal hoods and housings intended for **extremely demanding environments**, with special protective treatment under painting.

➤ 3.000 hours in salt spray tests



➤ IP66, IP67, IP69 degree of protection (EN 60529)

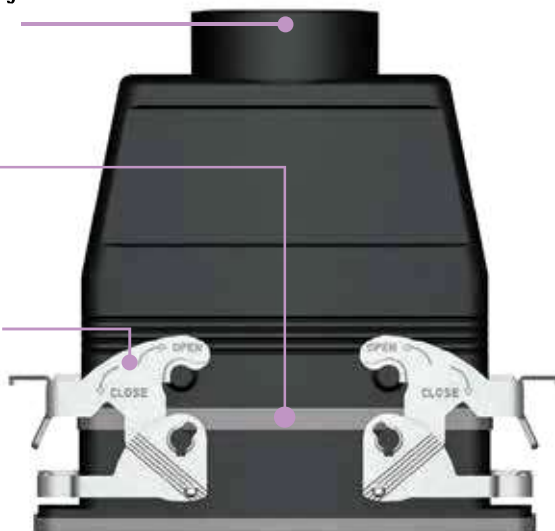
➤ corrosion-proof aluminium with a **special coating** under the powder painting colour **RAL 7016 dark grey**

➤ **FKM** gasket (-40 °C...+180 °C) or **silicone** gasket (-60 °C...+180 °C)

➤ **V-TYPE lever** or **C-TYPE lever**, hoods with moulded pegs or riveted stainless steel bolts

➤ **V-TYPE lever** or **C-TYPE lever**, hoods with moulded pegs or riveted stainless steel bolts

➤ **durable protection** against damage caused by stone chip, icing, salt mist, UV radiations and harsh gases



Icing



Very Low Temperatures



Salt Mist



Impact Resistant



UV Radiations



Chemical Resistant

