

CH-MH Enclosures

Size 104.27
Double Locking

CHI 24	MHP 24.225	MAP 24.240





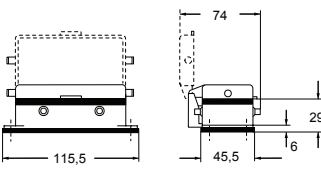
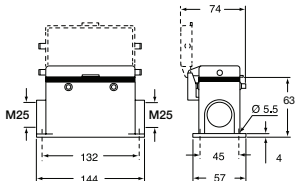
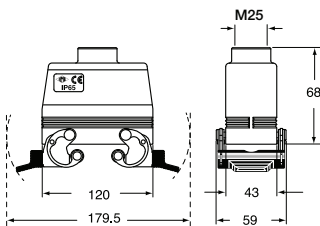
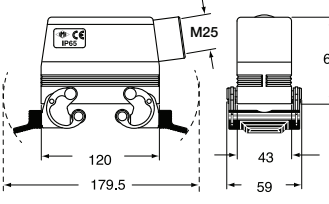


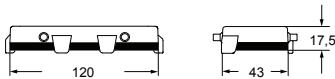
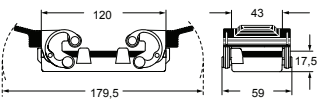
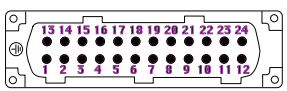
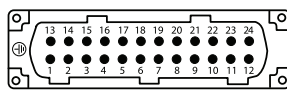
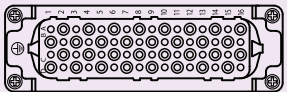
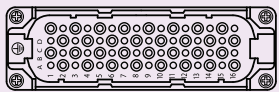
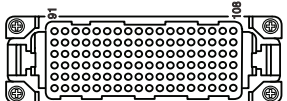
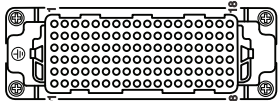
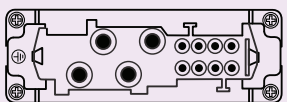
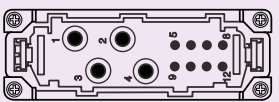
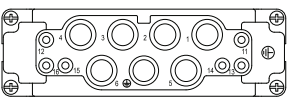
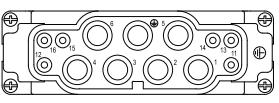
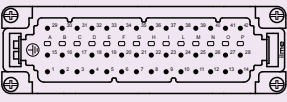
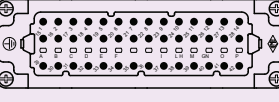
MHV 24.25 MHV 24.32	MHO 24.25 MHO 24.32	MHV 24 G32

MAV 24.32	MAO 24.32	MAV 24 G32

CH-MH Enclosures

Size 104.27

Double Lever

CHI 24 CS	MHP 24 CS 225	MHV 24 X25	MHO 24 X25
			
			
CHC 24		CHC 24 G	
			
			
Male Inserts		Female Inserts	
CNEM 24 T 24 pin 16 amp 400 volt		CNEF 24 T 24 pin 16 amp 400 volt	
CDM 64 64 pin 10 amp 250 volt (crimp)		CDF 64 64 pin 10 amp 250 volt (crimp)	
CDDM 108 108 pin 10 amp 250 volt (crimp)		CDDF 108 108 pin 10 amp 250 volt (crimp)	
CXM 4 / 8 4 pin 80 amp 690 v + 8 pin 16a 400 v		CXF 4 / 8 4 pin 80 amp 690 v + 8 pin 16a 400 v	
CXM 6 / 6 6 Pin 100 amp 690volt + 6 pin 16amp 400volt		CXF 6 / 6 6 Pin 100 amp 690volt + 6 pin 16 amp 400volt	
CDSHM 42 42 Pin 10 amp 400 volt (Squich)		CDSHF 42 42 Pin 10 amp 400 volt (Squich)	

All dimensions in mm. For crimp pins refer to page 354.

CH-MH-MA Enclosures

Size 104.27
Single Locking

CHI 24 L	CHI 24 LS	MHP 24 L225	MHP 24 LS225

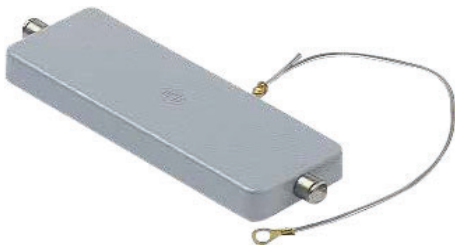

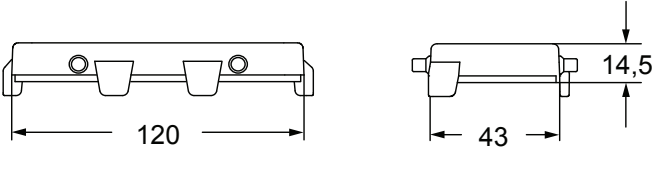
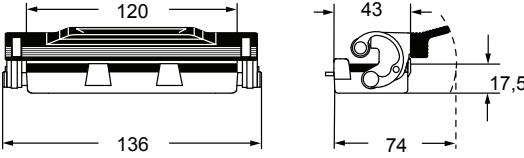

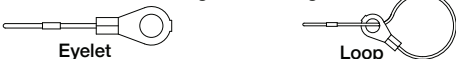
MHV 24 L25 MHV 24 L32	MHO 24 L25 MHO 24 L32	MHV 24 LG32

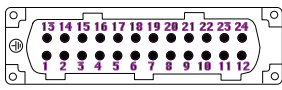
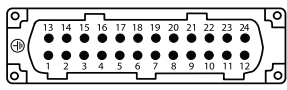
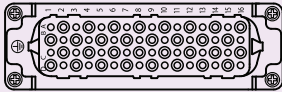
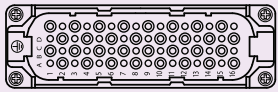
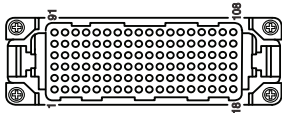
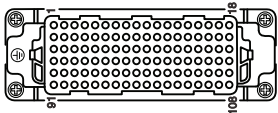
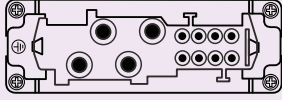
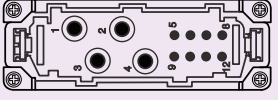
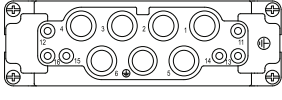
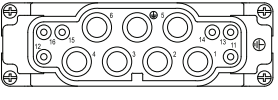
MAV 24 L32	MAO 24 L32	MAV 24 LG32

CH-MH-MA Enclosures

Size 104.27

Single Lever

CHC 24 L	CHL 24 LG
	
	
<p>For fixings on housings</p> 	<p>For fixings on housings</p> 

Male Inserts		Female Inserts	
<p>CNEM 24 T 24 pin 16 amp 400 volt</p>		<p>CNEF 24 T 24 pin 16 amp 400 volt</p>	
<p>CDM 64 64 pin 10 amp 250 volt (crimp)</p>		<p>CDF 64 64 pin 10 amp 250 volt (crimp)</p>	
<p>CDDM 108 108 pin 10 amp 250 volt (crimp)</p>		<p>CDDF 108 108 pin 10 amp 250 volt (crimp)</p>	
<p>CXM 4 / 8 4 pin 80 amp 690 v + 8 pin 16a 400 v</p>		<p>CXF 4 / 8 4 pin 80 amp 690 v + 8 pin 16a 400 v</p>	
<p>CXM 6 / 6 6 Pin 100 amp 690volt + 6 pin 16amp 400volt</p>		<p>CXF 6 / 6 6 Pin 100 amp 690volt + 6 pin 16amp 400volt</p>	

All dimensions in mm. For crimp pins refer to page 354.