
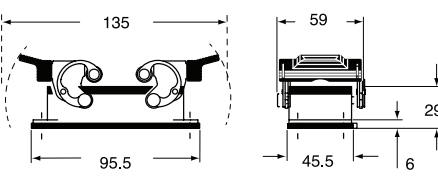

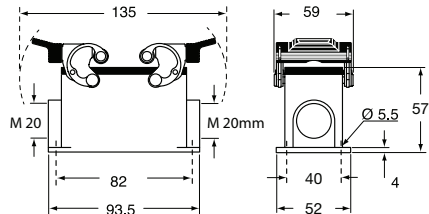

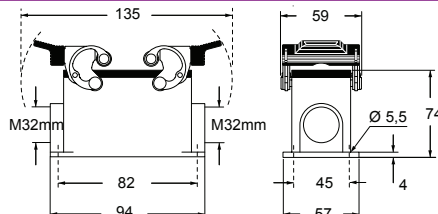

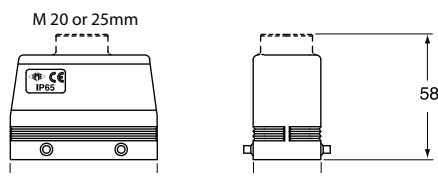

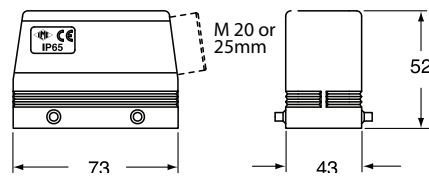

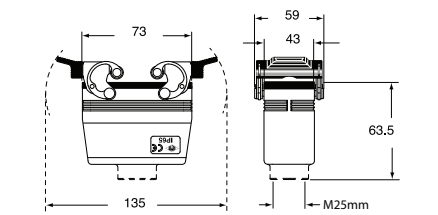

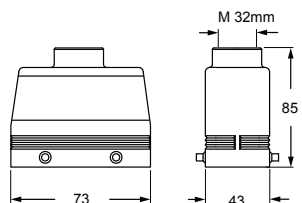

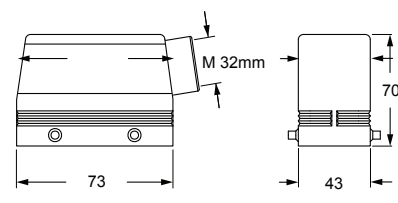

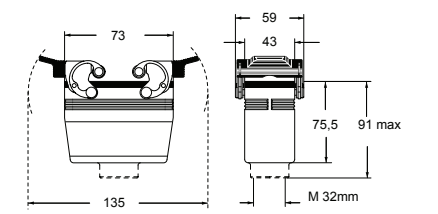


CH-MH-MA Enclosures

Size 57.27
Double Locking

CHI 10	MHP 10.220	MAP 10.232
 	 	 
<p>MHV 10.20 MHV 10.25</p>	<p>MHO 10.20 MHO 10.25</p>	<p>MHV 10 G25</p>
 	 	 
<p>MAV 10.32</p>	<p>MAO 10.32</p>	<p>MAV 10 G32</p>
 	 	 

CH-MH-MA Enclosures

Size 57.27
Double Locking

CHI 10 CS	MHP 10 CS220	MHV 10 X20	MHO 10 X20

CHC 10	CHC 10 G

Male Inserts		Female Inserts	
CNEM 10 T 10 Pin 16 amp 400 volt		CNEF 10 T 10 Pin 16 amp 400 volt	
CDDM 42 (crimp pins) 42 Pin 10 amp 250 volt		CDDF 42 (crimp pins) 42 Pin 10 amp 250 volt	
CXM 8/24 (crimp pins) 8 Pin 16 amp 400 volt + 24 Pin 10 amp 250 volt		CXF 8/24 (crimp pins) 8 Pin 16 amp 400 volt + 24 Pin 10 amp 250 volt	
CDSHM 18 18 Pin 10 amp 400 volt		CDSHF 18 18 Pin 10 amp 400 volt	

All dimensions in mm.

For crimp pins refer to page 354

CH-MH-MA Enclosures

Size 57.27
Single locking



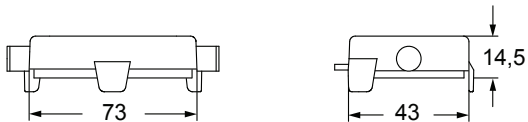
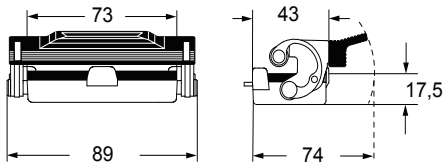
CHI 10L	CHI 10 LS	MHP 10 L220	MHP 10 LS220

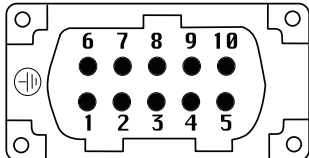
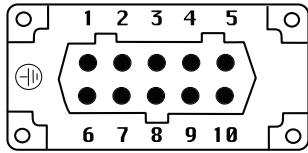
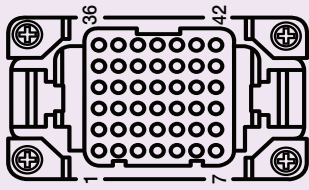
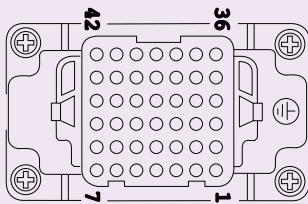
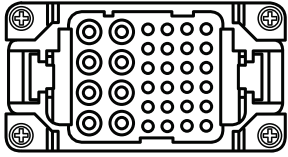
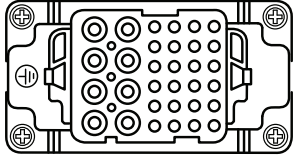
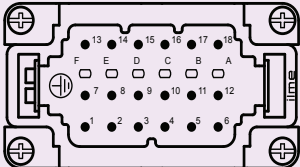
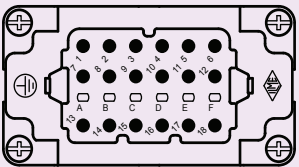
MHV 10 L20 MHV 10 L25	MHO 10 L20 MHO 10 L25	MHV 10 LG25

MAV 10 L32	MAO 10 L32	MAV 10 LG32

CH-MH-MA Enclosures

Size 57.27
Single locking

CHC 10 L	CHC 10 LG
	
	

Male Inserts		Female Inserts	
<p>CNEM 10 T 10 Pin 16 amp 400 volt</p>		<p>CNEF 10 T 10 Pin 16 amp 400 volt</p>	
<p>CDDM 42 (crimp pins) 42 Pin 10 amp 250 volt</p>		<p>CDDF 42 (crimp pins) 42 Pin 10 amp 250 volt</p>	
<p>CXM 8/24 (crimp pins) 8 Pin 16 amp 400 volt + 24 Pin 10 amp 250 volt</p>		<p>CXF 8/24 (crimp pins) 8 Pin 16 amp 400 volt + 24 Pin 10 amp 250 volt</p>	
<p>CDSHM 18 18 Pin 10 amp 400 volt</p>		<p>CDSHF 18 18 Pin 10 amp 400 volt</p>	

All dimensions in mm. For crimp pins refer to page 354.