

Cable Accessories



Contents

CABLE GLANDS

SKINTOP® ST-M / SKINTOP® STR-M	Nylon Gland	391
SKINTOP® ST-M & ST with Lock Nut	Nylon Gland	391
SKINTOP® MS-M / SKINTOP® MSR-M	Nickel plated brass gland	392
SKINTOP® MS-M-XL / SKINTOP® MSR-M-XL	Nickel plated brass gland	393
SKINTOP® BS-M	Spiral strain relief cable gland	394
SKINDICHT® SVF-M	Nickel plated flat gland	395
SKINTOP® MS-SC-M / SKINTOP® MS-SC-M-XL	EMC gland	396
SKINTOP® MS-M BRUSH	EMC gland	397
SKINTOP® HYGIENIC / SKINTOP® HYGIENIC-R	Stainless Steel HYGIENIC	398
SKINTOP® INOX / SKINTOP INOX R	Stainless steel glands	398
SKINTOP® K-M ATEX plus / SKINTOP® KR-M ATEX plus	Explosion proof gland	399
SKINTOP® DIX-M	Sealing inserts - dust protection	400
SKINDICHT® ZS-M	Adapters	401
SKINDICHT®MR-M	Reducers	402
SKINDICHT®ME-M	Enlargers	402
SKINTOP® GMP-GL-M	Locknuts nylon	403
SKINDICHT®SM-M	Locknuts metal	404
SKINDICHT® SM-PE-M	Locknuts EMC	404
SKINDICHT® BLK-M / SKINDICHT® BLK-GL-M	Blind plugs nylon	405
SKINDICHT® BL-M	Blind plugs metal	406
TA Cable Gland		408
KLIKSEAL		
Product Features	TKS KLIKSEAL®	409
KLIKSEAL®	KLIKSEAL® for thin materials	410
RUTASEAL®	Rubber Grommets	411
RUTASEAL® EPDM Metric	EPDM Metric	412
TSS	Grommet range	413
TSS	Product features	414
TSS	TPE - Thermoplastic Elastomer	415
Why TST Grommets	Examples of applications	416
Cable tie type	TY-RAP®	417
Cable tie with label	With steel lug lock	418
Cable tie type TY-MX	TY-MX	419
Cable tie	With standard	420
Cable tie	Type E	421
Mounting block	BS	422
Mounting block	TC	423
Mounting block	TS	424
Mounting tool	WT1, WT2	425

SKINTOP®

Cable Glands



Simply feed in the cable and twist. That's it. SKINTOP® cable glands provide secure connections in no time. The universal systems are simple but effective. They secure and centre the cable, hermetically seal it and guarantee optimum strain relief.

Application range

- Industrial machinery and plant engineering
- Drive systems
- Measurement and control technology
- Renewable energies
- Wherever cables need to be fastened securely and quickly



Info

- Now with IP69 approval! Proven to withstand the most demanding cleaning procedures for industrial machinery with high-pressure cleaners and hot water!

Technical data

- Classification**
ETIM 5.0 Class-ID: EC000441
ETIM 5.0 Class-Description: Cable screw gland
- Caution SKINTOP® ST-M**
Call to request appendix T21 for the installation dimensions and torques
Size M 40 x 1,5 up tp M 63 x 1,5 with O-ring
- SKINTOP® STR-M**
- Colour delivered**
Silver grey (RAL 7001)
Light grey (RAL 7035)
Black (RAL 9005), UV-resistant
- Material**
Body: Polyamide
Seal: CR
- Tests**
GGVS: TÜ.EGG.020-95
- Protection rating**
IP 68 - 5 bar
IP 69
- Temperature range**
Fixed: -40°C to +100°C
Dynamic: -20°C to +100°C

Benefits

- SKINTOP® ST-M**
- High oil-resistance for maximum reliability
- Permanent vibration protection
- Wide, variable clamping ranges
- Optimum strain relief
- Various accessories (e.g. multiple sealing inserts)

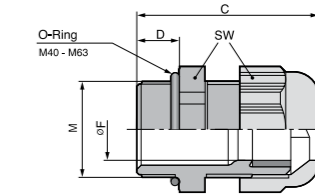
Application range

- SKINTOP® ST-M**
- Used in areas where cables and wires need to be safely inserted into housings
- Machine and equipment manufacturing
- Photovoltaic
- Automation technology
- Offshore platforms, equipment and shipyards
- SKINTOP® STR-M**
- With reducing seal insert, to seal cables with smaller outer diameters.

SKINTOP® metric plastic cable glands • SKINTOP® Standard



SKINTOP® ST-M / SKINTOP® STR-M



Norm references / Approvals

- UL File Nr. E79903
- GGVS: TÜ.EGG.020-95

Product Make-up

- Metric connection thread acc. to DIN EN 60423
- Basis for technical information EN 50262

Note

- Counter nut to be used: SKINTOP® GMP-GL-M
- SKINTOP® ST(R) M ISO types have an extra-long connection thread
- SKINTOP® ST(R) M ISO versions with extra-long connection thread, see table, no DNV approval

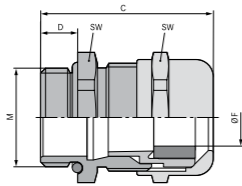
Also available in Grey and Silver Grey

Article number	Article designation / size	Clamping range ØF (mm)	SW wrench size mm	Overall length, C (mm)	Thread length, D (mm)	Pieces / PU
SKINTOP® ST-M black						
53111200	ST-M 12 x 1,5	3,5-7	15	30,0	8	100
53111210	ST-M 16 x 1,5	4,5-10	19	34,0	8	100
53111220	ST-M 20 x 1,5	7-13	25	37,0	9	100
53111230	ST-M 25 x 1,5	10-17	30	40,0	10	50
53111240	ST-M 32 x 1,5	11-21	36	47,0	10	25
53111250	ST-M 40 x 1,5	19-28	46	52,0	10	10
53111260	ST-M 50 x 1,5	27-35	55	62,0	12	5
53111270	ST-M 63 x 1,5	34-45	66	71,0	12	5
SKINTOP® STR-M black						
53111300	STR-M 12 x 1,5	1-5	15	30,0	8	100
53111310	STR-M 16 x 1,5	2-7	19	34,0	8	100
53111320	STR-M 20 x 1,5	5-10	25	37,0	9	100
53111330	STR-M 25 x 1,5	6-13	30	40,0	10	50
53111340	STR-M 32 x 1,5	7-15	36	47,0	10	25
53111350	STR-M 40 x 1,5	15-23	46	52,0	10	10
53111360	STR-M 50 x 1,5	22-29	55	62,0	12	5
53111370	STR-M 63 x 1,5	28-39	66	71,0	12	5
SKINTOP® ST-M black long thread						
53010000	ST-M 12 x 1,5	3,5-7	15	36,7	15	100
53017210	ST-M 16 x 1,5	3,5-8	19	40,0	12	100
53017230	ST-M 20 x 1,5	5-12	24	45,0	13	100
53017240	ST-M 25 x 1,5	9-14	27	47,0	13	50

SKINTOP® metric nickel-plated brass cable glands • SKINTOP® MS-M



SKINTOP® MS-M / SKINTOP® MSR-M



Benefits

- SKINTOP® MS-M**
- Maximum reliability
 - Optimum strain relief
 - Wide, variable clamping ranges
 - For cable diameters up to 98 mm

Application range

- SKINTOP® MS-M**
- In areas where mechanical and chemical stability are critical
 - Chemical industry
 - Measurement and control technology
 - Machine and equipment manufacturing
 - Plant engineering

SKINTOP® MSR-M

- With reducing seal insert, to seal cables with smaller outer diameters.

Norm references / Approvals

- UL File Nr. E79903

Product Make-up

- Metric connection thread acc. to DIN EN 60423
- Basis for technical information EN 50262

Note

- Counter nut to be used: SKINDICHT® SM-M (See page 80)



Info

- SKINTOP® MS-M sizes 75 x 1.5 to 110 x 2 with innovative double lamella gasket for easier assembling of cables with large diameters.
- Now with IP69 approval! Proven to withstand the most demanding cleaning procedures for industrial machinery with high-pressure cleaners and hot water!

Technical data

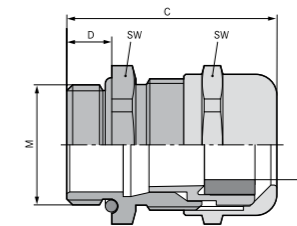
- Classification**
ETIM 5.0 Class-ID: EC000441
ETIM 5.0 Class-Description: Cable screw gland
- Caution**
Call to request Appendix T21 for the installation dimensions and torques
- Certifications**
IP 69 approval from size M75 x 1.5 pending.
UL, CSA, DNV and VDE approval for sizes M90 x 2 to M110 x 2 pending.
- Material**
Body: nickel-plated brass
Insert: polyamide
Sealing ring: CR
O-ring: NBR
- Protection rating**
IP 68
IP 69 (M12 - M63)
- Temperature range**
dynamic -25°C up to + 100°C
Fixed: -40°C to +100°C

Article number	Article designation/size	Clamping range ØF (mm)	SW wrench size mm	Overall length, C (mm)	Thread length, D (mm)	Pieces /PU
SKINTOP® MS-M/SKINTOP® MSR-M						
53112000	12 x 1,5	3-7	16	26.5	6.5	100
53112010	16 x 1,5	4,5-10	20	32.0	7	100
53112020	20 x 1,5	7-13	24	35.5	8	50
53112030	25 x 1,5	9-17	29	37.5	8	25
53112040	32 x 1,5	11-21	36	42.2	9	25
53112050	40 x 1,5	19-28	45	49.5	9	10
53112060	50 x 1,5	27-35	54	52.0	10	5
53112070	63 x 1,5	34-45	67	61.3	15	5
53112080	63 x 1,5 plus	44-55	75	65.5	15	5
53112510	75 x 1,5	58-68	95	105.0	15	1
53112512	90 x 2	66-78	115	136.0	20	1
53112514	110 x 2	86-98	135	154.0	25	1
SKINTOP® MSR-M						
53112100	12 x 1,5	1-5	16	26.5	6.5	100
53112110	16 x 1,5	2-7	20	32.0	7	100
53112120	20 x 1,5	5-10	24	35.5	8	50
53112130	25 x 1,5	6-13	29	37.5	8	25
53112140	32 x 1,5	7-15	36	42.2	9	25
53112150	40 x 1,5	15-23	45	49.5	9	10
53112160	50 x 1,5	22-29	54	52.0	10	5
53112170	63 x 1,5	28-39	67	61.3	15	5
53112511	75 x 1,5	53-63	95	105.0	15	1
53112515	110 x 2	76-88	135	154.0	25	1

SKINTOP® metric nickel-plated brass cable glands • SKINTOP® MS-M



SKINTOP® MS-M-XL / SKINTOP® MSR-M-XL



Technical data

- Classification**
ETIM 5.0 Class-ID: EC000441
ETIM 5.0 Class-Description: Cable screw gland
- Caution**
Call to request appendix T21 installation dimensions and torques
- Material**
Body: nickel-plated brass
Insert: polyamide
Sealing ring: CR
O-ring: NBR
- Protection rating**
IP 68 - 10 bar
IP 69
- Temperature range**
Dynamic -25°C up to + 100°C
Fixed: -40°C to +100°C

Benefits

- SKINTOP® MS-M-XL**
- Especially for thick walls
 - Maximum reliability
 - Optimum strain relief
 - Wide, variable clamping ranges
- SKINTOP® MSR-M-XL**
- For the benefits, refer to SKINTOP® MS-M-XL

Application range

- SKINTOP® MS-M-XL**
- With long connection thread for applications involving a thicker wall.
- SKINTOP® MSR-M-XL**
- With reducing seal insert, to seal cables with smaller outer diameters.

Norm references / Approvals

- UL File Nr. E79903

Product Make-up

- Metric connection thread acc. to DIN EN 60423
- Basis for technical information EN 50262

Note

- Counter nut to be used: SKINDICHT® SM-M (See page 80)

Article number	Article designation/size	Clamping range ØF (mm)	SW wrench size mm	Overall length, C (mm)	Thread length, D (mm)	Pieces / PU
SKINTOP® MS-M-XL						
53112005	12 x 1,5	3-7	16	32.8	12	100
53112015	16 x 1,5	4,5-10	20	37.0	12	50
53112025	20 x 1,5	7-13	24	39.5	12	50
53112035	25 x 1,5	9-17	29	41.5	12	25
53112045	32 x 1,5	11-21	36	48.2	15	25
53112055	40 x 1,5	19-28	45	53.5	15	10
53112065	50 x 1,5	27-35	54	57.0	15	5
SKINTOP® MSR-M-XL						
53112105	12 x 1,5	1-5	16	32.8	12	100
53112115	16 x 1,5	2-7	20	37.0	12	50
53112125	20 x 1,5	5-10	24	39.5	12	50
53112135	25 x 1,5	6-13	29	41.5	12	25
53112145	32 x 1,5	7-15	36	48.2	15	25
53112155	40 x 1,5	15-23	45	53.5	15	10
53112165	50 x 1,5	22-29	54	57.0	15	5

SKINTOP® metric plastic cable glands • SKINTOP® bending protection



SKINTOP® BS-M

Spiral strain relief cable gland



Benefits

- Reliable bending and anti-kink protection
- Cable conservation
- Functional reliability
- To protect flexible cables

Application range

- Cables for electrical appliances and machinery that are moved under normal use must be protected against excessive bending as required in accordance with VDE 0700-1
- Handheld device
- Robotics industry
- Light and sound applications
- Moving machine parts

Norm references / Approvals

- UL File Nr. E79903

Product Make-up

- Metric connection thread acc. to DIN EN 60423

- Basis for technical information EN 50262

Note

- Refer to SKINTOP® metric accessories for suitable accessories
- Counter nut to be used: SKINTOP® GMP-GL-M (See page 79)
- Version with reducing insert to seal smaller cable cross-sections SKINTOP® BSR-M on request
- SKINTOP® BS M ISO versions with extra-long connection on request

Technical data

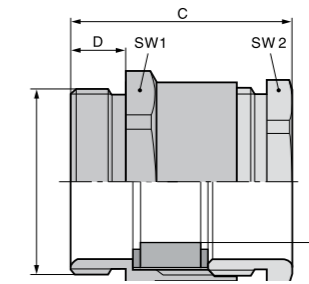
	Classification ETIM 5.0 Class-ID: EC000441 ETIM 5.0 Class-Description: Cable screw gland
	Caution Call to request appendix T21 for the installation dimensions and torques
	On request with reducing sealing ring
	Colour delivered Silver grey (RAL 7001) Light grey (RAL 7035) Black (RAL 9005), UV-resistant
	Material Body: Polyamide Seal: CR
	Protection rating IP 68 - 5 bar
	Temperature range -20°C to +100°C



SKINDICHT® metric plastic or metal cable glands • SKINDICHT® flat cable glands



SKINDICHT® SVF-M



Technical data

	Classification ETIM 5.0 Class-ID: EC000441 ETIM 5.0 Class-Description: Cable screw gland
	Caution Call to request appendix T21 for installation dimensions and torques
	Material Body: nickel-plated brass Seal: CR
	Protection rating IP 54
	Temperature range -30°C to +100°C

Benefits

- Lateral sealing lips fit automatically around various cable dimensions
- Cable-specific seal dimensions are no longer necessary
- Large opening allows clamping of up to two flat cables
- Optimum strain relief
- Tolerance

Application range

- For inserting flat cables
- Control cabinet manufacturing
- Conveyor systems
- Pumps

- Lifts

Product Make-up

- Metric connection thread acc. to DIN EN 60423
- Basis for technical information EN 50262

Note

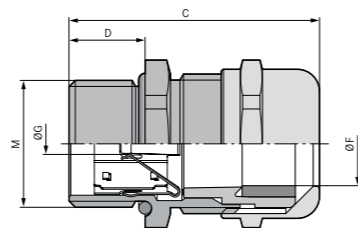
- For suitable flat cables, refer to ÖLFLEX® LIFT F for indoor applications® (See page 57) or ÖLFLEX® CRANE F for outdoor applications (See page 59)
- Counter nut to be used: SKINDICHT® SM-M

Article number	Article designation / size	Clamping range ØF (mm)	SW wrench size mm	Overall length, C (mm)	Thread length, D (mm)	Pieces / PU
SKINTOP® BS-M silver grey						
53111600	BS-M 12x1,5	3,5-7	15	64.0	8	100
53111610	BS-M 16x1,5	4,5-10	19	86.0	8	100
53111620	BS-M 20x1,5	7-13	25	101.0	8	50
53111630	BS-M 25x1,5	9-17	30	125.0	9	25
53111640	BS-M 32x1,5	11-21	36	149.0	10	25
SKINTOP® BS-M black						
53111700	BS-M 12x1,5	3,5-7	15	64.0	8	100
53111710	BS-M 16x1,5	4,5-10	19	86.0	8	100
53111720	BS-M 20x1,5	7-13	25	101.0	8	50
53111730	BS-M 25x1,5	9-17	30	125.0	9	25
53111740	BS-M 32x1,5	11-21	36	149.0	10	25
SKINTOP® BS-M light grey						
53111800	BS-M 12x1,5	3,5-7	15	64.0	8	100
53111810	BS-M 16x1,5	4,5-10	19	86.0	8	100
53111820	BS-M 20x1,5	7-13	25	101.0	8	50
53111830	BS-M 25x1,5	9-17	30	125.0	9	25
53111840	BS-M 32x1,5	11-21	36	149.0	10	25
SKINTOP® BS M ISO silver-grey (with long metric connecting thread)						
53017610	BS M 16 x 1,5 ISO	3,5-8	19	77.5	12	100
53017630	BS M 20 x 1,5 ISO	5-12	24	102.0	13	50
53017640	BS M 25 x 1,5 ISO	9-14	27	114.5	13	50
SKINTOP® BS M ISO black (with long metric connecting thread)						
53017810	BS M 16 x 1,5 ISO	3,5-8	19	77.5	12	100
53017830	BS M 20 x 1,5 ISO	5-12	24	102.0	13	50
53017840	BS M 25 x 1,5 ISO	9-14	27	114.5	13	50

Article number	Article designation / size	Min./max. flat cable width	Min./max. cable thickness (mm)	Pieces / PU
SKINDICHT® SVF-M				
52107320	M 20/16	- / 15.0	- / 5	25
52107340	M 25/21	9.0 / 20.0	3 / 8	25
52107350	M 32/29	14.0 / 27.0	4 / 11	10
52107360	M 40/36	24.0 / 34.0	4 / 11	10
52107370	M 50/42	29.0 / 44.0	5 / 12	5
52107380	M 63/48	34.0 / 50.0	5 / 12	5



SKINTOP® MS-SC-M/ SKINTOP® MS-SC-M-XL



Benefits

- Suitable for cables with and without inner sheath
- Also suitable for continuing the cable screen to another connection
- Low-resistance screen contact, optimum EMC protection
- Highly conductive, flexible EMC contact for clamping various screen diameters
- Few operation steps, easy to assemble

Application range

- For EMC-compliant earthing of the copper braiding, or for cables with copper shaft sheath
- Telecommunication
- Industrial machinery and plant engineering
- Measurement and control technology
- Automation technology

Norm references / Approvals

- UL File Nr. E79903

Product Make-up

- Metric connection thread acc. to DIN EN 60423
- Basis for technical information EN 50262

Note

- SKINDICHT® SM-PE-M counter nut should be used to ensure optimum contact with painted, anodised or powder-coated housings
- Refer to SKINTOP® metric accessories for suitable accessories
- As an alternative for thick-walled housings, we recommend SKINTOP® MS-SC-M-XL with long connection thread in the sizes M16 to M50

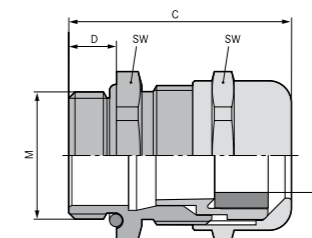
Technical data

- Classification**
ETIM 5.0 Class-ID: EC000441
ETIM 5.0 Class-Description: Cable screw gland
- Caution**
Call to request appendix T21 for installation dimensions and torques
- Material**
Body: nickel-plated brass
Insert: polyamide
Sealing ring: CR
O-ring: NBR
- Protection rating**
IP 68 - 10 bar
- Temperature range**
dynamic -25°C up to + 100°C
static -40°C up to +100°C

Article number	Article designation / size	Outer Ø (mm), from - to	Minimum Ø above braiding (mm)	SW wrench size mm	Thread length, D (mm)	Pieces / PU
SKINTOP® MS-SC-M						
53112610	12 x 1,5	3.5 - 7.0	2	16	6.5	50
53112620	16 x 1,5	4.5 - 9.0	4	20	7	50
53112630	20 x 1,5	7.0 - 12.5	5	24	8	25
53112640	25 x 1,5	9.0 - 16.5	7.5	29	8	25
53112650	32 x 1,5	11.0 - 21.0	9	36	9	25
53112660	40 x 1,5	19.0 - 28.0	15	45	9	10
53112670	50 x 1,5	27.0 - 35.0	21	54	10	5
SKINTOP® MS-SC-M-XL						
53112625	16 x 1,5	4.5 - 9.0	4	20	12	50
53112635	20 x 1,5	7.0 - 12.5	5	24	12	25
53112645	25 x 1,5	9.0 - 16.5	7.5	29	12	25
53112655	32 x 1,5	11.0 - 21.0	9	36	15	25
53112665	40 x 1,5	19.0 - 28.0	15	45	15	10
53112675	50 x 1,5	27.0 - 35.0	21	54	15	5



SKINTOP® MS-M BRUSH



Info

- SKINTOP® MS-M BRUSH sizes 75 x 1.5 to 110 x 2 with innovative double lamella gasket for easier assembling of cables with large diameters.

Technical data

- Classification**
ETIM 5.0 Class-ID: EC000441
ETIM 5.0 Class-Description: Cable screw gland
- Caution**
Call to request Appendix T21 for the installation dimensions and torques
- Certifications**
VDE, UL, CSA, DNV approval for size M90 x 2 and 110 x 2 pending SKINTOP® MSR-M BRUSH 25 x 1,5 approvals pending
- Material**
Body: nickel-plated brass
EMC brush: brass
Sealing ring: special elastomer
O-ring: special elastomer
- Protection rating**
IP 68 - 10 bar (M12 - M50)
IP 68 - 5 bar (M63)
IP 68 - 1 bar (M63 plus - M75)
IP 69 (M12 - M63)
- Temperature range**
Dynamic -25°C up to + 100°C
Fixed: -40°C to +100°C

Benefits

- Faster, easier screen contact
- Optimum, low-resistance 360° screen contact
- Faster than any other comparable system
- Uncomplicated and reliable
- Maximum assembly freedom during adjustment

Application range

- For EMC-compliant earthing of the copper braiding, or for cables with copper shaft sheath
- Automation systems
- High-power drives
- Frequency converters
- Conveyor and transport systems

Norm references / Approvals

- UL File Nr. E79903

Product Make-up

- Metric connection thread acc. to DIN EN 60423
- Basis for technical information EN 50262

Note

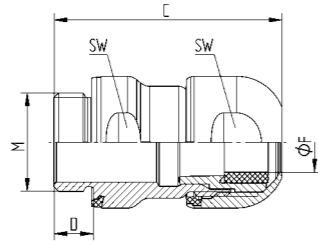
- SKINDICHT® SM-PE-M counter nut should be used to ensure optimum contact with painted, anodised or powder-coated housings.

Article number	Article designation / size	Outer Ø (mm), from - to	Minimum Ø above braiding (mm)	SW wrench size mm	Thread length, D (mm)	Pieces / PU
SKINTOP® MS-M BRUSH						
53112676	25 x 1,5	9.0 - 17.0	6	29	8	10
53112677	32 x 1,5	11.0 - 21.0	8	36	9	5
53112678	40 x 1,5	19.0 - 28.0	10	45	9	5
53112679	50 x 1,5	27.0 - 35.0	14	54	10	5
53112680	63 x 1,5	34.0 - 45.0	20	67	15	1
53112681	63 x 1,5 plus	44.0 - 55.0	25	75	15	1
53112501	75 x 1,5	53.0 - 63.0	35	95	15	1
53112500	75 x 1,5 plus	58.0 - 68.0	35	95	15	1
53112503	90 x 2	66.0 - 78.0	45	115	20	1
53112505	110 x 2	76.0 - 88.0	55	135	25	1
53112504	110 x 2 plus	86.0 - 98.0	55	135	25	1



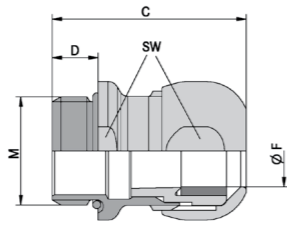
SKINTOP® HYGIENIC / SKINTOP® HYGIENIC-R

- Info**
- Ideal for hygienic critical areas - resistant, edge-free, robust and reliable
 - No gaps, voids or outer lying thread - so no risk of contamination of food machines, facilities or components.



Article number	Article designation / size	Clamping range ØF (mm)	Thread length, D (mm)	SW wrench size mm	Overall length, C (mm)	Thread length, D (mm)	Pieces / PU
SKINTOP® HYGIENIC							
53105100	M 12 x 1,5	4-6	6,5	16	39,9	6,5	5
53105110	M 16 x 1,5	6,5-9	7	20	43,4	7	5
53105120	M 20 x 1,5	9-12	8	24	46,4	8	5
53105130	M 25 x 1,5	11,5-15,5	8	29	48,9	8	5
SKINTOP® HYGIENIC-R							
53105200	M 12 x 1,5	2-4,5	6,5	16	39,9	6,5	5
53105210	M 16 x 1,5	4,5-7	7	20	43,4	7	5
53105220	M 20 x 1,5	7-10	8	24	46,4	8	5
53105230	M 25 x 1,5	9-12,5	8	29	48,9	8	5

SKINTOP® INOX / SKINTOP® INOX-R



- Info**
- Stainless steel version with compact design
 - For use in the **splash zone** in the food production

- Benefits**
- Corrosion-resistant
 - Sea water-resistant
 - Smooth surfaces - no edges
 - Compact design
 - Wide, variable clamping ranges
- Application range**
- Onshore and offshore applications
 - Bottling plants and breweries
 - Food industry (product-free zone, splash zone)
- Norm references / Approvals**
- **ECOLAB®**
Industry standard in the field of professional cleaning and disinfection
- Product Make-up**
- Metric connection thread acc. to DIN EN 60423
 - Basis for technical information EN 50262
- Note**
- Size M 40x1,5 available on request

Technical data

Classification
ETIM 5.0 Class-ID: EC000441
ETIM 5.0 Class-Description: Cable screw gland

Material
Body: Stainless steel - V4A (1.4404 / 316L)
Insert: Polyamide
Sealing ring: Silicone
O-Ring: Silicone

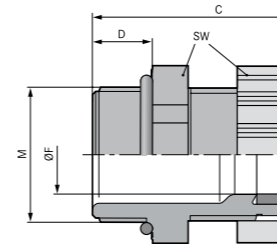
Protection rating
IP 68 - 10 bar (M12 - M20)
IP 68 - 5 bar (M25 - M32)
IP 69

Temperature range
-40°C to +100°C

Article number	Article designation / size	Clamping range ØF (mm)	Thread length, D (mm)	SW wrench size mm	Overall length, C (mm)	Pieces / PU
SKINTOP® INOX						
53806739	12x1,5	4-7	6,5	16	29,3	5
53806740	16x1,5	6-10	7	20	32,4	5
53806741	20x1,5	7-13	8	24	35,8	5
53806742	25x1,5	9-17	8	29	37,8	5
53806743	32x1,5	11-21	9	36	43,3	5
SKINTOP® INOX-R						
53806749	12x1,5	3-5	6,5	16	29,3	5
53806750	16x1,5	5-7	7	20	32,4	5
53806751	20x1,5	5-10	8	24	35,8	5
53806752	25x1,5	7-13	8	29	37,8	5
53806753	32x1,5	7-15	9	36	43,3	5



SKINTOP® K-M ATEX plus / SKINTOP® KR-M ATEX plus



SKINTOP® KR-M ATEX plus SKINTOP® K-M ATEX plus

Technical data

Classification
ETIM 5.0 Class-ID: EC000441
ETIM 5.0 Class-Description: Cable screw gland

Caution
Refer to the instruction leaflet for the installation dimensions and torques

Certifications
CE 0637 Ex II 2G
Ex eb IIC Ex II 1D
Ex ta IIIC
IECEX IBE 13.0027X

Colour delivered
RAL 9005 black/UV-resistant

Material
Body: special polyamide
Seal: special elastomer
O-ring: CR

Tests
DIN EN 60079-0
DIN EN 60079-7
DIN EN 60079-31

Protection rating
IP 68 - 10 bar

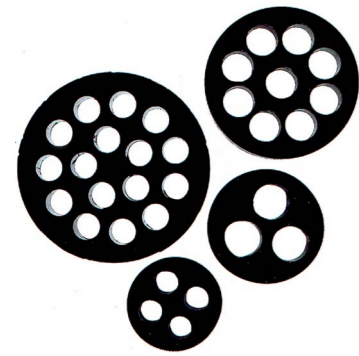
Temperature range
-20°C to +80°C

- Benefits**
- SKINTOP® K-M ATEX plus**
- High degree of protection
 - Cold impact resistance
 - High strain relief
 - Wide, variable clamping ranges
 - Permanent vibration protection
- SKINTOP® KR-M ATEX plus**
- Chemical and petrochemical industry
 - With reducing seal insert, to seal cables with smaller outer diameters.
- Product Make-up**
- Metric connection thread acc. to DIN EN 60423
 - Basis for technical information EN 50262
- Application range**
- SKINTOP® K-M ATEX plus**
- Devices, machines and apparatus of enhanced safety protection type "e"
 - Equipment group II / Category 2G+1D
 - For mobile applications in offshore and marine industries

Article number	Article designation / size	Clamping range ØF (mm)	Thread M	SW wrench size mm	Overall length, C (mm)	Thread length, D (mm)	Pieces / PU
SKINTOP® K-M ATEX plus							
54115200	K-M 12 ATEX plus	3-5,5	12 x 1,5	15	26,5 - 30,0	8	50
54115210	K-M 16 ATEX plus	7-9	16 x 1,5	19	29,0 - 34,0	8	50
54115220	K-M 20 ATEX plus	7-13	20 x 1,5	25	34,0 - 37,0	9	50
54115230	K-M 25 ATEX plus	11-17	25 x 1,5	30	35,0 - 40,0	10	25
54115240	K-M 32 ATEX plus	12-21	32 x 1,5	36	39,0 - 47,0	10	25
54115250	K-M 40 ATEX plus	19-28	40 x 1,5	46	43,0 - 52,0	10	10
54115260	K-M 50 ATEX plus	27-35	50 x 1,5	55	54,0 - 62,0	12	5
54115270	K-M 63 ATEX plus	36-45	63 x 1,5	66	59,0 - 71,0	12	5
SKINTOP® KR-M ATEX plus							
54115205	KR-M 12 ATEX plus	2-4	12 x 1,5	15	26,5 - 30,0	8	50
54115215	KR-M 16 ATEX plus	4-6	16 x 1,5	19	29,0 - 34,0	8	50
54115225	KR-M 20 ATEX plus	5-10	20 x 1,5	25	34,0 - 37,0	9	50
54115235	KR-M 25 ATEX plus	6-13	25 x 1,5	30	35,0 - 40,0	10	25
54115245	KR-M 32 ATEX plus	9-15	32 x 1,5	36	39,0 - 47,0	10	25
54115255	KR-M 40 ATEX plus	16-23	40 x 1,5	46	43,0 - 52,0	10	10
54115265	KR-M 50 ATEX plus	22-29	50 x 1,5	55	54,0 - 62,0	12	5
54115275	KR-M 63 ATEX plus	29-39	63 x 1,5	66	59,0 - 71,0	12	5



SKINTOP® DIX-M



Benefits

- Easy insertion of several cables into one gland
- Higher packing density allows smaller part construction

Application range

- For use in SKINTOP® cable glands.
- A sealing ring with several holes is used in place of the inner sealing insert.

Note

- IP 68 can be achieved when all openings are closed and all bores are optimally occupied, i.e. when using cables with nominal diameter and/or SKINTOP® DIX-DV sealing plugs

Product Make-up

- SKINTOP® DIX-M VITON® is resistant to oil, water, alkaline solutions, acids, solvents etc.



Technical data

Classification
ETIM 5.0 Class-ID: EC000032
ETIM 5.0 Class-Description:
Plug for cable screw gland

On request
Special shapes

Colour delivered
Black, RAL 9005

Material
NBR
VITON®

Protection rating
IP 54

Temperature range
-40°C to +100°C



SKINDICHT® ZS-M



Technical data

Classification
ETIM 5.0 Class-ID: EC000441
ETIM 5.0 Class-Description:
Cable screw gland

Material
Nickel-plated brass

Benefits

- Enables the use of PG accessories in metric threads
- Assembling with a wrench

Application range

- Hexagonal converter from a metric outer thread to a PG inner thread.
- Machines
- Devices
- Housings

Product Make-up

- Metric connection thread acc. to DIN EN 60423
- Basis for technical information EN 50262

Note

- SKINDICHT® ZS-M-XL offers a long metric connection thread on request

Article number	Article designation / size	Size M	Number of cables x cable Ø	Pieces / PU
SKINTOP® DIX-M				
53316220	16220	M 16	2 x 2.0	100
53316230	16230	M 16	2 x 3.0	100
53316240	16240	M 16	2 x 4.0	100
53316420	16420	M 16	4 x 2.0	100
53320250	20250	M 20	2 x 5.0	100
53320260	20260	M 20	2 x 6.0	100
53320340	20340	M 20	3 x 4.0	100
53320353	20353	M 20	3 x 5.3	100
53320440	20440	M 20	4 x 4.0	100
53320920	20920	M 20	9 x 2.0	100
53320430	20430	M 20	4 x 3.0	100
53325260	25260	M 25	2 x 6.0	50
53325250	25250	M 25	2 x 5.0	50
53325350	25350	M 25	3 x 5.0	50
53325360	25360	M 25	3 x 6.0	50
53325370	25370	M 25	3 x 7.0	50
53325450	25450	M 25	4 x 5.0	50
53325540	25540	M 25	5 x 4.0	50
53325640	25640	M 25	6 x 4.0	50
53332270	32270	M 32	2 x 7.0	50
53332280	32280	M 32	2 x 8.0	50
53332290	32290	M 32	2 x 9.0	50
53332370	32370	M 32	3 x 7.0	50
53332380	32380	M 32	3 x 8.0	50
53332460	32460	M 32	4 x 6.0	50
53332470	32470	M 32	4 x 7.0	50
53332560	32560	M 32	5 x 6.0	50
53332650	32650	M 32	6 x 5.0	50
53332840	32840	M 32	8 x 4.0	50
53332850	32850	M 32	8 x 5.0	50
53332940	32940	M 32	9 x 4.0	50
53340290	40290	M 40	2 x 9.0	25
53340310	40310	M 40	3 x 10.0	25
53340480	40480	M 40	4 x 8.0	25
53340490	40490	M 40	4 x 9.0	25
53340580	40580	M 40	5 x 8.0	25
53340590	40590	M 40	5 x 9.0	25
53340670	40670	M 40	6 x 7.0	25
53340860	40860	M 40	8 x 6.0	25
53340969	40969	M 40	9 x 6.9	25
53350118	50118	M 50	11 x 8.0	10
53350680	50680	M 50	6 x 8.0	10
53350780	50780	M 50	7 x 8.0	10
53350870	50870	M 50	8 x 7.0	10
53350147	50147	M 50	14 x 7.0	10
53350164	50164	M 50	16 x 4.0	10
53350166	50166	M 50	16 x 6.0	10
SKINTOP® DIX-M VITON®				
53420250	20250	M 20	2 x 5.0	100
53420260	20260	M 20	2 x 6.0	100
53440969	40969	M 40	9 x 6.9	25

Article number	Thread, male M 1	Thread, female PG/NPT	SW wrench size mm	Outer thread length (mm)	Pieces / PU
SKINDICHT® ZS-M					
52104330	12 x 1.5	7	14	5	100
52104340	16 x 1.5	9	18	5	100
52104010	16 x 1.5	11	20	5	100
52104360	20 x 1.5	11	22	6	100
52104370	20 x 1.5	13.5	22	6	100
52104380	20 x 1.5	16	24	6	50
52104400	25 x 1.5	21	30	7	50
52104410	32 x 1.5	29	40	8	25
52104420	40 x 1.5	36	50	8	10
52104430	50 x 1.5	42	57	9	10
52104440	63 x 1.5	48	66	10	10
SKINDICHT® ZS-M-XL					
52104335	12 x 1.5	7	14	10	100
52104345	16 x 1.5	9	18	10	100
52104365	20 x 1.5	11	22	10	100
52104375	20 x 1.5	13.5	22	10	100
52104385	20 x 1.5	16	24	10	50
52104405	25 x 1.5	21	30	11	50
52104415	32 x 1.5	29	40	13	25
52104425	40 x 1.5	36	50	13	10
52104435	50 x 1.5	42	57	14	10
52104445	63 x 1.5	48	66	14	10



SKINDICHT® MR-M
Reducers



Benefits

- Enables the use of cable glands with smaller connection threads than the existing threaded holes

Application range

- Machines
- Devices
- Housings

Product Make-up

- Metric connection thread acc. to DIN EN 60423
- Basis for technical information EN 50262

Note

- Drawing on request

Technical data

- Classification**
ETIM 5.0 Class-ID: EC000441
ETIM 5.0 Class-Description:
Cable screw gland
- On request**
Also available with pre-installed O-ring
- Material**
Nickel-plated brass
- Temperature range**
-60°C to +200°C



Article number	Thread, male M1	Thread, female M2	Overall length, C (mm)	Thread length, D (mm)	Outer Ø (mm)	Pieces / PU
SKINDICHT® MR-M						
52104310	16 x 1.5	12 x 1.5				100
52104311	20 x 1.5	12 x 1.5				100
52104312	20 x 1.5	16 x 1.5				100
52104313	25 x 1.5	16 x 1.5				50
52104314	25 x 1.5	20 x 1.5				50
52104315	32 x 1.5	20 x 1.5				50
52104316	32 x 1.5	25 x 1.5				50
52104317	40 x 1.5	25 x 1.5				25
52104318	40 x 1.5	32 x 1.5				25
52104319	50 x 1.5	32 x 1.5				25
52104320	50 x 1.5	40 x 1.5				10
52104321	63 x 1.5	40 x 1.5				10
52104322	63 x 1.5	50 x 1.5				10

SKINDICHT® ME-M
Enlargers



Benefits

- Enables the use of cable glands with larger connection threads than the existing threaded holes

Application range

- Machines
- Devices
- Housings

Product Make-up

- Metric connection thread acc. to DIN EN 60423
- Basis for technical information EN 50262

Technical data

- Classification**
ETIM 5.0 Class-ID: EC000441
ETIM 5.0 Class-Description:
Cable screw gland
- On request**
with O-ring fitted
- Material**
Nickel-plated brass
- Temperature range**
-60°C to +200°C

Article number	Thread, male M1	Thread, female M2	Pieces / PU
SKINDICHT® ME-M			
52104450	12 x 1.5	16 x 1.5	100
52104452	16 x 1.5	20 x 1.5	100
52104454	20 x 1.5	25 x 1.5	100
52104456	25 x 1.5	32 x 1.5	50
52104458	32 x 1.5	40 x 1.5	50
52104460	40 x 1.5	50 x 1.5	25
52104462	50 x 1.5	63 x 1.5	25
SKINDICHT® ME-M hexagon			
52104463	63 x 1.5	75 x 1.5	1



Technical data

- Classification**
ETIM 5.0 Class-ID: EC000441
ETIM 5.0 Class-Description:
Cable screw gland
- On request**
Available without collar (without surface for assembling tool)
- Colour delivered**
Silver grey (RAL 7001)
Light grey (RAL 7035)
Black (RAL 9005), UV-resistant
- Material**
Polyamide, glass fibre-reinforced
- Temperature range**
Fixed: -40°C to +100°C
Dynamic: -20°C to +100°C



Benefits

- Glass fibre-reinforced for maximum mechanical stability
- Supporting surface for spanner means scratches on the housing are avoided

Application range

- For locking SKINTOP® cable glands in boreholes without thread.

Norm references / Approvals

- UL File Nr. E79903

Product Make-up

- Metric connection thread acc. to DIN EN 60423
- Basis for technical information EN 50262

Note

- UL approval only when used with the UL-approved SKINTOP® polyamide cable glands
- Designed for use with metric SKINTOP® plastic cable glands

Article number	Article designation / size	SW wrench size mm	Pieces / PU
SKINTOP® GMP-GL-M silver grey			
53119000	12 x 1,5	17	100
53119010	16 x 1,5	22	100
53119020	20 x 1,5	27	100
53119030	25 x 1,5	34	100
53119040	32 x 1,5	41	100
53119050	40 x 1,5	50	25
53119060	50 x 1,5	60	25
53119070	63 x 1,5	75	25
SKINTOP® GMP-GL-M black			
53119100	12 x 1,5	17	100
53119110	16 x 1,5	22	100
53119120	20 x 1,5	27	100
53119130	25 x 1,5	34	100
53119140	32 x 1,5	41	100
53119150	40 x 1,5	50	25
53119160	50 x 1,5	60	25
53119170	63 x 1,5	75	25
SKINTOP® GMP-GL-M light grey			
53119003	12 x 1,5	17	100
53119013	16 x 1,5	22	100
53119023	20 x 1,5	27	100
53119033	25 x 1,5	34	100
53119043	32 x 1,5	41	100
53119053	40 x 1,5	50	25
53119063	50 x 1,5	60	25
53119073	63 x 1,5	75	25



SKINDICHT® SM-M



Application range

- Used when a gland has to be countered, or in through-holes on thin-walled housings

Product Make-up

- Metric connection thread acc. to DIN EN 60423
- Basis for technical information EN 50262

Technical data

- Classification**
ETIM 5.0 Class-ID: EC000940
ETIM 5.0 Class-Description:
Locknut for cable screw gland
- Material**
Nickel-plated brass
- Temperature range**
-20°C to +100°C

Article number	Article designation / size	Thickness (mm)	SW wrench size mm	Outer Ø (mm)	Pieces / PU
SKINDICHT® SM-M					
52103000	12 x 1,5	3.0	15	16.5	100
52103010	16 x 1,5	3.0	19	20.9	100
52103020	20 x 1,5	3.5	24	26.4	100
52103030	25 x 1,5	4.0	30	33.0	100
52103040	32 x 1,5	4.0	36	39.6	100
52103050	40 x 1,5	5.0	46	50.6	50
52103060	50 x 1,5	5.0	60	65.0	50
52103070	63 x 1,5	5.0	70	77.0	25
52103071	75 x 1,5	8.0	85	95.0	5
52103072	90 x 2	10.0	102	114.0	1
52103073	110 x 2	12.0	124	135.0	1

SKINDICHT® SM-PE-M



Benefits

- Cutting edges cut through the insulating layer, thus guaranteeing an optimum EMC contact
- Suitable for all metric glands used in earthing and EMC applications

Application range

- For lacquered, anodised or powder-coated housings.

Product Make-up

- Metric connection thread acc. to DIN EN 60423
- Basis for technical information EN 50262

Technical data

- Classification**
ETIM 5.0 Class-ID: EC000940
ETIM 5.0 Class-Description:
Locknut for cable screw gland
- Material**
Nickel-plated brass
- Temperature range**
-20°C to +100°C

Article number	Article designation / size	Thickness (mm)	SW wrench size mm	Outer Ø (mm)	Pieces / PU
SKINDICHT® SM-PE-M					
52103300	12 x 1,5	3.5	15	16.5	100
52103310	16 x 1,5	3.5	19	20.9	100
52103320	20 x 1,5	3.7	24	26.4	100
52103330	25 x 1,5	4.2	30	33.0	50
52103340	32 x 1,5	4.7	36	39.6	50
52103350	40 x 1,5	5.5	46	50.6	25
52103360	50 x 1,5	5.5	60	66.0	10
52103370	63 x 1,5	7.0	70	77.0	10
52103371	75 x 1,5	8.0	85	95.0	5
52103372	90 x 2	10.0	102	114.0	1
52103373	110 x 2	12.0	124	135.0	1



SKINDICHT® BLK-M / SKINDICHT® BLK-GL-M



Technical data

- Classification**
ETIM 5.0 Class-ID: EC000032
ETIM 5.0 Class-Description:
Plug for cable screw gland
- On request**
SKINDICHT® BLK-M
BLK-M with O-ring,
black RAL 9005
- Colour delivered**
SKINDICHT® BLK-M
Light grey (RAL 7035)
SKINDICHT® BLK-GL-M
Silver grey (RAL 7001)
Light grey (RAL 7035)
Black (RAL 9005)
- Material**
SKINDICHT® BLK-M
Fire behaviour according to UL 94 HB
Impact-resistant polystyrene
SKINDICHT® BLK-GL-M
Fire behaviour according to UL 94 HB
Polyamide, glass fibre-reinforced
- Protection rating**
IP 54
IP 68 (with O-Ring)
- Temperature range**
SKINDICHT® BLK-M
-25°C to +60°C
SKINDICHT® BLK-GL-M
-40°C to +100°C

Benefits

- SKINDICHT® BLK-M**
 - For closing pre-threaded holes
 - Cost-effective solution
- SKINDICHT® BLK-GL-M**
 - For closing pre-threaded holes
 - High stability due to glass fibre reinforcement

Application range

- Control cabinet manufacturing
- Distribution box
- Junction boxes

Product Make-up

- Metric connection thread acc. to DIN EN 60423
- Basis for technical information EN 50262

Note

- **SKINDICHT® BLK-M**
Drawing on request

Article number	Article designation / size	Thread length, D (mm)	Pieces / PU
SKINDICHT® BLK-GL-M black			
52006103	12 x 1,5	6	100
52006113	16 x 1,5	6	100
52006123	20 x 1,5	6	100
52006133	25 x 1,5	8	100
52006143	32 x 1,5	8	50
52006153	40 x 1,5	8	25
52006163	50 x 1,5	10	25
52006173	63 x 1,5	12	25
SKINDICHT® BLK-GL-M black mounted with O-ring			
52006106	12 x 1,5	6	100
52006116	16 x 1,5	6	100
52006126	20 x 1,5	6	100
52006136	25 x 1,5	8	100
52006146	32 x 1,5	8	50
52006156	40 x 1,5	8	25
52006166	50 x 1,5	10	25
52006176	63 x 1,5	12	25



SKINDICHT® BL-M



Benefits

- For closing pre-threaded holes
- Assembling with screwdriver

Application range

- Machine and equipment manufacturing
- Electric motor manufacturing

Product Make-up

- Metric connection thread acc. to DIN EN 60423
- Basis for technical information EN 50262

Note

- Drawing on request

Technical data

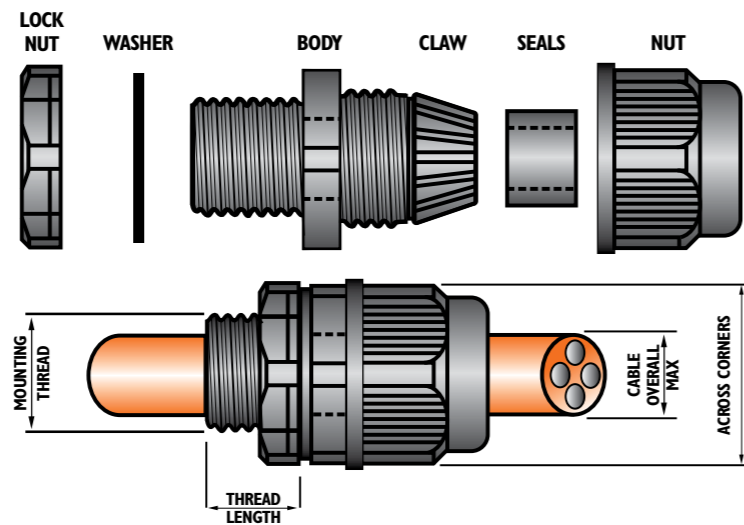
	Classification ETIM 5.0 Class-ID: EC000032 ETIM 5.0 Class-Description: Plug for cable screw gland
	On request Fitted with FKM O-ring
	Material Body: nickel-plated brass Sea water-resistant
	Protection rating IP 54 IP 68 (with O-Ring)
	Temperature range With O-ring: -30°C to +100°C Without O-ring: -60°C to +200°C

Article number	Article designation / size	Outer Ø (mm)	Pieces / PU
SKINDICHT® BL-M			
52103100	12 x 1,5	14.0	100
52103110	16 x 1,5	18.0	100
52103120	20 x 1,5	22.0	100
52103130	25 x 1,5	28.0	100
52103140	32 x 1,5	35.0	50
52103150	40 x 1,5	44.0	25
52103160	50 x 1,5	54.0	10
52103170	63 x 1,5	70.0	10
SKINDICHT® BL-M with O-ring			
52103105	12 x 1,5	14.0	100
52103115	16 x 1,5	18.0	100
52103125	20 x 1,5	22.0	100
52103135	25 x 1,5	28.0	100
52103145	32 x 1,5	35.0	50
52103155	40 x 1,5	44.0	25
52103165	50 x 1,5	54.0	10
52103175	63 x 1,5	70.0	10
52103190	75 x 1,5	80.0	1

	Automation		Low weight
	Food & Beverage		Oil resistant
	Mechanical & Plant Engineering		Optimum strain relief
	Oil & Gas		Space requirement
	Solar Energy		Power chain
	Suitable for Outdoor		Robust
	Good chemical resistance		Acid resistant
	Flame retardant		Reliability
	Wide clamping range		Voltage
	Halogen-free		Interference signals
	Cold-resistant		Temperature resistant
	Corrosion-resistant		Torsion resistant
	Maximum vibration protection		UV resistant
	Mechanical resistance		Waterproof
	Assembly time		Variety of approval certifications

TA Cable Gland

Treotham Nylon Cable Glands are quick & easy to install with a high quality gripping claw/seal arrangement that caters for a wide range of cable sizes per fitting. Each gland has no loose parts and requires no disassembly for cable installation.



Applications

Indoor and outdoor use

Standards

AS1939 – 1990

Function

Provides seal on cable sheath

Protection Class

IP68, Resistant to salt water, weak alcohol, oil, grease and common solvents

Construction

Body - UL approved Nylon 66 (Black) Seal - EPDM Rubber

Thread Type

Metric with locknut and IP68 washer



Part Number	Mounting Thread		Cable Acceptance Details Overall Diameter		Across Corners (mm)	Pack Quantity
	Size (mm)	Length (mm)	Min. (mm)	Max. (mm)		
TA-12	M12 x 1.5	15	4	8	18	50
TA-16	M16 x 1.5	15	5	10	22	50
TA-20	M20 x 1.5	15	9	14	27	50
TA-25	M25 x 1.5	15	13	18	33	50
TA-32	M32 x 1.5	15	18	25	41	20
TA-40	M40 x 1.5	15	24	32	50	10
TA-50	M50 x 1.5	15	30	41	62	10
TA-63	M63 x 1.5	18	35	46	75	10

KLIKSEAL

Product Features TKS KLIKSEAL®

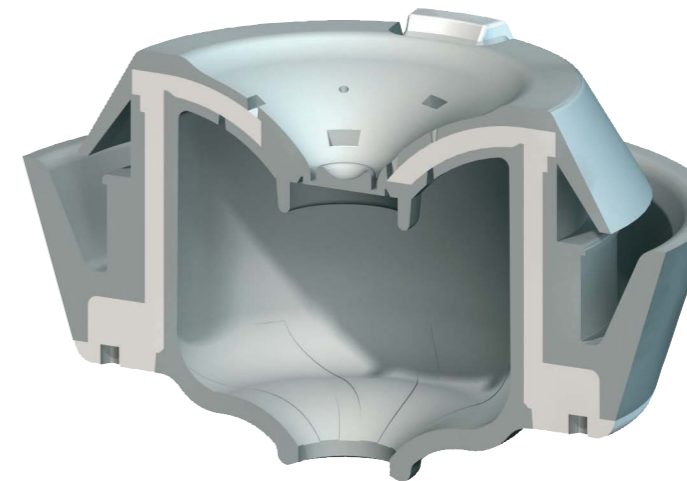
Height of only 17- 20mm, 5.5 - 5.7mm on the outside depending on size. Cable glands are approx. 30 - 40mm

Handles a large range of cable and pipe diameters

Installation time saving of up to 90%

Self-adjusting to wall thickness

Ergonomic Installation



"Pushout" membrane

Fixed in both directions when mounted

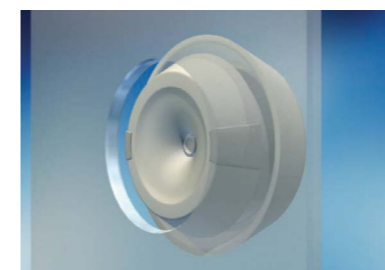
Space saving design

Integrated tension relief

KLIK = No material compression during installation

IP65

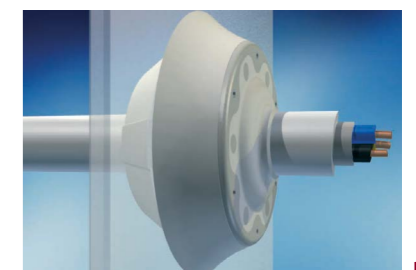
Rubber coated tension relief for protection of the cable mantle



Centre the KLIKSEAL in the opening (from the inside), push evenly with both thumbs until it "klicks" into place

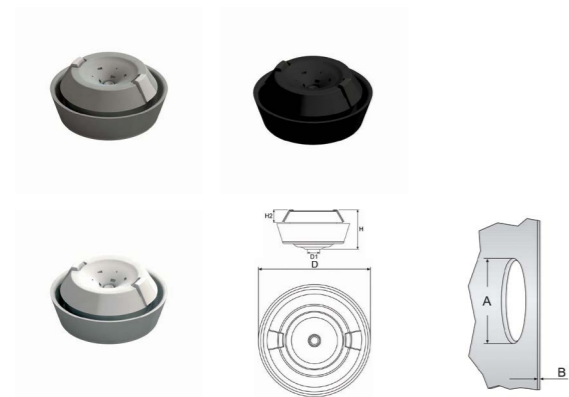


Insert the cable from the side with the polyamide tabs



Note! KLIKSEAL® is installed from the inside.

KLIKSEAL®



Material	TPE and Polyamide 66 - Halogen Free UL approved material Integrated cable anchorage, wide sealing range. Material thickness 1.5 - 5mm Material thickness IP67/65 2-5mm Quick and simple assembly without the use of tools.
Mode of protection	IP65
Temperature range	-20° to +125°C ⁽¹⁾
Test standard	EN60529:1991+ A1 EN50262: 1998 EMKO-TUI (03-SEC) FI001/84
Semko report	606620

*Cable Anchorage Type A, according to EN50262
** 8.1 - 8.9mm only approved for tension relief
(1) Unstressed material

Part No	Size	IP65 and Cable Anchorage Type A* for Cable Ø mm	IP65 for Cable Ø mm	A mm	B for IP67/65 mm	H mm	H2 mm	D1 mm	D*** mm	Pcs pack
---------	------	---	---------------------	------	------------------	------	-------	-------	---------	----------

Light Grey - RAL 7035

TST1475803	M20	7-11	4-11	20.5	2-5	17-20	5.5	4.0	29.3-34.5	50
TST1475804	M25	7-13**	4-13	25.5	2-5	17-20	5.7	5.0	34.3-40.0	50

Black - RAL 9005

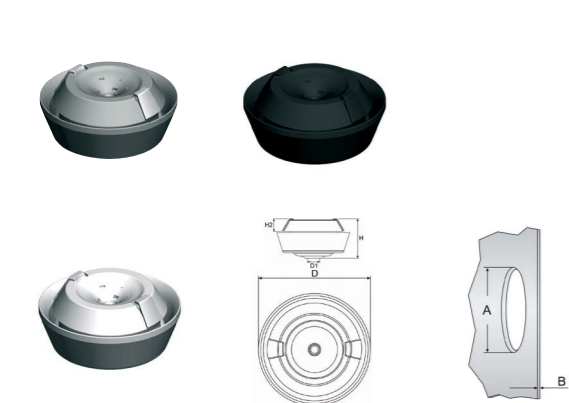
TST1475813	M20	7-11	4-11	20.5	2-5	17-20	5.5	4.0	29.3-34.5	50
TST1475814	M25	7-13**	4-13	25.5	2-5	17-20	5.7	5.0	34.3-40.0	50

White - RAL 9010

TST1475823	M20	7-11	4-11	20.5	2-5	17-20	5.5	4.0	29.3-34.5	50
TST1475824	M25	7-13**	4-13	25.5	2-5	17-20	5.7	5.0	34.3-40.0	50

*** = varies depending on thickness of material installed in.

KLIKSEAL® for thin materials



Material	TPE and Polyamide 66 - Halogen Free UL approved material Integrated cable anchorage, wide sealing range. Material thickness 0.5 - 3mm Material thickness IP67/65 0.5-3mm Quick and simple assembly without the use of tools.
Mode of protection	IP65
Temperature range	-20° to + 125°C ⁽¹⁾
Test standard	EN60529:1991+ A1 EN50262: 1998 EMKO-TUI (03-SEC) FI001/84
Semko report	N/A

*Cable Anchorage Type A, according to EN50262
** 8.1 - 8.9mm only approved for tension relief
(1) Unstressed material

Part No	Size	IP65 and Cable Anchorage Type A* for Cable Ø mm	IP65 for Cable Ø mm	A mm	B for IP67/65 mm	H mm	H2 mm	D1 mm	D*** mm	Pcs pack
---------	------	---	---------------------	------	------------------	------	-------	-------	---------	----------

Light Grey - RAL 7035

TST1475807	M20	7-11	4-11	20.5	0.5-3mm	17-20	5.5	4.0	34.2-37.2	50
TST1475808	M25	7-13**	4-13	25.5	0.9-3mm	17-20	5.7	5.0	39.2-42.2	50

Black - RAL 9005

TST1475817	M20	7-11	4-11	20.5	0.5-3mm	17-20	5.5	4.0	34.2-37.2	50
TST1475818	M25	7-13**	4-13	25.5	0.9-3mm	17-20	5.7	5.0	39.2-42.2	50

White - RAL 9010

TST1475827	M20	7-11	4-11	20.5	0.5-3mm	17-20	5.5	4.0	34.2-37.2	50
TST1475828	M25	7-13**	4-13	25.5	0.9-3mm	17-20	5.7	5.0	39.2-42.2	50

*** = varies depending on thickness of material installed in.

RUTASEAL®

Rutaseal® Rubber Grommets

Rutaseal® is very simple to use and demands no tools, which in turn means lower work cost. It requires no screwdriver or scissors to make the hole, which otherwise would endanger the IP class seal. Rutaseal® is SEMKO tested for IP67 internally and externally. The chloroprene version is also DNV approved. Rutaseal® is produced in EPDM and Chloroprene in both PG and Metric. The seals are produced in black, light grey and grey. Rutaseal® has a very high finish and the automatic method of production guarantees the same even and high quality on all products at all times.



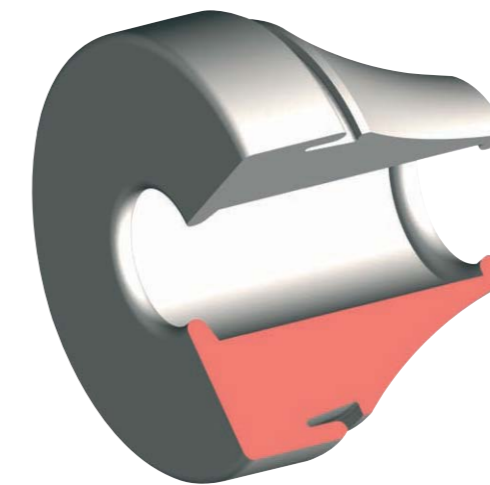
Product features RUTASEAL®

IP Class: IP67 (external)

Both Metric and PG programmes

"Pushout" membrane with 0.25mm thickness

Internal / External holes IP67



Internal / External holes IP67

Produced in halogen-free EPDM or Chloropren

Hardness 60 ± 5 (Shore density)

RUTASEAL can be assembled from either end depending on the application

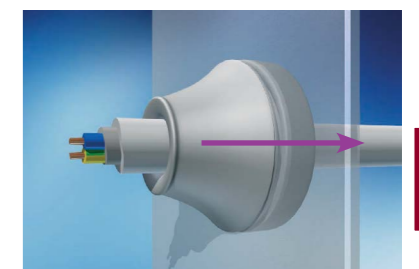
Suits material thickness 0.5 - 4mm both in plastic and metal



Push the grommet into the hole.

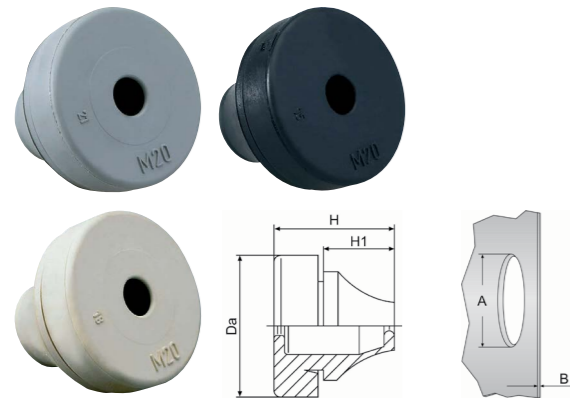


Pierce the grommet with the cable.



The grommet is then locked in position by pulling it back.

RUTASEAL® EPDM Metric



Material	EPDM - Halogen Free Resistant to chemicals and weatherproof
	Suitable for holes in materials of 0.5 - 4mm thickness. Quick and simple assembly without the use of tools.
Mode of protection	IP67 acc. to EN 60529
Temperature range	-40° to + 110°C ⁽¹⁾
Test standard	SEMKO 44:1984
Semko report	0211038/01-07

(1) Unstressed material

Part No	Size	For pipe Ø mm	A mm	B mm	Da mm	H mm	H1 mm	Pcs pack
---------	------	---------------	------	------	-------	------	-------	----------

RAL 7001 - Grey

TST1458233	M12	4 - 7	12.5	0.5 - 2	20	12.8	5.6	50
TST1475834	M16	5 - 9	16.5	1 - 4	21	17.7	11	50
TST1458235	M20	8 - 13	20.5	1 - 4	25.5	20	13.4	50
TST1458236	M25	11 - 17	25.5	1 - 4	30.5	21.3	15.3	50
TST1458237	M32	15 - 20	32.5	1 - 4	38.5	24.6	18.6	25
TST1458238	M40	19 - 28	40.5	1 - 4	48.5	29.5	21.7	25
TST1458239	M50	27 - 35	50.5	1 - 4	60.5	34.8	25	10

Black - RAL 9005

TST1458293	M12	4 - 7	12.5	0.5 - 2	20	12.8	5.6	50
TST1475894	M16	5 - 9	16.5	1 - 4	21	17.7	11	50
TST1458295	M20	8 - 13	20.5	1 - 4	25.5	20	13.4	50
TST1458296	M25	11 - 17	25.5	1 - 4	30.5	21.3	15.3	50
TST1458297	M32	15 - 20	32.5	1 - 4	38.5	24.6	18.6	25
TST1458298	M40	19 - 28	40.5	1 - 4	48.5	29.5	21.7	25
TST1458299	M50	27 - 35	50.5	1 - 4	60.5	34.8	25	10

Light Grey - RAL 7035

TST1458203	M12	4 - 7	12.5	0.5 - 2	20	12.8	5.6	50
TST1475804	M16	5 - 9	16.5	1 - 4	21	17.7	11	50
TST1458205	M20	8 - 13	20.5	1 - 4	25.5	20	13.4	50
TST1458206	M25	11 - 17	25.5	1 - 4	30.5	21.3	15.3	50
TST1458207	M32	15 - 20	32.5	1 - 4	38.5	24.6	18.6	25
TST1458208	M40	19 - 28	40.5	1 - 4	48.5	29.5	21.7	25
TST1458209	M50	27 - 35	50.5	1 - 4	60.5	34.8	25	10

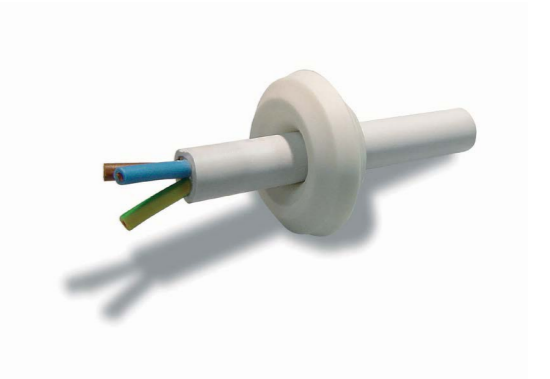
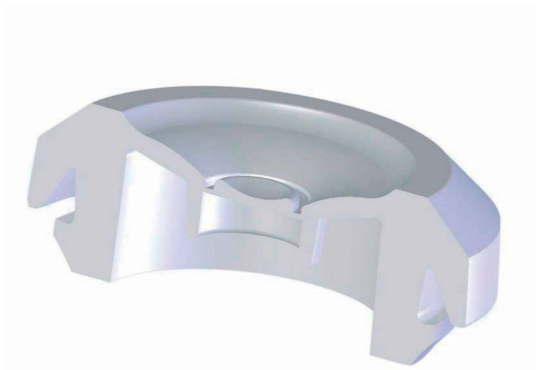
TSS

The **TSS** is the latest addition to the TST grommet range. What makes the **TSS** different from existing products on the market are the built-in features that you do not find in this otherwise relatively simple product.

TSS handles an exceptionally large cable span. It is the only **"simple"** grommet manufactured in a rubber like material, and the only TPE-based end plug.

With the **"push out"** membrane you always have a round opening and are guaranteed to have IP67. The TSS is equipped with a sock that closes tight around the cable and allows for it to be moved around like a **"joy stick"** in the opening without endangering the IP classification. So it works extremely well with cables passing through at an angle. The design makes sure that the grommet stays in place, even when large cables are installed.

These are some of the features that creates a lot of value added in the **TSS**, and makes it a unique product.



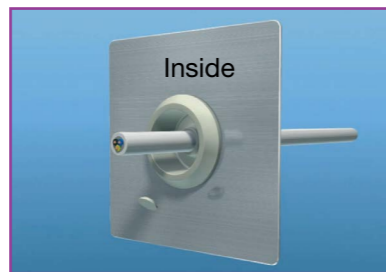
TSS

Product features TSS

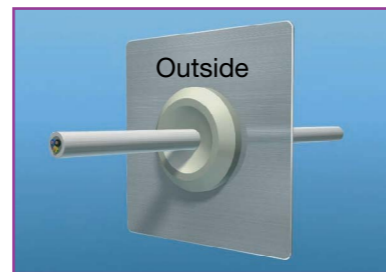
- End plug/grommet for all applications
- Self adjusting to cable diameter
- Ergonomic installation
- Significant time saving
- Handles extremely large cable span 5 - 24mm
- IP67 = waterproof
- Suits material thickness 0.5 - 4.5mm
- Secure installation in opening
- Temperature range -50°C to +25°C
- Easy and fast installation
- "Pushout" membrane
- "Joy-stick" effect thanks to built in sock
- Not for temporary use



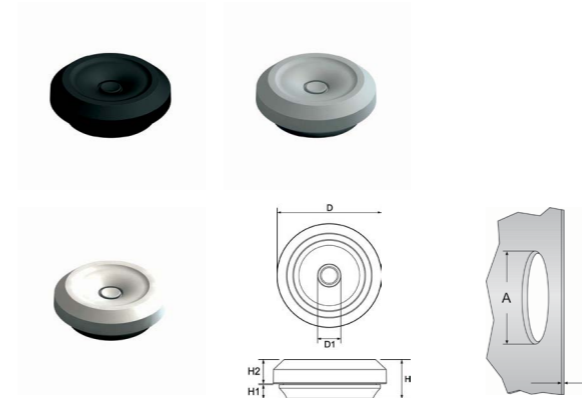
Push the grommet into the hole.



Pierce the grommet with the cable.



TSS



Material: TPE - Thermoplastic Elastomer
 Halogen Free
 UL approved material
 Mode of protection: IP67
 Temperature range: -50° to + 125°C⁽¹⁾
 Test standard: EN60529: 1991+A1
 EMKO-TUI (03-SEC) F1001/84
 Semko report: M16 - 708555-1
 M20 - 708555-2
 M25 - 708555-3
 M32 - 708555-4
 Quick and simple assembly without the use of tools
 Handles exceptionally large cable span
 An end-plug for all applications

(1) Unstressed material

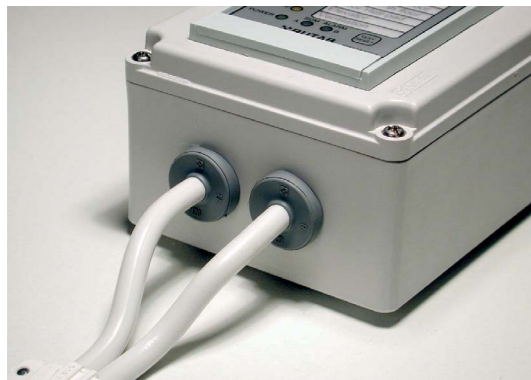
Part No	Size	For pipe Ø mm	A mm	B mm	D* mm	D1 mm	H mm	H1 mm	H2* mm	Pcs pack
Light Grey - RAL 7035										
TST1475711	M16	5 - 10	16.5	0.5 - 3	23.5	4	11	4	6.75	50
TST1475712	M20	6 - 13	20.5	0.5 - 3	27.5	5	11	4	6.75	50
TST1475713	M25	8 - 17	25.5	0.5 - 3.5	32.5	7	11	4	6.75	50
TST1475714	M32	12 - 24	32.5	0.5 - 4.5	39.5	11	11	4	6.75	25
Black - RAL 9005										
TST1475716	M16	5 - 10	16.5	0.5 - 3	23.5	4	11	4	6.75	50
TST1475717	M20	6 - 13	20.5	0.5 - 3	27.5	5	11	4	6.75	50
TST1475718	M25	8 - 17	25.5	0.5 - 3.5	32.5	7	11	4	6.75	50
TST1475719	M32	12 - 24	32.5	0.5 - 4.5	39.5	11	11	4	6.75	25
White - RAL 9010										
TST1475721	M16	5 - 10	16.5	0.5 - 3	23.5	4	11	4	6.75	50
TST1475722	M20	6 - 13	20.5	0.5 - 3	27.5	5	11	4	6.75	50
TST1475723	M25	8 - 17	25.5	0.5 - 3.5	32.5	7	11	4	6.75	50
TST1475724	M32	12 - 24	32.5	0.5 - 4.5	39.5	11	11	4	6.75	25

Why TST Grommets

What makes TST grommets different from the competition?

- Totally automated production in all phases. Production method guarantees an exact quality on all types at all times, also giving very aesthetically pleasing products.
- No tool is required at application, thereby lower work cost. No screwdriver required to make a hole, which often makes an uneven hole adventuring proofing. No scissors to cut off a teat, which often gives the wrong size for guaranteed proofing.
- The opening is always sealed until the membrane is pushed out - no need for stop plugs or blind plugs in the mean time, which causes extra costs.
- Quick and easy installation from one side only - not necessary to be able to reach the opposite side of installation to attach locknut.
- Ergonomically better, no strain on wrists since it does not need to be screwed into place.
- Ideal where space is restricted - less protrusion and space needed. Available in PG & Metric sizes and in several colours and materials.
- All are SEMKO approved for IP67. DNV approval for Rutaseal® in Chloroprene. Klikseal® approved for cable anchorage type A.
- Superior grommets, both economically and in quality.
- The new packaging-line allows for customer specified package-size and labels, should standard sizes and labels not fit your needs.

Examples of applications for RUTASEAL®, KLIKSEAL & TSS



RUTASEAL



TSS



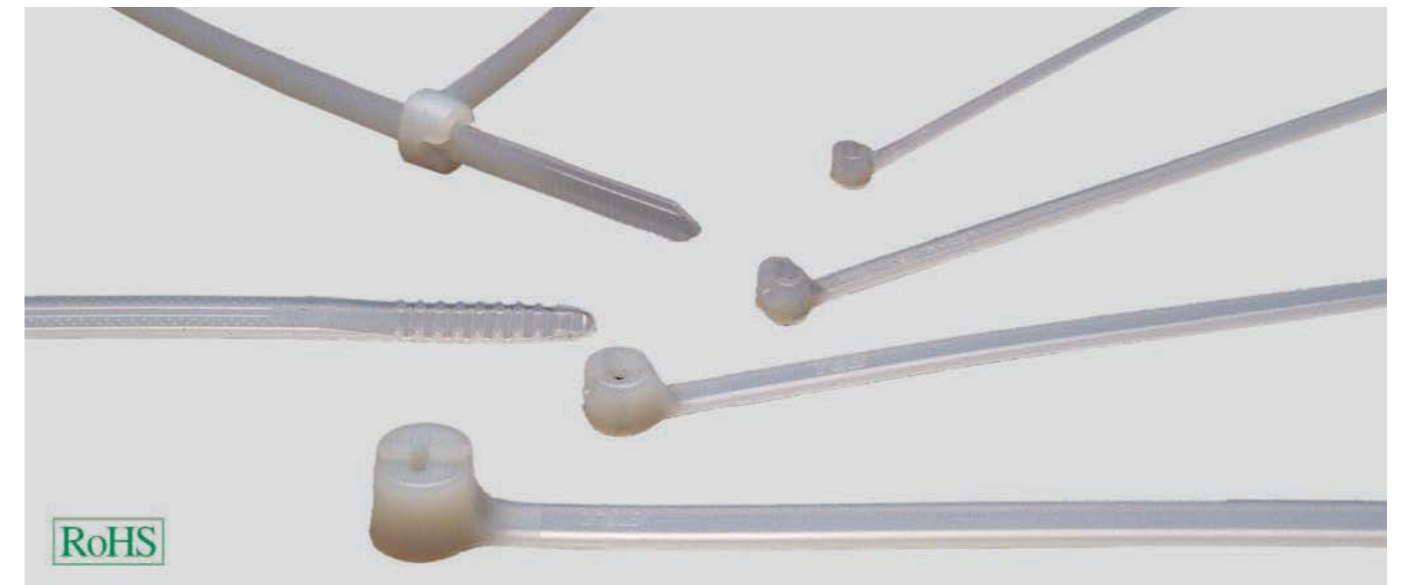
KLIKSEAL



KLIKSEAL

Cable tie type TY-RAP®

with steel lug lock - a product by Thomas & Betts



TY-RAP transparent

TY-RAP® Cable binder with steel lug lock madof corrosion-resitant, non-magnetic steel.

This technology enables the binder to offer excellent binding properties even under the most rigorous conditions such as heat, cold humidity etc and makes it insensitive to vibrations and external influences.

Material

Halogen-free
Silicone-free
Polyamide 6.6

Technical Data

Temperature range: -40°C to +85°C

Note

Brown, Red, Orange, Yellow, Green, p Purple or Grey available on request

Transparent - standard package

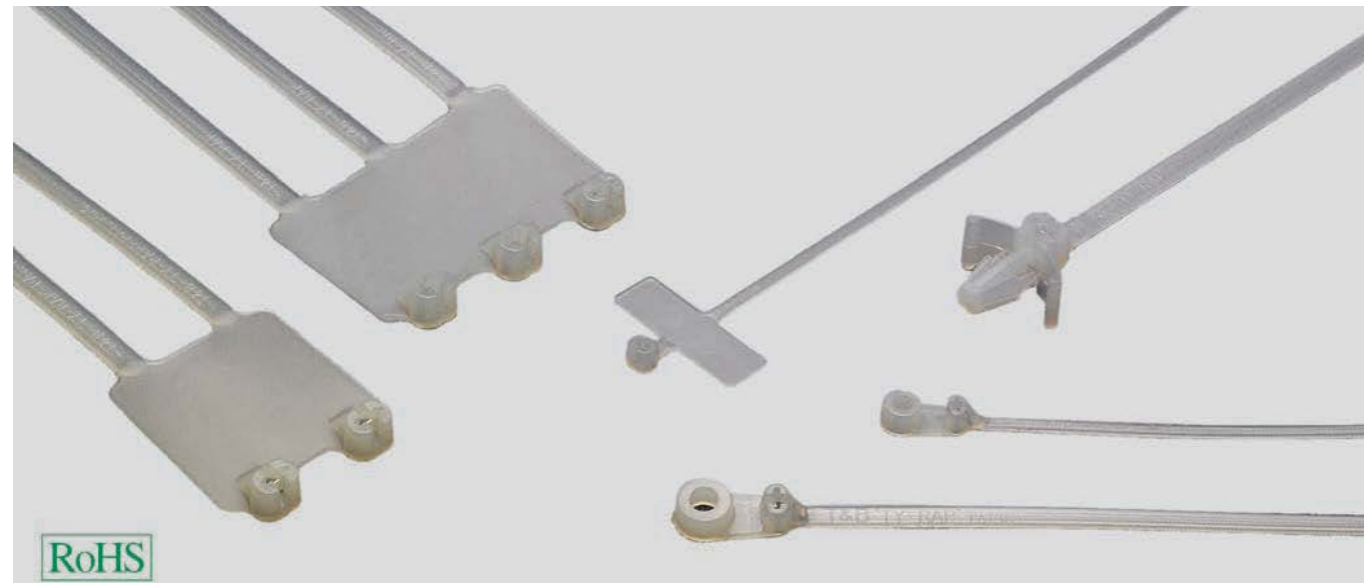
Part No Transparent	Type T&B	Length mm	Width mm	Bundle ø mm	Load capacity N	Unit Std Pkt
91050	TY 5-23M	92.0	2.4	16.0	80.0	100
91054	TY 5-232M	203.0	2.4	50.0	80.0	100
91057	TY 5-234M	356.0	2.4	102.0	80.0	100
91060	TY 5-24M	140.0	3.6	29.0	180.0	100
91063	TY 5-242M	208.0	3.6	50.0	180.0	100
91066	TY 5-26M	282.0	3.6	76.0	180.0	100
91069	TY 5-244M	368.0	3.6	103.0	180.0	100
91072	TY 5-25M	186.0	4.8	45.0	220.0	100
91075	TY 5-253M	289.0	4.8	78.0	220.0	100
91078	TY 5-28M	361.0	4.8	102.0	220.0	100
91081	TY 5-272M	203.0	7.6	50.0	540.0	50
91084	TY 5-27M	340.0	7.6	90.0	540.0	50
91087	TY 5-29M	762.0	7.6	229.0	540.0	50

Transparent - bulk package

Part No Transparent	Type T&B	Length mm	Width mm	Bundle ø mm	Load capacity N	Unit Bulk Pkt
91051	TYB 23M	92.0	2.4	16.0	80.0	1000
91055	TY 232M	203.0	2.4	50.0	80.0	1000
91058	TY 234M	356.0	2.4	102.0	80.0	1000
91061	TYB 24M	140.0	3.6	29.0	180.0	1000
91064	TY 242M	208.0	3.6	50.0	180.0	1000
91067	TY 26M	282.0	3.6	76.0	180.0	1000
91070	TY 244M	368.0	3.6	103.0	180.0	1000
91073	TYB 25M	186.0	4.8	45.0	220.0	1000
91076	TY 253M	289.0	4.8	78.0	220.0	1000
91079	TY 28M	361.0	4.8	102.0	220.0	1000
91082	TY 272M	203.0	7.6	50.0	540.0	500
91085	TY 27M	340.0	7.6	90.0	540.0	500
91088	TY 29M	762.0	7.6	229.0	540.0	500

Cable tie with label

with steel lug lock - a product by Thomas & Betts



TY-RAP® Cable binder with steel lug lock mad of corrosion-resitant, non-magnetic steel.

This technology enables the binder to offer excellent binding properties even under the most rigorous conditions such as heat, cold humidity etc and makes it insensitive to vibrations and external influences.

Material

Halogen-free
Silicone-free
Polyamide 6.6

Technical Data

Temperature range: -40°C to +85°C

Note

TY-RAP® (special types)

marking area below the latch

Part No	Type T&B	Colour	Length mm	Width mm	Bundle ø mm	Load capacity N	Hole ø	Feild WxH	Unit Std Pkt
91108	TY 551M	transparent	92.0	2.4	16.0	80.0	-	25 x 8	50
91109	TY 5512M	transparent	210.0	2.4	51.0	80.0	-	25 x 8	100
91113	TY 546MT	transparent	184.0	4.8	45.0	3 x 660.0	-	46 x 24	100
91114	TY 46MF	transparent	184.0	4.8	45.0	4 x 880.0	-	63 x 24	500
91111	TY 546M	transparent	184.0	4.8	45.0	220.0	-	22 x 13	100
91112	TY 546MD	transparent	184.0	4.8	45.0	2 x 440.0	-	30 x 25	50
91110	TY 548M	transparent	360.0	4.8	102.0	220.0	-	54 x 13	100
Part No	Type T&B	Colour	Length mm	Width mm	Bundle ø mm	Load capacity N	Hole ø	Feild WxH	Unit Std Pkt
91108B	TY 51M	transparent	92.0	2.4	16.0	80.0	-	25 x 8	500
91109B	TY 512M	transparent	210.0	2.4	51.0	80.0	-	25 x 8	1000
91113B	TY 46MT	transparent	184.0	4.8	45.0	3 x 660.0	-	46 x 24	500
91114B	TY 46MF	transparent	184.0	4.8	45.0	4 x 880.0	-	63 x 24	500
91111B	TY 46M	transparent	184.0	4.8	45.0	220.0	-	22 x 13	1000
91112B	TY 46MD	transparent	184.0	4.8	45.0	2 x 440.0	-	30 x 25	500
91110B	TY 48M	transparent	360.0	4.8	102.0	220.0	-	54 x 13	1000

with assembly hole

Part No	Type T&B	Colour	Length mm	Width mm	Bundle ø mm	Load capacity N	Hole ø	Unit Std Pkt
91093	TY 33M	transparent	101.0	2.4	16.0	80.0	2.8	100
91094	TY 34M	transparent	152.0	3.6	29.0	180.0	4.2	100
91096	TY 35M	transparent	198.0	4.8	45.0	220.0	4.8	100
91098	TY 37M	transparent	354.0	7.6	90.0	540.0	6.3	50
Part No	Type T&B	Colour	Length mm	Width mm	Bundle ø mm	Load capacity N	Hole ø	Unit Bulk Pkt
91093B	TY 33M	transparent	101.0	2.4	16.0	80.0	2.8	1000
91094B	TY 34M	transparent	152.0	3.6	29.0	180.0	4.2	1000
91096B	TY 35M	transparent	198.0	4.8	45.0	220.0	4.8	1000
91098B	TY 37M	transparent	354.0	7.6	90.0	540.0	6.3	500

with plug-in clip

Part No	Type T&B	Colour	Length mm	Width mm	Bundle ø mm	Load capacity N	Hole ø	Unit Std Pkt	Unit Bulk Pkt
91103	TY 538M	transparent	197.0	4.8	45.0	220.0	-	100	1000

Cable tie type TY-MX

with steel lug lock - a product of Thomas & Betts



TY-RAP® (UV-Stabilised)

TY-RAP® Cable binder with steel lug lock mad of corrosion-resitant, non-magnetic steel.

This technology enables the binder to offer excellent binding properties even under the most rigorous conditions such as heat, cold humidity etc and makes it insensitive to vibrations and external influences.

Material

Halogen-free
Silicone-free
Polyamide 6.6

Technical Data

Temperature range: -40°C to +85°C
Flammability acc. to UL 94 V2

Note

Other colours and materials available on request

UV - Stabilised standard package

Part No	Type T&B	Length mm	Width mm	Bundle ø mm	Load capacity N	Unit Std Pkt
97310	TY 5-23MX	92.0	2.4	16.0	80.0	100
97311	TY 5-232MX	203.0	2.4	50.0	80.0	100
97312	TY 5-234MX	356.0	2.4	102.0	80.0	100
97313	TY 5-24MX	140.0	3.6	29.0	180.0	100
97314	TY 5-242MX	208.0	3.6	50.0	180.0	100
97436	TY 5-26MX	282.0	3.6	76.0	180.0	100
97437	TY 5-244MX	368.0	3.6	103.0	180.0	100
93694	TY 5-25MX	186.0	4.8	45.0	220.0	100
93695	TY 5-253MX	289.0	4.8	78.0	220.0	100
93696	TY 5-28MX	361.0	4.8	102.0	220.0	100
93698	TY 5-272MX	203.0	7.6	90.0	540.0	50
93697	TY 5-27MX	340.0	7.6	50.0	540.0	50
93699	TY 5-29MX	762.0	7.6	229.0	540.0	50

UV - Stabilised bulk package

Part No	Type T&B	Length mm	Width mm	Bundle ø mm	Load capacity N	Unit Bulk Pkt
91052	TY 23MX	92.0	2.4	16.0	80.0	1000
91056	TY 232MX	203.0	2.4	50.0	80.0	1000
91059	TY 234MX	356.0	2.4	102.0	80.0	1000
91062	TY 24MX	140.0	3.6	29.0	180.0	1000
91065	TY 242MX	208.0	3.6	50.0	180.0	1000
91068	TY 26MX	282.0	3.6	76.0	180.0	1000
91071	TY 244MX	368.0	3.6	103.0	180.0	1000
91074	TY 25MX	186.0	4.8	45.0	220.0	1000
91077	TY 253MX	289.0	4.8	78.0	220.0	1000
91080	TY 28MX	361.0	4.8	102.0	220.0	1000
91083	TY 272MX	203.0	7.6	50.0	540.0	500
91086	TY 27MX	340.0	7.6	90.0	540.0	500
91089	TY 29MX	762.0	7.6	229.0	540.0	500

Cable tie with standard

with plastic lug lock



Cable Ties

One piece cables tiers offer an economical alternative made from quality nylon 6/6 (natural or UV stabilised black). Designed for use where ever you need to bundle wire cable or pipe.

Material

Halogen-free
Silicone-free
Polyamide 6.6

Technical Data

Temperature range: -40°C to +85°C
Black UV stabilised.

Standard Cable Ties - small package

Part No Transparent	Part No Black	Length mm	Width mm	Bundle ø mm	Load capacity N	Unit Std Pkt
91121	90130	104	2.4	19	80.0	100
91122	90131	168	2.4	40	80.0	100
91123	90132	150	3.6	32	180.0	100
91124	90133	182	4.8	44	220.0	100
91125	90134	204	2.4	50	80.0	100
91130	90137	206	3.6	50	180.0	100
91074	90136	280	7.6	76	540.0	100
90158	90148	304	3.6	76	180.0	100
90159	90149	307	4.8	76	220.0	100
96491	96492	370	4.8	101	220.0	100
97219	97223	380	7.6	101	540.0	100
97220	97224	430	4.8	120	220.0	100

Standard Cable Ties - bulk package

Part No Transparent	Part No Black	Length mm	Width mm	Bundle ø mm	Load capacity N	Unit Bulk Pkt
91121B	90130B	104	2.4	19	80.0	1000
91122B	90131B	168	2.4	40	80.0	1000
91123B	90132B	150	3.6	32	180.0	1000
91124B	90133B	182	4.8	44	220.0	1000
91125B	90134B	204	2.4	50	80.0	1000
91130B	90137B	206	3.6	50	180.0	1000
91074B	90136B	280	7.6	76	540.0	500
90158B	90148B	304	3.6	76	180.0	1000
90159B	90149B	307	4.8	76	220.0	1000
96491B	96492B	370	4.8	101	220.0	1000
97219B	97223B	380	7.6	101	540.0	500
97220B	97224B	430	4.8	120	220.0	100

Cable tie type E

Stainless steel



Cable Binder

Cable binders made of stainless steel with ball lock for use in extreme conditions, such as high temperatures, aggressive environment, and high tensile loads.

Material

Stainless steel 316

Properties

Corrosion and radiation resistant, anti-magnetic, resistant to high temperatures and aggressive chemicals

Technical Data

Temperature range: -40°C to +538°C

Note

Approvals: GL, Lloyds, UL

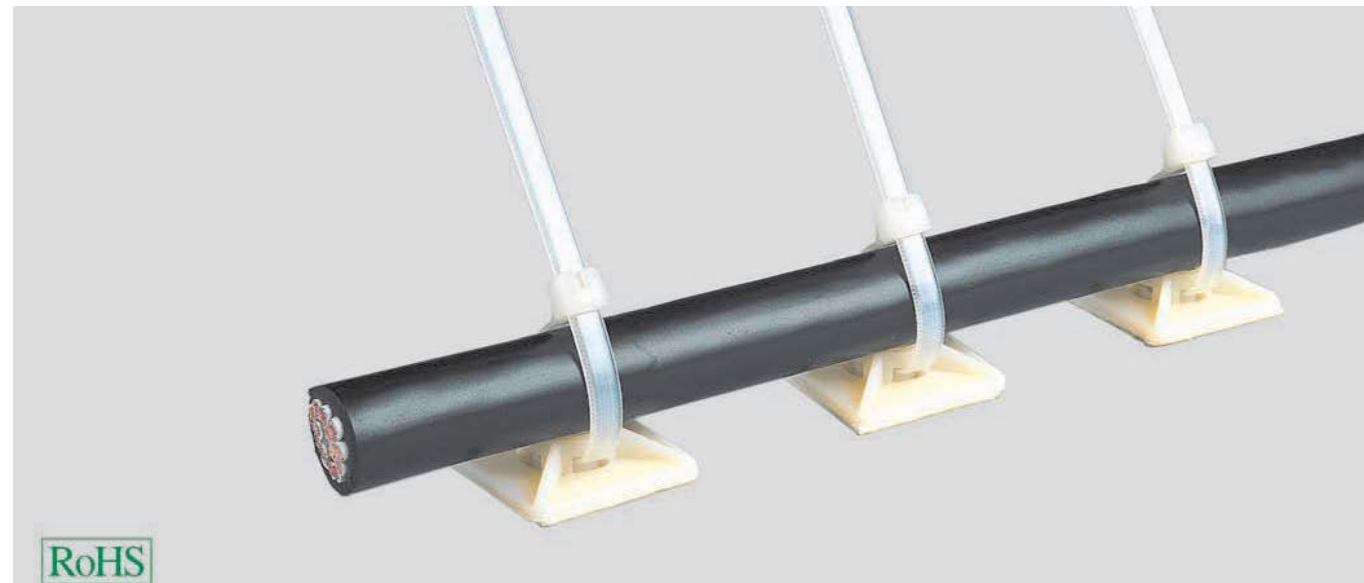
Stainless Steel Ties

Part No	Length mm	Width mm	Bundle ø mm	Load capacity N	tUnit Std Pkt
TACT46-100E	100	4.6	16	450	100
TACT46-150E	150	4.6	32	450	100
TACT46-200E	200	4.6	51	450	100
TACT46-360E	360	4.6	102	450	100
TACT46-520E	520	4.6	152	450	100
TACT46-680E	680	4.6	203	450	100
TACT46-840E	840	4.6	254	450	100
TACT46-1000E	1000	4.6	300	450	100
TACT79-100E	100	7.9	16	1130	100
TACT79-150E	150	7.9	32	1130	100
TACT79-200E	200	7.9	51	1130	100
TACT79-360E	360	7.9	102	1130	100
TACT79-520E	520	7.9	152	1130	100
TACT79-680E	680	7.9	203	1130	100
TACT79-840E	840	7.9	254	1130	100
TACT79-1010E	1010	7.9	318	1130	100
TACT79-1200E	1200	7.9	370	1130	100
TACT79-1300E	1300	7.9	400	1130	100
TACT79-1400E	1400	7.9	435	1130	100

Stainless Steel Ties Nylon Coated Ties - Black

Part No	Length mm	Width mm	Bundle ø mm	Load capacity N	Unit Std Pkt
TACT79-100EC	100	7.9	16	1130	100
TACT79-150EC	150	7.9	32	1130	100
TACT79-200EC	200	7.9	51	1130	100
TACT79-360EC	360	7.9	102	1130	100
TACT79-520EC	520	7.9	152	1130	100
TACT79-594EC	594	7.9	203	1130	100
TACT79-680EC	680	7.9	203	1130	100
TACT79-840EC	840	7.9	254	1130	100

Mounting block BS



BS

BS mounting base for installing cables, lines, tubes and pipes. The combination with cable binders for simple handling.

Material

Polyamide 6.6
Colour: transparent

Technical Data

Temperature range: -40°C to +85°C
Black UV stabilised.

Note

Foamed self-adhesive foil adheres to smooth and grease free surfaces and smoothes to uneven surfaces.

Application

Plant and machine construction, robot construction, automation technology, vehicle construction and shipbuilding, rail technology, installation technology and control cabinet construction.

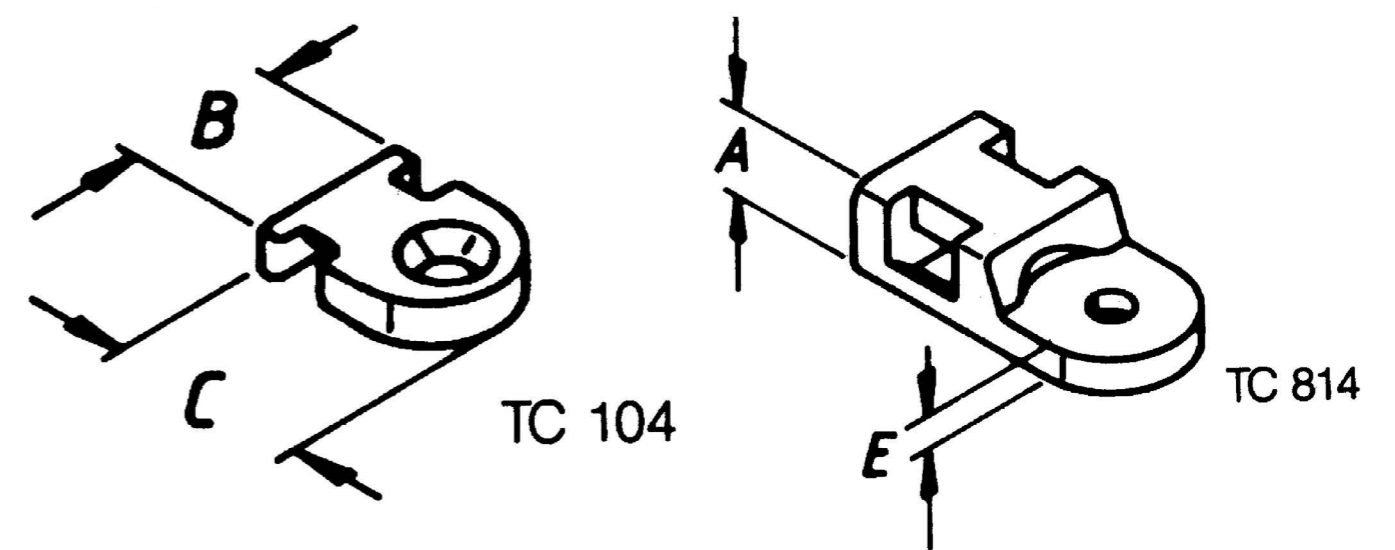
Transparent Mounting Bases

Part No Transparent	Type	Size L x W	Cable Tie Max width mm	Load capacity N	Unit Qty
91090	BS 1	20,0 x 20,0	4.0	25.0	100
91091	BS 2	28,0 x 28,0	5.0	49.0	100

Black Mounting Bases

Part No Black	Type	Size L x W	Cable Tie Max width mm	Load capacity N	Unit Qty
91092	BS 1	20,0 x 20,0	4.0	25.0	100
91093	BS 2	28,0 x 28,0	5.0	49.0	100

Mounting block TC



TC for band fastening

Small base for band fastening with countersunk screws, cylinder bolts or rivet assembly.

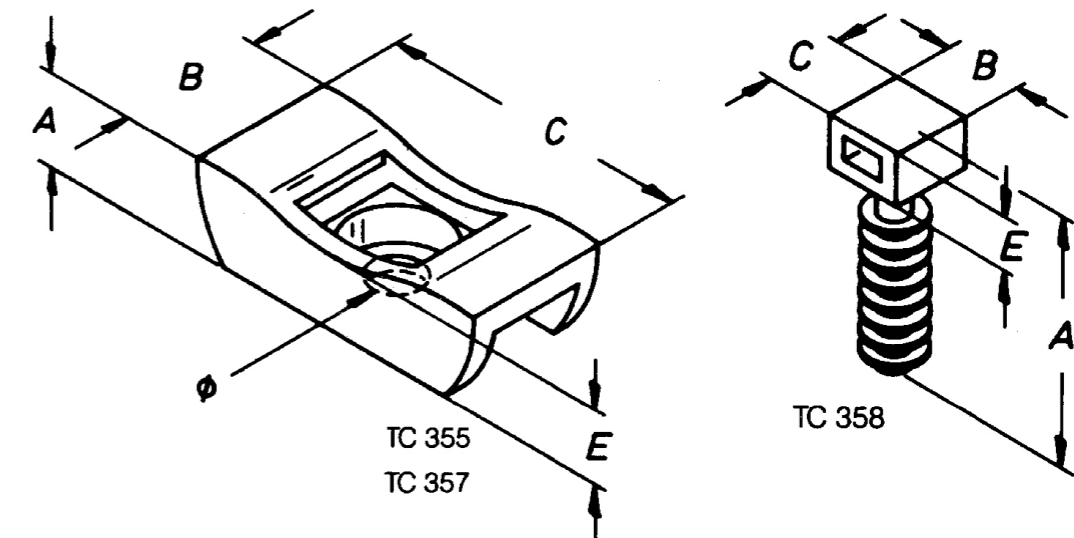
Material

Polyamide 6.6
Colour: transparent

Technical Data

Temperature range: -40°C to +85°C
Small socket for screwing or for riveting

Part No Black	Type	Fixing	A mm	B mm	C mm	D mm	E mm	F mm	Boring mm	Tie Width max	Unit
91039	TC 102	Screw-in	3.2	13.0	19.0	-	-	-	4.2	4.8	100
91040	TC 104	Screw-in	2.5	8.0	10.0	-	-	-	3.2	2.4	100
91041	TC 112	Screw-in	5.0	10.0	19.0	-	2.0	-	4.2	4.8	100
91042	TC 812	Screw-in	5.0	10.0	19.0	-	2.0	-	4.8	4.8	100
91043	TC 814	Screw-in	5.0	10.0	19.0	-	2.0	-	3.2	4.8	100



TC as mounting base

Mounting base for robust fastening of lines, pipes and tubes - outdoor applications included.

Material

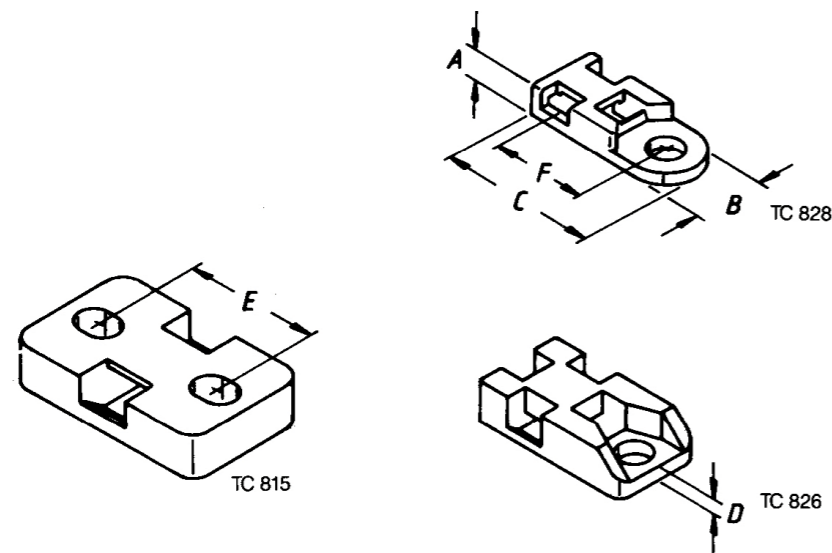
Polyamide 6.6
Colour: Black

Technical Data

Temperature range: -40°C to +85°C
Small socket for screwing or for riveting

Part No Black	Type	Fixing	A mm	B mm	C mm	D mm	E mm	F mm	Boring mm	Tie Width max	Unit
91046	TC 355	Screw-in	16.0	19.1	44.0	-	11.0	-	4.3	12.7	25
91047	TC 357	Screw-in	16.0	19.1	44.0	-	11.0	-	6.6	12.7	100
91048	TC 358	For fastening with anchors	31.0	10.0	10.0	-	7.0	-	6.0	4.8	100

Mounting block TC



TC as screw base

Mounting base for bolting or riveting.
Cable binder can be inserted from 4 sides.

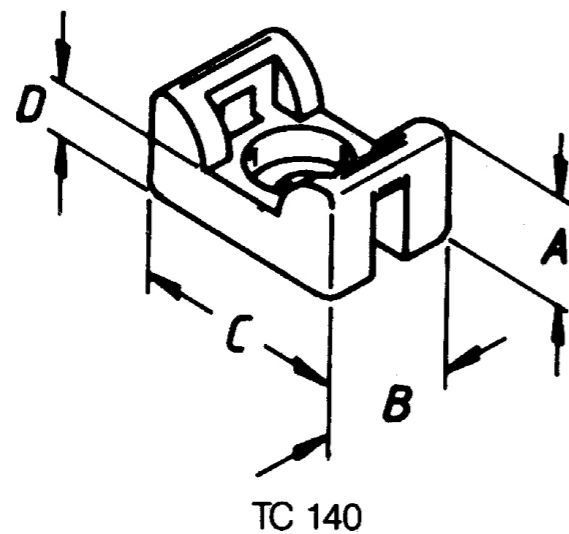
Material

Polyamide 6.6
Colour: transparent

Technical Data

Temperature range: -40°C to +85°C
Screwing socket

Part No	Type	Fixing	A mm	B mm	C mm	D mm	E mm	F mm	Boring mm	Tie Width max	Unit
93007	TC 815	Screw-in	6.4	19.0	32.0	-	18.5	-	4.8	7.6	100
93044	TC 826	Screw-in	5.7	13.0	24.0	-	-	-	4.2	4.8	100
93045	TC 827	Screw-in	3.8	10.0	23.0	-	-	-	4.2	4.8	100



TC as screw base

Mounting base with support saddle.

Material

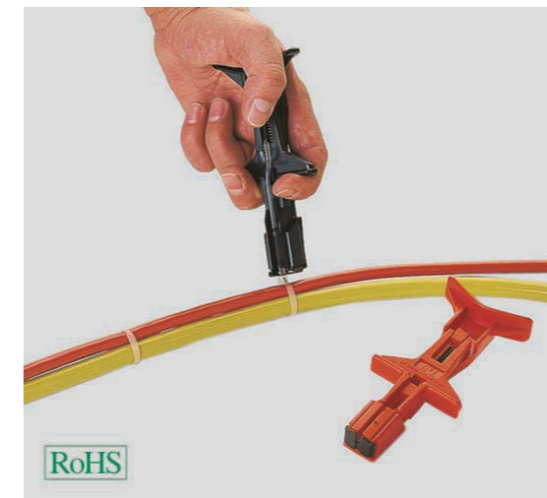
Polyamide 6.6
Colour: transparent

Technical Data

Temperature range: -40°C to +85°C
With saddle

Part No	Type	Fixing	A mm	B mm	C mm	D mm	E mm	F mm	Boring mm	Tie Width max	Unit
93005	TC 140	Screw-in	7.0	8.7	14.2	3.6	-	-	2.8	2.4	100
93003	TC 141	Screw-in	8.2	11.1	17.0	4.0	-	-	3.5	4.8	100
93004	TC 142	Screw-in	11.0	14.2	23.4	5.2	-	-	5.2	7.6	100

Mounting tool WT1, WT2



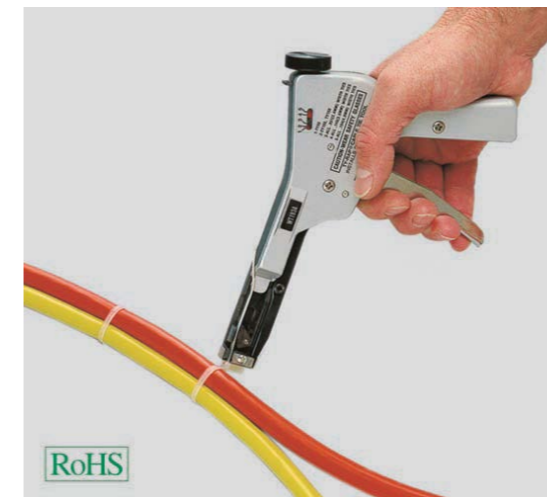
Assembly tool for cable binder

WT 1 / WT2

Tools WT1 and WT 2, small practice clamping tools that fit into any pocket.
The binder is clamped, the excess material is sheared without burr by rotating movement

Part No	Type	Tie Width max	Unit	net EUR/Items at acceptance of		
				1	1-4	5-10
91115	WT-1	2.4 - 4.8	1	o. r.	o. r.	o. r.
91115	WT-2	4.8 - 7.6	1	o. r.	o. r.	o. r.

Mounting tool WT193, WT197



Assembly tool for cable binder

WT 1 / WT2

Clamping gun WT193 and WT 197, a suitable tool for rationalising small and medium sized series. The adjustable traction torque, practice shape impact clammer and low weight make work non-tiring. The cable binders are evenly clamped, the overhanging material remnant is automatically sheared without burr.

Part No	Type	Tie Width max	Unit	net EUR/Items at acceptance of		
				1	1-4	5-10
91117	WT-193	2.4 - 4.8	1	o. r.	o. r.	o. r.
91117	WT-197	4.8 - 7.6	1	o. r.	o. r.	o. r.

Treotham

World leading brands distributed by Treotham



www.treotham.com.au



Supplier of Quality Electrical and Mechanical Components

www.treotham.com.au

info@treotham.com.au

ABN: 72 055 966 240

NEW SOUTH WALES	VICTORIA	QUEENSLAND	WESTERN AUSTRALIA
109 Wicks Road	Unit 9, 1-7 Friars Road	35 Prosperity Place	Unit 1, 14 Profit Pass
Macquarie Park NSW 2113.	MOORABBIN VIC 3189	GEEBUNG QLD 4034	Wangara WA 6065
Phone: (02) 9907 1788	Phone: (03) 9555 4890	Telephone: (07) 3633 0010	Phone: (08) 9303 2347
Email: nswsales@treotham.com.au	Email: vicsales@treotham.com.au	Email: qldsales@treotham.com.au	Email: wasales@treotham.com.au