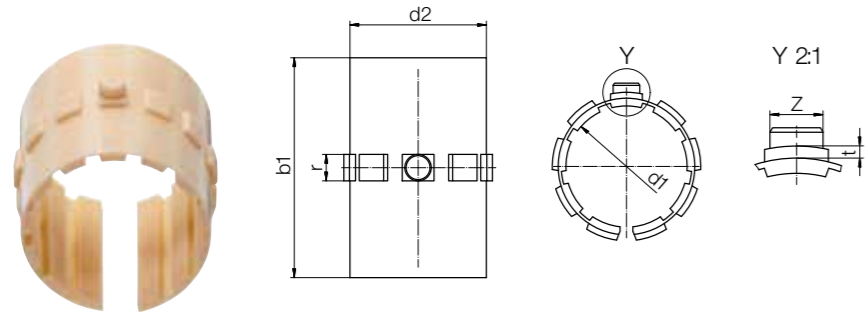


drylin® R liners | Product range

Short, closed design for shafts –
made from iglidur® J (the all-rounder)



Order key

Type	Size
JUM-02-10	
igidur® J	
Liner	
Metric	
Compact	
Inner Ø d1	

The all-rounder for all shaft surfaces
in indoor and outdoor applications

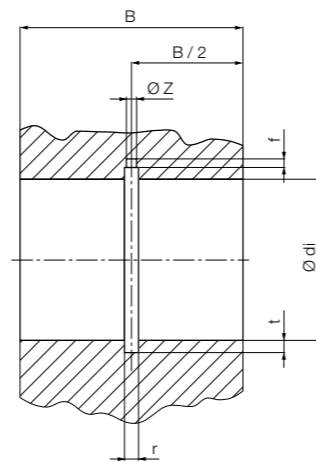
⁷⁸⁾ According to igus® testing method ► Page 1146
Please note: Installation instructions ► Page 1079
 Min. -50°C
Max. +90°C

Dimensions [mm]

d1	d1 tolerance ⁷⁸⁾	d2	b1	r	t	Z	Weight [g]	Part No.
10	+0.030 +0.070	12	25	3.0	0.8	2.5	1.02	JUM-02-10
12	+0.030 +0.070	14	27	3.0	0.8	3.0	1.27	JUM-02-12
16	+0.030 +0.070	18	29	3.5	0.8	3.5	1.82	JUM-02-16
20	+0.030 +0.070	23	29	5.0	0.8	3.5	3.27	JUM-02-20
25	+0.030 +0.070	28	39	5.0	0.8	4.0	5.75	JUM-02-25
30	+0.040 +0.085	34	49	5.0	0.8	4.0	11.28	JUM-02-30
40	+0.040 +0.085	44	59	6.0	1.3	5.0	17.94	JUM-02-40
45	+0.040 +0.085	50	59	7.0	1.3	6.0	27.00	JUM-02-45
50	+0.050 +0.150	55	69	7.0	1.3	6.0	32.56	JUM-02-50

Housing hole for JUM-02 | Dimensions [mm]

Shaft Ø	d1 H7	B h10	r +0.05	t +0.1	f +0.5	Z +0.2	Part No.
10	12	26	3.0	1.0	1.0	2.6	JUM-02-10
12	14	28	3.0	1.0	1.5	3.1	JUM-02-12
16	18	30	3.5	1.0	1.7	3.6	JUM-02-16
20	23	30	5.0	1.0	2.0	3.6	JUM-02-20
25	28	40	5.0	1.0	2.0	4.1	JUM-02-25
30	34	50	5.0	1.0	2.0	4.1	JUM-02-30
40	44	60	6.0	1.5	2.5	5.1	JUM-02-40
45	50	60	7.0	1.5	2.5	6.1	JUM-02-45
50	55	70	7.0	1.5	2.5	6.1	JUM-02-50



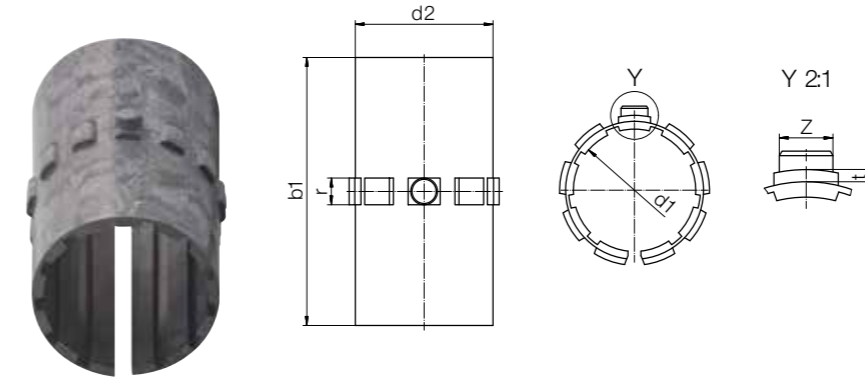
Can be combined with:



RJUM-02 RJUM-05/RJUME-05 FJUMT-01/-02
TJUM-05/RJUMT-05

drylin® R liners | Product range

Long, closed design for shafts –
made from iglidur® J200 (the specialist)



Order key

Type	Size
J200UM-01-10	
igidur® J200	
Liner	
Metric	
Standard	
Inner Ø d1	

The "specialist" with the best running performance on
aluminium

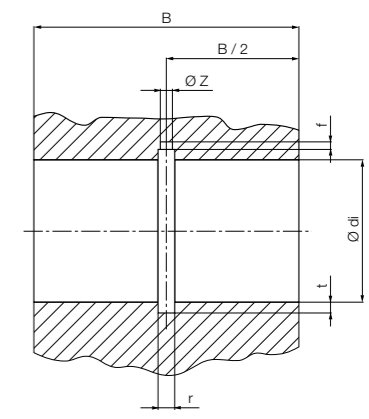
⁷⁸⁾ According to igus® testing method ► Page 1146
Please note: Installation instructions ► Page 1079
 Min. -50°C
Max. +90°C

Dimensions [mm]

d1	d1 tolerance ⁷⁸⁾	d2	b1	r	t	Z	Weight [g]	Part No.
10	+0.030 +0.070	12	28	3.0	0.8	2.5	1.10	J200UM-01-10
12	+0.030 +0.070	14	31	3.0	0.8	3.0	1.50	J200UM-01-12
16	+0.030 +0.070	18	35	3.5	0.8	3.5	2.54	J200UM-01-16
20	+0.030 +0.070	23	44	5.0	0.8	3.5	5.66	J200UM-01-20
25	+0.030 +0.070	28	57	5.0	0.8	4.0	9.51	J200UM-01-25
30	+0.040 +0.085	34	67	5.0	0.8	4.0	17.27	J200UM-01-30
40	+0.040 +0.085	44	79	6.0	1.3	5.0	26.75	J200UM-01-40
50	+0.050 +0.150	55	99	7.0	1.3	6.0	52.38	J200UM-01-50

Housing hole for J200UM-01 | Dimensions [mm]

Shaft Ø	d1 H7	B h10	r +0.05	t +0.1	f +0.5	Z +0.2	Part No.
10	12	29	3.0	1.0	1.0	2.6	J200UM-01-10
12	14	32	3.0	1.0	1.5	3.1	J200UM-01-12
16	18	36	3.5	1.0	1.7	3.6	J200UM-01-16
20	23	45	5.0	1.0	2.0	3.6	J200UM-01-20
25	28	58	5.0	1.0	2.0	4.1	J200UM-01-25
30	34	68	5.0	1.0	2.0	4.1	J200UM-01-30
40	44	80	6.0	1.5	2.5	5.1	J200UM-01-40
50	55	100	7.0	1.5	2.5	6.1	J200UM-01-50




Can be combined with:

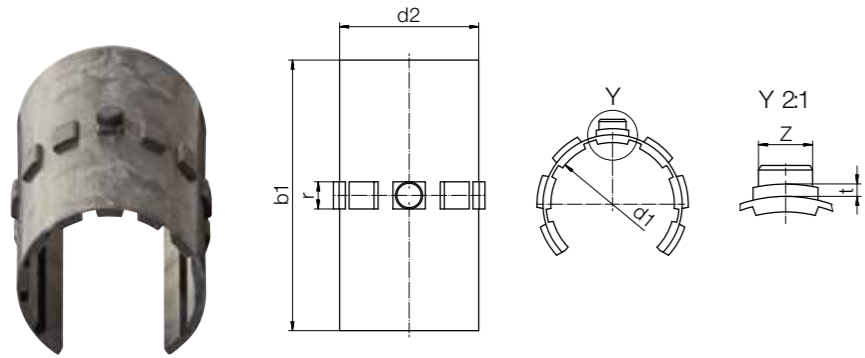


RJUM-01/-03 RJUM-06/-06-LL FJUM-01/-02
TJUM-01/-03

drylin® R liners | Product range



Long, open design for supported shafts –
made from iglidur® J200 (the specialist)

 Order key



Type	Size
J200 U M O-01-10	
iglidur® J200	
Liner	
Metric	
Open	
Standard	
Inner Ø d1	

The "specialist" with the best running performance on aluminium

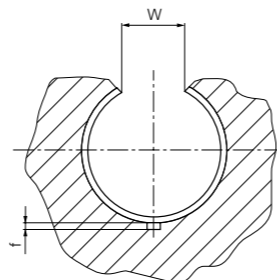
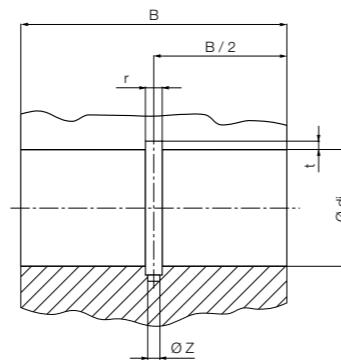
 ⁷⁸⁾ According to igus® testing method ▶ Page 1146
Please note: Installation instructions ▶ Page 1079
 Min. -50°C
Max. +90°C

Dimensions [mm]

d1	d1 tolerance ⁷⁸⁾	d2	b1	r	t	Z	Weight [g]	Part No.
10	+0.030 +0.070	12	28	3.0	0.8	2.5	1.04	J200UMO-01-10
12	+0.030 +0.070	14	31	3.0	0.8	3.0	1.34	J200UMO-01-12
16	+0.030 +0.070	18	35	3.5	0.8	3.5	1.98	J200UMO-01-16
20	+0.030 +0.070	23	44	5.0	0.8	3.5	4.80	J200UMO-01-20
25	+0.030 +0.070	28	57	5.0	0.8	4.0	8.05	J200UMO-01-25
30	+0.040 +0.085	34	67	5.0	0.8	4.0	14.30	J200UMO-01-30
40	+0.040 +0.085	44	79	6.0	1.3	5.0	23.31	J200UMO-01-40

Housing hole for J200UMO-01 | Dimensions [mm]

Shaft Ø	d _i H7	B h10	W	r	t	f	Z	Part No.
				+0.5	+0.05	+0.1	+0.2	
10	12	29	7.3	3.0	1.0	1.0	2.6	J200UMO-01-10
12	14	32	9.0	3.0	1.0	1.5	3.1	J200UMO-01-12
16	18	36	11.6	3.5	1.0	1.7	3.6	J200UMO-01-16
20	23	45	12.0	5.0	1.0	2.0	3.6	J200UMO-01-20
25	28	58	14.5	5.0	1.0	2.0	4.1	J200UMO-01-25
30	34	68	16.6	5.0	1.0	2.0	4.1	J200UMO-01-30
40	44	80	21.0	6.0	1.5	2.5	5.1	J200UMO-01-40



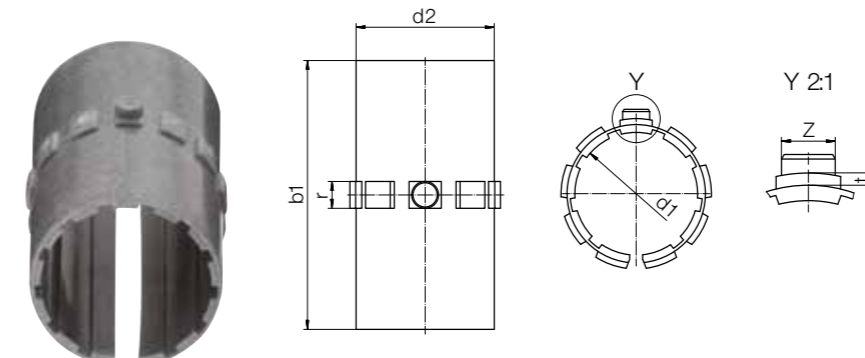
Can be combined with:



drylin® R liners | Product range



Long, closed design for shafts –
made from iglidur® E7 (the endurance runner)

 Order key



Type	Size
E7 U M-01-10	
iglidur® E7	
Liner	
Metric	
Standard	
Inner Ø d1	

The "endurance runner" up to 8 times longer service life on steel shafts

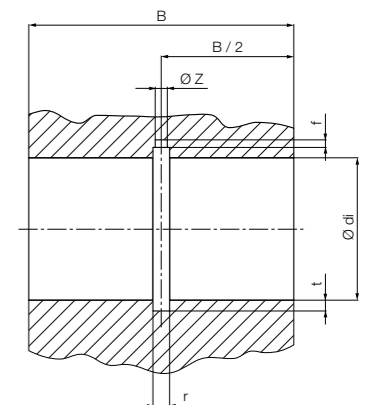
 ⁷⁸⁾ According to igus® testing method ▶ Page 1146
Please note: Installation instructions ▶ Page 1079
 Min. -50°C
Max. +70°C

Dimensions [mm]

d1	d1 tolerance ⁷⁸⁾	d2	b1	r	t	Z	Weight [g]	Part No.
10	+0.030 +0.070	12	28	3.0	0.8	2.5	0.73	E7UM-01-10
12	+0.030 +0.070	14	31	3.0	0.8	3.0	1.01	E7UM-01-12
16	+0.030 +0.070	18	35	3.5	0.8	3.5	1.45	E7UM-01-16
20	+0.030 +0.070	23	44	5.0	0.8	3.5	3.25	E7UM-01-20
25	+0.030 +0.070	28	57	5.0	0.8	4.0	5.44	E7UM-01-25
30	+0.040 +0.085	34	67	5.0	0.8	4.0	9.88	E7UM-01-30
40	+0.040 +0.085	44	79	6.0	1.3	5.0	17.30	E7UM-01-40
50	+0.050 +0.150	55	99	7.0	1.3	6.0	36.30	E7UM-01-50⁷⁹⁾
60	+0.050 +0.150	65	124	8.0	2.5	6.5	54.80	E7UM-01-60⁷⁹⁾

Housing hole for E7UM-01 | Dimensions [mm]


Shaft Ø	d _i H7	B h10	r	t	f	Z	Part No.
			+0.5	+0.05	+0.1	+0.2	
10	12	29	3.0	1.0	1.0	2.6	E7UM-01-10
12	14	32	3.0	1.0	1.5	3.1	E7UM-01-12
16	18	36	3.5	1.0	1.7	3.6	E7UM-01-16
20	23	45	5.0	1.0	2.0	3.6	E7UM-01-20
25	28	58	5.0	1.0	2.0	4.1	E7UM-01-25
30	34	68	5.0	1.0	2.0	4.1	E7UM-01-30
40	44	80	6.0	1.5	2.5	5.1	E7UM-01-40
50	55	100	7.0	1.5	2.5	6.1	E7UM-01-50⁷⁹⁾
60	65	125	8.0	2.5	3.0	6.5	E7UM-01-60⁷⁹⁾



⁷⁹⁾ in two parts

Can be combined with:



 Imperial dimensions
▶ Page 1612