



iglidur[®] piston rings

Easy installation

Cost-effective

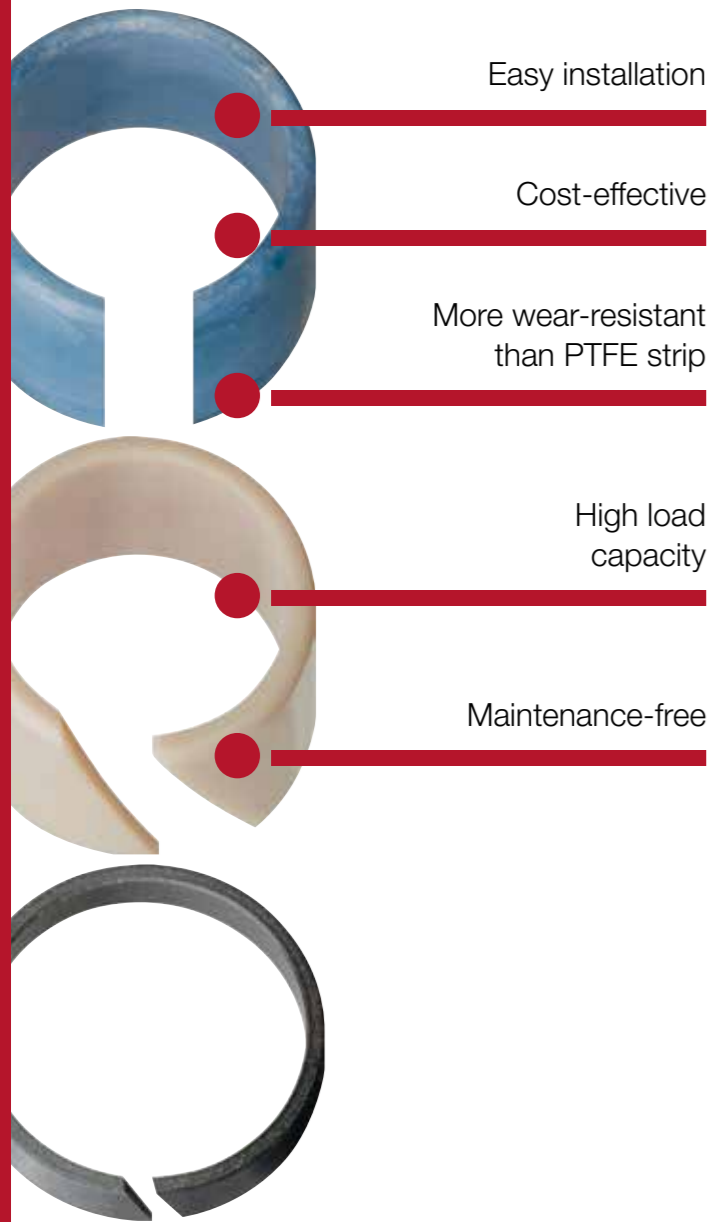
More wear-resistant than PTFE strips

High load capacity

Standard range from stock



Easy and cost-effective: iglidur® piston rings



Easy installation

Cost-effective

More wear-resistant than PTFE strip

High load capacity

Maintenance-free

iglidur® piston rings

Why complicate things if you do not need to? Some things can actually be very easy: Replace complex stamped PTFE strips with a single clip-on ring, for example in cylinders, control valves and fittings. In addition to the standard iglidur® J range, it is also possible to configure your required piston ring from the entire iglidur® bearing range.



When to use it?

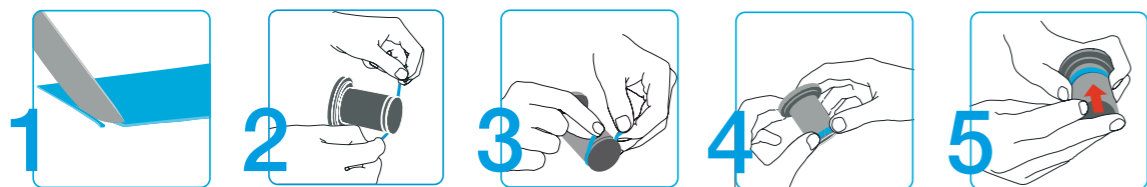
- When piston rings with excellent wear properties are required
- When simple assembly is of great importance
- When high edge loads occur
- When tailor-made solutions based on iglidur® materials are required



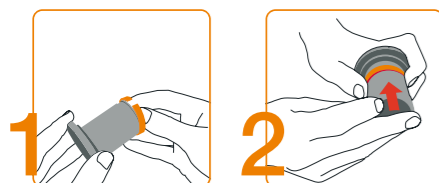
When not to use it?

- When the piston rings should also act as a seal
- When different diameters should be covered by one part

Alternative solutions:

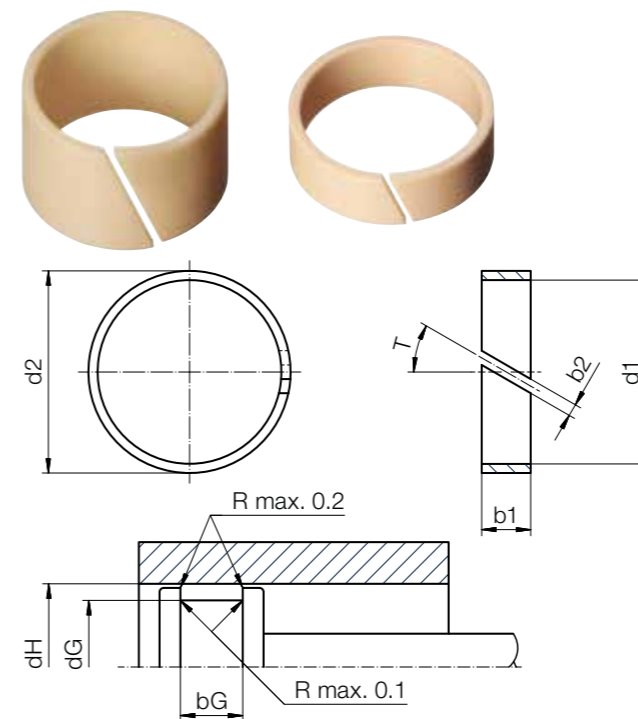


With iglidur®:



iglidur® J piston rings, from stock

iglidur® J is our all-round material when it comes to an outstanding running performance and low coefficient of friction on the broadest range of shafts. The flexibility of iglidur® J enables the typical assembly expected with piston rings using the push over/clip on method. Good media resistance rounds off the range of properties.



Installation recommendation for piston

Dimensions [mm]	dG (h tolerance)	dH (H tolerance)	bG
Nominal size	dG = d1	dH = d2	bG = b1 + 0.2

Dimensions [mm]

d1	d2	b1 h13	b2 ±0.5	T [°]	Part No.
6	8	6	1.0	0	JPRM-0608-06
8	10	10	1.0	0	JPRM-0810-10
10	12	5.4	2.5	20	JPRM-1012-054 ¹⁶⁷⁾
12	14	5.4	2.5	20	JPRM-1214-054
13	15	5.4	2.5	20	JPRM-1315-054
14	16	5.4	2.5	20	JPRM-1416-054
14	16	10	1.0	20	JPRM-1416-10
16	18	5.4	2.5	20	JPRM-1618-054 ¹⁶⁷⁾
17	22	5.4	2.5	25	JPRM-1722-054
20	23	5.4	2.5	20	JPRM-2023-054
25	28	5.4	2.5	20	JPRM-2528-054
28	32	10	1.0	20	JPRM-2832-10
28	32	20	1.0	20	JPRM-2832-20
28	33	5.4	2.5	25	JPRM-2833-054
30	34	5.4	2.5	20	JPRM-3034-054
35	39	5.4	2.5	20	JPRM-3539-054
35	40	5.4	2.5	25	JPRM-3540-054

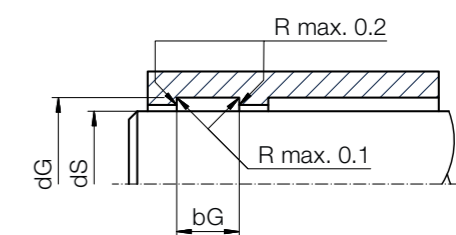
¹⁶⁷⁾ Straight slot

Order key

Type	Dimensions [mm]
------	-----------------

J PR M-06 08-06

iglidur® material	Piston ring	Metric	Inner Ø	Outer Ø	Length
-------------------	-------------	--------	---------	---------	--------



Installation recommendation for housing

Dimensions [mm]	dS (h tolerance)	dG (H tolerance)	bG
Nominal size	dS = d1	dG = d2	bG = b1 + 0.2

d1	d2	b1 h13	b2 ±0.5	T [°]	Part No.
40	44	5.4	2.5	20	JPRM-4044-054
45	50	5.4	2.5	20	JPRM-4550-054
45	50	10	2.0	0	JPRM-4550-10
50	55	5.4	2.5	20	JPRM-5055-054
50	55	10	2.0	0	JPRM-5055-10
58	63	9.5 (-0.22)	2.5	25	JPRM-5863-095
60	65	5.4	2.5	20	JPRM-6065-054
70	75	5.4	2.5	20	JPRM-7075-054

i More Information about iglidur® material and technical data
iglidur® J ► Page 159

+ Max. +90°C
- Min. -50°C

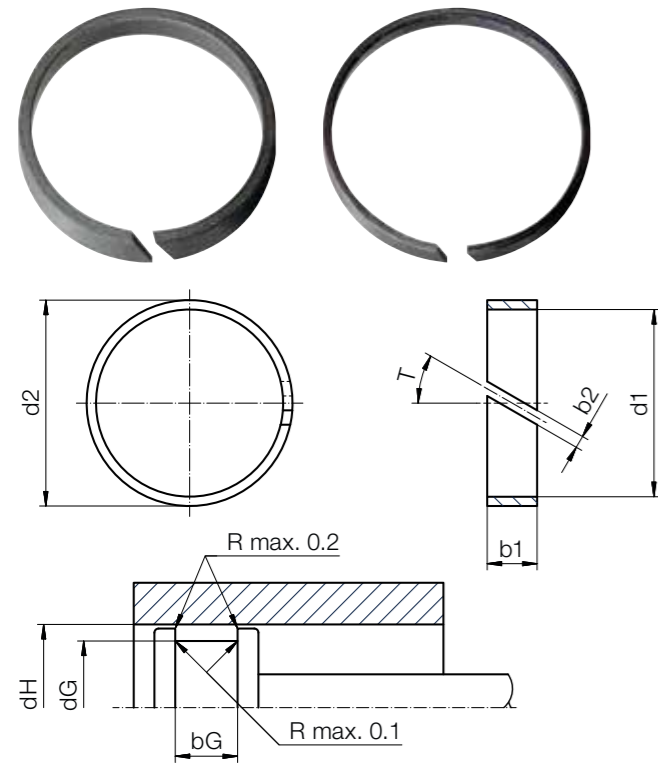
↕ Ø 6–70mm
 More dimensions upon request

🚚 Available from stock
 Detailed information about delivery time online.

Custom-made piston rings

In addition to the stock range of iglidur® J piston rings, you can also select your required piston ring on the basis of the entire iglidur® bearing range.

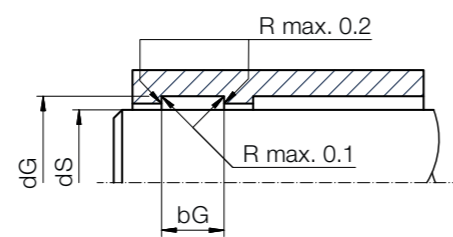
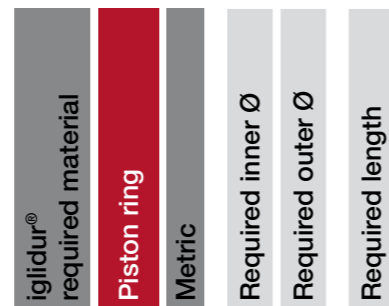
Use the entire iglidur® plain bearing range and choose the material best suited to your application. Your piston ring will be delivered within 10 days – to your requirements.



Order key

Type Dimensions [mm]

PR M--



Installation recommendation for piston

Dimensions [mm]	dG (h tolerance)	dH (H tolerance)	bG
Nominal size	dG = d1	dH = d2	bG = b1 + 0.2

Installation recommendation for housing

Dimensions [mm]	dS (h tolerance)	dG (H tolerance)	bG
Nominal size	dS = d1	dG = d2	bG = b1 + 0.2

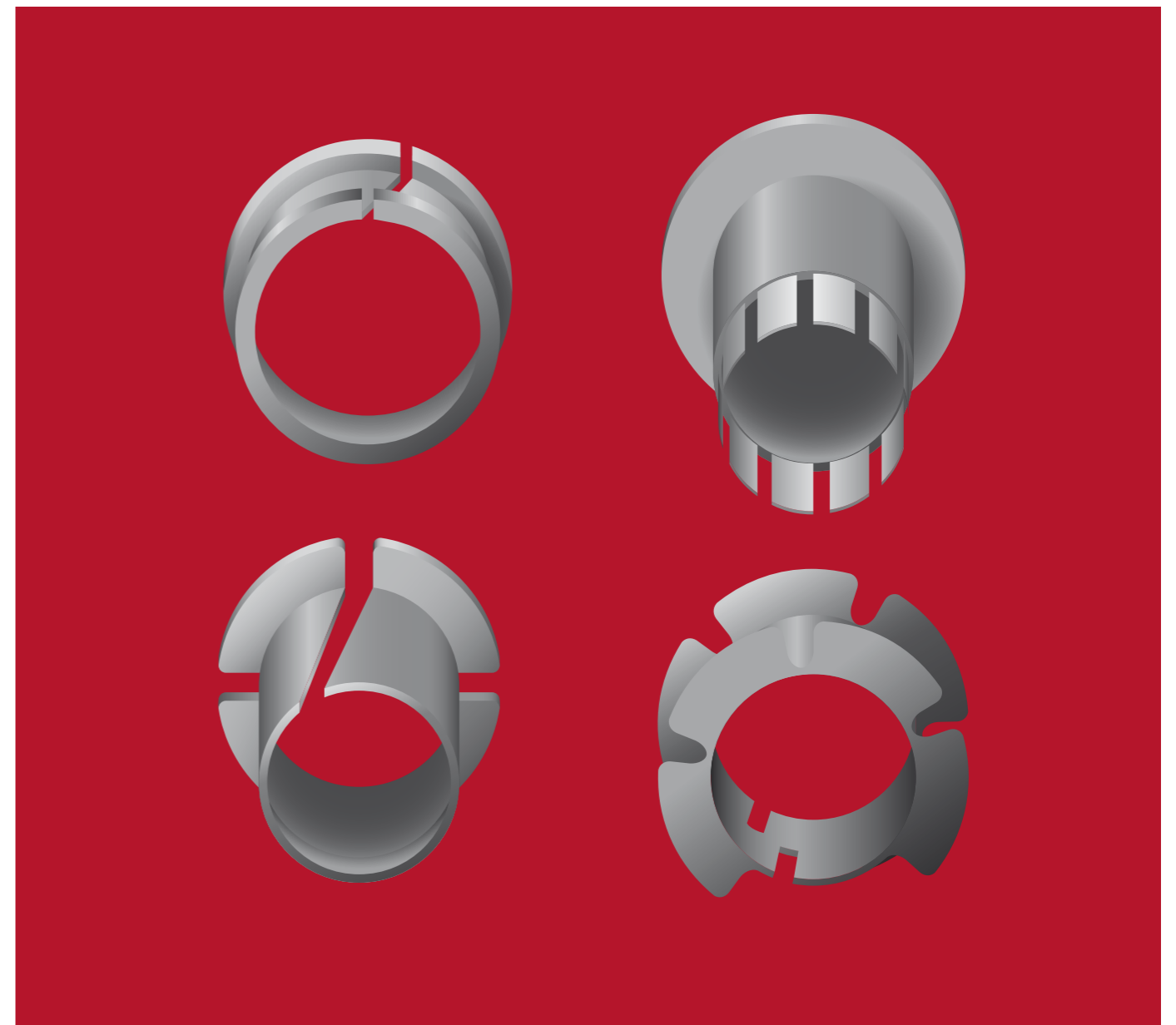
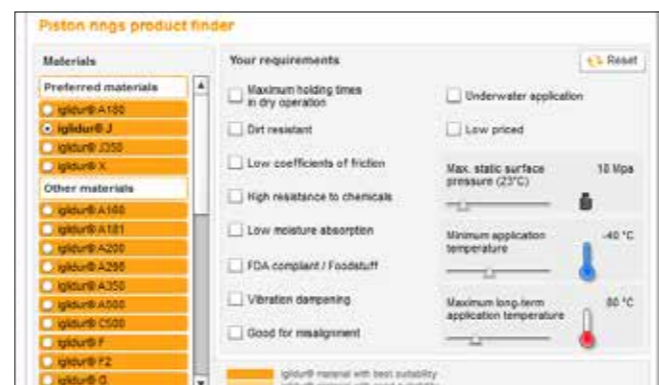
! Our material recommendations for special requirements:

- iglidur® A181: FDA-compliant ▶ Page 401
- iglidur® J350: > +90°C ▶ Page 199
- iglidur® H1: Temperatures up to +200°C ▶ Page 333

i In addition to mechanical processing of existing iglidur® plain bearings to piston rings, we also develop custom-made piston ring solutions for your volume requirements. Talk to us! We will support you with your design and create an appropriate proposal.

Q iglidur® piston rings product finder
Material selection and individual dimensions made easy. With just a few clicks, the piston ring finder can find the optimum iglidur® material and select the appropriate dimensions from the standard catalogue range in order to define a piston ring in a customised width.

▶ www.igus.eu/pistonring-finder



iglidur® – clip bearings

Easy installation

Abrasion-resistant

Predictable service life

Custom versions possible

Lubrication and maintenance-free

Standard range from stock

