



Order key

Type Dimensions [mm]

**M K M-1012-10**

|                   |               |        |            |            |                       |
|-------------------|---------------|--------|------------|------------|-----------------------|
| iglidur® material | <b>Design</b> | Metric | Inner Ø d1 | Outer Ø d2 | Metal sheet thickness |
|-------------------|---------------|--------|------------|------------|-----------------------|

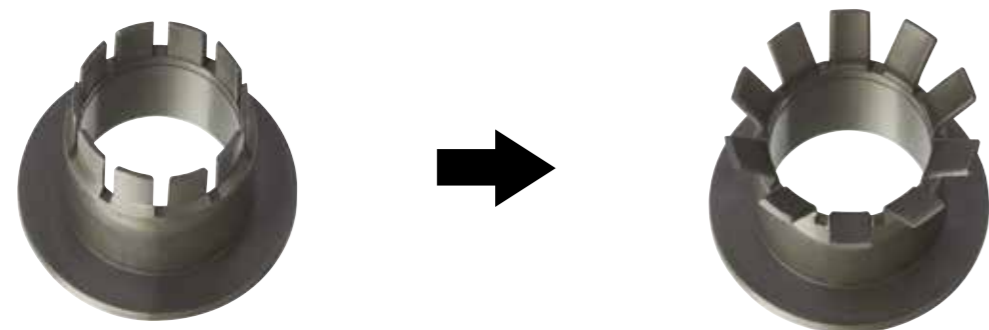
Material:  
iglidur® M250 ▶ Page 107

Sample dimension [mm]

| d1 | d1 tolerance <sup>3)</sup><br>E10 | d2 | d3<br>d13 | b1<br>h13 | b2<br>h13 | b3<br>+0.1/+0.7 | s<br>±0.1 | Part No.           |
|----|-----------------------------------|----|-----------|-----------|-----------|-----------------|-----------|--------------------|
| 10 | +0.025 +0.083                     | 12 | 18        | 14        | 1         | 10              | 0.4       | <b>MKM-1012-10</b> |

<sup>3)</sup> After press-fit. Testing methods ▶ Page 57

Fitting:



Press in, fold down, ready: captive, axial load on both sides



Please contact us if you need a custom-made double flange bearing for your application. We will help you with your design and create an appropriate proposal, drawing on the experience that we have with a large number of custom bearing solutions.



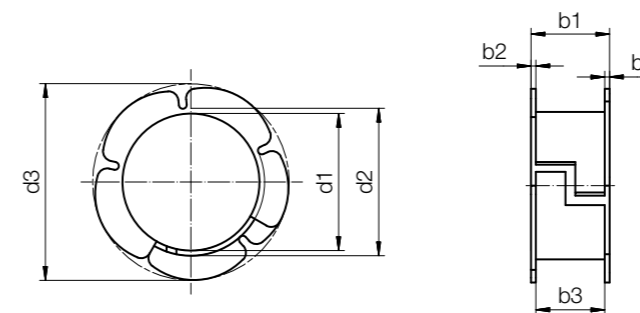
Order key

Type Dimensions [mm]

**M D M-1213-06**

|                   |               |        |            |            |                       |
|-------------------|---------------|--------|------------|------------|-----------------------|
| iglidur® material | <b>Design</b> | Metric | Inner Ø d1 | Outer Ø d2 | Metal sheet thickness |
|-------------------|---------------|--------|------------|------------|-----------------------|

Material:  
iglidur® M250 ▶ Page 107



Sample dimension [mm]

| d1 | d1 tolerance <sup>8)</sup> | d2 | d3   | b1 | b2  | b3  | Part No.           |
|----|----------------------------|----|------|----|-----|-----|--------------------|
| 12 | +0.050 +0.160              | 13 | 16.5 | 7  | 0.5 | 6.0 | <b>MDM-1213-06</b> |

<sup>8)</sup> d1 value is measured with a plug gauge after fitting into a reference housing d2 (+0.005)

Fitting:



Please contact us if you need a custom-made double flange bearing for your application. We will help you with your design and create an appropriate proposal, drawing on the experience that we have with a large number of custom bearing solutions.