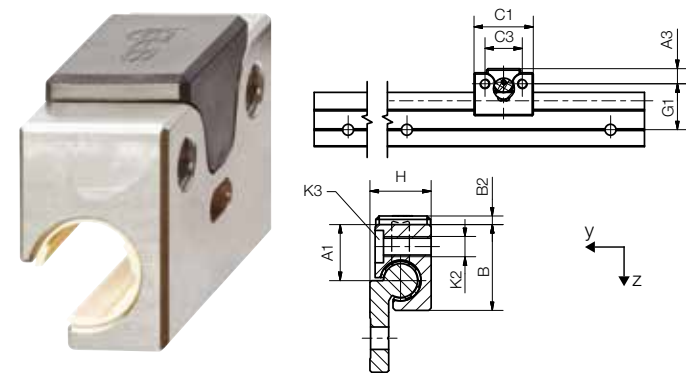


### WJRM-01 with single roller



### Order key

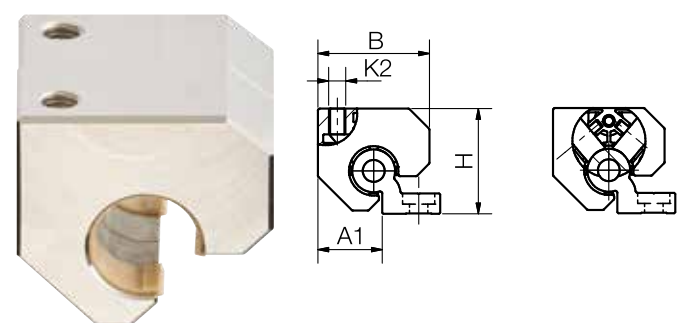
Type	Size	Material
Hybrid roller bearing	Single roller bearing	Size 10
		Material
		ES: Stainless steel (AISI 316Ti)
		ES-FG: Stainless steel precision casting AISI 316
		AL: Aluminium

### Technical data and dimensions [mm]

Part No.	Static load capacity		Dyn. load capacity Cz+ at total running distance [km]				F · v
	Co [N]	10 [N]	100 [N]	200 [N]	Max. [N · m/s]		
WJRM-01-10-ES-FG	250	250	90	50	50		
WJRM-01-10-AL	250	250	90	50	50		

Part No.	Coefficient of friction		Weight [g]	A1	A3	B	B2	C1	C3	G1	H	K2	K3 for screw
	z-direction [μ]	y-direction [μ]											
WJRM-01-10-ES-FG	< 0.1	-	57	16.5	6.5	26	2.5	35	22	27	18	M6	M5
WJRM-01-10-AL	< 0.1	-	18	16.5	6.5	26	2.5	35	22	27	18	M6	M5

### WJRM-21 with double roller



### Order key

Type	Size	Material
Hybrid roller bearing	Double roller bearing	Size 20
		Material
		ES: Stainless steel (AISI 316Ti)
		ES-FG: Stainless steel precision casting AISI 316

### Technical data and dimensions [mm]

Part No.	Static load capacity		Dyn. load capacity Cz+ at total running distance [km]				F · v
	Co [N]	10 [N]	100 [N]	200 [N]	Max. [N · m/s]		
WJRM-21-20-ES-FG	840	840	300	150	80		

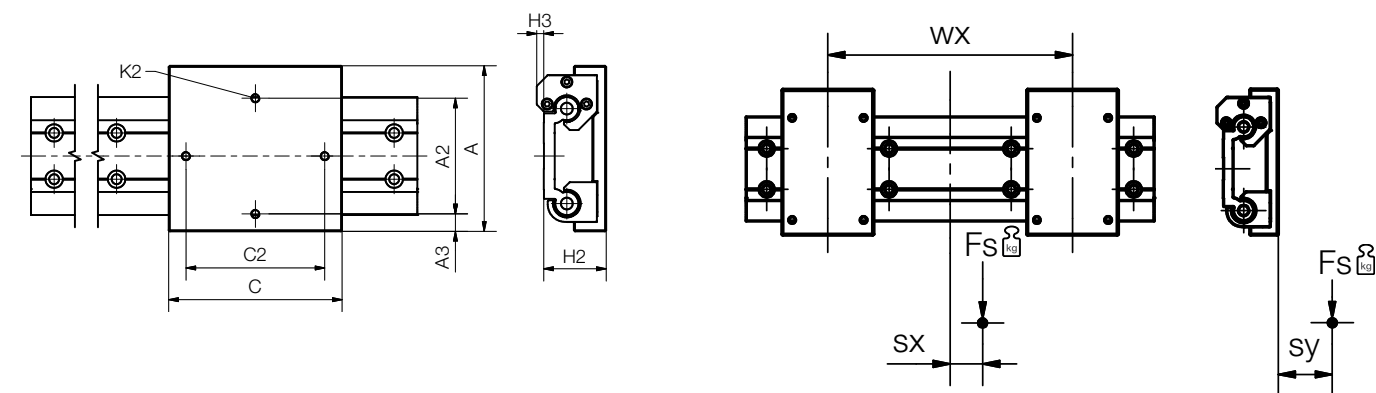
Part No.	Coefficient of friction		Weight [g]	A1	A3	B	C1	C3	G1	H	K2	K3 for screw
	z-direction [μ]	y-direction [μ]										
WJRM-21-20-ES-FG	-	< 0.1	504	30	9	52	52	34	38	49	M8	M5



### Order key

Type	Size	Option
drylin® W	Hybrid carriage	Double roller bearing
		Installation size
		Compact

Options:  
01: Carriage, short design  
15: Carriage, long design



### Technical data and dimensions [mm]

Part No.	A	C	A2	C2	K2	H2	A3	H3	sx min.	sx max.	sy min.	sy max.
	Width	Length				±0.17						
WWR-21-80-01	143	90	100	70	M8	54	15	6	-49	+49	-34	+34
WWR-21-80-15	143	150	100	120	M8	54	15	6	-wx/2	+wx/2	-34	+34

Order example:  
WWR-21-80-01 = Assembled single hybrid carriage as a "door opener" with two single roller hybrid bearings and two double roller hybrid bearings

Can be combined with:

