

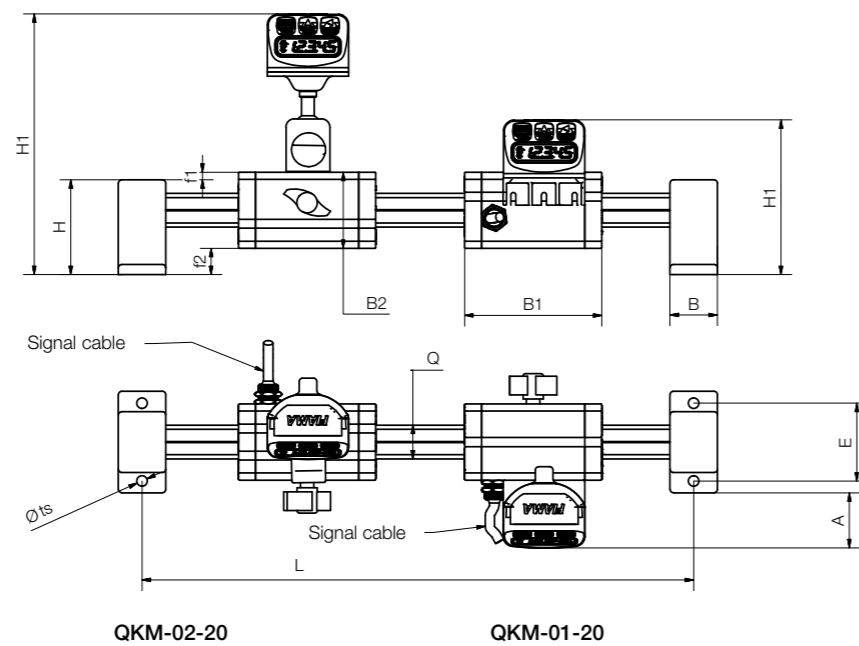
Order key

Type	Option	Size
Q K M - 01 - 20		
Square	Measuring system	Carriage type
	Metric	Installation size

Options:

- 01: Display flexible with angle joint
- 02: Display fixed in place

- Protected magnetic tape
- Attachment options using slot nuts
- Manual clamp on carriage
- Unsupported attachment
- Profile AWMQ-20 max. length 1,500mm
- Sensor integrated in the carriage, saving space
- Technical data ► Page 1190



Dimensions [mm]

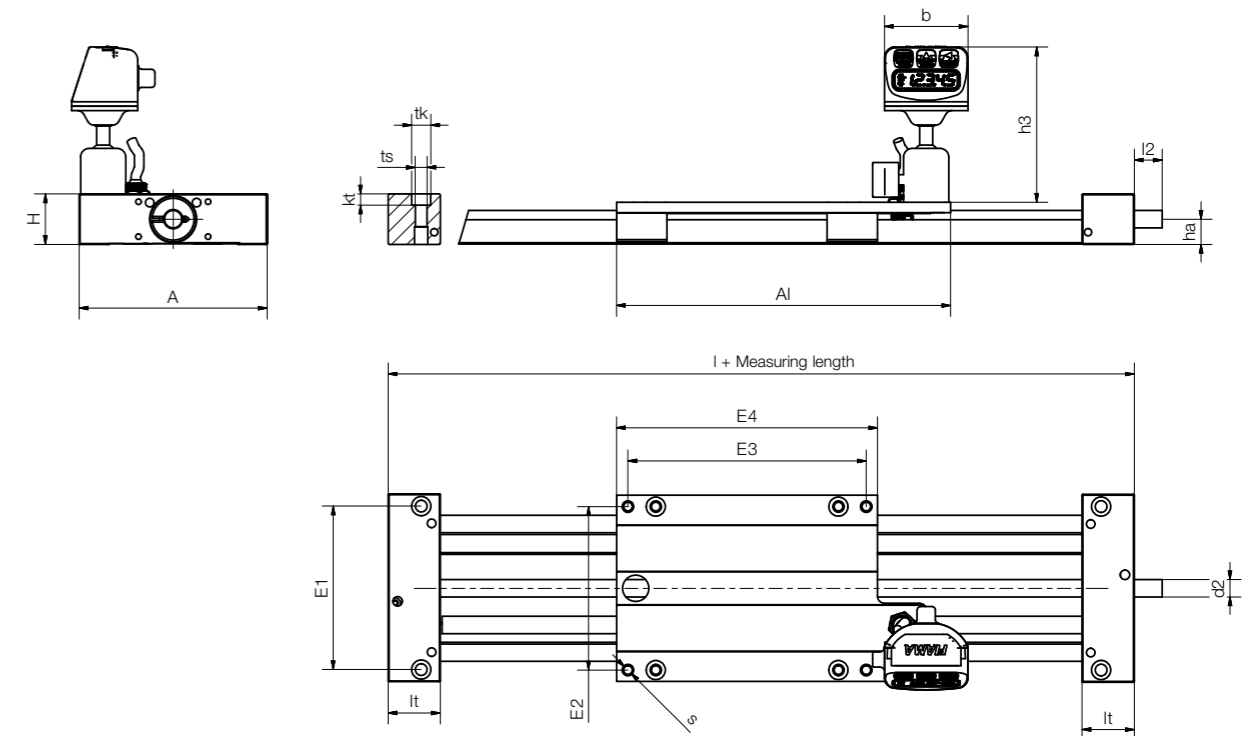
Part No.	M max. [Nm]	L Shaft end support + carriage + stroke	B h7	B1	B2	H	H1	E	Q	ts	f1	f2	A
QKM-01-20	10	28 + 94 + stroke	28	94	45	58	155	46	20	6.2	4.5	15.5	33
QKM-02-20	10	28 + 94 + stroke	28	94	45	58	92	46	20	6.2	4.5	15.5	33



Order key

Type	Size
S L W M - 1080	
drylin® SLW linear module	Measuring system
	Installation size SLW linear module

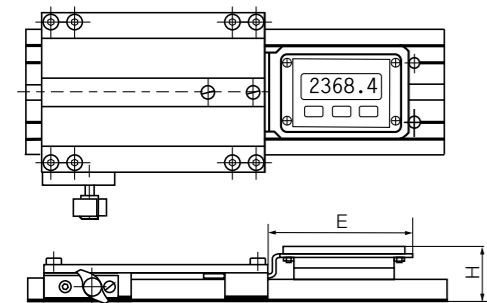
- Sensor integrated in the carriage, saving space
- Operation without mains supply
- Integrated magnetic tape
- Extensive accessories available
- Technical data ► Page 1190
- Technical data drylin® linear module SLW
► page 1383



Dimensions [mm]

Part No.	A	Al	H	E1	E2	E3	E4	I	l2	l3	tk	kt	ts	s	ha	d2	h3	b
SLWM-1080	108	192	29	94	94	137	150	236	17	22	11	6.4	6.8	6.6	14.5	Tr10x2	90	50

WKM2, series 10 and 20



Order key

Type	Design
------	--------

WKM2 -10-80-15-01-R

drylin® W measuring system	Installation size	Rail width	Carriage length	Number of carriages	Display right-mounted
----------------------------	-------------------	------------	-----------------	---------------------	-----------------------

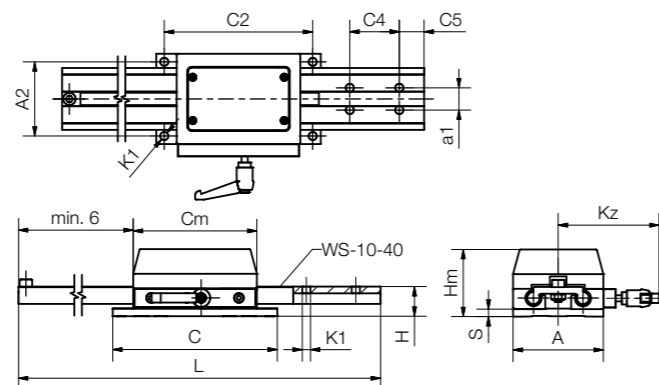
- Lockable carriage
- Display optionally to the right (R) or left (L) of the guide carriage
- Max. rail length 4,000mm (effective measuring length max. 3,757mm)
- Technical data ► Page 1191

Dimensions [mm]

Part No.	drylin® rail profile ⁸⁹⁾	H	E
WKM2-10-80-15-01-L	WS-10-80	36	93
WKM2-10-80-15-01-R	WS-10-80	36	93
WKM2-20-80-15-01-L	WS-20-80	40	93
WKM2-20-80-15-01-R	WS-20-80	40	93

⁸⁹⁾ Profile dimensions ► Page 960

WKM2, series 11



Dimensions [mm]

Part No.	L	C4	C5	a1	C2	A2	K1	C	A	H	S	Cm	Hm	kz
WKM2-11-40	Max. 2,000	40	20	18	120	60	6.6	133	73	24	6	100	54	82

Order key

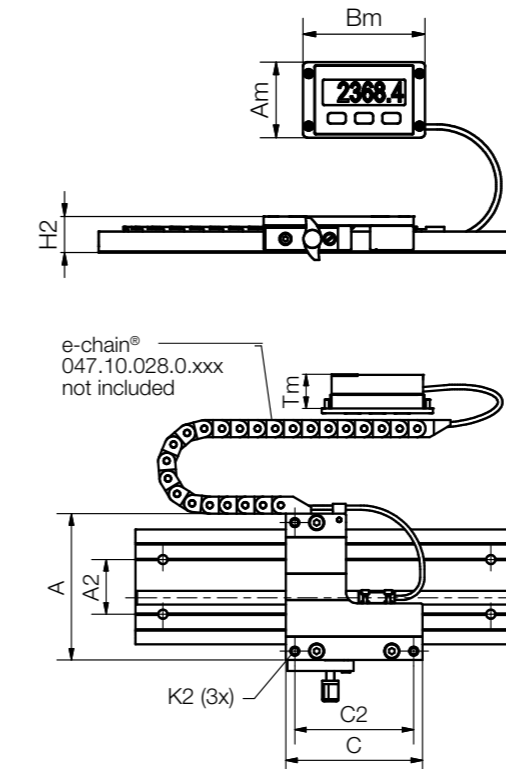
Type	Size
------	------

WKMEDR - 10-80-10-0,3-01-2400

drylin® W measuring system	External Display Assembly right	Installation size	Rail width	Carriage length	Cable length ¹⁶⁵⁾	One measuring carriage per rail	Rail length [mm]
----------------------------	---------------------------------	-------------------	------------	-----------------	------------------------------	---------------------------------	------------------



- Technical data ► Page 1190



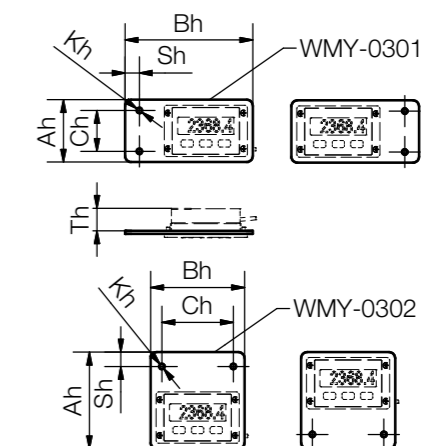
Options:

R: Assembly to the right of the guide carriage

L: Assembly to the left of the guide carriage

¹⁶⁵⁾ Cable length:

Cable length between sensor and display [m] (0.1/0.2/0.3 up to max. 2.0)



Assembly options of the external display

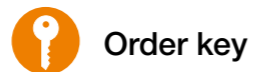
Dimensions [mm]

Part No.	A	C	A2	C2	K2	H2	Am	Bm	Tm
WKMED-□ ⁹⁰⁾ -10-80-10	107	100	94	87	M6	±0.17 24	82	51	25
WKMED-□ ²⁹⁰⁾ -10-80-10	107	100	94	87	M6	24	82	51	25

⁹⁰⁾ Suitable for assembly on the right (R) or left (L)

Bracket dimensions [mm]

Part No.	Ah	Bh	Ch	Sh	Kh	Th
WMY-0301	61	125	40	14	Ø5.4	22
WMY-0302	94.5	92	70	14	Ø5.4	22

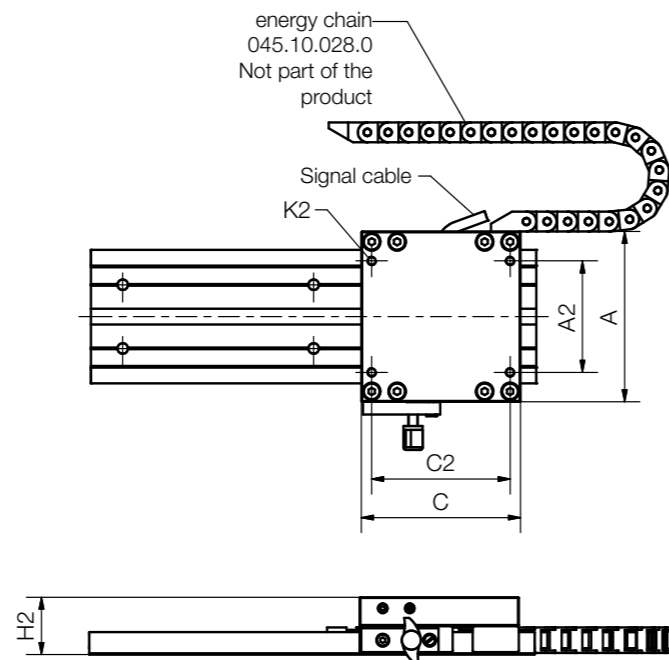


Order key

Type	Size/Design
drylin® W measuring system	WKM EX-10-80-10-2.5-00-01-1000
External data output	
Installation size (shaft Ø)	
Rail width	
Rail length 100mm	
Cable length [m]	
Sensor version	
Number of carriages	
Rail length [mm]	



- At 4 edge triggering (setting parameters of the display or control system, for example. IW4) and +20°C ambient temperature:
resolution: $\pm(0.025 + 0.02 \cdot L)$ L = measurement length in metres; repeatability: $\pm 0.025\text{mm}$
- At 1 edge triggering (setting parameters of the display or control system, for example. IW1) and +20°C ambient temperature:
resolution: $\pm(0.1 + 0.02 \cdot L)$ L = measurement length in metres; repeatability: $\pm 0.025\text{mm}$
- Small sensor with integrated evaluation electronics
- Output signals: Differential mode sustained short circuit-proof with inverted signals (A, Av, B, B/, Z, Z/)
- Technical data ► Page 1191



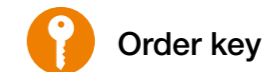
Dimensions [mm]

Part No.	H2	C	C2	A	A2	K2	Resolution
WKMEX-10-80	36	100	87	107	70	M6	0.1

Versions

Sensor version	Nominal voltage	Output power	Max. length of signal cable
00	10-30 V	HTL 10-30 V	30m
01	10-30 V	TTL Line Driver	50m
11	5 V	TTL Line Driver	10m

To place an order, please add the sensor type to the part number. Order example: WKMEX-10-80-00

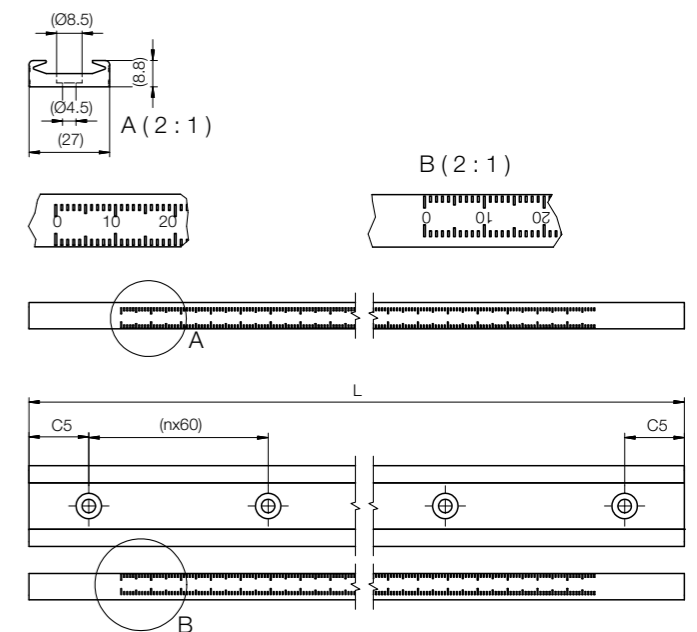


Order key

Type	Size
drylin® pre-load prism slides	NKV - 27 - MES - 1000
Installation size	
Measuring system	
Measuring length	



- econ measuring system based on drylin® pre-load prism slide
- Carriages with individually adjustable pre-load in 4 different strengths
- Including scaling on the rail
- Cost-effective, durable, practical
- Guaranteed holding force from 1.3N to 11.7N
- Due to stop motion pre-loading, the measuring system is suitable for vertical installation without any further clamping



Dimensions [mm]

Part No.	A	AI	H	E1	E2	E3	I*
	± 0.2	-0.1	± 0.2	± 0.15	± 0.15	± 0.15	
NKV-27-MES-1000	27	35/60	22	15	18	30	35/53/60/78
NKV-27-MES-2000	27	35/60	22	15	18	30	35/53/60/78

Part No.	hw	lt	lb	ts	tg	Average displacement force [N]	K1
	± 0.25	± 0.2					
NKV-27-MES-1000	22.5	20.5	5.5	3.5	M3	2-15	4.5
NKV-27-MES-2000	22.5	20.5	5.5	3.5	M3	2-15	4.5