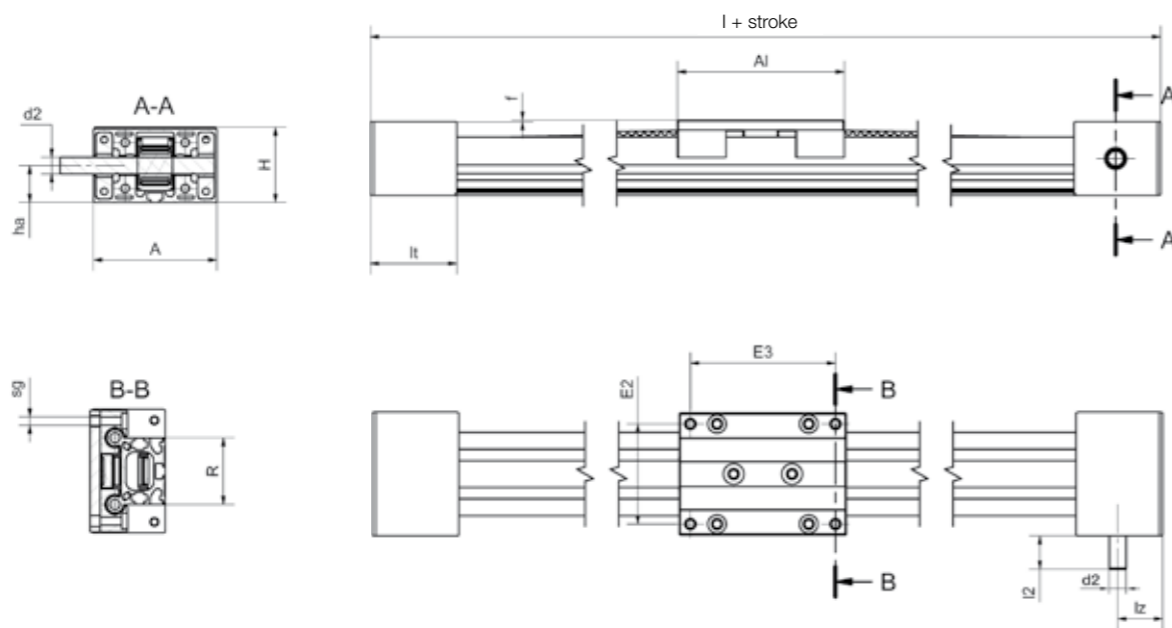
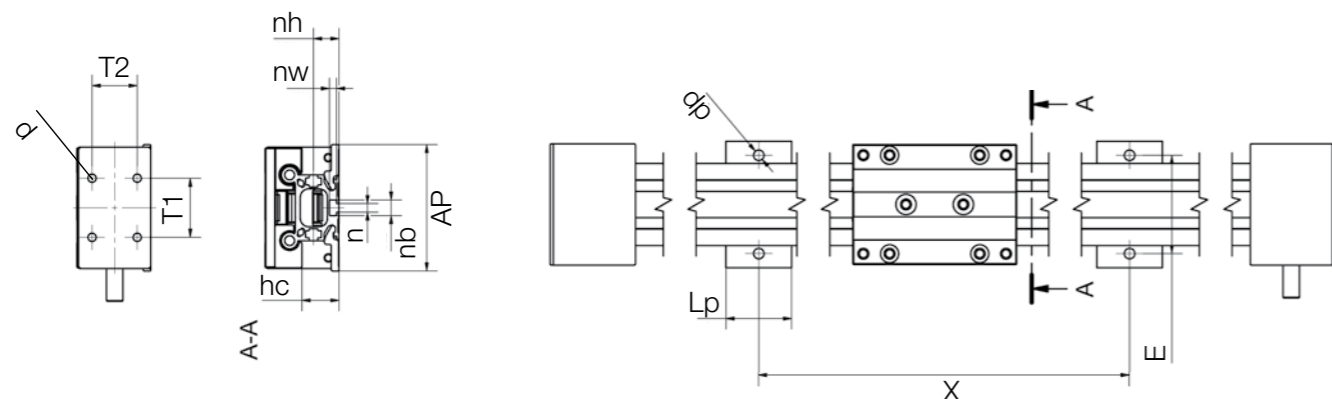


- Fast positioning of small loads
- Quiet operation and flat design
- Drive pin on one or both sides
- Linear carriages available in different lengths (except for econ version)
- Configurable with motor as a ready-to-install linear drive
- Specialist in deep-freeze, underwater and spray-water areas ► **Page 1431**



Connecting dimensions



Order key

Order example

ZLW-0630-02-B



Options:

Type

02 = With deep groove ball bearings

Design

E = econ series (0630/1040)
B = Basic series (0630/1040)
S = Standard series (all sizes)

Order key specialists

Order example

ZLW-1040-LT-02-S



Options:

Variation

LT = For deep-freeze applications down to -30°C
UW = For underwater applications
SW = For spray-water applications

Type

02 = With deep groove ball bearings

Design

S = Standard series

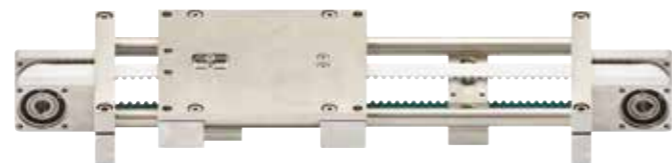
Dimensions [mm]

Part No.	A	AI	H	E2	E3	I	R	f	lt	sg	ha	hc	lz	l2	d2
	-0.3			±0.15	±0.15		±0.15		±0.3						h9
ZLW-0630-02	54	60	31	45	51	144	30	3	42	M4	14	22.5	20.5	20	8
ZLW-0660	85	100	31	76	91	184	61	3	42	M4	14	22.5	20.5	19.5	8
ZLW-1040-02	74	100	44	60	87	204	40	1	52	M6	22	22.5	27	20	10
ZLW-1040-LT-02-S	74	100	44	60	87	204	40	1	52	M6	22	22.5	27	20	10
ZLW-1040-UW-02-S	74	100	44	60	87	204	40	1	52	M6	22	22.5	27	20	10
ZLW-1040-SW-02-S	74	100	44	60	87	204	40	1	52	M6	22	22.5	27	20	10
ZLW-1080-02	90	100	44	94	87	204	74	1	52	M6	22	22.5	24.5	12	10
ZLW-1660-02	104	100	72	86	82	252	60	2	76	M8	43	22.5	38	20	14

Connecting dimensions [mm]

Part No.	X	E	AP	Lp	dp	n	nb	nw	nh	T1	T2	d
		±0.2	-1.0							±0.25	±0.25	
ZLW-0630-02 ¹⁰⁹⁾	variable	40	52	15	5.5	-	-	4.3	7	20	21	3.2
ZLW-0660	variable	40	52	15	5.5	5.2	9.5	4.3	7	20	21	3.2
ZLW-1040-02	variable	60	78	40	6.4	5.2	9.5	4.3	15.5	36	26.5	5.0
ZLW-1040-LT-02-S	variable	60	78	40	6.4	5.2	9.5	4.3	15.5	36	26.5	5.0
ZLW-1040-UW-02-S	variable	60	78	40	6.4	5.2	9.5	4.3	15.5	36	26.5	5.0
ZLW-1040-SW-02-S	variable	60	78	40	6.4	5.2	9.5	4.3	15.5	36	26.5	5.0
ZLW-1080-02	variable	94	111	40	6.4	5.2	9.5	4.36	15.5	36	27	M6
ZLW-1660-02	variable	100	122	40	9	10	15.4	13	27.6	65	60	M5

¹⁰⁹⁾ Basic version: 6mm square, plastic adapter for pin diameter 10mm included



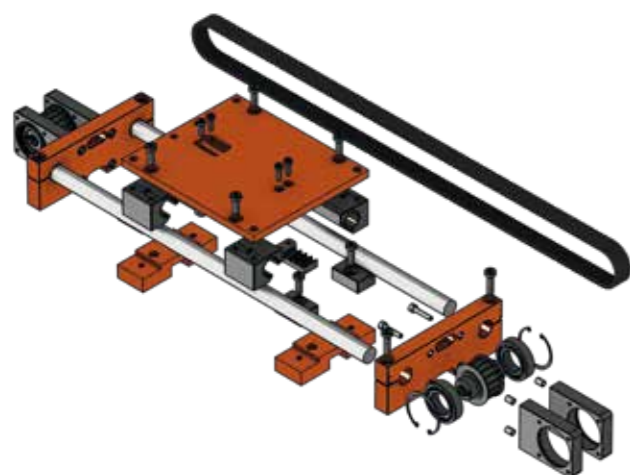
Aluminium version

Stainless steel version

- High speed with ball bearing supported drive shaft
- Robust wide round belt
- Central belt adjustment on the carriage
- Based on lubrication-free drylin® W linear guide
- Variable motor connection due to solid and hollow shafts



ZLWA design with exchangeable liners



Technical data

Part No.	Max. stroke length		Transmission [mm/U]	Tooth profile	Toothed belt material	Toothed belt tension [N]
	-ES [mm]	-AL [mm]				
ZLW-10120 ¹⁶⁶⁾	2,000	2,000	75	3M	Neoprene with fibre glass	200
ZLW-10160 ¹⁶⁶⁾	2,000	2,000	75	3M	Neoprene with fibre glass	200
ZLW-10200 ¹⁶⁶⁾	2,000	2,000	75	3M	Neoprene with fibre glass	200
ZLW-20120	2,500	3,000	144	8M	PU with stainless steel reinforcement	750
ZLW-20160	2,500	3,000	144	8M	PU with stainless steel reinforcement	750
ZLW-20200	2,500	3,000	144	8M	PU with stainless steel reinforcement	750

¹⁶⁶⁾ Option for WJ200UMA pillow blocks with exchangeable liners, ZLWA-□

Order key

Order example

ZLW A -20120

Options:

- Axis distance
- Design
- Drive pin

120 = 120mm
160 = 160mm
200 = 200mm

AL = Aluminium
ES = Stainless steel

Carriage length
200 = 200mm

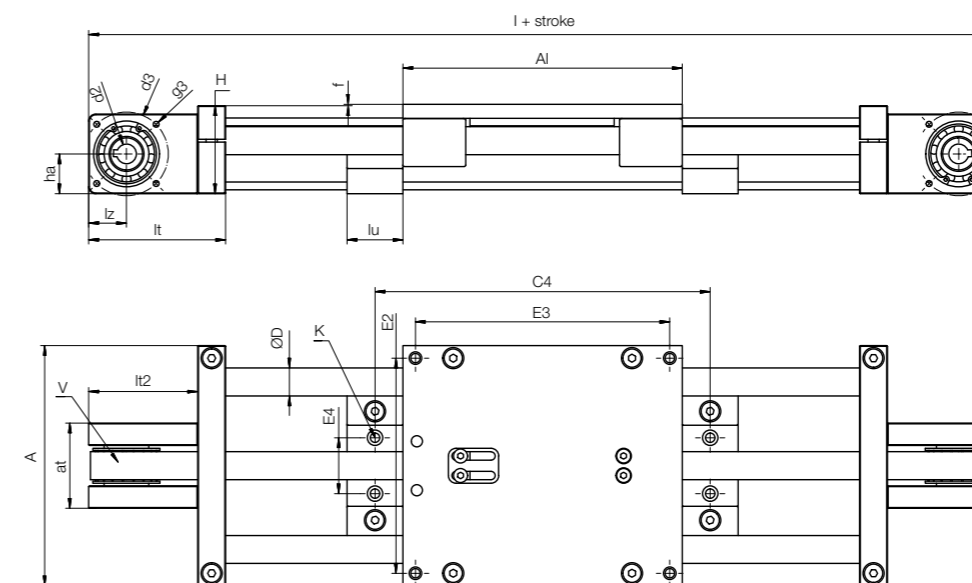
Hollow shaft
Stroke length
max. 3,000mm (AL)
max. 2,500mm (SS)

Options:

Axis distance
120 = 120mm
160 = 160mm
200 = 200mm

Design
AL = Aluminium
ES = Stainless steel

Drive pin
Hollow shaft
Stroke length
max. 3,000mm (AL)
max. 2,500mm (SS)

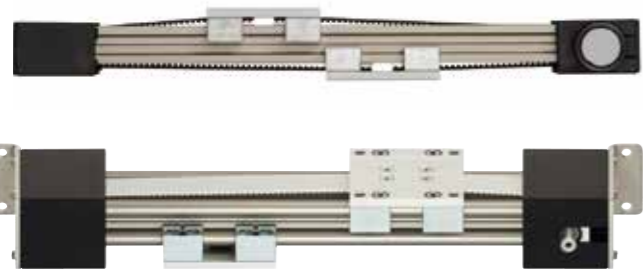


Dimensions [mm]

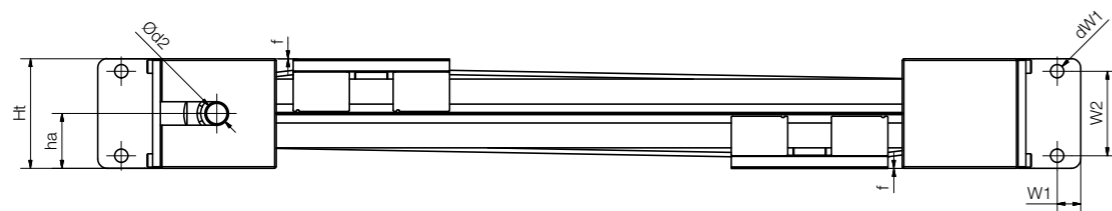
Part No.	A	Al	H	E2	E3	E4	C4	f	lt	ha	lz	l	d2 H7
ZLW-10120	153	150	40	140	137	40	240	1	74	18.0	18	198	10
ZLW-10160	193	150	40	180	177	90	240	1	74	18.0	18	198	10
ZLW-10200	233	150	40	220	217	120	240	1	74	18.0	18	198	10
ZLW-20120	172	200	63	154	182	40	240	-	98	28.5	27	396	14
ZLW-20160	212	200	63	194	182	80	240	-	98	28.5	27	396	14
ZLW-20200	252	200	63	234	182	120	240	-	98	28.5	27	396	14

Part No.	d3	g3	D	K For DIN912 - M6	at	lt2	lu	V [mm/rev]
ZLW-10120	38	M4	10	M6 ¹⁵⁸⁾	43	59	20	75
ZLW-10160	38	M4	10	M6 ¹⁵⁸⁾	43	59	20	75
ZLW-10200	38	M4	10	M6 ¹⁵⁸⁾	43	59	20	75
ZLW-20120	60	M5	20	M8	61	78	40	144
ZLW-20160	60	M5	20	M8	61	78	40	144
ZLW-20200	60	M5	20	M8	61	78	40	144

¹⁵⁸⁾ For DIN912 - M5



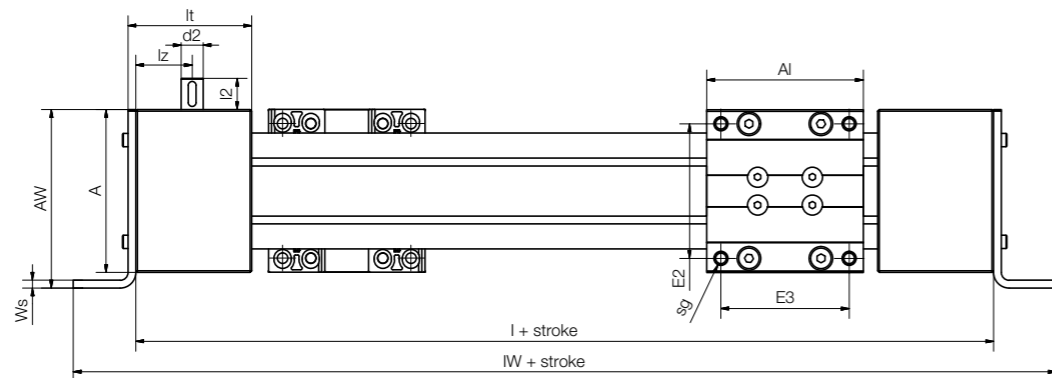
- Quick reverse positioning
- Fast right/left adjustment
- Available as standard and basic version
- Incl. angle flange for fixing
- Individual stroke lengths up to max. 3,000mm
- Radial loads up to 200N



Angle flange alignment:

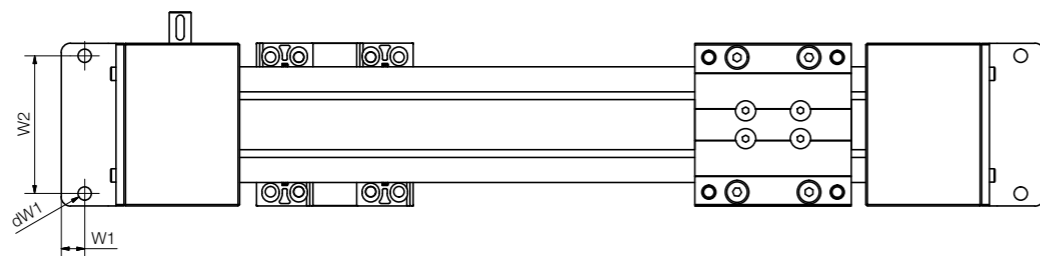
Option 02

mounted on the side,
ZLW alignment on
the edge



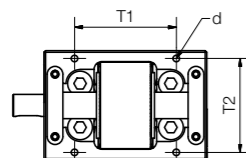
Option 04

mounted horizontally,
ZLW alignment horizontal



Option 03

mounted on the front



Order key



Order example

ZLW-1040-OD-02



Options:

Design

OD = Right/left opposite drive

Type

02 = With deep groove ball bearings

Dimensions [mm]

Part No.	A	AI	H	Ht	E2	E3	L	R	f	lt	sg	ha	lz	Max. stroke length
	-0.3				±0.15	±0.15		±0.15		±0.3				[mm]
ZLW-0630-OD ¹⁰⁹⁾	54	60	31	28	45	51	144	30	3	42	M4	14	20	1,000
ZLW-1040-OD	74	100	45	44	60	87	204	40	1	52	M6	22	27	1,500
ZLW-1660-OD-02	104	100	70	70	86	82	248	58	0	79	M8	35	36	3,000
ZLW-1660-OD-03	104	100	70	70	86	82	248	58	0	79	M8	35	36	3,000
ZLW-1660-OD-04	104	100	70	70	86	82	248	58	0	74	M8	35	36	3,000

Part No.	l2	d2	d	T1	T2	Ws	W1	W2	dw1	IW	AW
		h9		±0.25	±0.25						
ZLW-0630-OD ¹⁰⁹⁾	20	8	4	20	21	2	20	2	5.5	260	60
ZLW-1040-OD	20	10	5	36	26.5	3	25	3	6.6	296	80
ZLW-1660-OD-02	20	14	M5-10 deep	65	60	5	15	54	8.5	328	114
ZLW-1660-OD-03	20	14	M5-10 deep	65	60	5	15	88	8.5	328	75
ZLW-1660-OD-04	20	14	M5-10 deep	65	60	5	-	-	-	248	70

¹⁰⁹⁾ Basic version: 6mm square, plastic adapter for pin diameter 10mm included

Tandem toothed belt axis



Order key



Order example

ZLWT-10160



- Addition to the tandem toothed belt axis installation size 10/20
- Compact tandem toothed belt axis with two drive belts in one unit
- Two carriages can be controlled synchronously or independently
- With drylin® W exchange bearings for fast bearing exchange on the rail
- Can be supplied ready-to-connect with igus® motors and drylin® D1 drive motor control system

Technical data

Part No.	Max. stroke length [mm]	Transmission [mm/U]	Tooth profile	Drive belt		Weight [kg]	Additional (per 100mm) [kg]
				Material	Tension [N]		
ZLWT-10160	2,000	75	3M	Neoprene with fibre glass	200	4.0	0.25
ZLWT-10200	2,000	75	3M	Neoprene with fibre glass	200	4.5	0.30
ZLWT-20200	3,000	144	8M	PU with stainless steel reinforcement	750	11.0	0.50
ZLWT-20300	3,000	144	8M	PU with stainless steel reinforcement	750	12.5	0.65

Dimensions [mm]

Part No.	A	AI	H	E2	E3	E4	C4	f	lt	ha	lz	l	d2 h7
ZLWT-10160	193	150/200/250	40	180	AI-13	90	240	1	74	18.0	18	448	10
ZLWT-10200	233	150/200/250	40	220	AI-13	120	240	1	74	18.0	18	448	10
ZLWT-20200	252	200/250/300/350	63	234	AI-18	120	240	1	98	28.5	27	596	14
ZLWT-20300	352	200/250/300/350	63	334	AI-18	200	240	1	98	28.5	27	596	14

Part No.	d3	g3	D	K		at	lt2	lu	V [mm/rev]
				For DIN912 – M6					
ZLWT-10160	38	M4	10	M6	107	59	20	75	
ZLWT-10200	38	M4	10	M6	107	59	20	75	
ZLWT-20200	60	M5	20	M8	122	78	40	144	
ZLWT-20300	60	M5	20	M8	122	78	40	144	

Linear axes with motor from stock – available in 24hrs



DLE-SA-0001



DLE-SA-0002



DLE-SA-0003

Available in 24 hours:

drylin® linear axes with motor

igus® delivers ready-to-install, preconfigured linear modules (drive: lead screw or toothed belt) from stock within 24 hours.

You simply choose between 3 sizes, 3 stroke lengths and 3 stepper motors ... and the system is delivered in 24 hours after you place your order.

- Drive: Lead screw or toothed belt
- Completely lubrication-free
- Stepper motors with stranded wires
- Pre-assembled and tested
- Basis drylin® ZLW and SAW linear axes

Technical data

Part No.	Installation size	Carriage length	Stroke length	Motor type	Max. static load capacity	
					axial [N]	radial [N]
DLE-SA-0001	ZLW-0630 basic	60	300	NEMA17 stranded wires	35	140
DLE-SA-0002	ZLW-1040 basic	100	500	NEMA23 stranded wires	100	400
DLE-SA-0003	ZLW-1080 standard	100	1,000	NEMA23XL stranded wires	150	600



Further information about the motors

► Page 1518



Order key



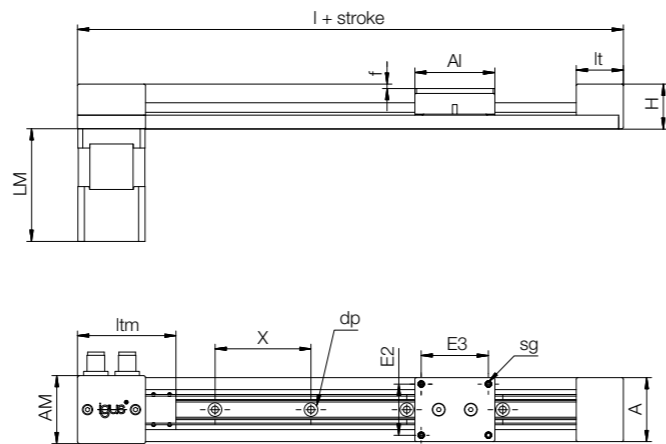
Order example

ZLN-40

Toothed belt axis

Installation size

- Motor can now be mounted on the bottom as well as on top
- Low-profile, 27mm height
- Vertical load from 30N
- Ready-to-install with NEMA stepper motors or BLDC/DC motors
- Delivery from 24 hours

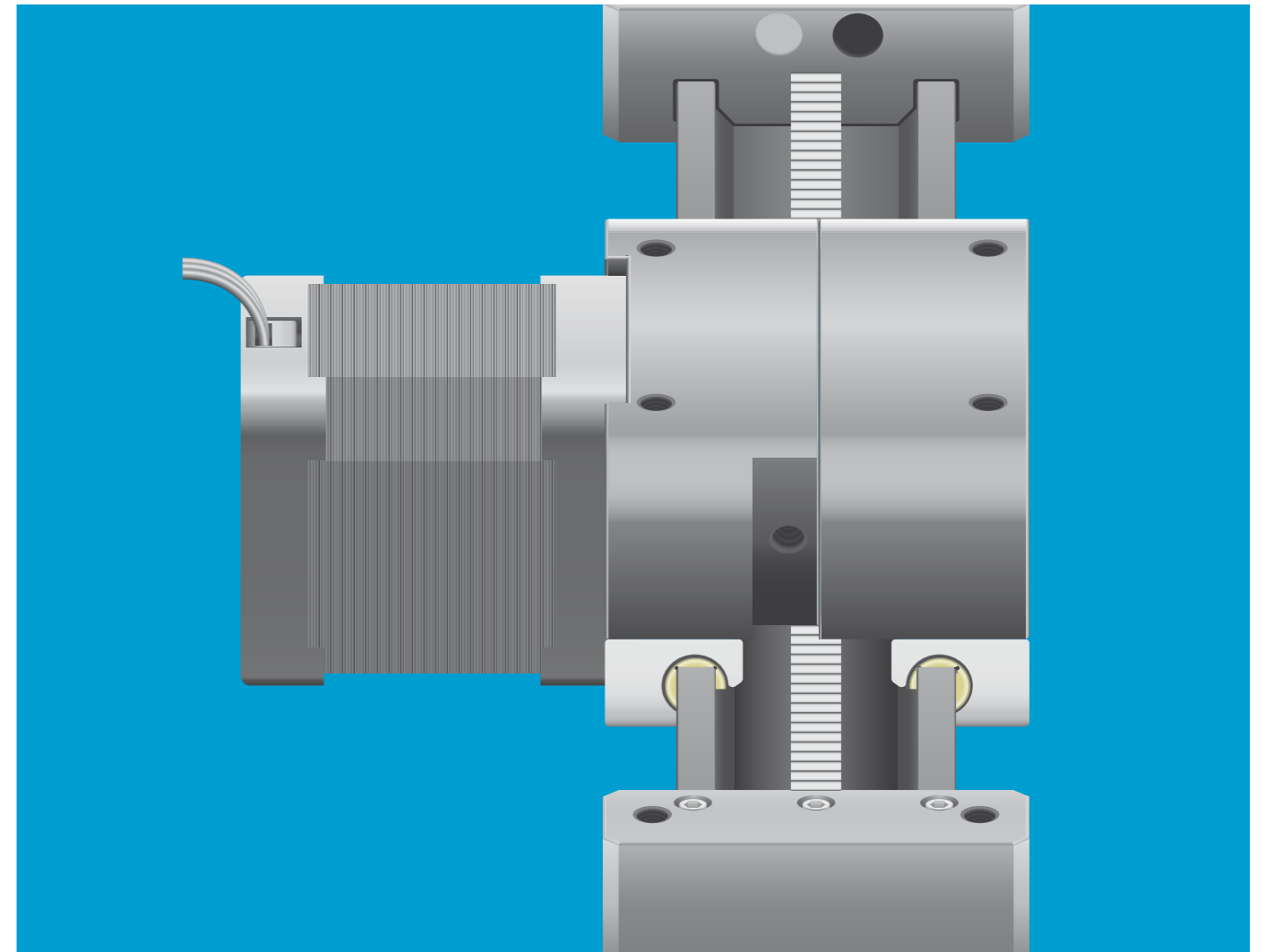


Technical data

Part No.	Max. stroke length [mm]	Weight [kg]	Additional [kg] (per 100mm)	Max. static load capacity		Shaft end support material [Nm]
				Axial [N]	radial [N]	
ZLN-40	750	0.24	0.05	30	80	0.15

Dimensions [mm]

Part No.	A	Al	H	X	E2	E3	AM	LM	lt	ltm	dp	sg	l	v	f
ZLN-40	40	50	28	60	32	42	42.5	70	30	61.5	4.5	M3	141.5	60	2.8



drylin® electric drive technology – Cantilever axis

High dynamics

Drive: Rack or toothed belt

Lightweight design

For z-axis in multi-axis gantries

Lubrication and maintenance-free

