

# drylin® ZLW linear modules | Product range

## Stainless steel toothed belt modular drive system



Order key

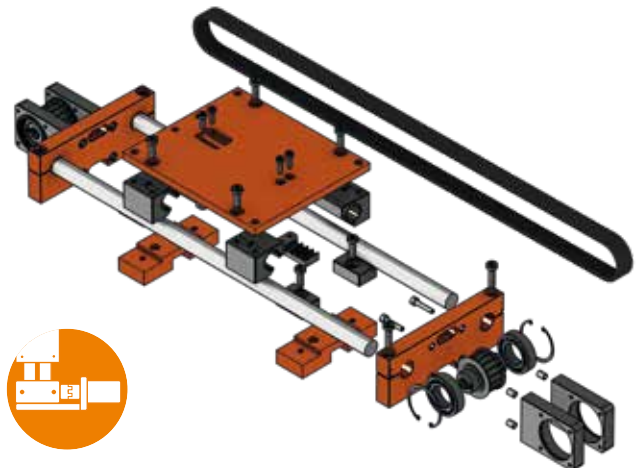
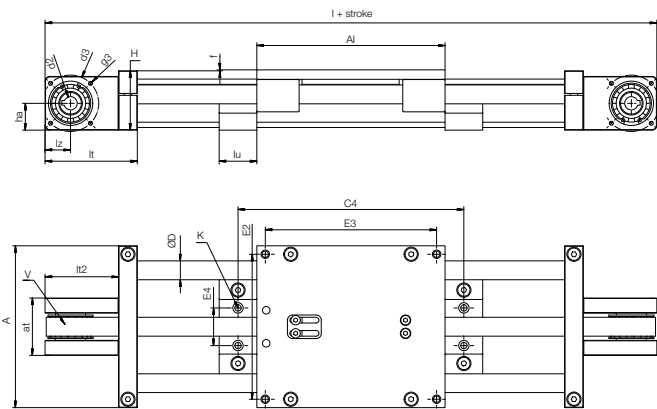
Type	Size	Options
------	------	---------

ZLW-20120-ES-02-S-200-H-2000

Toothed belt axis	Installation size	Axis distance	Design	Version	Version	Carriage length	Drive pin	Stroke length
-------------------	-------------------	---------------	--------	---------	---------	-----------------	-----------	---------------



- High speed possible with ball bearings in end support
- Robust wide round belt
- Central belt adjustment on the carriage
- Based on lubrication-free drylin® W linear guide
- Variable motor connection due to solid and hollow shafts



### Technical data

Part No.	Max. stroke length [mm]	Transmission [mm/U]	Tooth profile	Drive belt	
				-material	-tension [N]
ZLW-20120-ES	2,500	144	8M	PU with steel cable	750
ZLW-20160-ES	2,500	144	8M	PU with steel cable	750
ZLW-20200-ES	2,500	144	8M	PU with steel cable	750

### Dimensions [mm]

Part No.	A	Al	H	E2	E3	E4	C4	f	lt	ha	lz	l	d2 h7	d3	g3	D	K For DIN912 – M6	at	lt2	lu	V [mm/rev]
ZLW-20120-ES	172	200	63	154	182	40	240	–	98	28.5	27	396	14	60	M5	20	M8	61	78	40	144
ZLW-20160-ES	212	200	63	194	182	80	240	–	98	28.5	27	396	14	60	M5	20	M8	61	78	40	144
ZLW-20200-ES	252	200	63	234	182	120	240	–	98	28.5	27	396	14	60	M5	20	M8	61	78	40	144