



Order key



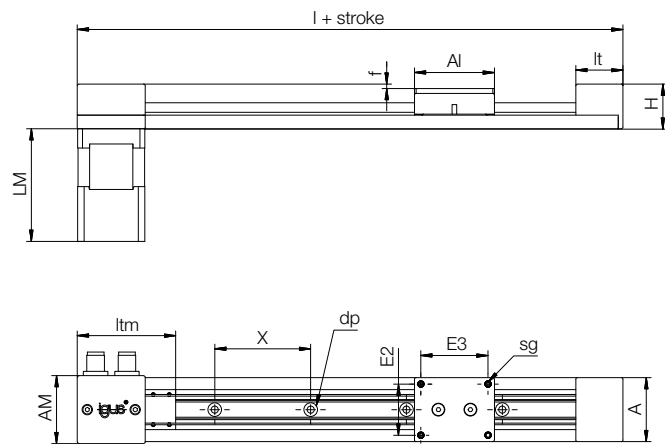
Order example

ZLN-40

Toothed belt axis

Installation size

- Motor can now be mounted on the bottom as well as on top
- Low-profile, 27mm height
- Vertical load from 30N
- Ready-to-install with NEMA stepper motors or BLDC/DC motors
- Delivery from 24 hours

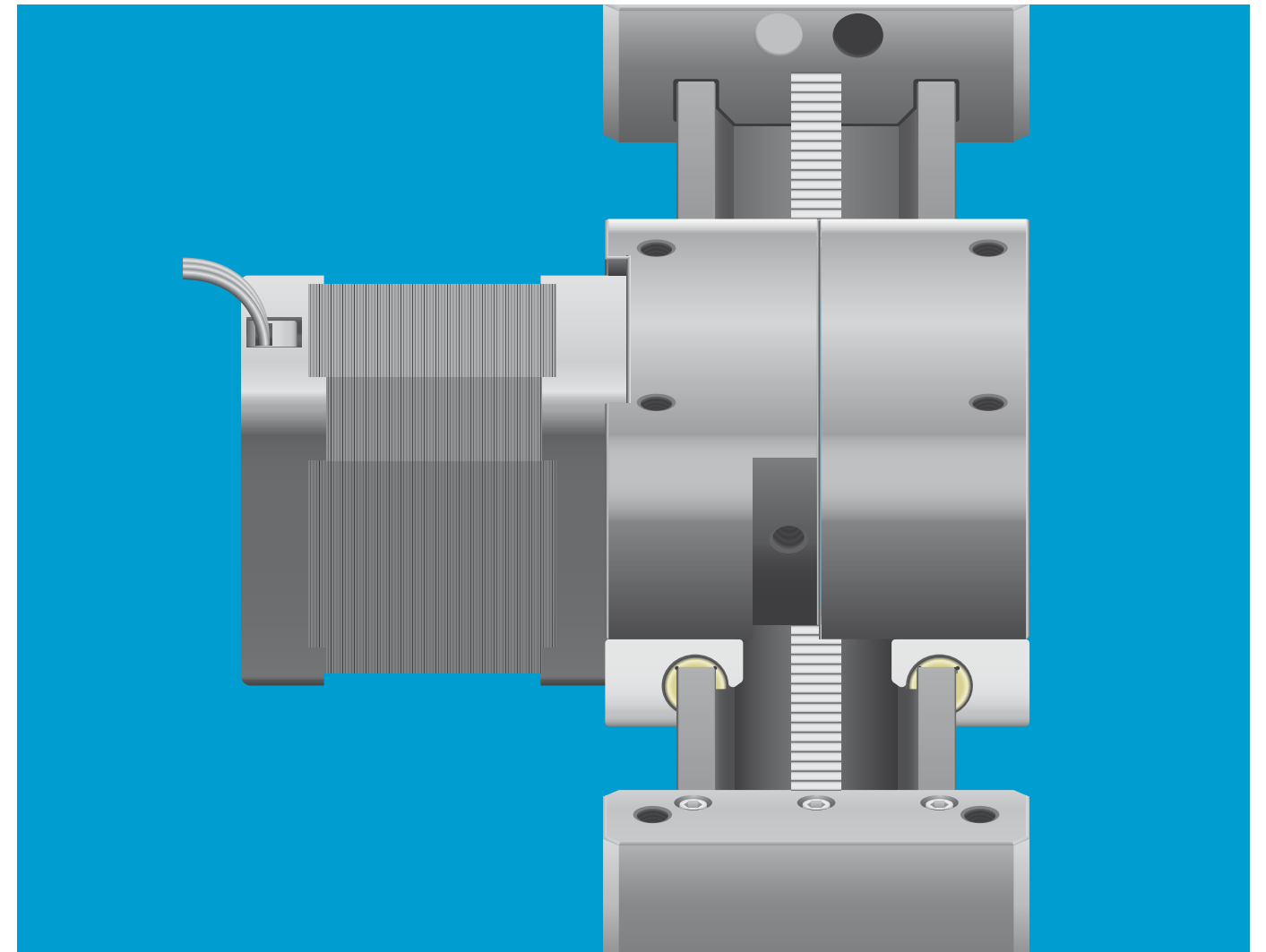


#### Technical data

Part No.	Max. stroke length [mm]	Weight [kg]	Additional [kg] (per 100mm)	Max. static load capacity		Shaft end support material [Nm]
				Axial [N]	radial [N]	
ZLN-40	750	0.24	0.05	30	80	0.15

#### Dimensions [mm]

Part No.	A	Al	H	X	E2	E3	AM	LM	lt	ltm	dp	sg	l	v	f
ZLN-40	40	50	28	60	32	42	42.5	70	30	61.5	4.5	M3 $\nabla$	141.5	60	2.8



## drylin® electric drive technology – Cantilever axis

High dynamics

Drive: Rack or toothed belt

Lightweight design

For z-axis in multi-axis gantries

Lubrication and maintenance-free

