



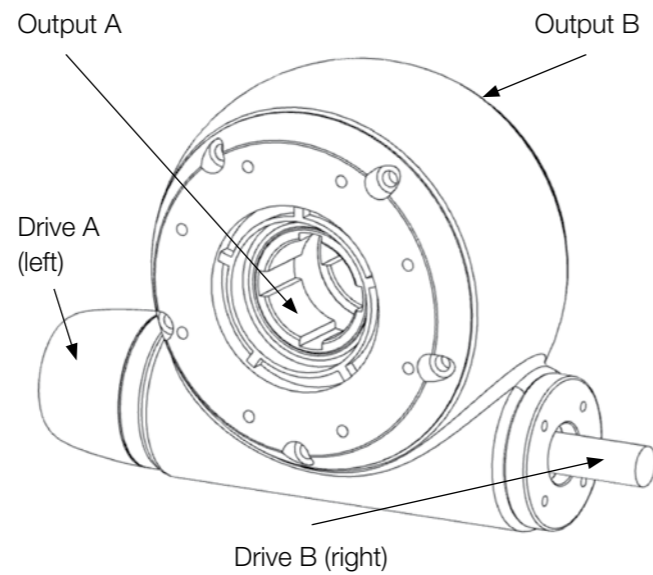
Joint



Joint with turntable



Joint with coupling



Technical data

Designation	Transmission	Self-locking	Drive torque [Nm]	Moment of breakage [Nm]	F stat. axial [N]	Backlash [°]
Joint	1:4	–	2.5	15	250	< 0.5
Joint with turntable	1:32	–	2.5	20	250	< 0.5
Joint with coupling	1:64	Yes	1.5	10	250	< 0.5

Technical data

Designation	Drive A	Output A	Drive B
Joint			
HR	–	–	Drive pin
HK/PA/HR	–	–	Drive pin
HR	–	–	Profile
HK/PA/HR	–	–	Profile
Profile	–	–	Profile
Joint with turntable			
HR	–	Turntable	Drive pin
HK/PA/HR	–	Turntable	HR
HR	–	Turntable	Profile
HK/PA/HR	–	Turntable	Profile
Profile	–	Turntable	Profile
Joint with coupling Ø 4–12mm			
HR	–	Coupling	Drive pin
HK/PA/HR	–	Coupling	Drive pin
HR	–	Coupling	Profile
HK/PA/HR	–	Coupling	Profile
Profile	–	Coupling	Profile



Delivery time
2–3 days



RL-A10.0105



Order example
RL-A10.0105

Apiro® joint with drive pin
and hand wheel (HR)



RL-A10.0148.100



Order example
RL-A10.0148.100

Apiro® joint with 100mm profile, manual clamp
(HK), position indicator (PA) and hand wheel (HR)



RL-A10.0160.100.100



Order example
RL-A10.0148.100

Apiro® joint with profile 100mm left,
profile 100mm right

Transmission 1:4	Transmission 1:32	Transmission 1:64
RL-A10.0105	RL-A10.0106	RL-A10.107
RL-A10.0111	RL-A10.0112	RL-A10.113
RL-A10.108.□	RL-A10.0109.□	RL-A10.0110.□
RL-A10.0148.□	RL-A10.0149.□	RL-A10.0161.□
RL-A10.0160.□.□	RL-A10.0115.□.□	RL-A10.0161.□.□
RL-A10.0138	RL-A10.0114	RL-A10.0139
RL-A10.0132	RL-A10.0133	RL-A10.0134
RL-A10.0145.□	RL-A10.0146.□	RL-A10.0147.□
RL-A10.0151.□	RL-A10.0152.□	RL-A10.0153.□
RL-A10.0157.□.□	RL-A10.0158.□.□	RL-A10.0159.□.□
RL-A10.0117	RL-A10.0118	RL-A10.0119
RL-A10.0129	RL-A10.0130	RL-A10.0131
RL-A10.0123.□	RL-A10.0124.□	RL-A10.0125.□
RL-A10.0154.□	RL-A10.0155.□	RL-A10.0156.□
RL-A10.0120.□.□	RL-A10.0121.□.□	RL-A10.0122.□.□