

With ball bearing supported lead screw



- Higher speeds
- Higher precision
- Less axial clearance
- Belt drive permits radial loads
- Constant drive torque
- Zero-backlash function available for sizes 08 and 12
- Available accessories  
▶ Page 1503
- Lead screw nuts are available separately ▶ Page 1330
- Available with motor



Order key



Order example

**SHT-BB-12-AWM**

Standard	Ball bearing	Installation size	Shaft material
----------	--------------	-------------------	----------------



Order key

Order example

**SHT-08-ZB-AWM**

Standard	Installation size	Ball bearing, zero-backlash	Shaft material
----------	-------------------	-----------------------------	----------------

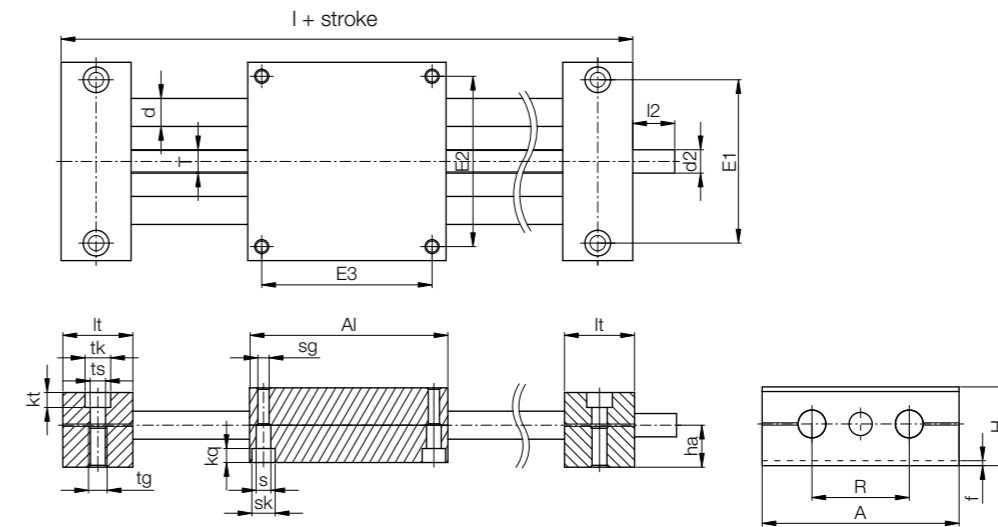


Configure online

▶ [www.igus-asean.com/drylin-sht-configurator](http://www.igus-asean.com/drylin-sht-configurator)

## Technical data

Part No.	Max. stroke length [mm]	Aluminium shaft		Steel shaft		Max. static load capacity	
		Weight [kg]	Additional (per 100mm) [kg]	Weight [kg]	Additional (per 100mm) [kg]	axial [N]	radial [N]
SHTC-08-ZB-AWM	300	0.240	0.05	0.270	0.094	100	360
SHT-08-ZB-AWM-6X2P1	300	0.205	0.05	0.228	0.103	100	400
SHT-08-ZB-AWM-6.35x12,7	300	0.205	0.05	0.228	0.103	100	400
SHT-12-ZB-AWM-10x12	500	1.1	0.1	1.3	0.2	150	600
SHT-BB-12-AWM	500	1.1	0.1	1.3	0.2	350	1,400
SHT-BB-20-AWM	900	3.2	0.3	3.9	0.6	1,000	4,000
SHT-BB-30-AWM	1,000	8.6	0.6	10.9	1.4	1,500	6,000



## Dimensions [mm]

Part No.	A	AI	H	E1	E2	E3	I	R	f	lt	tk	ts
	-0.3	-0.3		±0.15	±0.15	±0.15						
SHTC-08-ZB-AWM	65	38	23	52	55	26	96	32	1.5	15.5	10	5.5
SHT-08-ZB-AWM-6X2P1	65	65	23	52	55	55	96	32	1.5	15.5	10	5.5
SHT-08-ZB-AWM-6.35x12,7	65	65	23	52	55	55	96	32	1.5	15.5	10	5.5
SHT-12-ZB-AWM-10x12	85	85	34	70	73	73	145	42	2	30	11	6.6
SHT-BB-12-AWM	85	85	34	70	73	73	145	42	2	30	11	6.6
SHT-BB-20-AWM	130	130	48	108	115	115	202	72	2	36	15	9.0
SHT-BB-30-AWM	180	180	68	150	158	158	280	96	4	50	20	13.5

Part No.	tg	kt	s	sk	sg	kq	d	T	I2	d2	ha
		±0.1								Standard	
SHTC-08-ZB-AWM	M6	7	4.2	8	M5	4.6	8	6 / 6.35	15	6 / 6.35	13
SHT-08-ZB-AWM-6X2P1	M6	7	4.2	8	M5	4.6	8	Tr6x2	15	Tr6x2 <sup>92)</sup>	13
SHT-08-ZB-AWM-6.35x12,7	M6	7	4.2	8	M5	4.6	8	6.35x12.7	15	6.35 <sup>92)</sup>	13
SHT-12-ZB-AWM-10x12	M8	6.4	6.3	10	M6	6.0	12	10x12	17	10x12 <sup>92)</sup>	18
SHT-BB-12-AWM	M8	6.4	6.3	10	M6	6.0	12	Tr10x2	17	Tr10x2 <sup>92)</sup>	18
SHT-BB-20-AWM	M10	8.6	6.4	11	M8	7.0	20	Tr18x4	26	12h9	23
SHT-BB-30-AWM	M16	12.6	11.0	18	M12	10.6	30	Tr24x5	38	14h9	36

<sup>92)</sup> Lead screw end unmachined