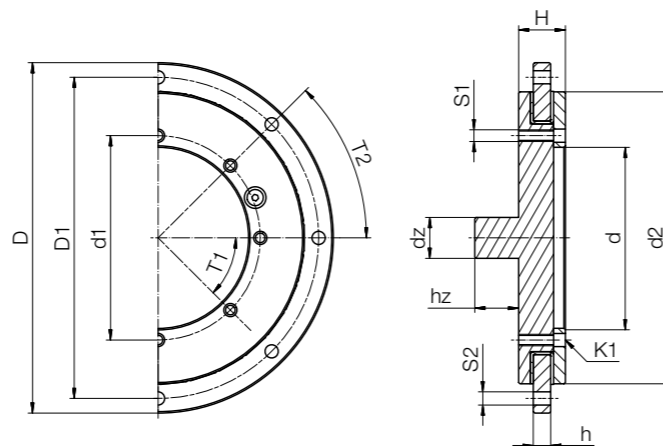




Order key

Type	Size [mm]	Options
PRT-04-	50	-DP
Slewing ring	Design	Inner Ø Drive pin



- Easy replacement and extension: modular construction kit design
- Easy drive pin for couplings
- Adjustable with manual clamps

Dimension [mm]

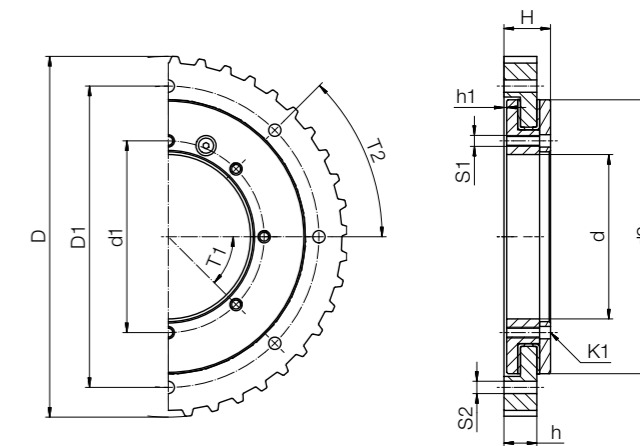
D	D1	d1	d	d2	dz	hz	H	h	T1	T2	S1	S2	K1 for screw	Part No.	
With DrivePin															
110	100	60	52	90	14	h6	15	16	6	8 × 45°	8 × 45°	M4	Ø 4.5	Ø 4.5	PRT-04-50-DP
120	110	70	62	100	14	h6	15	16	6	8 × 45°	8 × 45°	M4	Ø 4.5	Ø 4.5	PRT-04-60-DP
160	150	110	102	140	14	h6	15	16	6	8 × 45°	8 × 45°	M4	Ø 4.5	Ø 4.5	PRT-04-100-DP
210	200	160	152	190	14	h6	15	16	6	16 × 22.5°	16 × 22.5°	M4	Ø 4.5	Ø 4.5	PRT-04-150-DP
260	250	210	202	240	14	h6	15	16	6	16 × 22.5°	16 × 22.5°	M4	Ø 4.5	Ø 4.5	PRT-04-200-DP
360	350	310	302	340	14	h6	15	16	6	16 × 22.5°	16 × 22.5°	M4	Ø 4.5	Ø 4.5	PRT-04-300-DP

Order key

Type	Size [mm]	Options
PRT-04-	50	-TO - ...
Slewing ring	Design	Inner Ø Outer drive ring Tooth profile type



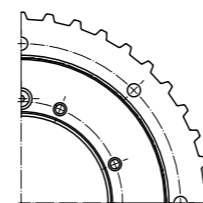
- Easy replacement and extension: modular construction kit design
- Driving the easy way with gear profiles
- Adjustable with manual clamps



Dimension [mm]

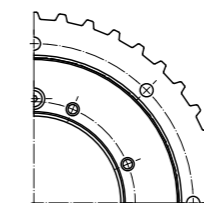
D1	d1	d	d2	H	h1	h	T1	T2	S1	S2	K1 for screw	Part No.
With gear profile												
100	60	50	90	17	1	12	8 × 45°	8 × 45°	M4	Ø 4.5	Ø 4.5	PRT-04-50-TO-...
110	70	60	100	17	1	12	8 × 45°	8 × 45°	M4	Ø 4.5	Ø 4.5	PRT-04-60-TO-...
150	110	100	140	17	1	12	8 × 45°	8 × 45°	M4	Ø 4.5	Ø 4.5	PRT-04-100-TO-...
200	160	150	190	17	1	12	16 × 22.5°	16 × 22.5°	M4	Ø 4.5	Ø 4.5	PRT-04-150-TO-...
250	210	200	240	17	1	12	16 × 22.5°	16 × 22.5°	M4	Ø 4.5	Ø 4.5	PRT-04-200-TO-...
350	310	300	340	17	1	12	16 × 22.5°	16 × 22.5°	M4	Ø 4.5	Ø 4.5	PRT-04-300-TO-...

Toothed belt profile AT10



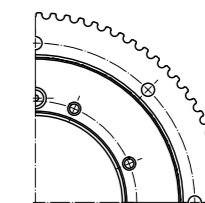
D	z	Part No. add-on
118.9	38	...-AT10
131.7	42	...-AT10
169.9	54	...-AT10
220.8	70	...-AT10
271.7	86	...-AT10
370.4	117	...-AT10

Toothed belt profile T10



D	z	Part No. add-on
118.9	38	...-T10
131.7	42	...-T10
169.9	54	...-T10
220.8	70	...-T10
271.7	86	...-T10
370.4	117	...-T10

Toothed belt profile HTD5M



D	z	Part No. add-on
120	76	...-HTD5M
131	83	...-HTD5M
170.9	108	...-HTD5M
221.8	140	...-HTD5M
271.2	171	...-HTD5M
371.4	234	...-HTD5M