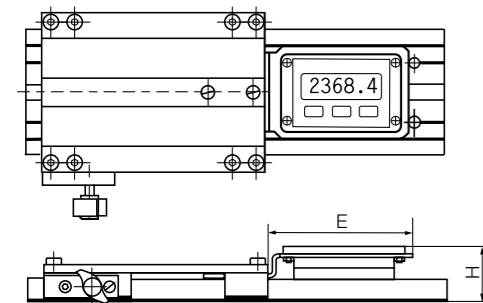


WKM2, series 10 and 20



Order key

Type	Design
------	--------

WKM2 -10-80-15-01-R

drylin® W measuring system	Installation size	Rail width	Carriage length	Number of carriages	Display right-mounted
----------------------------	-------------------	------------	-----------------	---------------------	-----------------------

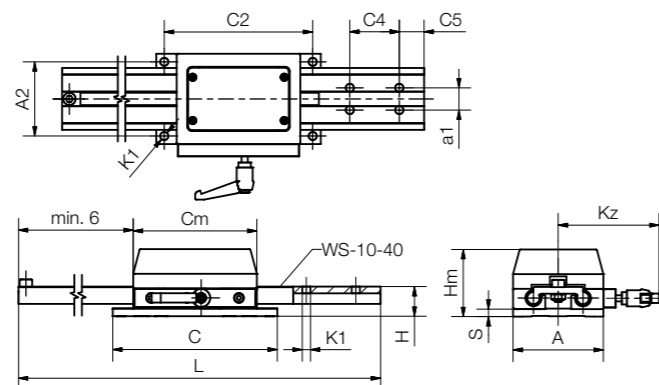
- Lockable carriage
- Display optionally to the right (R) or left (L) of the guide carriage
- Max. rail length 4,000mm (effective measuring length max. 3,757mm)
- Technical data ► Page 1191

Dimensions [mm]

Part No.	drylin® rail profile ⁸⁹⁾	H	E
WKM2-10-80-15-01-L	WS-10-80	36	93
WKM2-10-80-15-01-R	WS-10-80	36	93
WKM2-20-80-15-01-L	WS-20-80	40	93
WKM2-20-80-15-01-R	WS-20-80	40	93

⁸⁹⁾ Profile dimensions ► Page 960

WKM2, series 11



Dimensions [mm]

Part No.	L	C4	C5	a1	C2	A2	K1	C	A	H	S	Cm	Hm	kz
WKM2-11-40	Max. 2,000	40	20	18	120	60	6.6	133	73	24	6	100	54	82



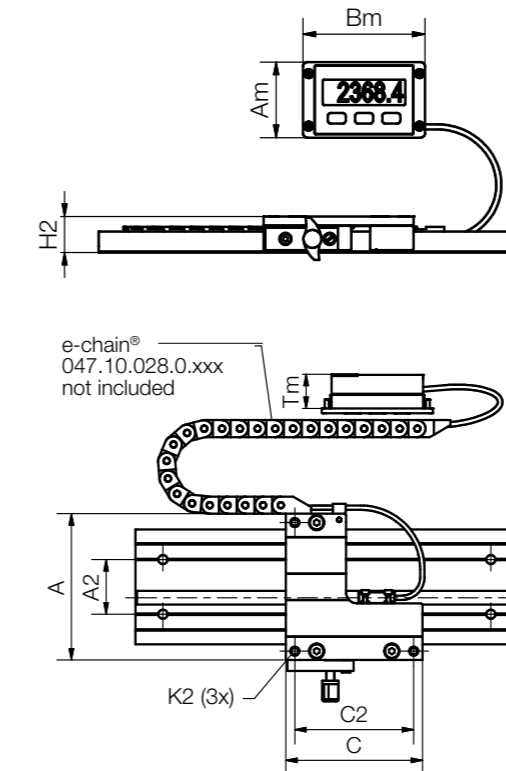
Order key

Type	Size
------	------

WKMEDR - 10-80-10-0,3-01-2400

drylin® W measuring system	External Display Assembly right	Installation size	Rail width	Carriage length	Cable length ¹⁶⁵⁾	One measuring carriage per rail	Rail length [mm]
----------------------------	---------------------------------	-------------------	------------	-----------------	------------------------------	---------------------------------	------------------

- Technical data ► Page 1190



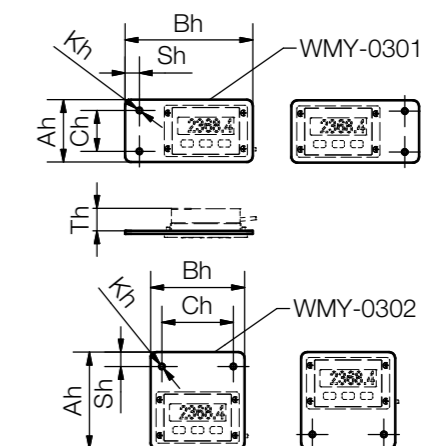
Options:

R: Assembly to the right of the guide carriage

L: Assembly to the left of the guide carriage

¹⁶⁵⁾ Cable length:

Cable length between sensor and display [m] (0.1/0.2/0.3 up to max. 2.0)



Assembly options of the external display

Dimensions [mm]

Part No.	A	C	A2	C2	K2	H2	Am	Bm	Tm
WKMED-□ ⁹⁰⁾ -10-80-10	107	100	94	87	M6	±0.17 24	82	51	25
WKMED-□ ²⁹⁰⁾ -10-80-10	107	100	94	87	M6	24	82	51	25

⁹⁰⁾ Suitable for assembly on the right (R) or left (L)

Bracket dimensions [mm]

Part No.	Ah	Bh	Ch	Sh	Kh	Th
WMY-0301	61	125	40	14	Ø5.4	22
WMY-0302	94.5	92	70	14	Ø5.4	22